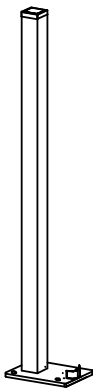

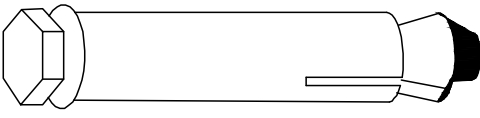
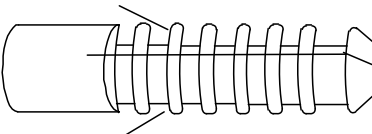
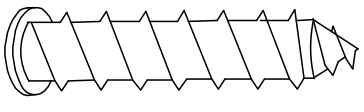

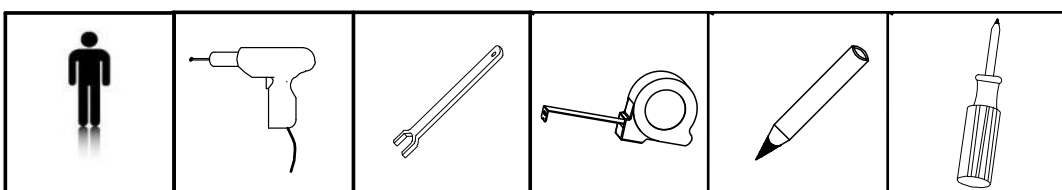
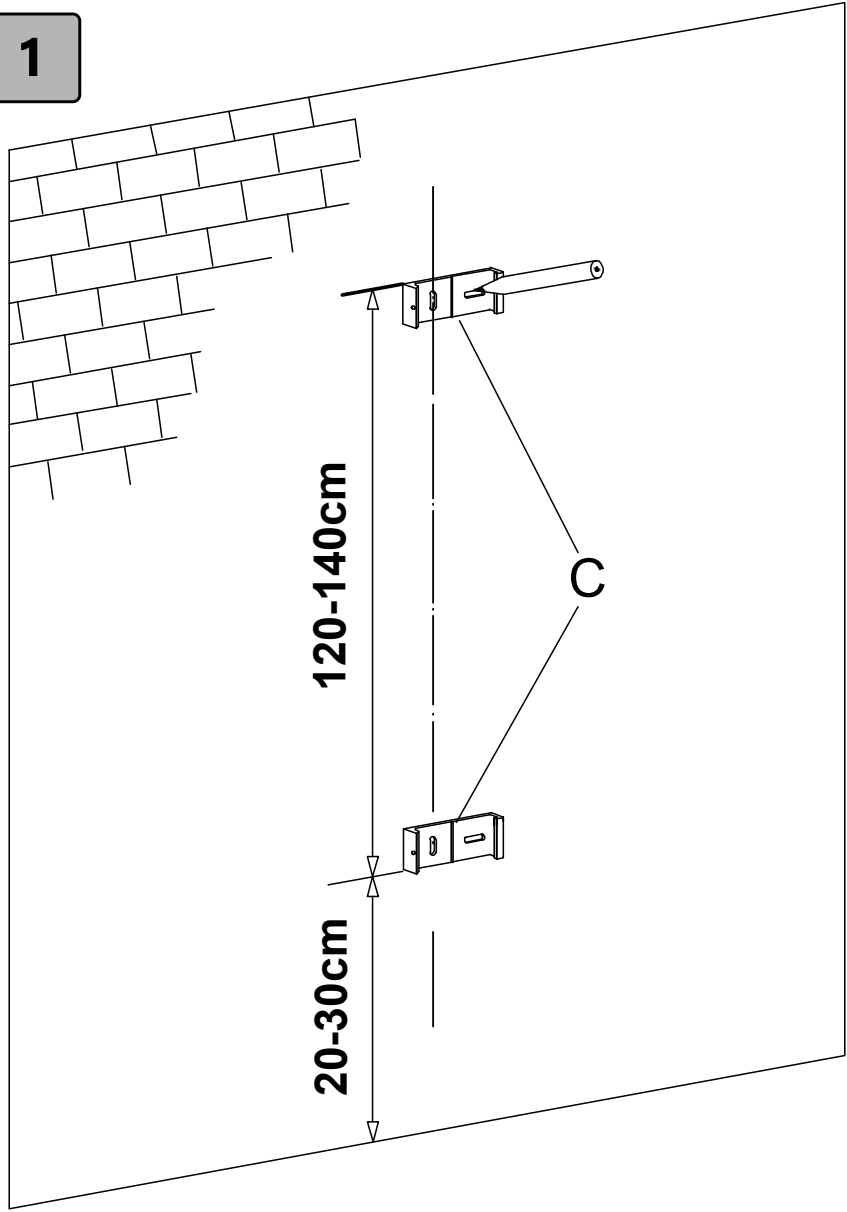
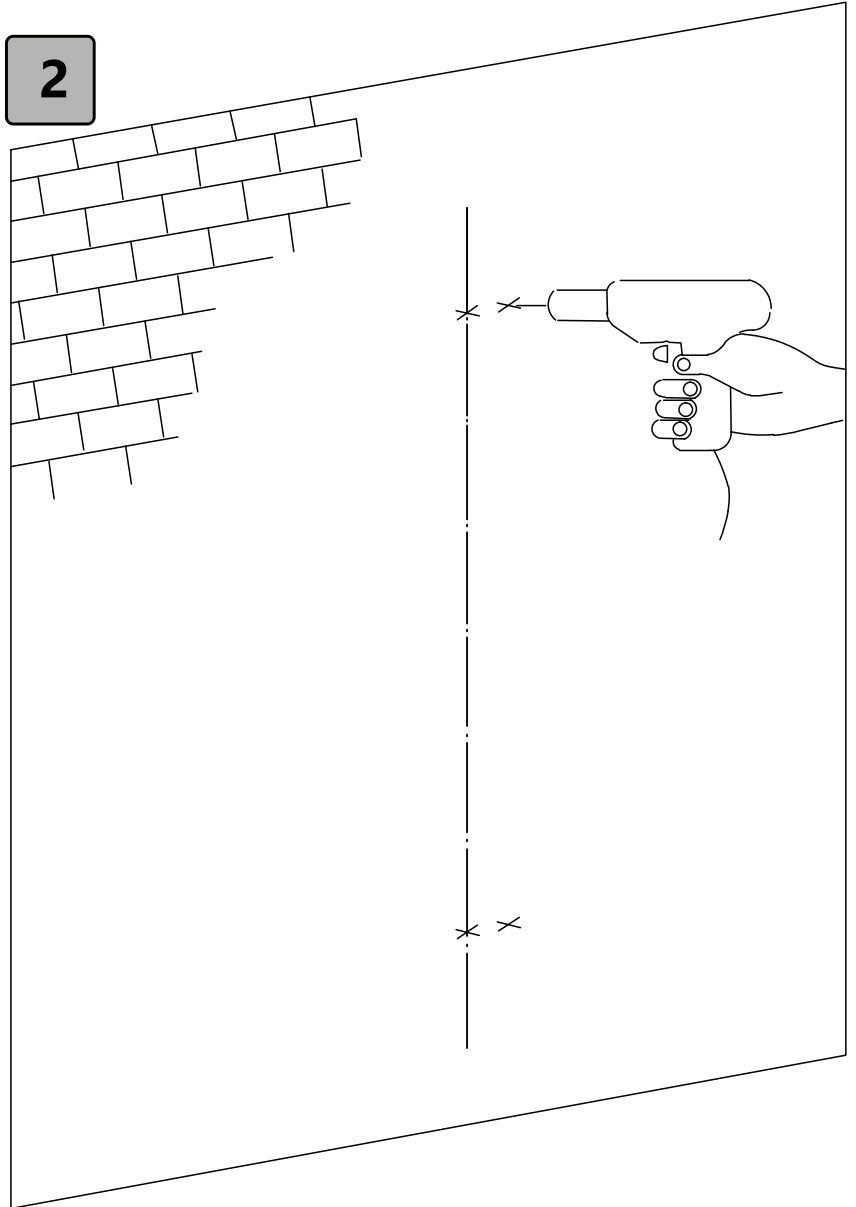
 <p>Ax1</p>	 <p>Bx1</p>	 <p>Cx2</p>
 <p>M8*60mm</p> <p>Dx4</p>	 <p>Ex4</p>	
 <p>ST5*30mm</p> <p>Fx4</p>	 <p>Gx1</p>	



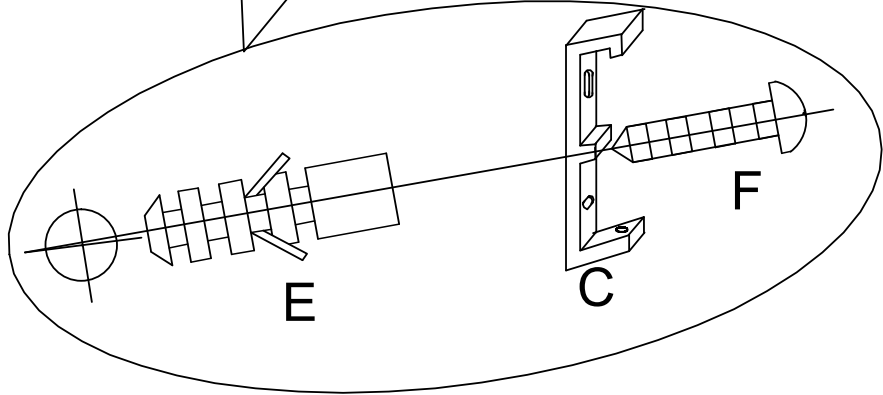
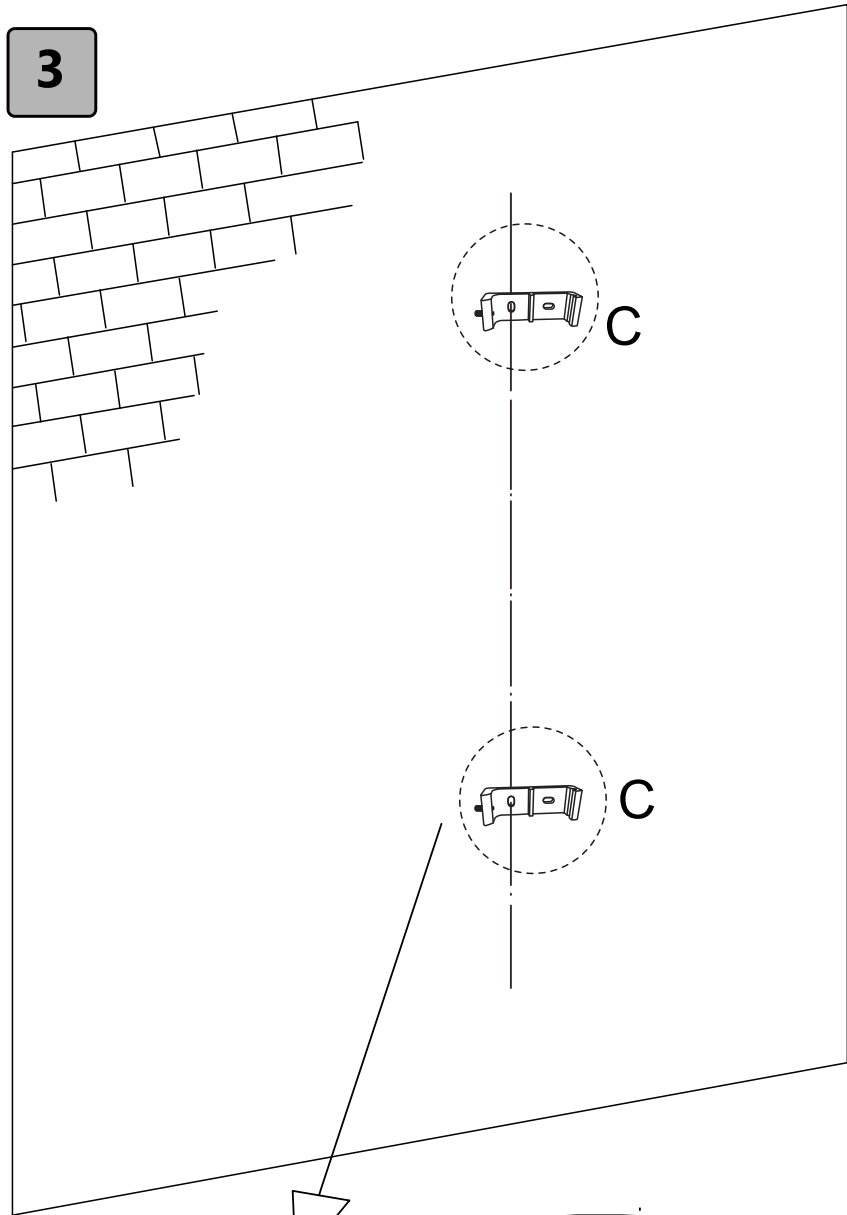
1



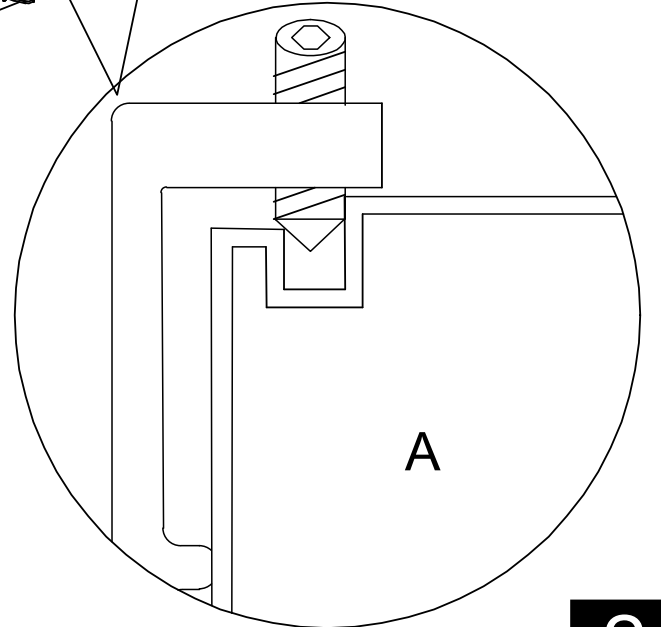
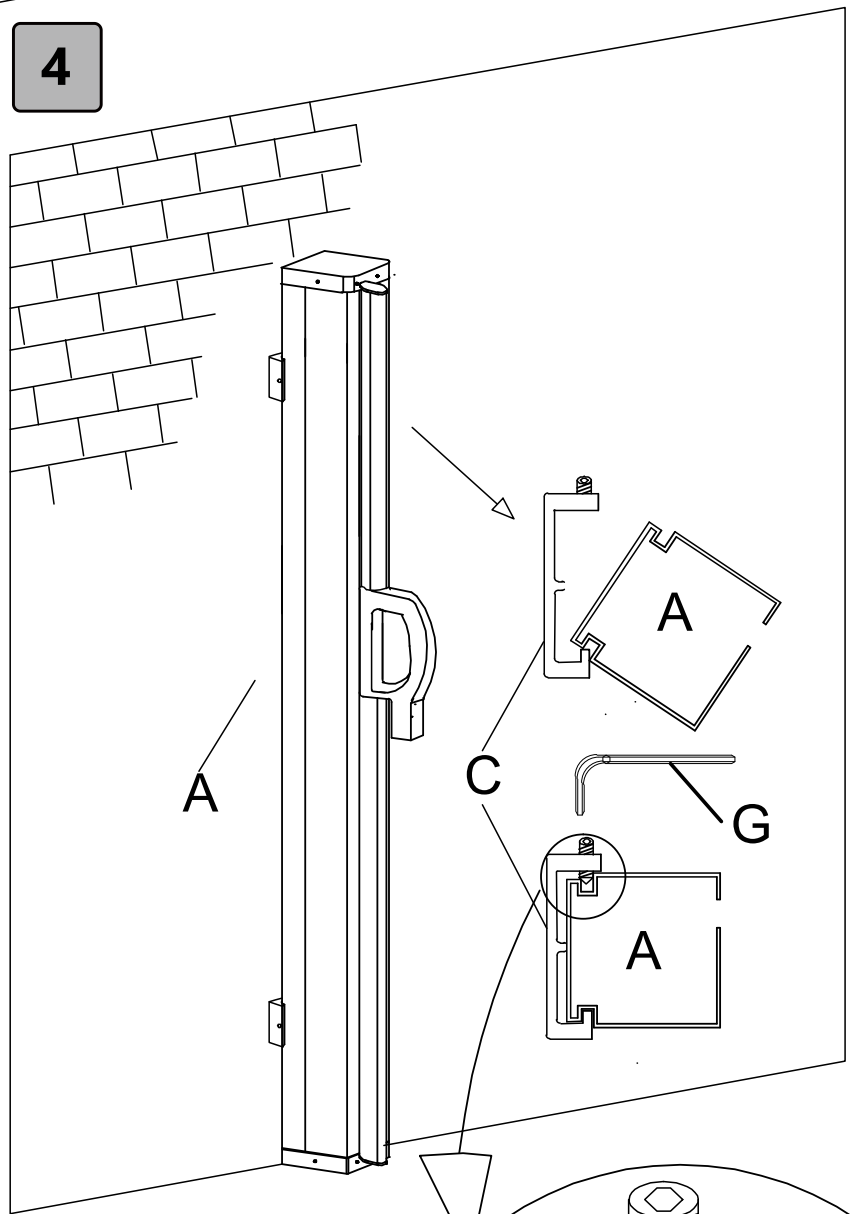
2



3

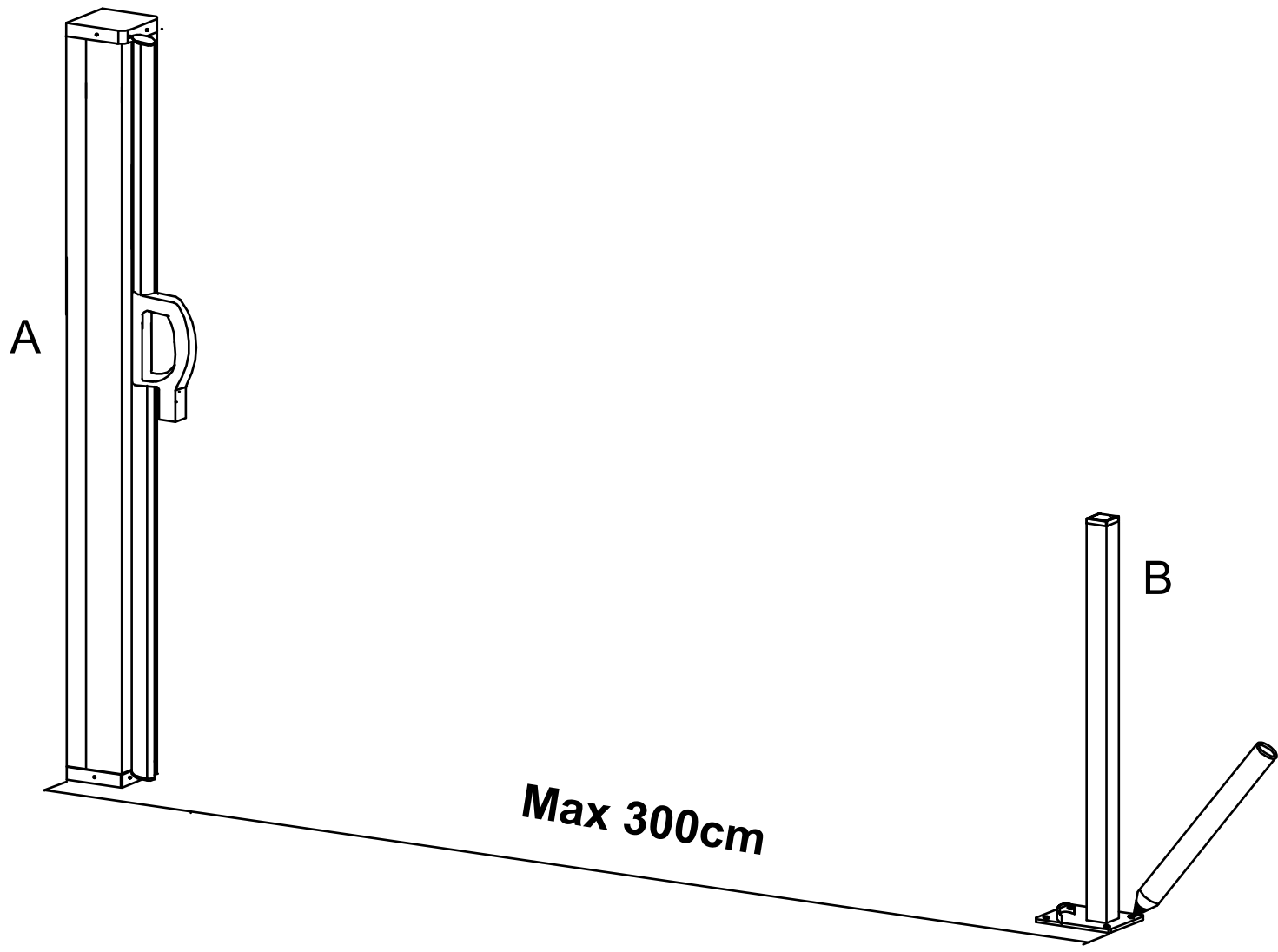


4

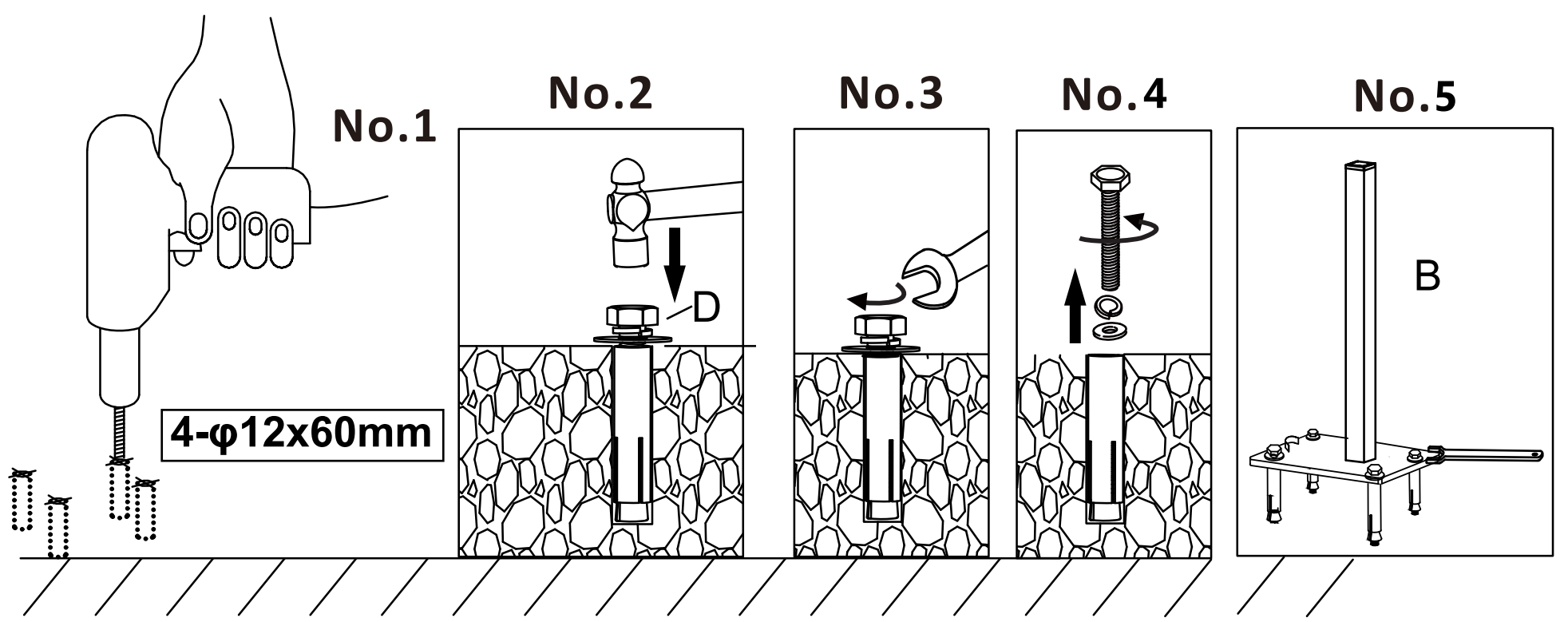


2

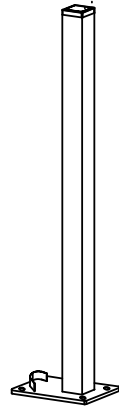
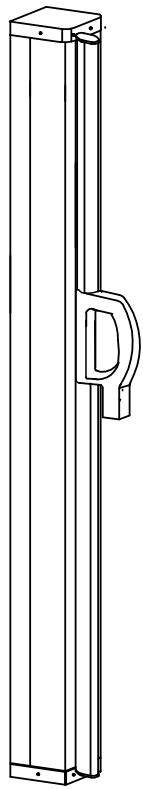
5



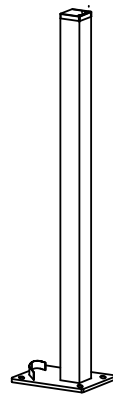
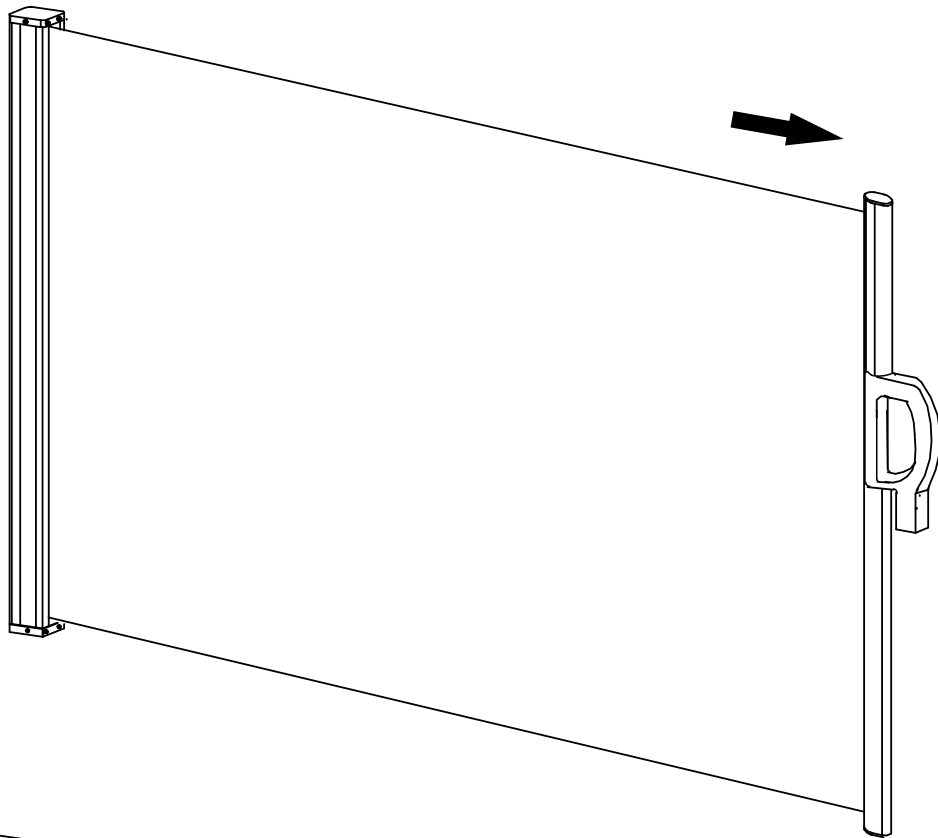
6



7



8



9

