



HCAA-SC101MC(F)-E23-2i

- 1U Micro with 2 internal 3.5 HDD bays + 2 x 2.5" bays.
- Short depth (25cm) space saving 19" rackmount.
- Intel® Xeon 3rd Gen E23xx-series with ECC support.
- Available in front or rear interface version.
- IPMI interface for remote management.
- Suitable as management, recording or SOHO server.



Product Description:

Hawc Appliance Solutions is a line of business servers and stations for a variety of high availability and performing applications. Each component in the appliance line offers dedicated functionality and services, tailor fit to the application with redundancy, ruggedness and fast serviceability in mind. Hawc appliance solutions are built on proven and power efficient technology with long term availability. Including the integrated remote management and fast serviceability reflect in cost cutting services and a lower total cost of ownership.

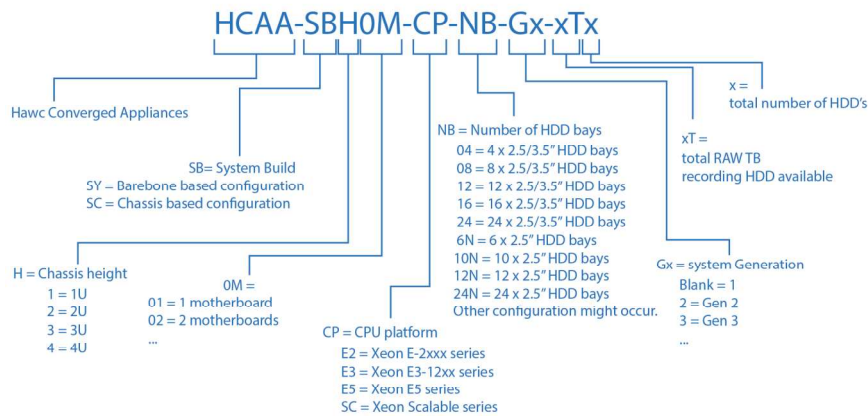
The HCAA-SC101MC(F)-E23-2i is a single node appliance which offers flexible and scalable performance by supporting 1 Intel® Xeon 3rd Generation E-23xx® CPU and up to 64 GB DDR4 ECC DRAM. The HCAA-SC101MC(F)-E23-2i comes in 2 installation variations: the conventional way with all interface facing to the rear of the system or with all interfaces in the front of the system. This allows the system to be mounted in small and compact patches cabinets with easyfront access and patching to switches and routers.

2 double Internal SATA storage bays are controlled by the Intel SATA controller with RAID 0/1 support over two 3.5" HDD's. Meanwhile 2 additional SSD's could be installed as well. By use of optional conversion adapters it is possible to install 4 SSD's with up to RAID5 support. Only quality 24/7 surveillance, NAS or Enterprise grade HDD's are used in our systems to offer the reliability where Hawc stands for. All Hawc systems are pre-staged and tested delivered to the market.

Model name	HCAA-SC101MC(F)-E23-2i
Form factor	1U 19" rack server
# of nodes	1
CPU	Intel 3rd gen Xeon E-23xx CPU series
# of CPU sockets	1
Chipset	Intel C252
Memory type support	DDR4 3200MHz ECC DIMM
# of memory slots and channels/CPU	2/2
Maximum memory capacity	64GB
Default OS drive type	1 x M.2 NVMe
OS RAID controller and configuration	Intel RSTe - non-RAID
OS Storage size	Default 240GB Enterprise SSD's, up to 7680GB
OS Recovery	1 x M.2 NVMe
# Free M.2 NVMe slots	0
# and type of Storage bays	2 x 3.5" + 2 x 2.5" internal bay + optional adapter mode
Storage Drive types	Surveillance, NAS and Enterprise SATA/SAS HDD, SATA/SAS SSD's
Default Storage RAID Controllers	Intel VROC
Default Storage RAID configurations	RAID 1
Optional Storage RAID Controllers	None
Optional Storage RAID configurations	RAID 0/1/5
Onboard graphics controller	Aspeed AST2600
Onboard Graphics interface	1 x VGA
Type of graphics card support	None
# Graphic card support	0
LAN interface onboard	2 x 1Gb LAN + dedicated IPMI interface
LAN options	None
Wireless communication	None
Front Communication interfaces	2 x USB 3.0 (in case of rear IO)
Rear Communication interfaces	2 x USB 3.2 Gen2 Type-A, 2 x USB 2.0 (in case of rear-IO)
Side communication interfaces	None
Audio interfaces rear	None
Audio interfaces front or side	None
# Free PCI-e x1/x2/x4/x8/x16 slots	0/0/0/0/0
# Free PCI 32-bit slots	0
Default Operating system	Windows 10 IoT Enterprise
Operating Systems Support	Windows 11 IoT, Windows 10/11 Professional, Windows Server 2019/2022 Editions, Various Linux distributions, VHawc
Monitoring & Alarming	IPMI 2.0, HDD/SSD monitoring and alarming
Remote management	IPMI on dedicated 1Gb port, Teamviewer host, Redfish API
Physical Security	None
Software Security	TPM 2.0
Chassis FAN's	3 x 40 mm chassis FAN
Noise production	>35 dB
Power input	100-240 VAC, 50~60Hz
Power supply type and power	Single power supply 265W Bronze Power Efficiency
Optional Power Supply	None
Power consumption (average - max)	See detailed table
Dimensions (WxHxD)	19" Rack mount 250 mm deep
Weight (minimal configuration)	4kg
Mounting	Optional telescopic rails
Operating /Storage temperature	10°C ~ 35°C/-40°C ~ 70°C
Operating /storage relative humidity	10% to 85%/10% to 95%

PN's and options

HCAA-SC101MC-E23-2i	1U 2-Bay, Core i3, 16GB DRAM, Win10 IoT, IPMI, No HDD, Intel RAID, Rear IO access
HCAA-SC101MCF-E23-2i	1U 2-Bay, Core i3, 16GB DRAM, Win10 IoT, IPMI, No HDD, Intel RAID, front IO access
CPU	
HCPU-i3G64-DOW	CPU Downgrade from i3-10100 to Pentium G6400 !!! Factory upgrade only!!!
HCPU-i336-UPG	CPU Upgrade from i3-10100 to E-2336 !!! Factory upgrade only!!!
Memory	
HMEM-DDR4E-32G2-UPG	32GB DDR4 ECC DRAM upgrade, comes in 2 x 16GB !!! Factory upgrade only!!!
HMEM-DDR4E-64G2-UPG	64GB DDR4 ECC DRAM upgrade, comes in 2 x 32GB !!! Factory upgrade only!!!
OS upgrade	
HW10-WS2022-UP	Upgrade from Windows 10 IoT to Server 2022 IoT STD



* PCIe: suggests optional expansion with PCIe cards

* Intel and Xeon are trademarks of Intel Corporation or its subsidiaries in the U.S. and/or other countries.

* LSI Logic, the LSI Logic logo design, FlexRAID, MegaRAID, MegaRAID Manager, Power Console Plus, and WebBIOS are trademarks or registered trademarks of LSI Logic Corporation.

Please contact Hawc or your Hawc-representative for additional information about the specifications, features, options, benchmarks, configurations, appliance software or any other inquiry.

All information is subject to change without prior notice and any legal constraints against Hawc

For any further information please contact sales@hawc.be

Extra Info

Datasheet

Benchmarking results

Specific benchmarking and test results can be found on our website in www.hawc-servers.com.
You can find a overview from the performed tests done on this product the bellow list.

Video camera benchmarks	Tests available
Storage throughput benchmarks	Tests available
Camera bitrate benchmarks	Tests available
Burn-in test results	Tests available

Power consumption

Average and Maximum power consumption on some configurations, for illustrative purposes only. For more detailed information please contact Hawc BV or your Hawc sales representative.

Xeon i3-10100F + 16GB RAM + 2 SSD	30W Avg/ 70W Max
Xeon E-2336 + 16GB RAM + 2 SSD + 2 x 10TB SATA	55W Avg/ 100W Max

2 HDD's come by default in RAID1.

3 or more HDD's come by default in RAID5.

RAID Stripes on Intel RAID: 128KB

RAID Stripes on LSI RAID: 512KB

HDD's and storage volumes are by default formatted in 64KB NTFS.

In the box

1 x HCAA-SC101MC(F)-E23-2i
1 x Power cord
4 x cage nut sets

Please contact Hawc or your Hawc-representative for additional information about the specifications, features, options, benchmarks, configurations, appliance software or any other inquiry.

All information is subject to change without prior notice and any legal constrains against Hawc

For any further information please contact sales@hawc.be