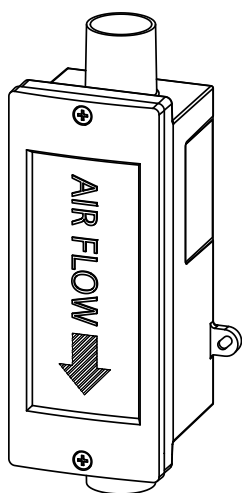


SIEMENS



FDAZ292

ASD filter box

Mounting

Maintenance

Imprint

Technical specifications and availability subject to change without notice.

Transmittal, reproduction, dissemination and/or editing of this document as well as utilization of its contents and communication thereof to others without express authorization are prohibited. Offenders will be held liable for payment of damages. All rights created by patent grant or registration of a utility model or design patent are reserved.

Issued by:
Siemens Switzerland Ltd.
Smart Infrastructure
Global Headquarters
Theilerstrasse 1a
CH-6300 Zug
Tel. +41 58 724-2424
www.siemens.com/buildingtechnologies

Edition: 2022-07-19
Document ID: A6V10877841_en--_c

© Siemens Switzerland Ltd, 2016

Table of contents

1	About this document	5
1.1	Applicable documents	7
1.2	Revision history	7
2	Details for ordering	8
3	Mounting	9
3.1	Installation site.....	9
3.2	ASD filter box	10
4	Maintenance.....	11
5	Specifications	13
5.1	Technical data	13
5.2	Dimensions.....	14
5.3	Drill pattern	14
5.4	Environmental compatibility and disposal	15
	Index	16

1 About this document

Goal and purpose

This document contains all information about the ASD filter box FDAZ292.

Following the instructions consistently will ensure that the product can be used safely and without any problems.

Description

The ASD filter box FDAZ292 is used in environments with a high dust concentration. It is installed in the pipe system upstream of the aspirating smoke detectors FDA to provide protection against contamination. The ASD filter box filters dust and dirt particles out of the pipe system before they can get to the aspirating smoke detectors. This increases the service life of the aspirating smoke detectors.

The ASD filter box comprises a plastic housing (ABS) and an ASD filter set with three separate filters with pores of different sizes (coarse, medium, fine).

Intended use

The ASD filter box FDAZ292 is only permitted for use to filter dust and dirt particles out of the pipe system for the aspirating smoke detectors FDA.

Target groups

The information in this document is intended for the following target groups:

Target group	Activity	Qualification
Product Manager	<ul style="list-style-type: none"> Is responsible for information passing between the manufacturer and regional company. Coordinates the flow of information between the individual groups of people involved in a project. 	<ul style="list-style-type: none"> Has obtained suitable specialist training for the function and for the products. Has attended the training courses for Product Managers.
Installation personnel	<ul style="list-style-type: none"> Assembles and installs the product components at the place of installation. Carries out a function check following installation. 	<ul style="list-style-type: none"> Has received specialist training in the area of building installation technology or electrical installations.
Maintenance personnel	<ul style="list-style-type: none"> Carries out all maintenance work. Checks that the products are in perfect working order. Searches for and corrects malfunctions. 	<ul style="list-style-type: none"> Has obtained suitable specialist training for the function and for the products.

Source language and reference document

- The source/original language of this document is German (de).
- The reference version of this document is the international version in English. The international version is not localized.

Document identification

The document ID is structured as follows:

A6Vxxxxxxxx_aaAA_vv

A6Vxxxxxxxx_--AA_vv

A6Vxxxxxxxx_aa--_vv

A6Vxxxxxxxx_----_vv

ID code ¹	Description
A6Vxxxxxxxx	STEP-ID generated by the STEP system
_	Separator
aa	Language abbreviation in accordance with ISO 639-1
AA	Country abbreviation in accordance with ISO-3166-1
--	Multilingual or international
vv	Document version, single or double digit: a, b, ...z; aa, ab, ...az; ba, bb, ...bz; etc.

¹ Some documents have different ID codes that are generated by an earlier system. There are also documents with up-to-date ID codes along with additional features in the designation.

ID code	Examples
ID_languageCOUNTRY_version -- = multilingual or international	A6V10215123_deDE_a A6V10215123_en--_a A6V10315123_----_a

Date format

The date format in the document corresponds to the recommendation of international standard ISO 8601 (format YYYY-MM-DD).

Presentation conventions

Text markups

Special text markups are used as follows in this document:

▷	Prerequisite for an instruction telling you what to do
1.	Instruction with at least two steps
2.	
◆	Instruction with one step
–	Variant, option, or detailed information on an instruction
⇒	Interim result of an instruction
⇒	Final result of an instruction
•	Lists
[→ X]	Reference to a page number
'Text'	Quote, exact match
<Button>	Identification of buttons
>	Indicates a link and identifies steps in a sequence, e.g., 'Menu bar' > 'Help' > 'Help topics'
↑ Text	Identifies a glossary entry

Additional information and tips



The 'i' symbol identifies additional information and tips to simplify the procedure.

1.1 Applicable documents

Document ID	Title
A6V10345654	Installation, Mounting Aspirating smoke detector FDA241, FDA221
A6V10334410	Technical manual Aspirating smoke detector FDA241, FDA221
A6V10334435	Planning, Installation ASD Pipe system
A6V11783043	Technical manual Aspirating smoke detector FDA261, FDA262
A6V11783970	Mounting, Installation Aspirating smoke detector FDA261, FDA262
A6V11783979	Planning, Installation ASD Pipe system

1.2 Revision history

The version of the reference document is valid for all languages into which the reference document is translated.



The first edition of the document into a language and/or for a country might have the version 'd', for example, instead of 'a', if the document has already reached this publication version.

The table below shows this document's revision history:

Version	Edition date	Brief description
c	2020-07-19	'Applicable documents [→ 7]': Added: A6V11783043, A6V11783970, A6V11783979 'ASD filter box [→ 10]': Dimension 194 removed
b	2020-04-07	Chapter 'Installation site [→ 9]': Installation dimensions changed
a	2016-09-29	First edition

2 Details for ordering

Type	Order number	Designation
FDAZ292	S54333-C92-A1	ASD filter box
FDAZ292-AA	S54333-S91-A1	ASD filter set

Scope of delivery

ASD filter box incl. ASD filter set with three filters with pores of different sizes (coarse, medium, fine).

The ASD filter set is available to order as a spare part.

3 Mounting

3.1 Installation site

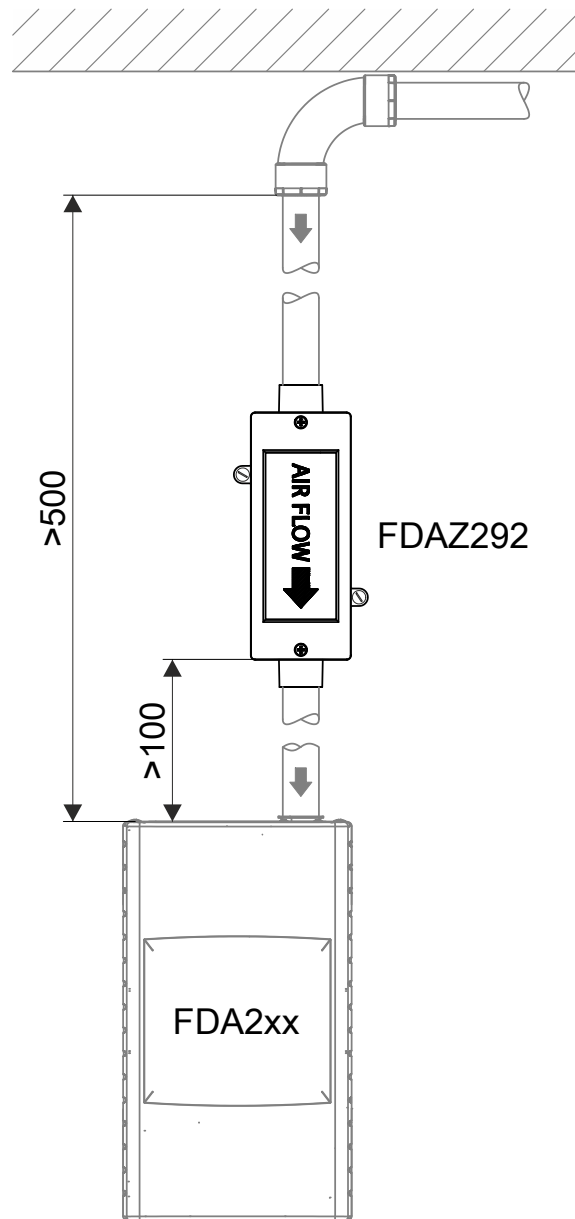
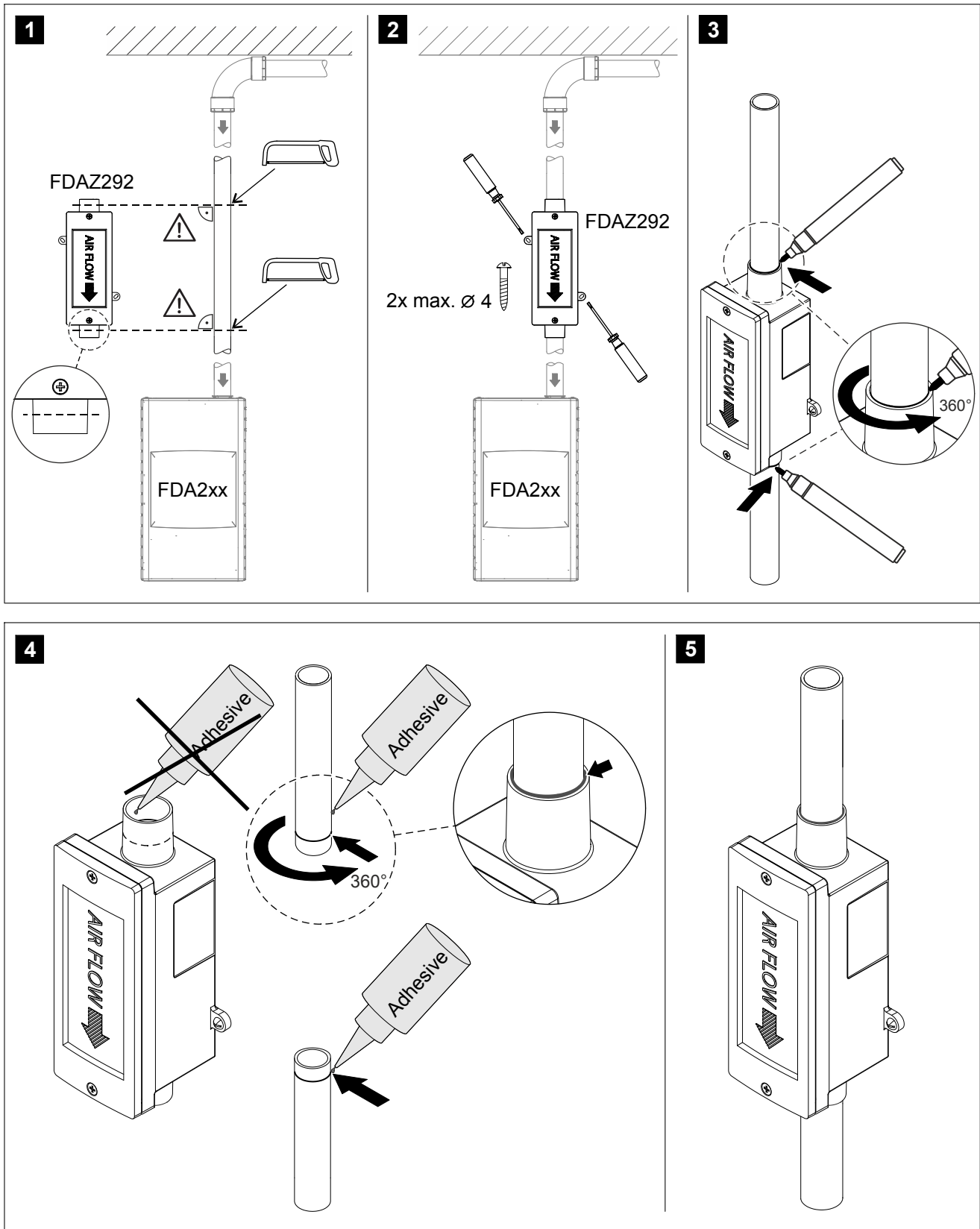


Fig. 1: Installation site

3.2 ASD filter box



4 Maintenance

The intervals for replacing the ASD filter set are determined by the dust concentration in the ambient air.

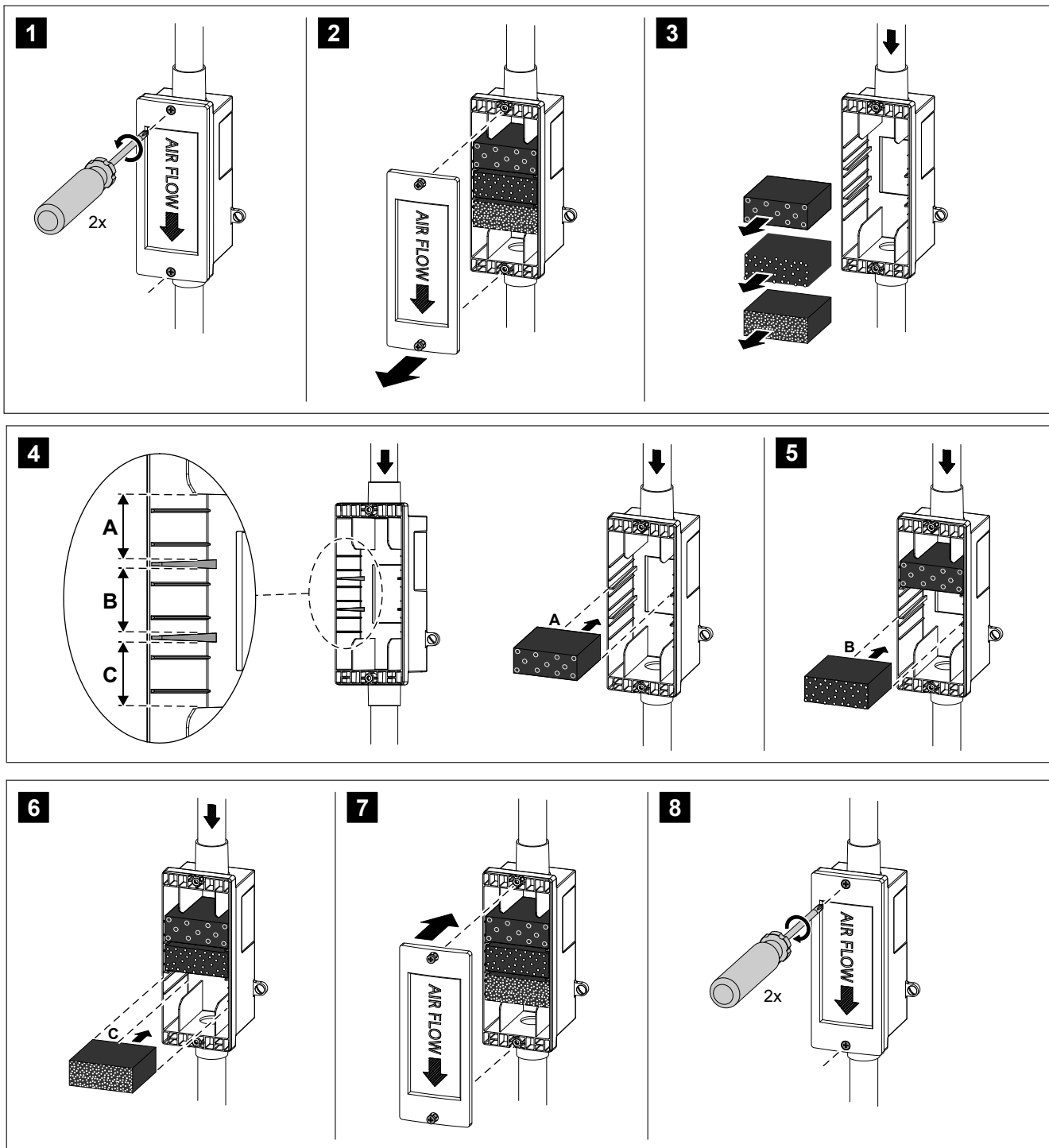
Maintenance intervals

- If the air is heavily contaminated, as is the case in cement works or recycling plants, for example: every two to three months
- In the case of average air contamination, as is the case in a production facility or a lift shaft, for example: every six months
- In air that is only slightly or occasionally contaminated: every twelve months



Use the ASD filter set with all three foams. To optimize transport time, the two foams with coarse and medium-sized pores are sufficient.

See also 'Details for ordering [→ 8]'.

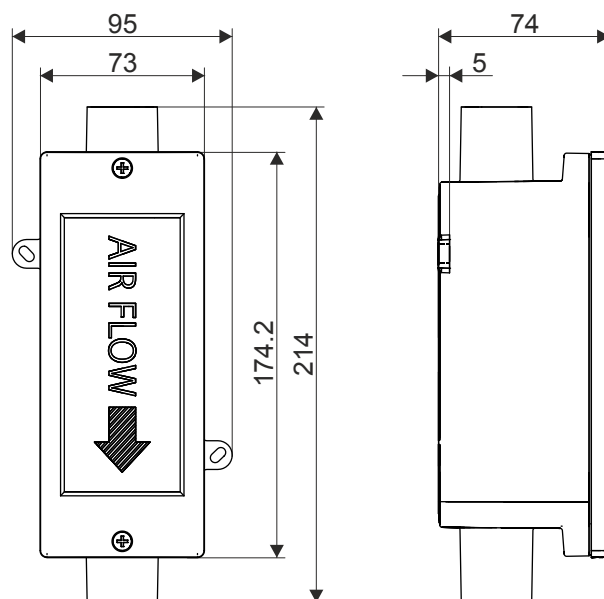


5 Specifications

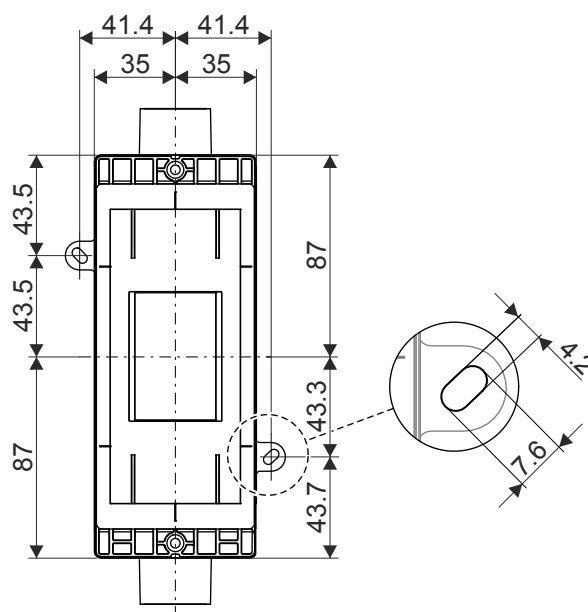
5.1 Technical data

Dimensions (W x H x D)	95 x 214 x 74 mm
Air humidity	5...95 % rel.
Operating temperature	-20...+60 °C
Storage temperature	-30...+70 °C
Protection category	IP54
Weight [kg]	
<ul style="list-style-type: none"> ● ASD filter box ● ASD filter set 	<p>0.220</p> <p>0.009</p>
Material	ABS plastic (acrylonitrile-butadiene-styrene)
Color	~RAL 9010 pure white

5.2 Dimensions



5.3 Drill pattern



5.4 Environmental compatibility and disposal



This equipment is manufactured using materials and procedures which comply with current environmental protection standards as best as possible. More specifically, the following measures have been undertaken:

- Use of reusable materials
- Use of halogen-free plastics
- Electronic parts and synthetic materials can be separated

Larger plastic parts are labeled according to ISO 11469 and ISO 1043. The plastics can be separated and recycled on this basis.



Electronic parts and batteries must not be disposed of with domestic waste.

- Take electronic parts and batteries to local collection points or recycling centers.
- Contact local authorities for more information.
- Observe national requirements for disposing of electronic parts and batteries.

Index

A

ASD filter box	5
ASD filter set	5

D

Details for ordering	8
Disposal	15

E

Environmental compatibility	15
-----------------------------------	----

I

Intended use	5
--------------------	---

M

Maintenance intervals	11
-----------------------------	----

O

Original language	5
-------------------------	---

R

Recycling	15
-----------------	----

S

Scope of delivery	8
Source language	5
Spare part	8

Issued by
Siemens Switzerland Ltd
Smart Infrastructure
Global Headquarters
Theilerstrasse 1a
CH-6300 Zug
+41 58 724 2424
www.siemens.com/buildingtechnologies

© Siemens Switzerland Ltd, 2016
Technical specifications and availability subject to change without notice.