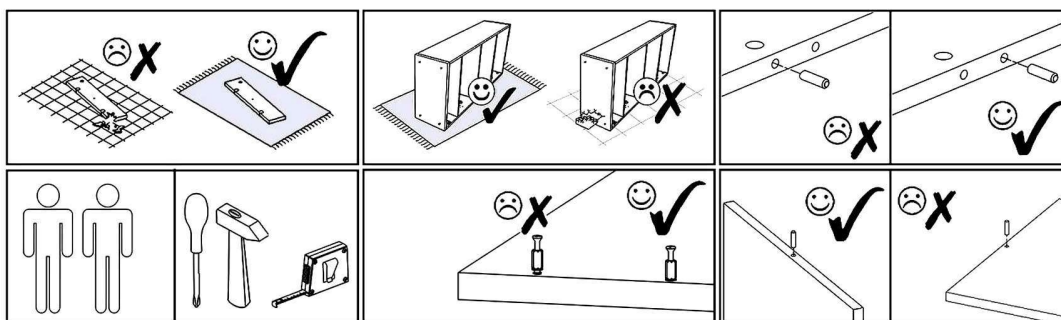
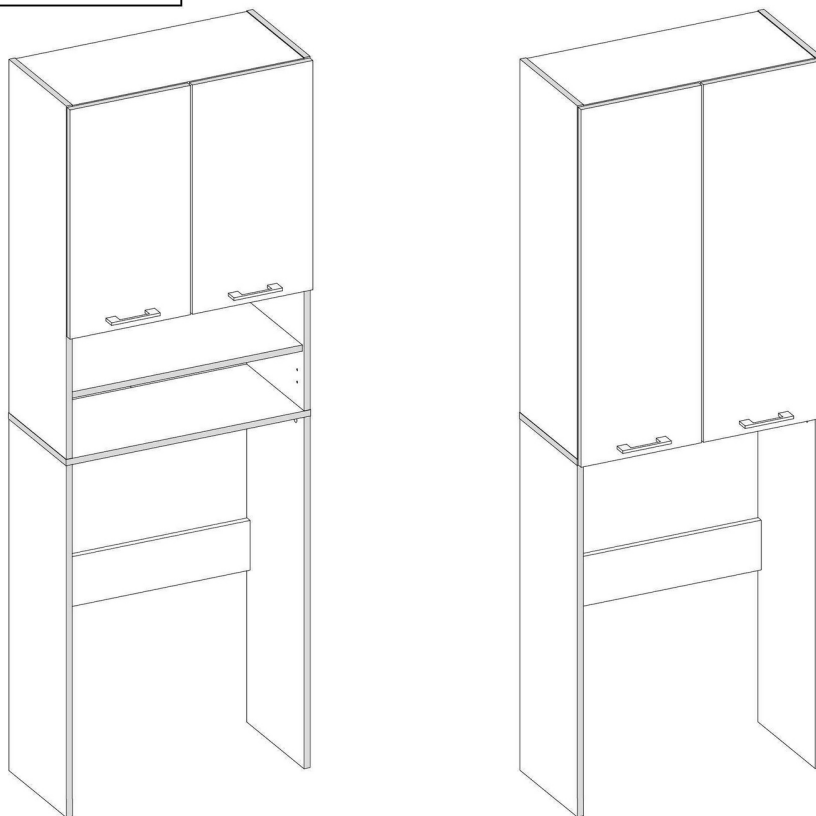


POLA_DD_DK

PRODUCTION DATE

PACKING CODE

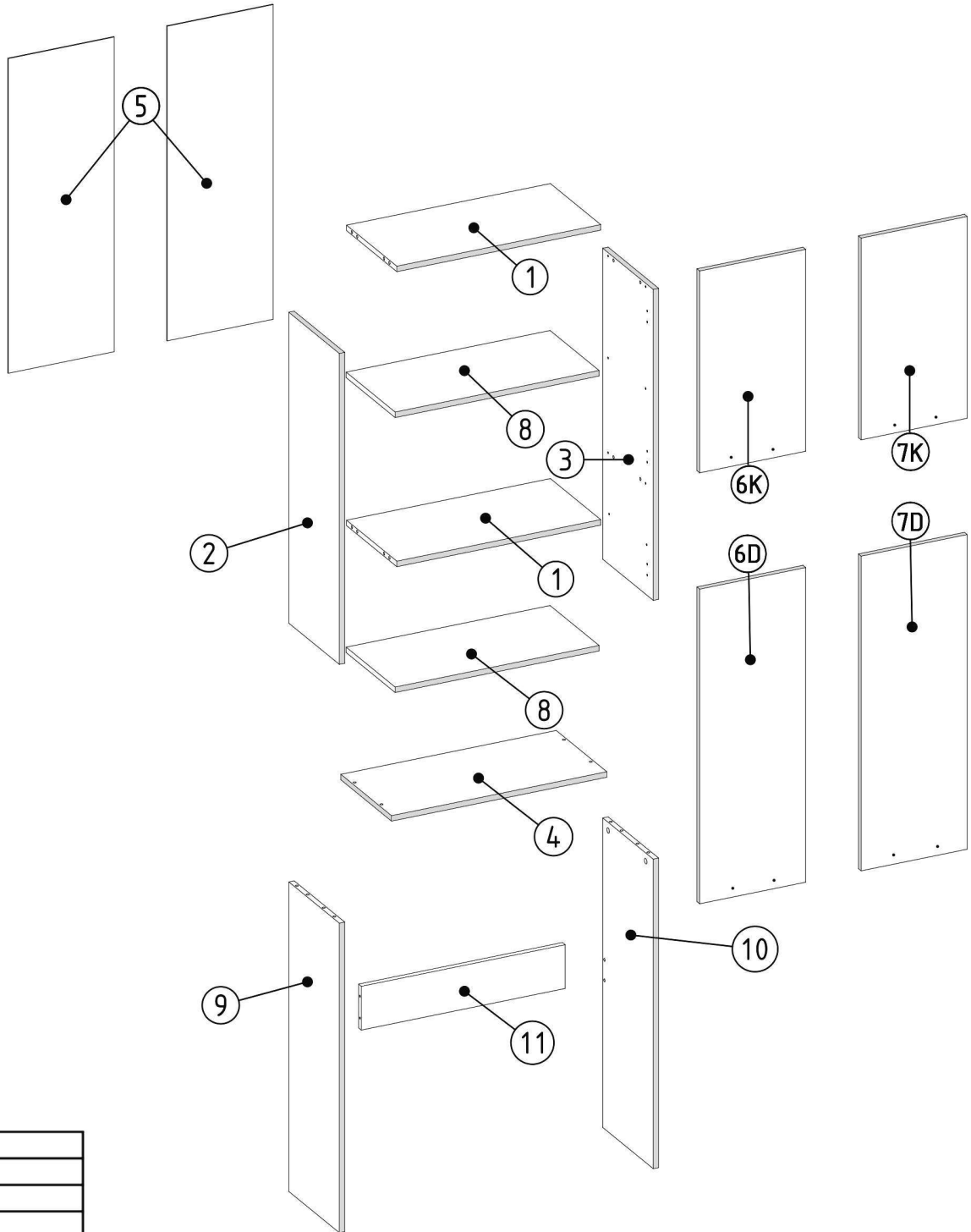


| | | | | | | | | | | | | | | | |
|-----------------------------------|-------------------------------------|-------------------------------------|-----------------------------------|----------------------------------|------------------------------------|------------------------------------|----------------------------------|-------------------------------------|-----------------------------------|-----------------------------------|-------------------------------------|----------------------------|------------------------------|----------------------|----------------------------|
| B3 B ø7-8/5mm x4 | B3 S/A ø7-8/5mm x4 | B3 Ant ø7-8/5mm x4 | B3 K ø7-8/5mm x4 | B2 B ø12/4mm x4 | B2 Ant ø12/4mm x4 | B2 S/A ø12/4mm x4 | B2 K ø12/4mm x4 | B1 Ant ø17/4mm x12 | B1 B ø17/4mm x12 | B1 K ø17/4mm x12 | B1 S/A ø17/4mm x12 | | | | |
| N1 L=35mm x12 | M1 12x15mm x12 | A1 ZP x4 | S1 3,5x16mm x8 | E1 8x30mm x12 | T1 x4 | U5 L=137/96mm x2 | V12 x1 | Z1 x60 | F1 7x50mm x8 | V16 5x16mm x8 | F3 Hex 4mm x1 | R7 4x27mm x4 | V32 L=860mm x1 | V28 x2 | S5 4x30mm x6 |


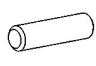
POLA_DD_DK




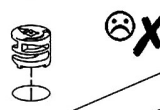
PRODUCTION DATE

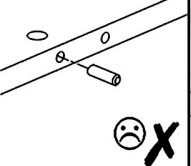

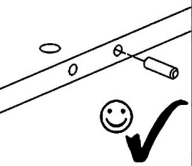

PACKING CODE



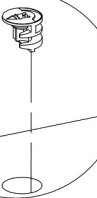
| 000130 | 11 | 1 |
|--------|--------|----------|
| 000224 | 10 | 1 |
| 000223 | 9 | 1 |
| 000129 | 8 | 2 |
| 000213 | 7D | 1 |
| 000118 | 7K | 1 |
| 000212 | 6D | 1 |
| 000117 | 6K | 1 |
| 000211 | 5 | 2 |
| 000138 | 4 | 1 |
| 000209 | 3 | 1 |
| 000208 | 2 | 1 |
| 000128 | 1 | 2 |
| ID | NUMBER | QUANTITY |

| | |
|--|---|
| M1  12x15mm x8 | E1  8x30mm x8 |
|--|---|

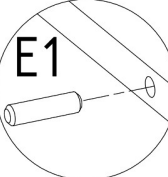
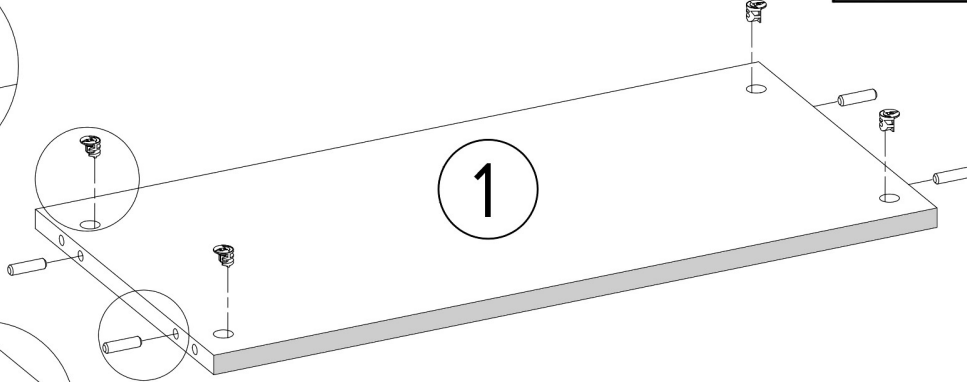
| |
|--|
|     |
|--|

| | |
|---|---|
|   |   |
|---|---|


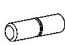
M1







E1





x2

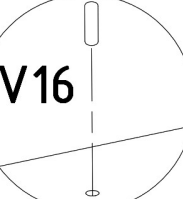

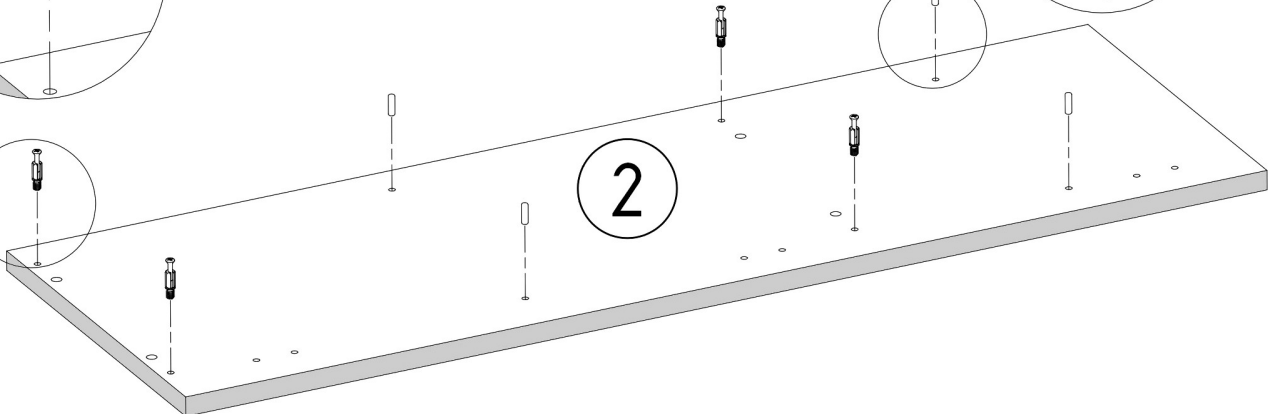
| | |
|---|---|
| N1  L=35mm x4 | V16  5x16mm x4 |
|---|---|


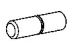
| |
|---|
|     |
|---|

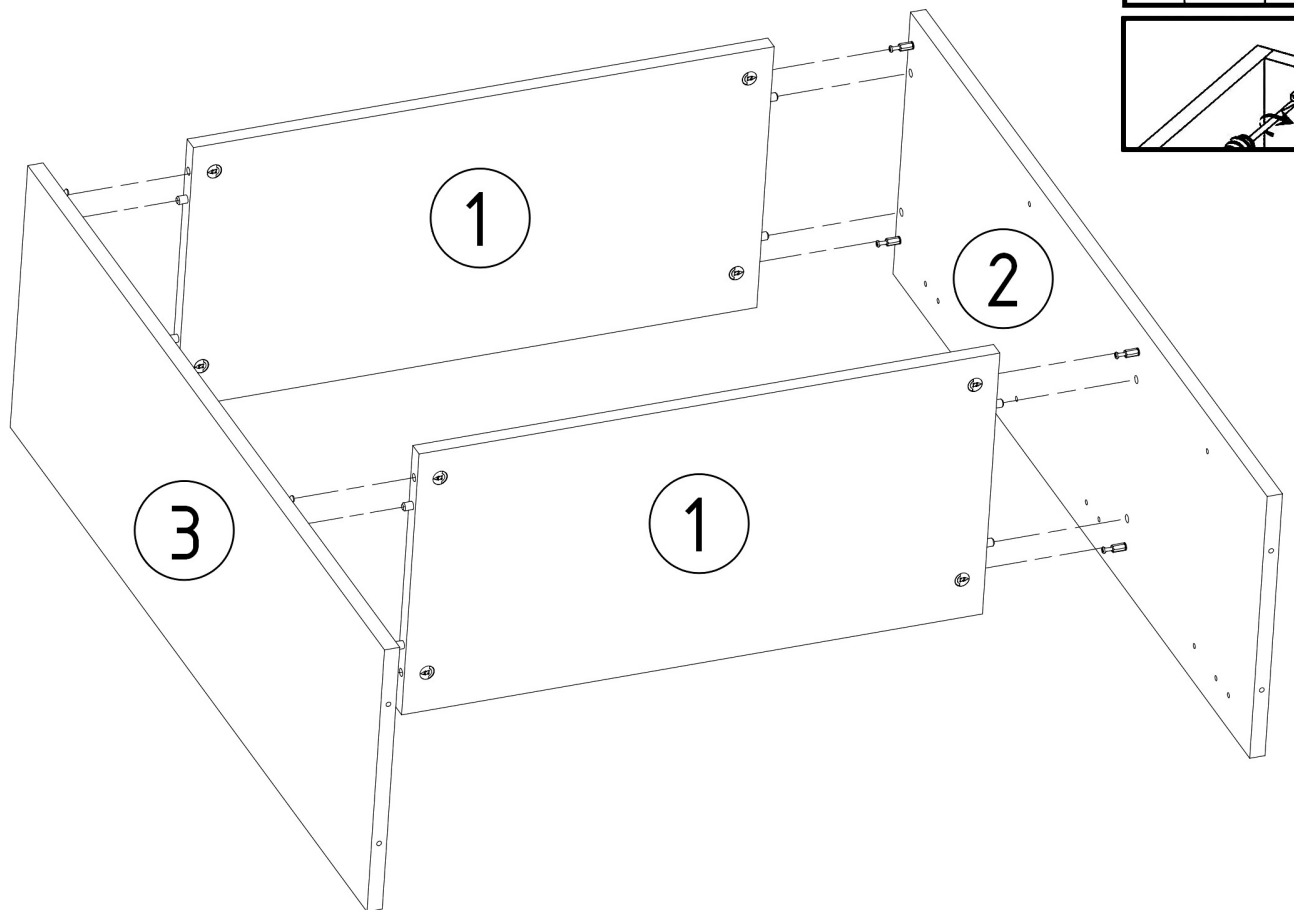
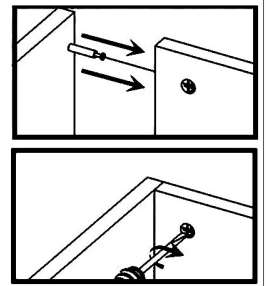
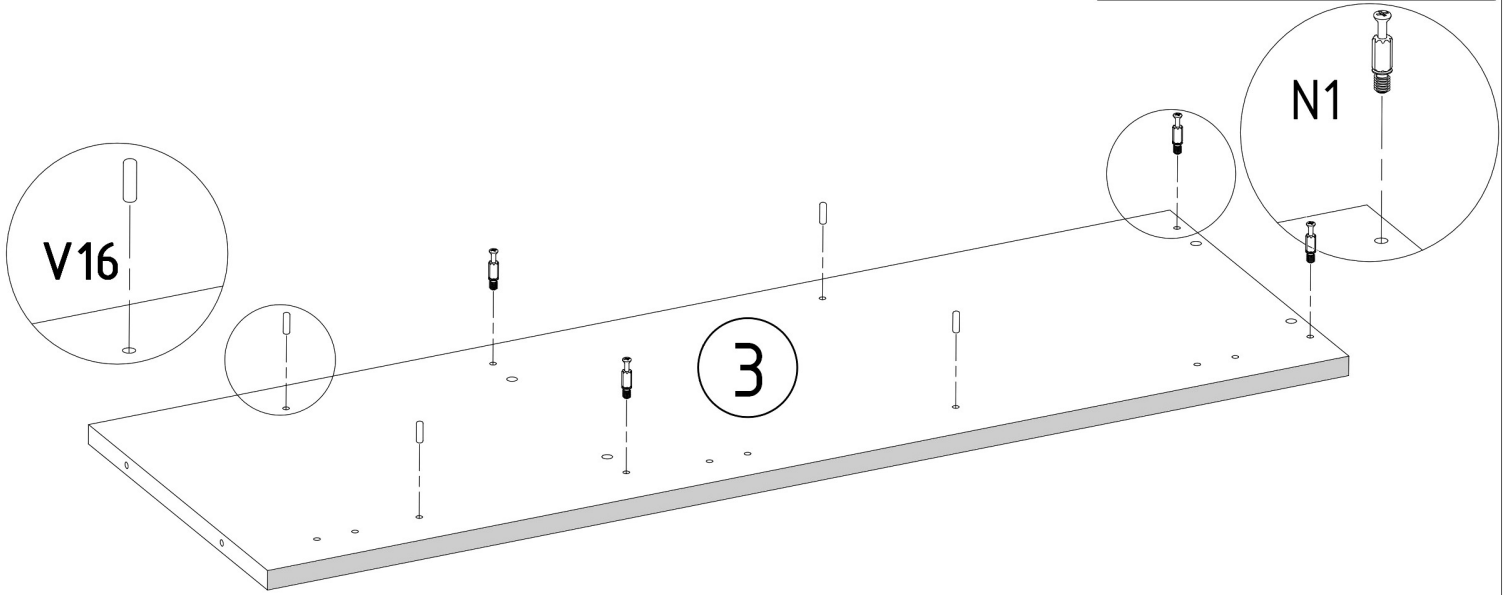
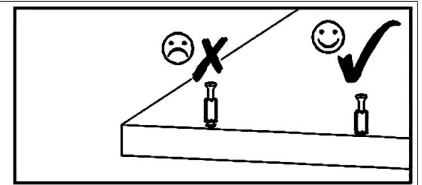
N1

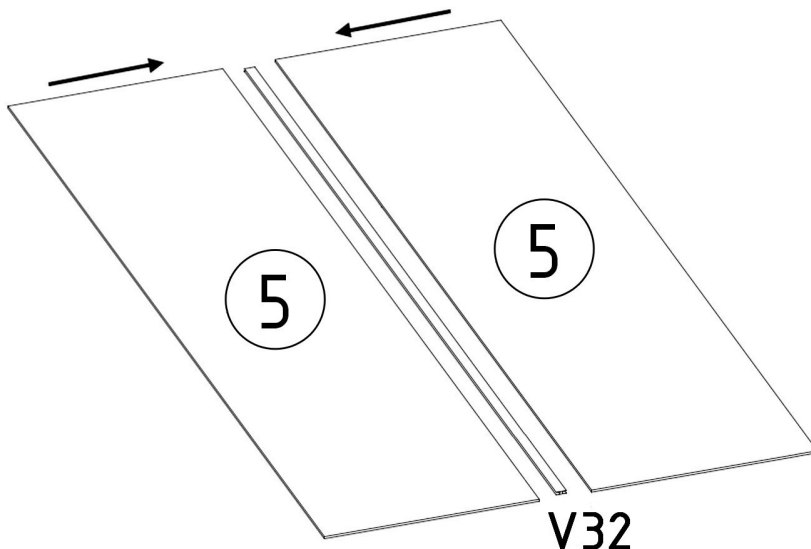
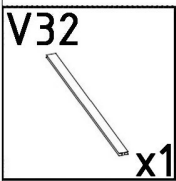
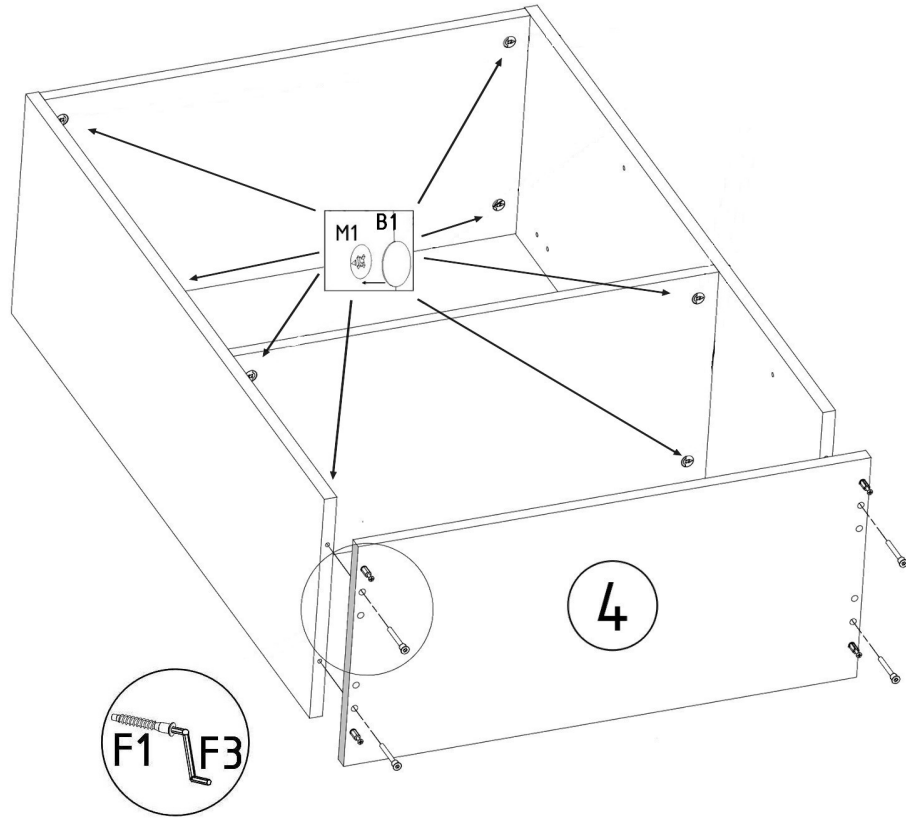
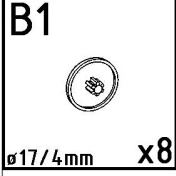
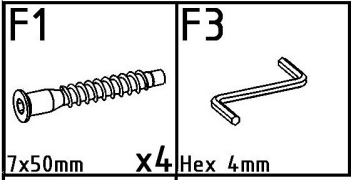
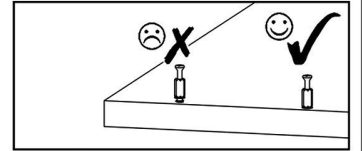
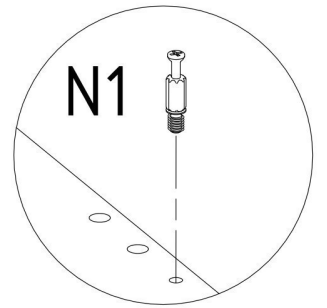
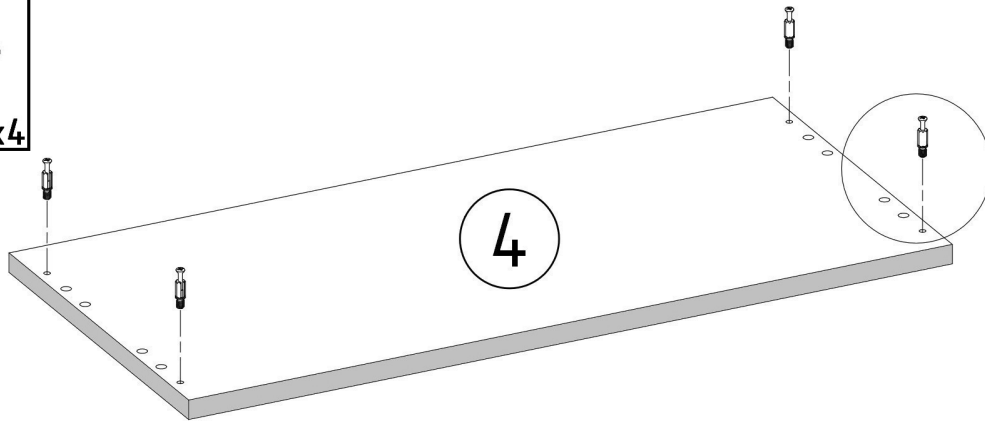


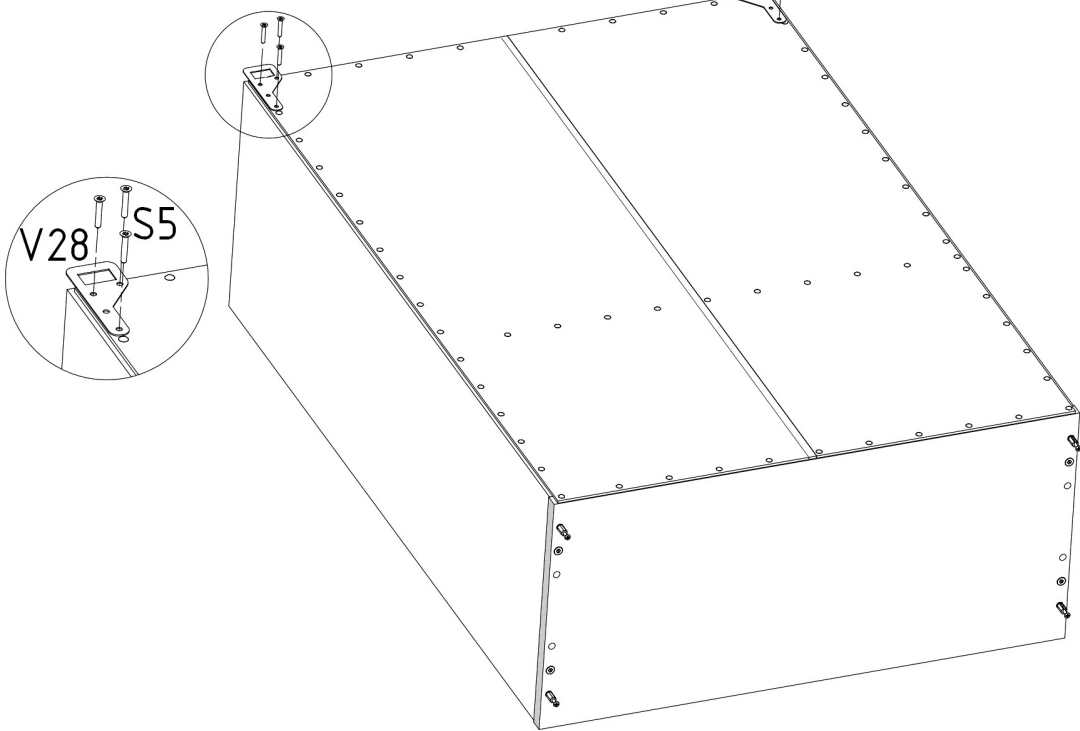
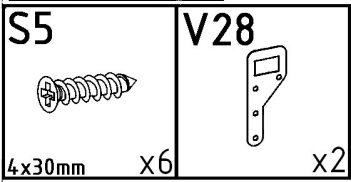
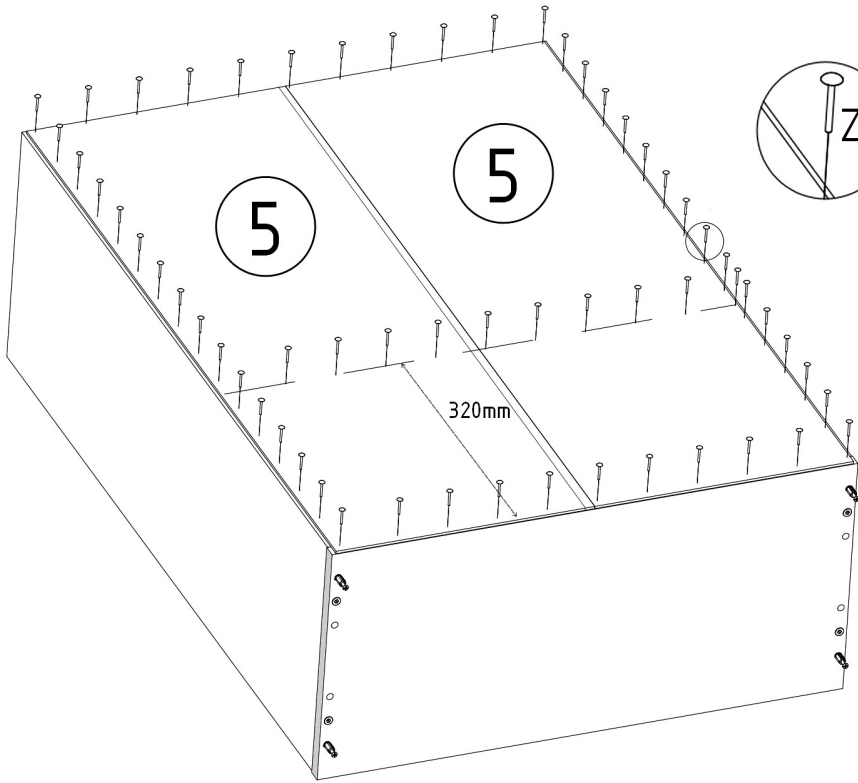
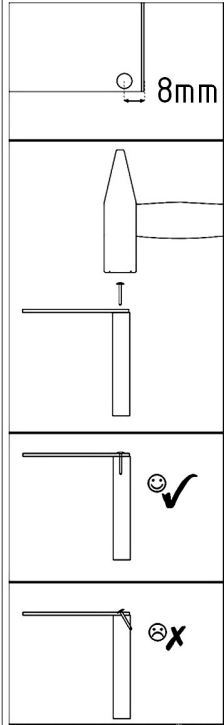
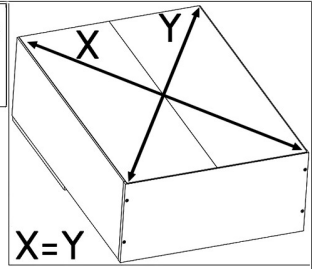
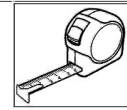
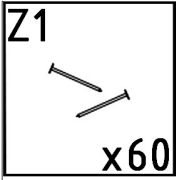
V16

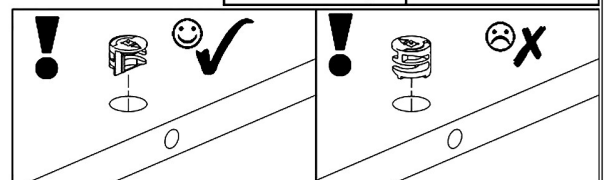
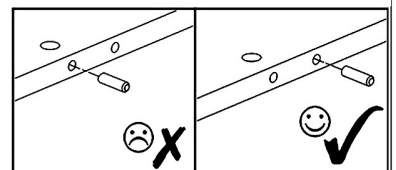
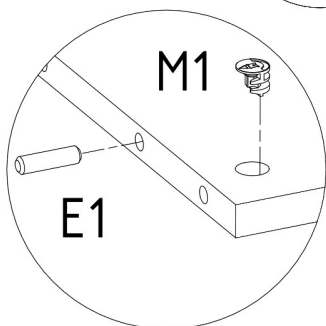
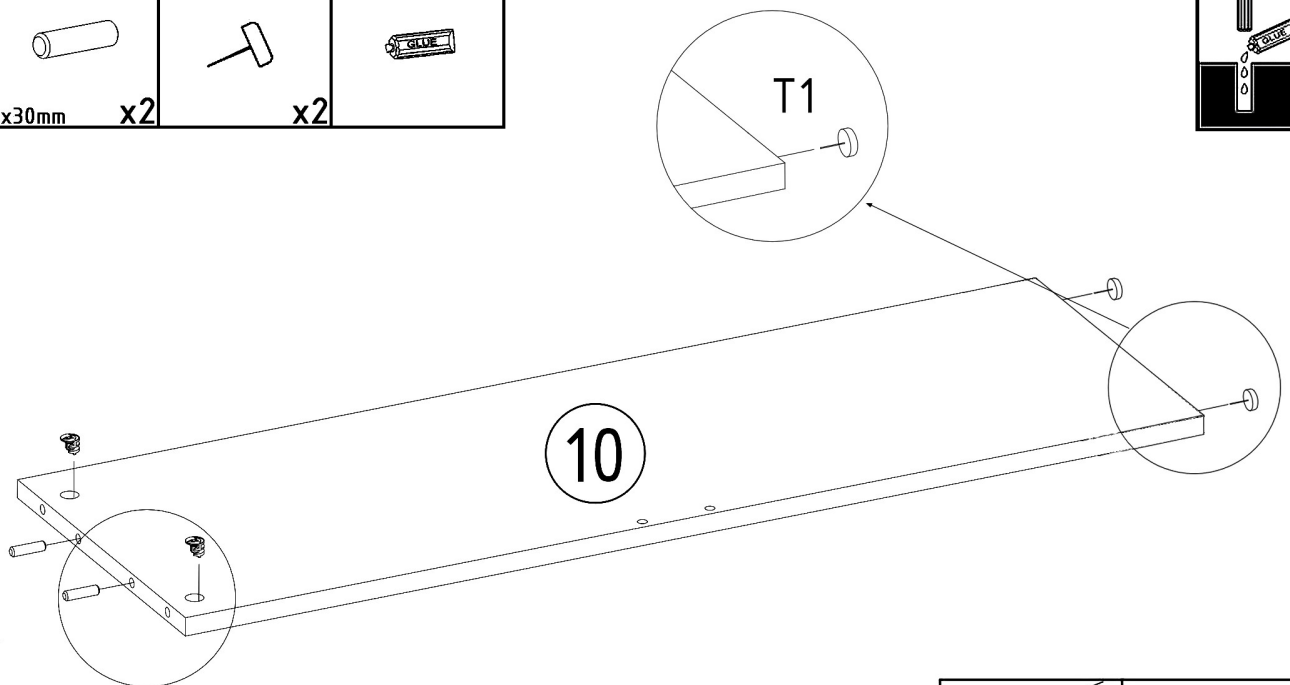
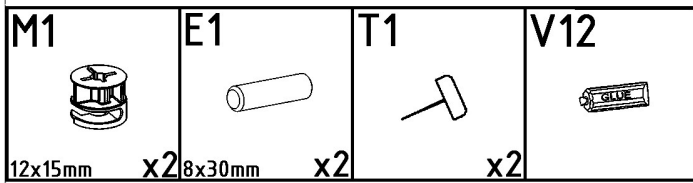
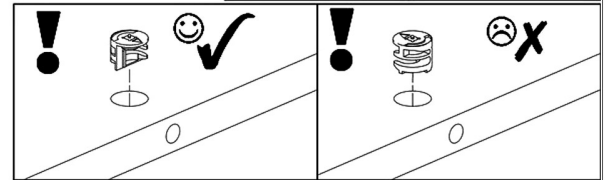
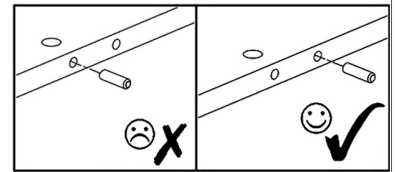
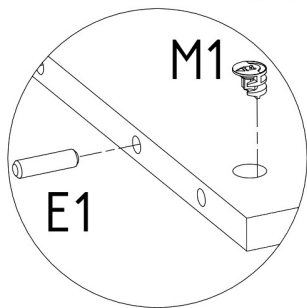
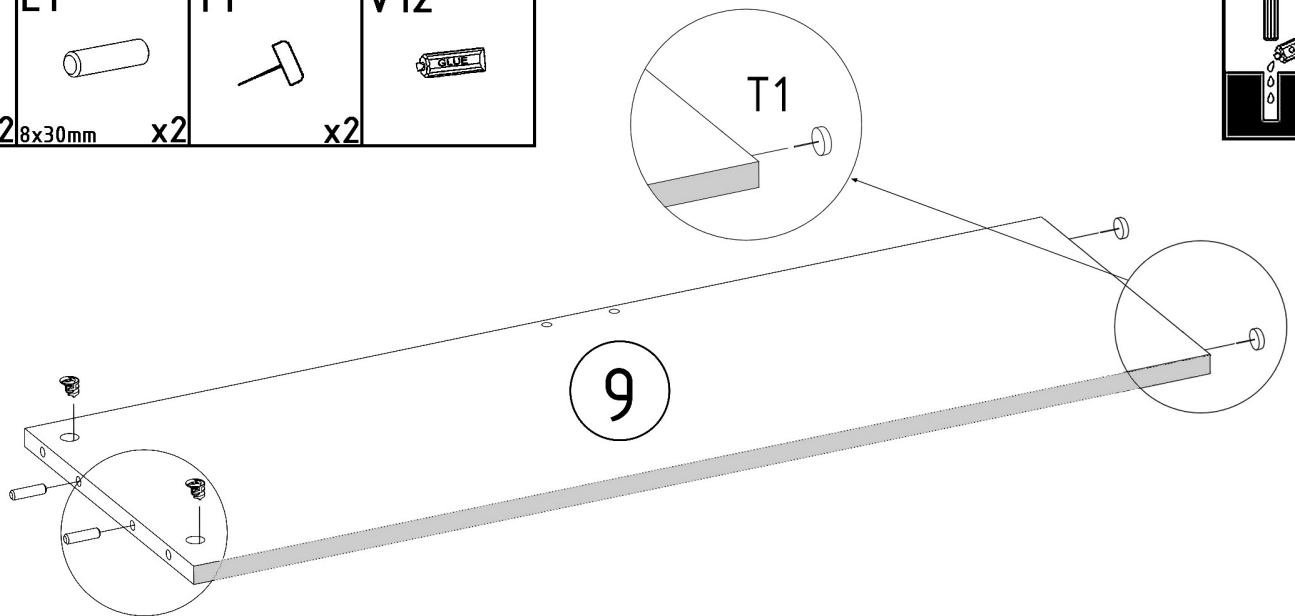
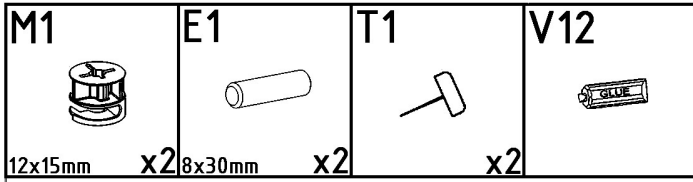




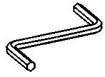
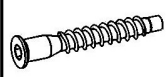
| | |
|---|--|
| N1  L=35mm X4 | V16  5x16mm X4 |
|---|--|

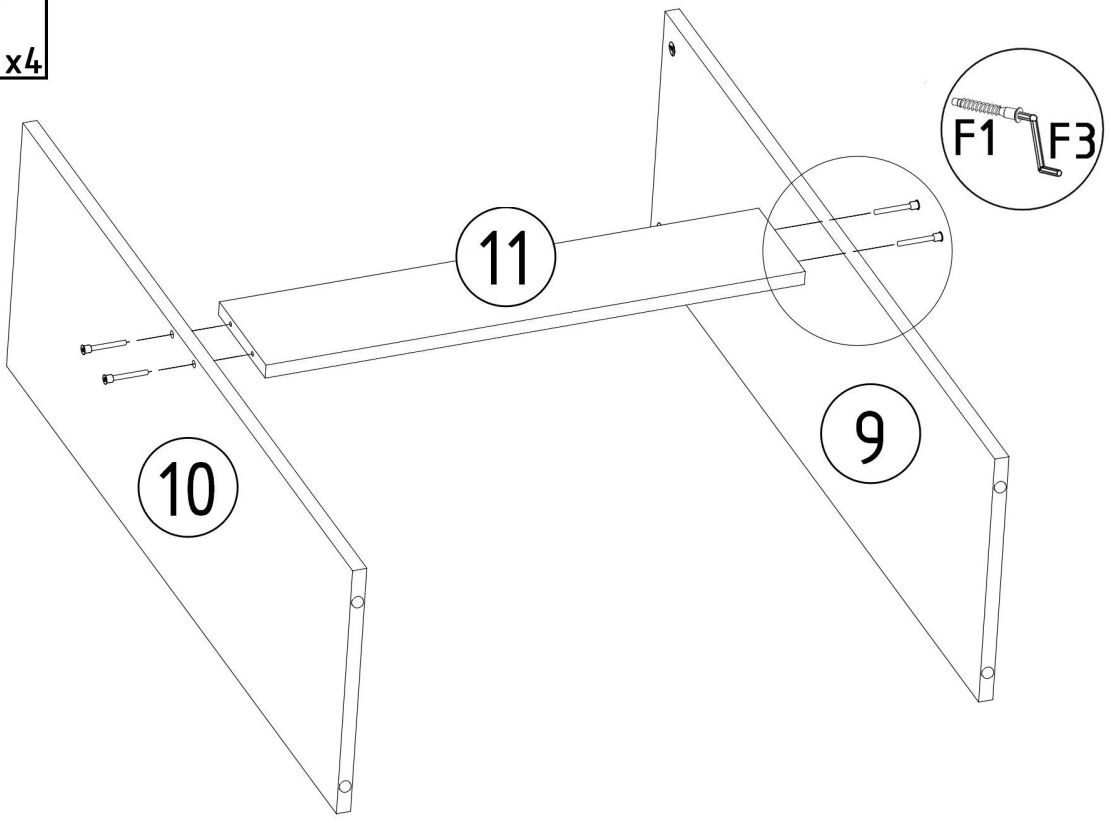









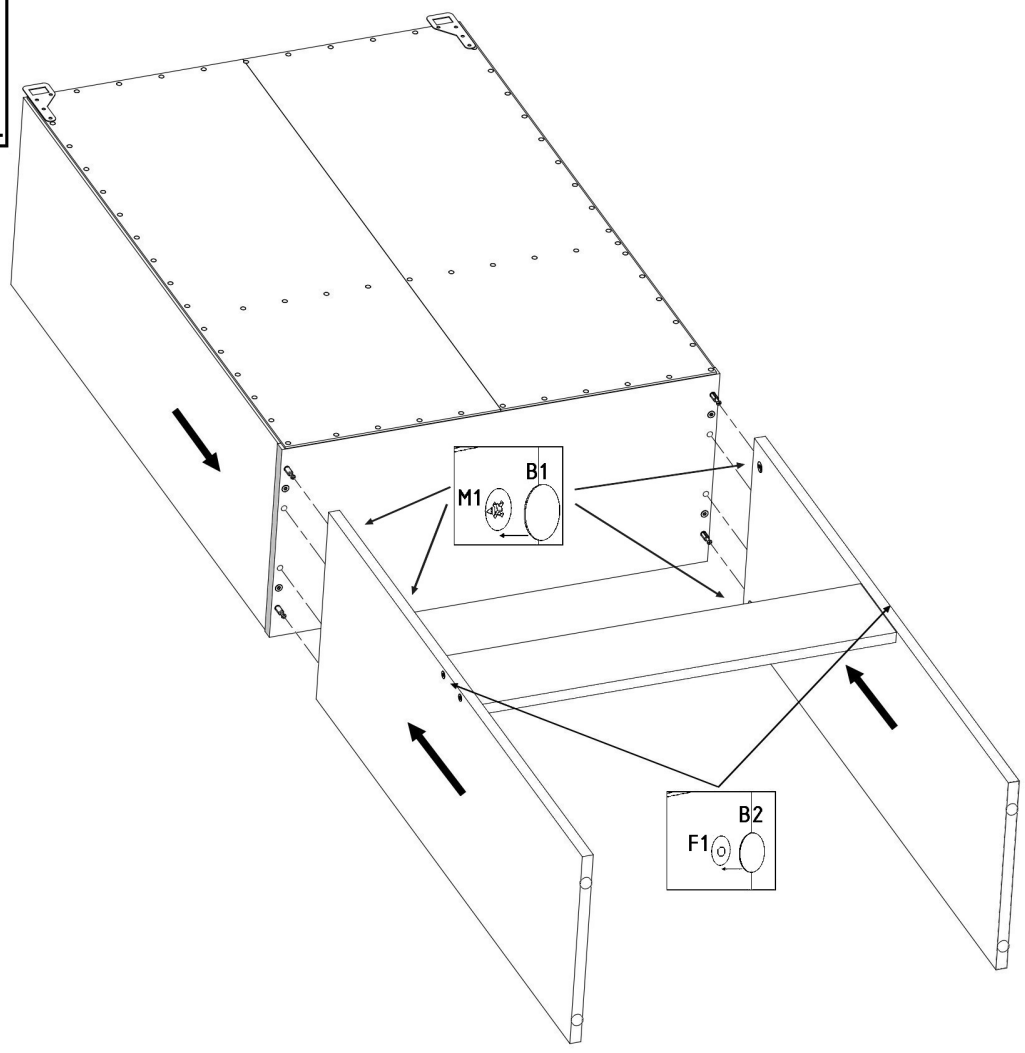


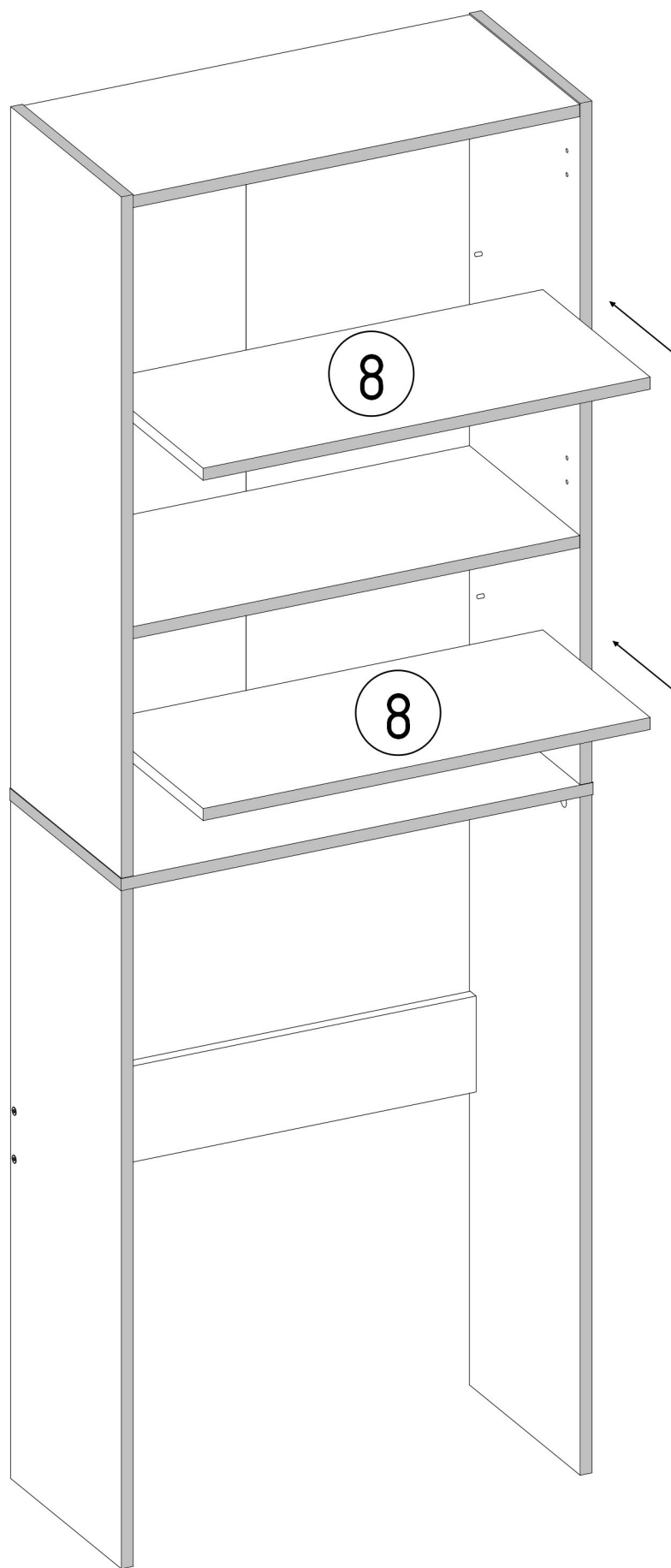
| | |
|---|---|
| F3  Hex 4mm | F1  7x50mm x4 |
|---|---|





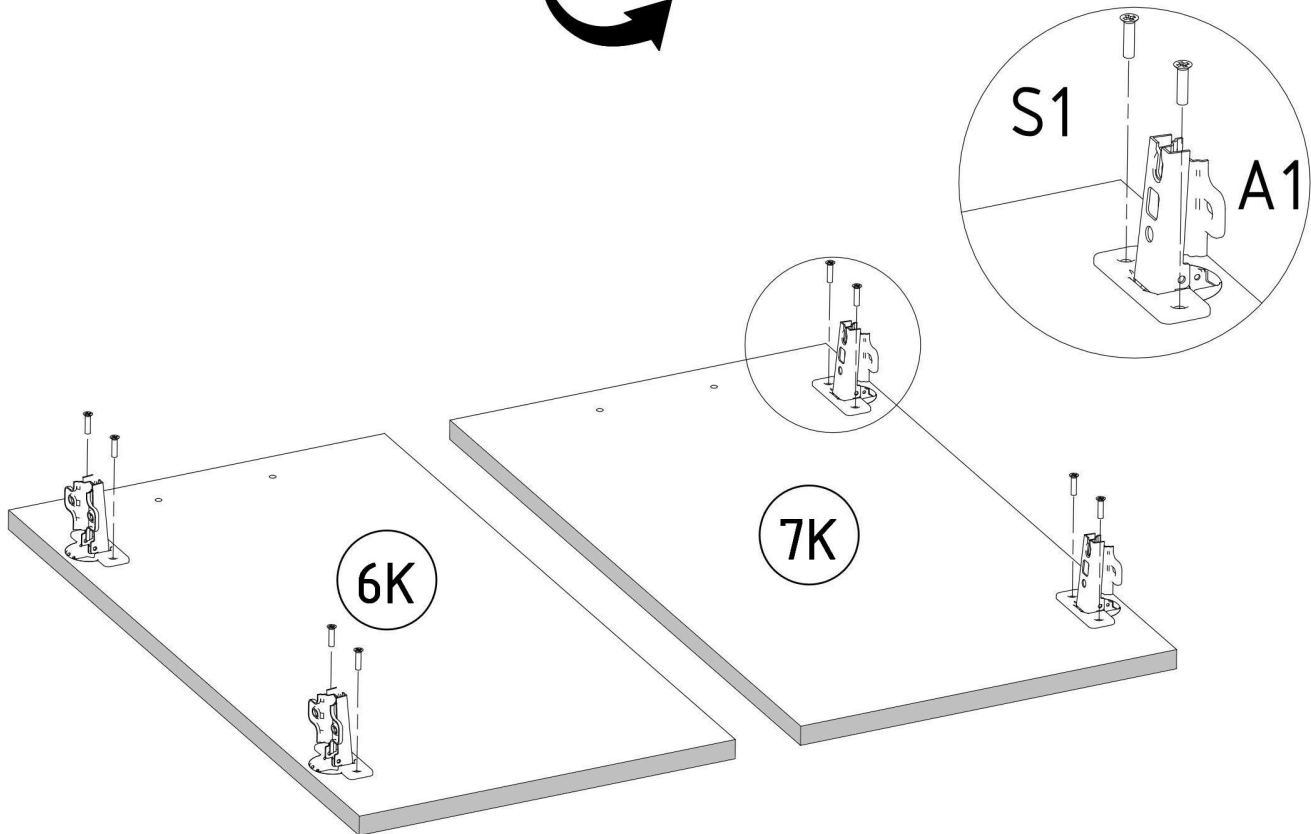
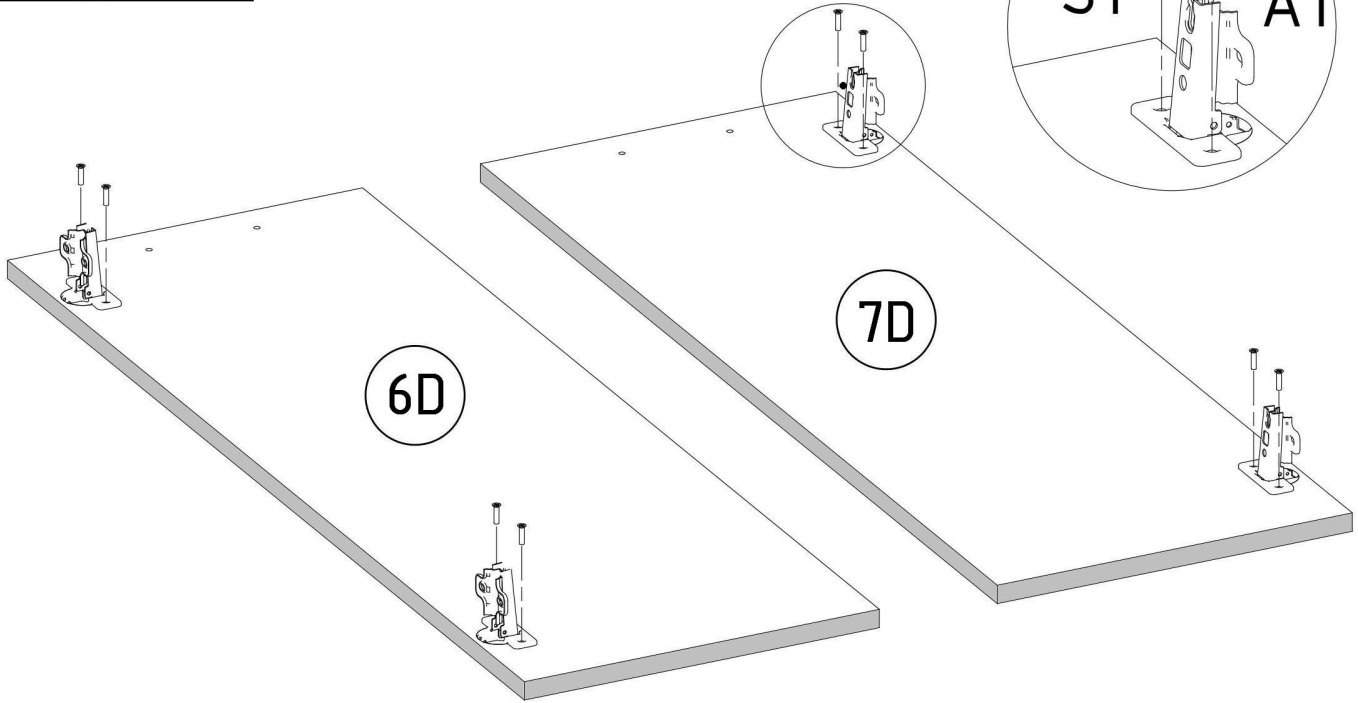
| | |
|--|---|
| V12  GLUE | B2  ø12/4mm x4 |
|--|---|




| |
|--|
| B1  ø17/4mm x4 |
|--|





| | |
|--|--|
| A1  ZP | S1  x4 3,5x16mm x8 |
|--|--|



| | | |
|--|---|--|
| R7  4x27mm X4 | U5  L=137/96mm X2 | B3  ø7-8/5mm X4 |
|--|---|--|

