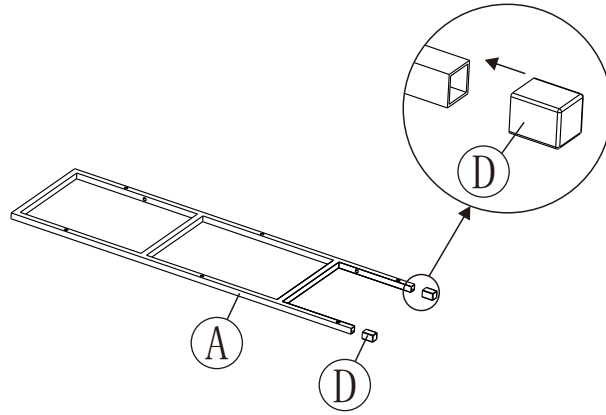




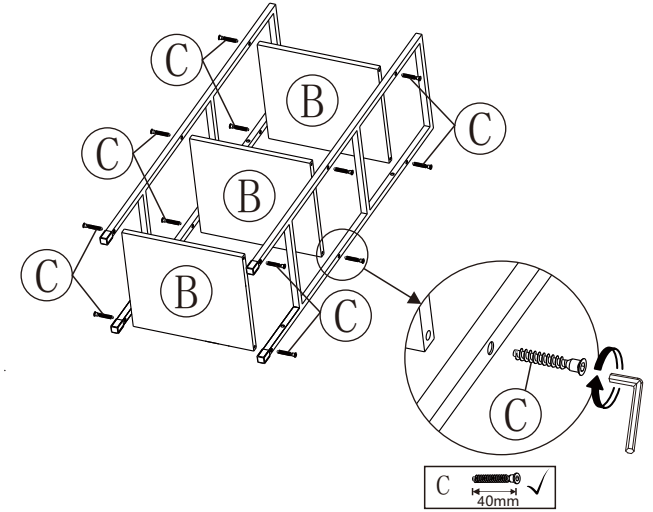
1  
Ax2  
Dx4

| No. | Qty | Sketch |
|-----|-----|--------|
| A   | 2   |        |
| B   | 3   |        |
| C   | 12  |        |
| D   | 4   |        |
| E   | 1   |        |
| F   | 1   |        |
| G   | 1   |        |
| H   | 1   |        |
| I   | 4   |        |
| J   | 1   |        |

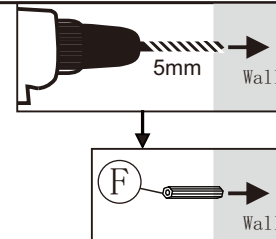


x2

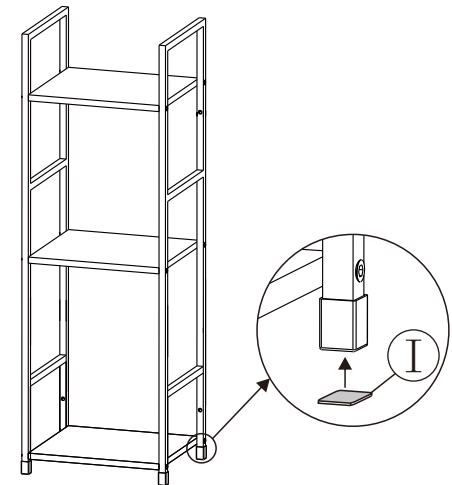
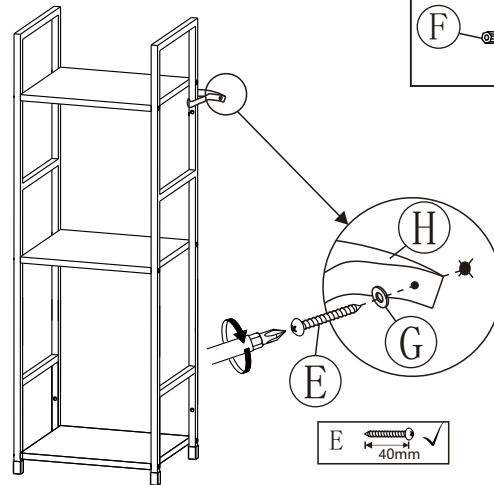
2  
Bx3  
Cx12



3  
Ex1  
Fx1  
Gx1  
Hx1



4  
Ix4



In case of unevenness, please use cloth stickers under plastic foot covers

