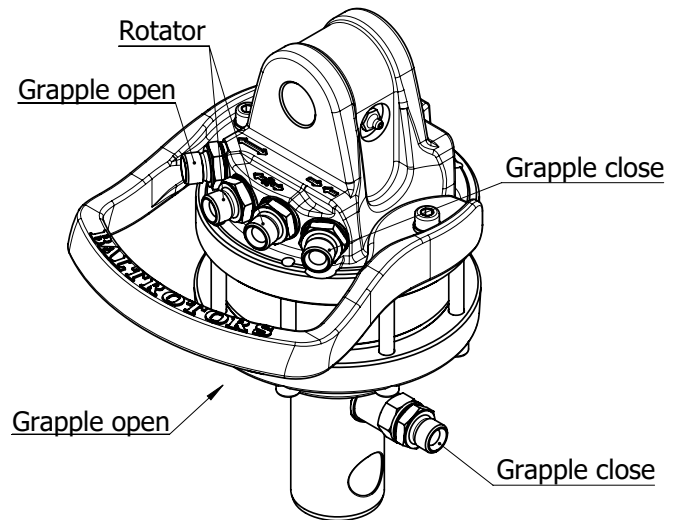
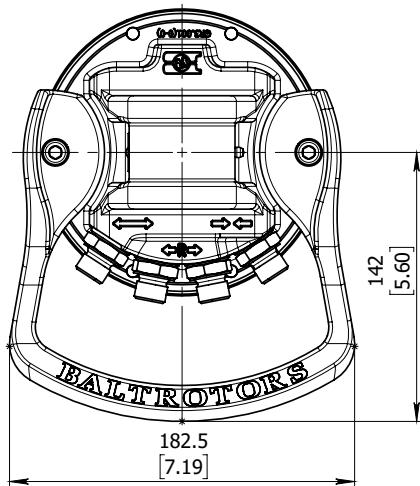
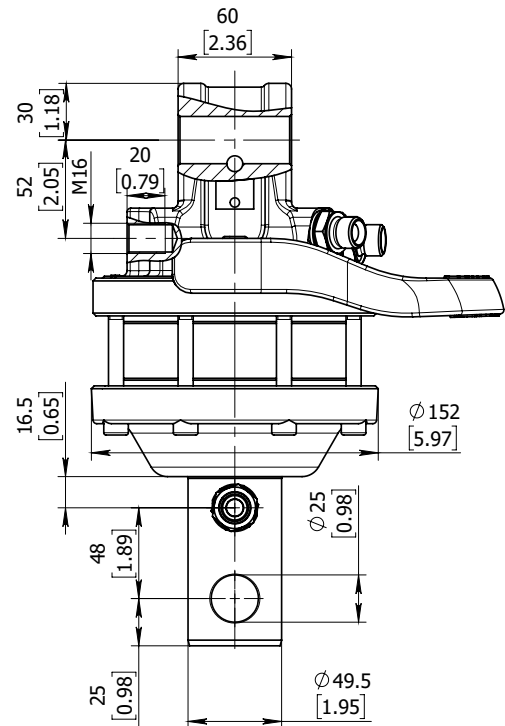
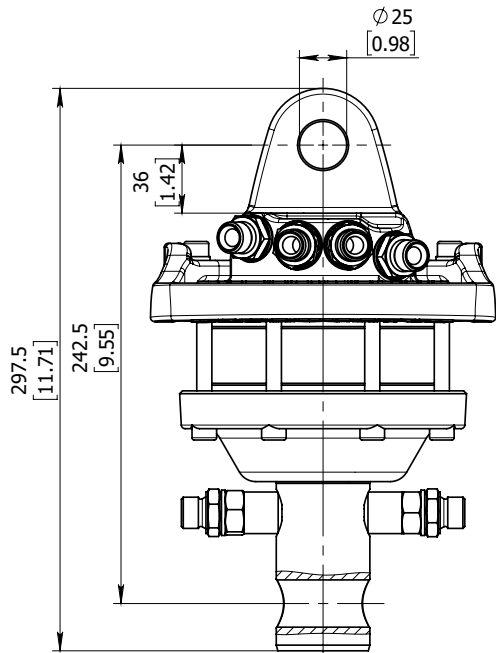


# ROTATOR GR30



## Technical data

Rotation	Unlimited
Max axial load static, KN (lbf)	30 (6745)
Max axial load dynamic, KN (lbf)	15 (3372)
Torque at 25Mpa (3625psi), Nm (lb ft)	1000 (738)
Rec oilflow, l/min (US gallon)	20 (5.3)
Weight, kg (lb)	15 (33)

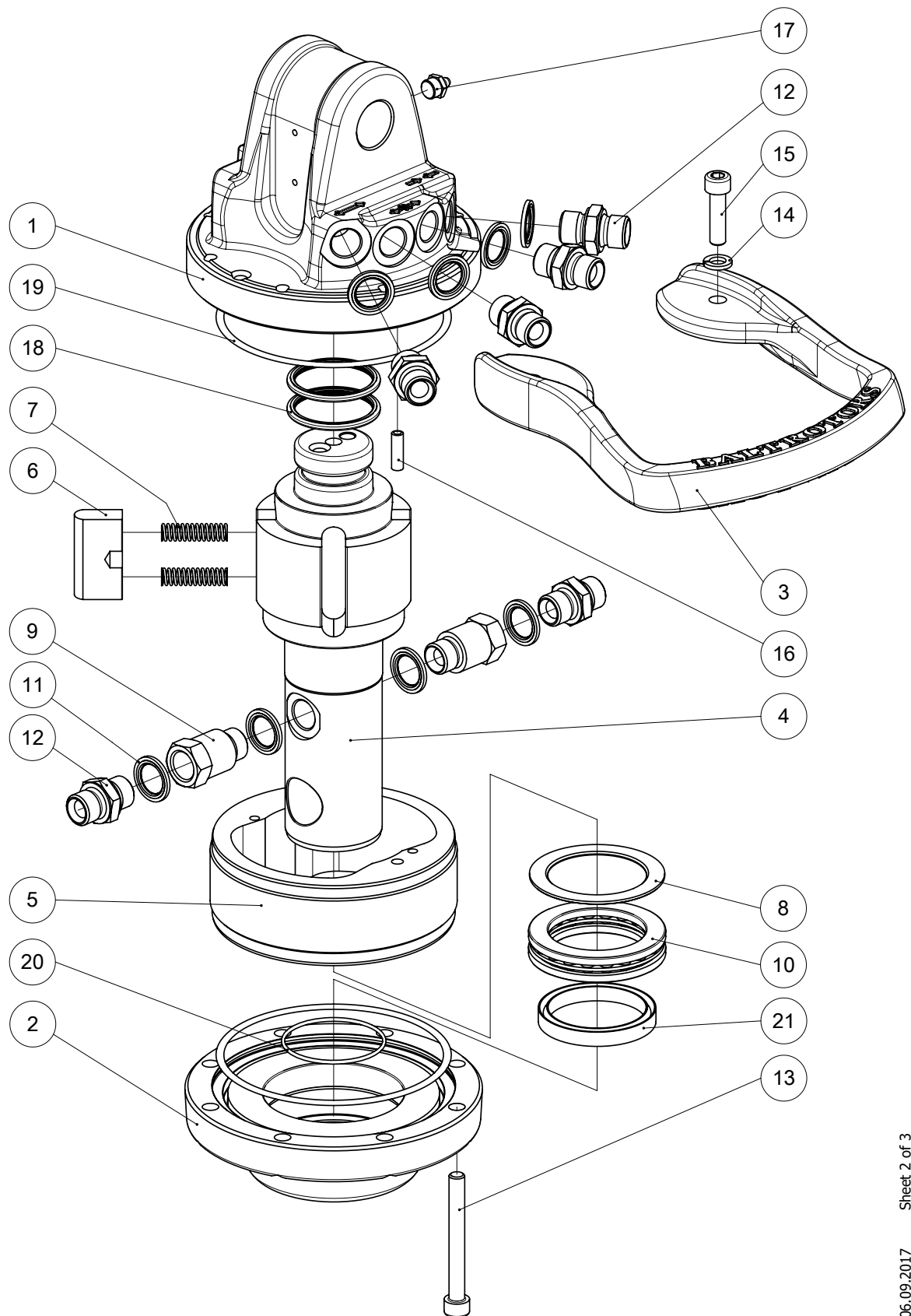
### Max working pressure:

Rotator	←R→	Max 25 MPa (3625 psi)	G 3/8
Grapple / Tool open	←G→	Max 20 MPa (2900 psi)	G 3/8
Grapple / Tool close	→G←	Max 30 MPa (4350 psi)	G 3/8

### Connection:

# ROTATOR GR30

## List of parts



# ROTATOR GR30

## List of parts

Pos.	Part	Title	Quantity	Notes
1	GR3.001	Stator plate, upper	1	
2	GR3.002	Stator plate, lower	1	
3	GR3.003	Hose guard	1	
4	GR3.005	Rotator shaft	1	
5	GR3.006	Stator frame	1	
6	GR30.007	Vane	4	
7	MTR100.009	Spring	8	
8	MTR30.011	Shim	1	
9	MT0205	Nipple	2	
10	G2133-00001	Bearing	1	
11	M2602-00000	Bonded seal	8	
12	G117-00000	Nipple	6	
13	M2305-00000	Screw	8	
14	M2301-00000	Spring washer	2	
15	M2305-00041	Screw	2	
16	M2307-00010	Pin	1	
17	M2610-00000	Grease nipple	1	
<b>Seal kit</b>				
18	G1021-00007	Glide ring	2	
19	G1024-00063	O-ring	2	
20	G308-00059	O-ring	1	
21	G1022-00009	Seal	1	