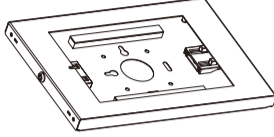
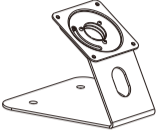
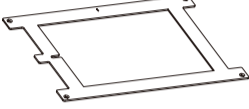

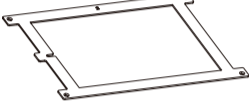

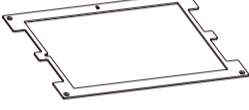

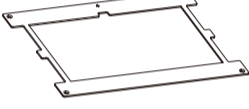

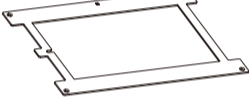







- EN** Anti-Theft Wall-Mounted/Countertop Tablet Holder
- PL** Uchwyt do tabletu naścienny/biurkowy blokada
- DE** Anti-Diebstahl-Tablet-Halterung für Wandmontage/Tischplatte
- FR** Porte-tablette antivol mural/de comptoir
- ES** Soporte mural antirrobo para Tablet
- IT** Supporto per tablet antifurto da parete e da banco

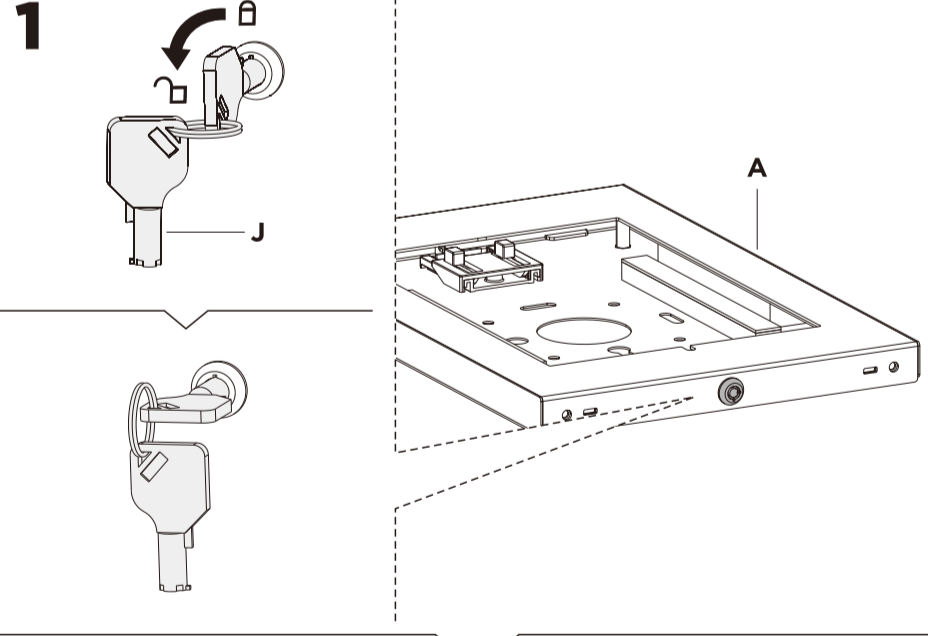
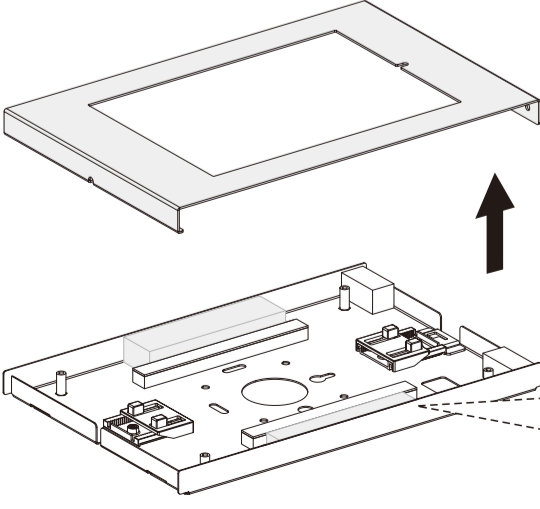
ITEM	DESCRIPTION	QUANTITY	ITEM	DESCRIPTION	QUANTITY
<b>A</b>	 enclosure	1	<b>H</b>	 base	1
<b>B</b>	 panel 1	1	<b>I</b>	 silicone pad	4
<b>C</b>	 panel 2	1	<b>J</b>	 key	1
<b>D</b>	 panel 3	1	<b>K</b>	 M4x12	4
<b>E</b>	 panel 4	1	<b>L</b>	 M5x6	4
<b>F</b>	 panel 5	1	<b>M</b>	 ST4.8x38	2
<b>G</b>	 panel 6	1	<b>N</b>	 Ø8x40	2

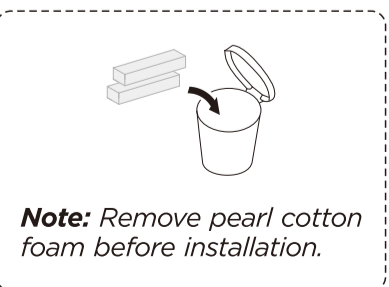


## 2

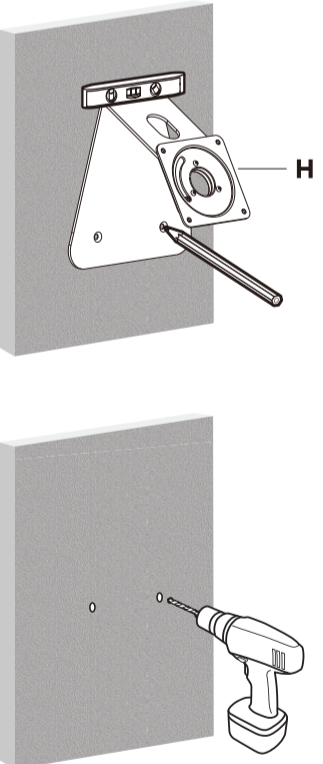


### 1

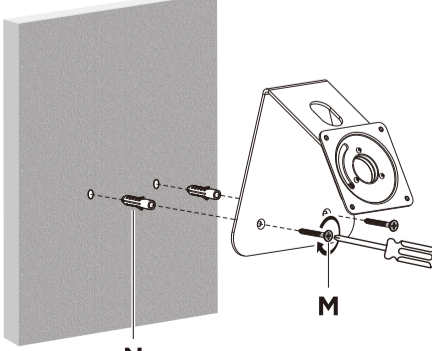



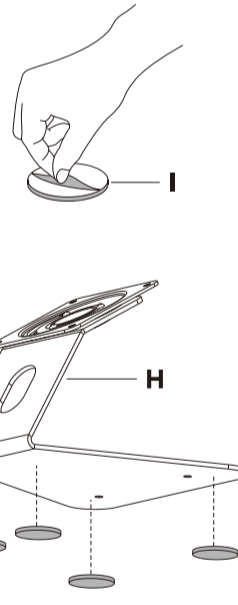
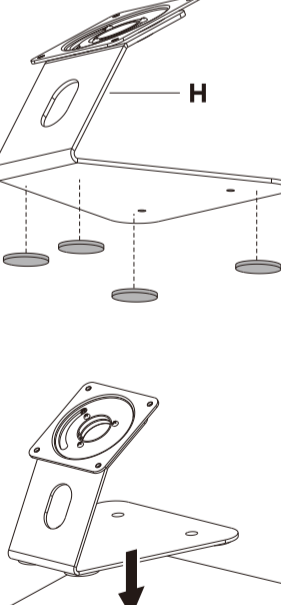
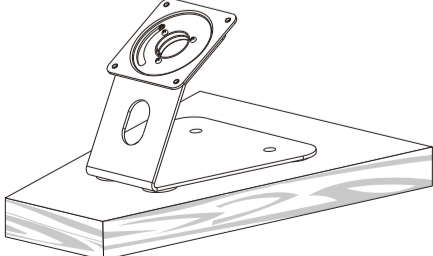


**Note:** Remove pearl cotton foam before installation.

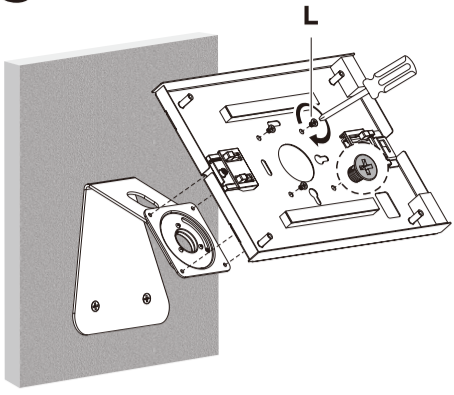


45mm (1.8")    ø 8mm (ø 5/16")

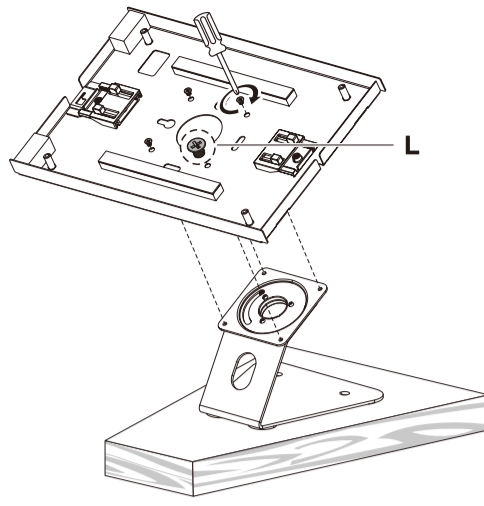
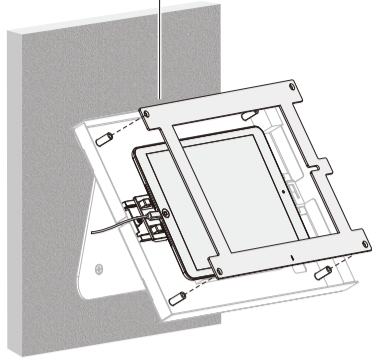


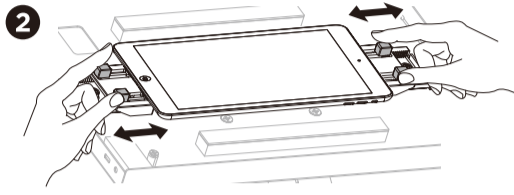
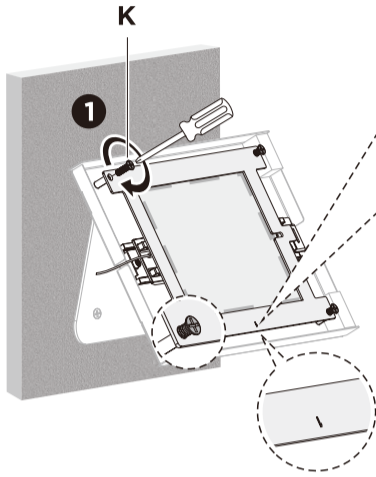
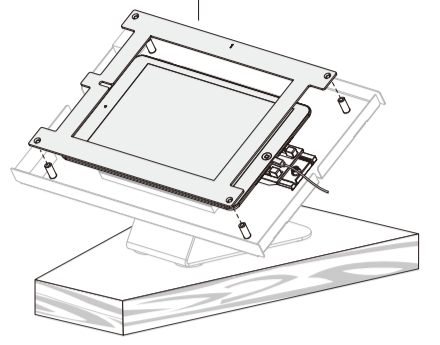
3



B/C/D/E/F/G

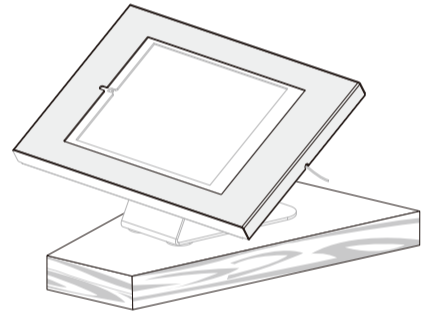
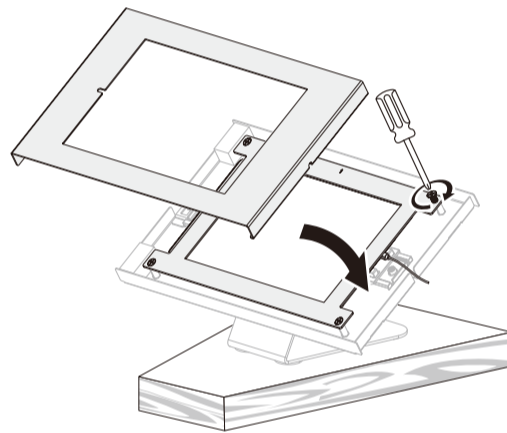
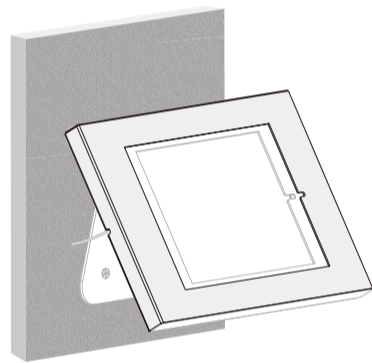
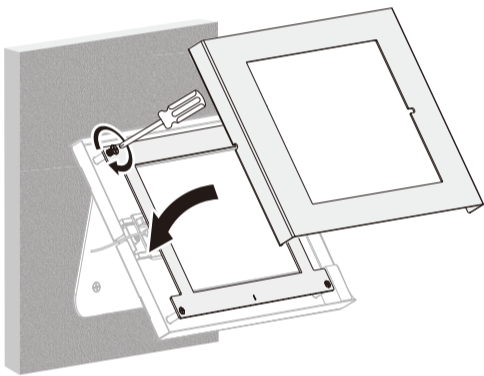
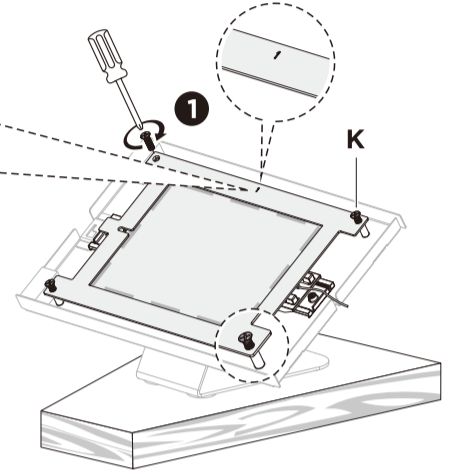


B/C/D/E/F/G

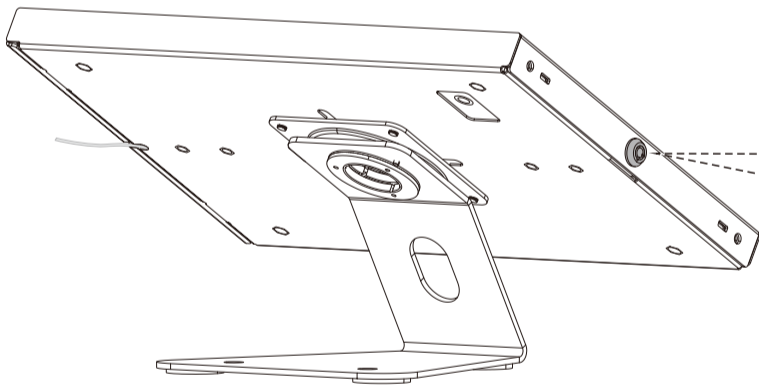


Attach the panel to the enclosure using four screws (K). Before completely tightening the screws adjust the two claws to hold the tablet and to ensure the screen is aligned and visible through the front panel.

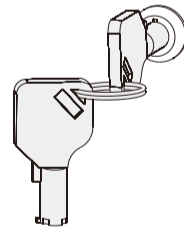
- Panel 1:** For 9.7" iPad 5/6, iPad Air 1/2 & iPad Pro (Gen 1)
  - Panel 2:** For 10.2" iPad 7/8/9 & 10.5" iPad Air 3, iPad Pro (Gen 2)
  - Panel 3:** For 11" iPad Pro (Gen 3/4/5) & 10.9" iPad Air 4
  - Panel 4:** For 10.4" Samsung Galaxy Tab A7
  - Panel 5:** For 10.1" Samsung Galaxy Tab A
  - Panel 6:** For 10.4" Samsung Galaxy Tab S6 Lite
- Choose the corresponding panel according to the tablet.



4



Before locking the enclosure, confirm the camera is visible through the slot as shown.



5

