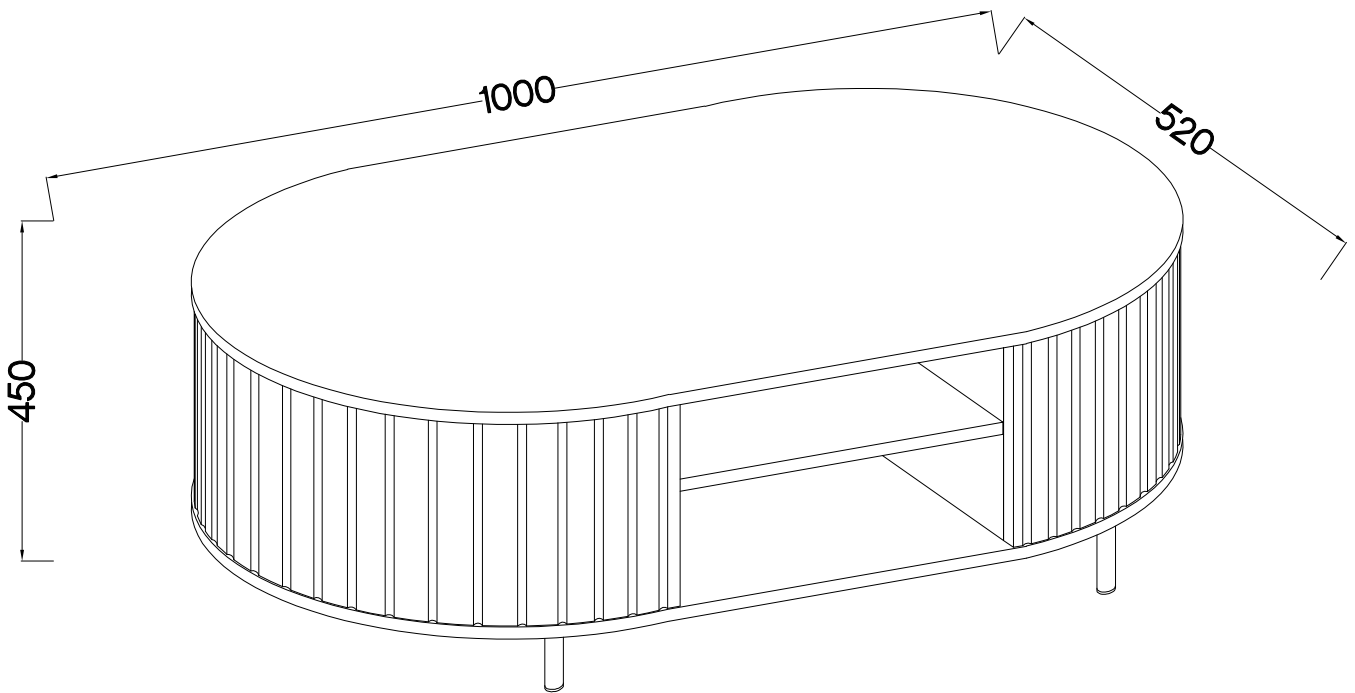
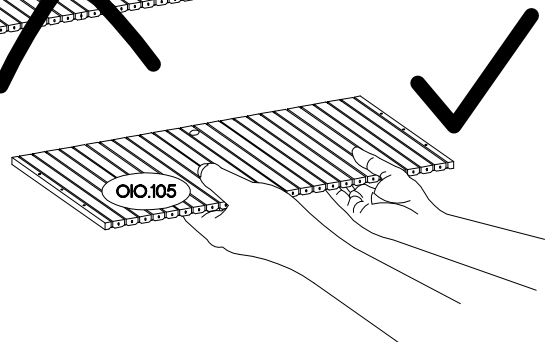
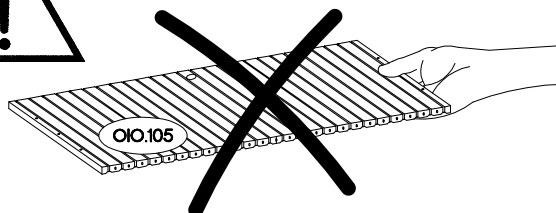
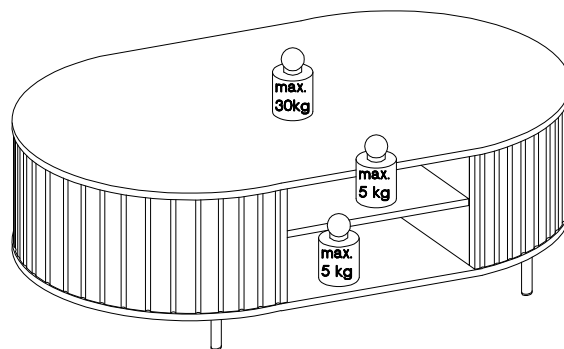
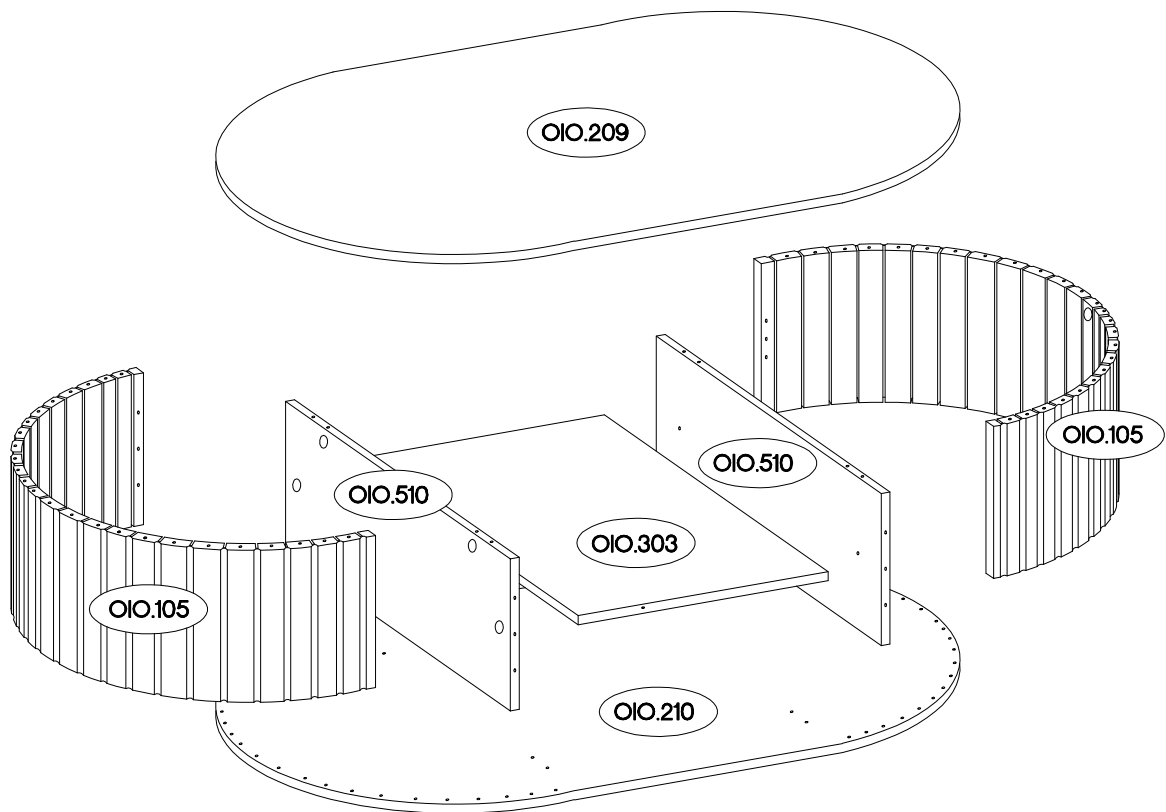


TYP 200

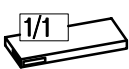


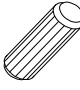




 8x30mm A	 6,4 x 50mm B	 15/12mm C	 L=20mm D2	 L=150mm F40	 5 J1	 4 O	 4.0x16mm P1
112	6	10	10	4	4	1	16

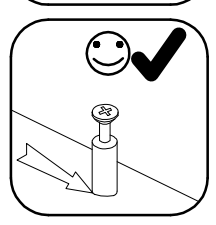
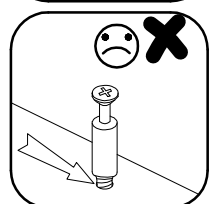
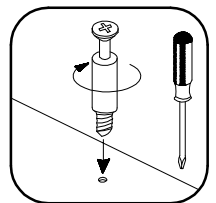
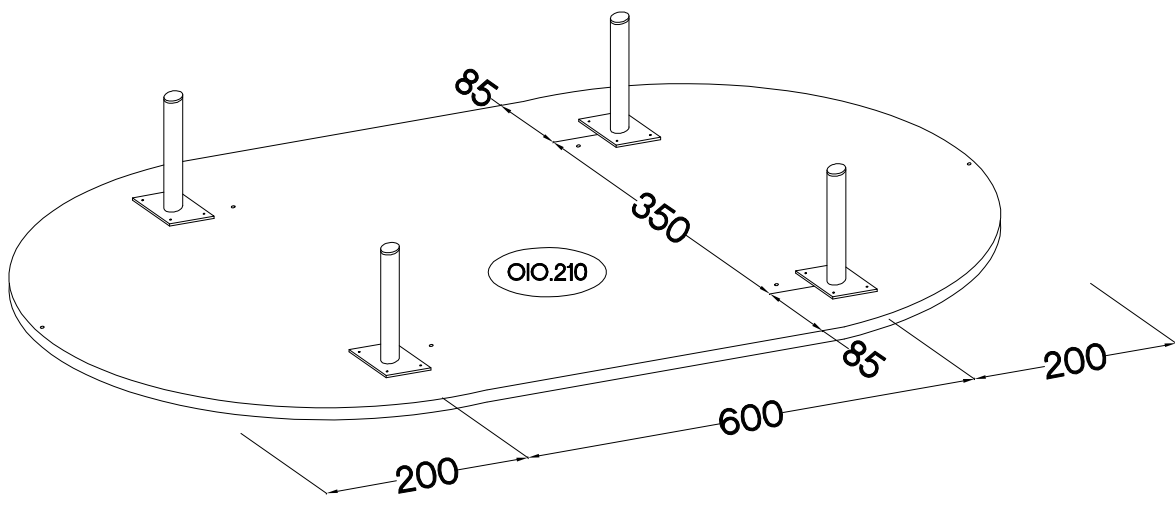
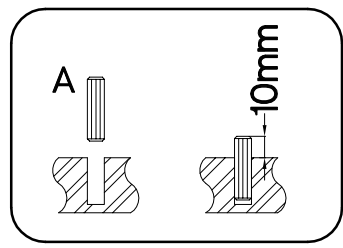
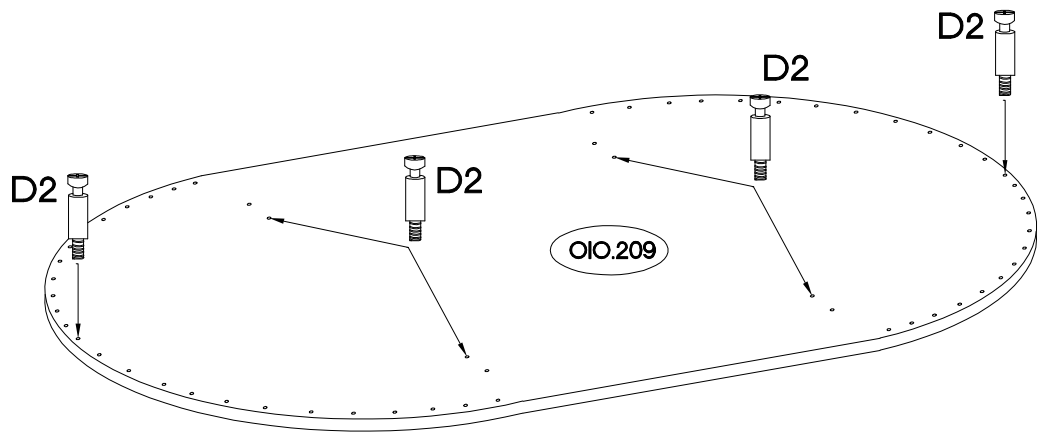
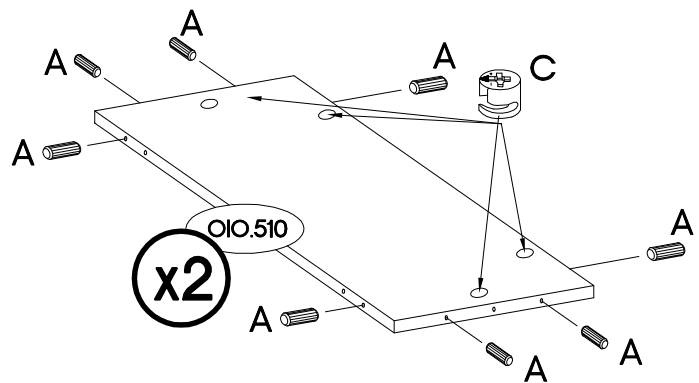
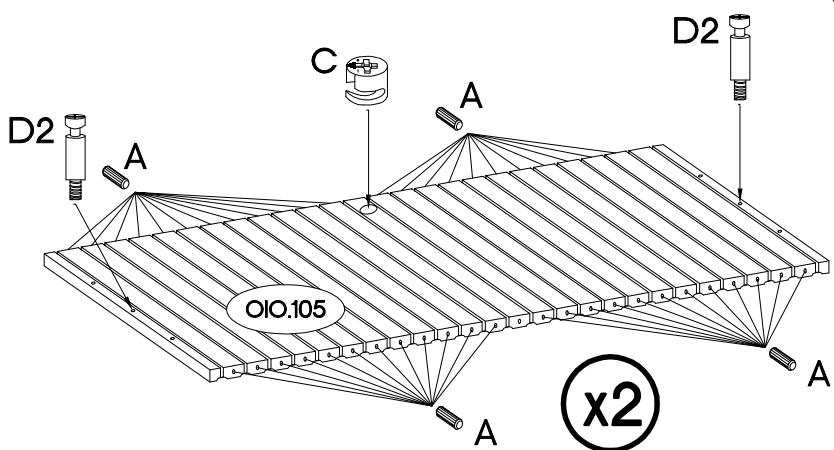
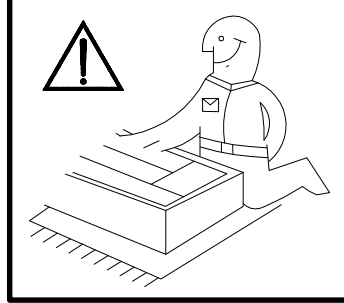
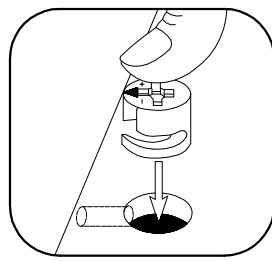
ISM-OIO-006



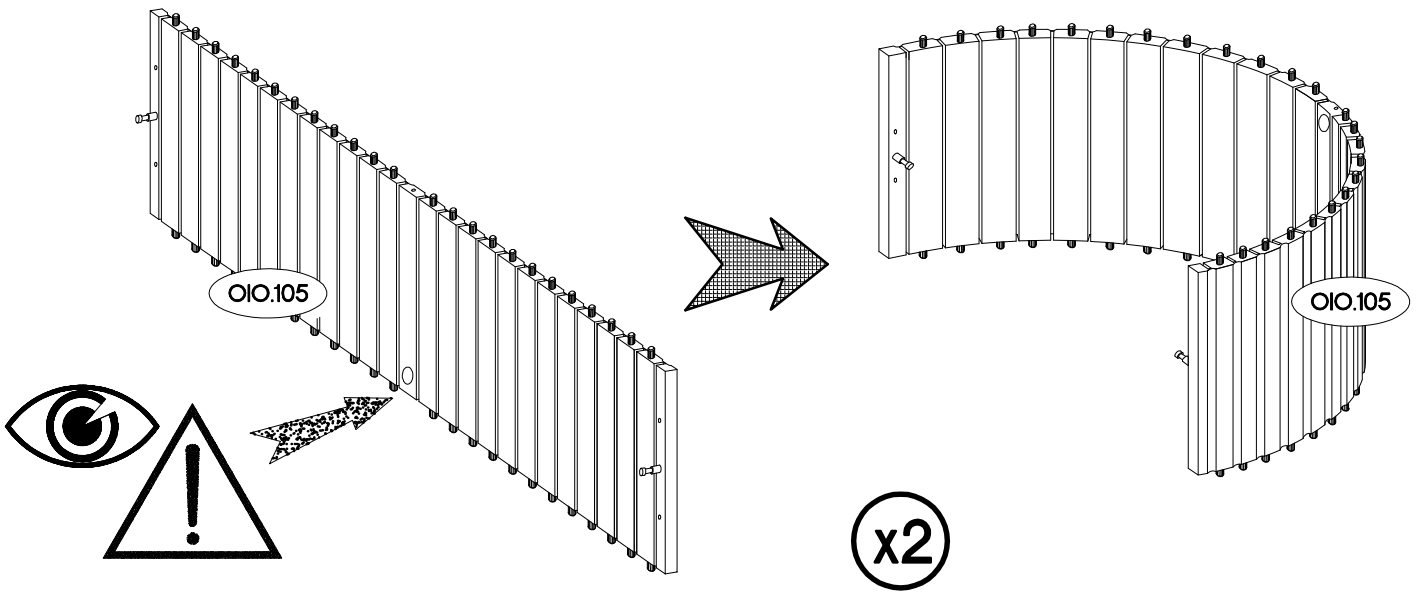
	Ersatzteil Nummer	Dimension
	OIO.209	1000x520x16
	OIO.210	1000x520x16
	OIO.510 x2	268x484x16
	OIO.303	448x482x16
	OIO.105 X2	268x832x16



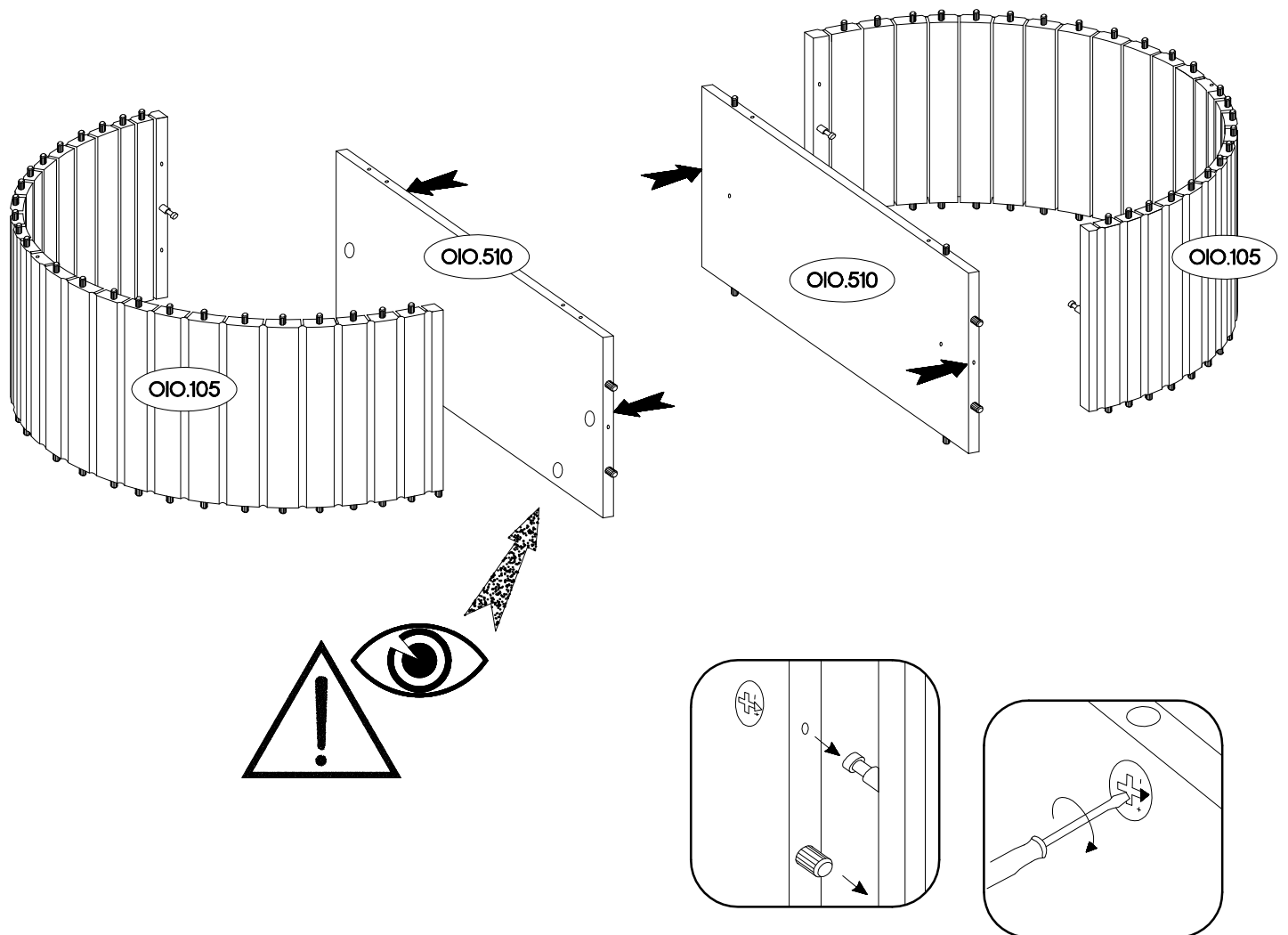
$\pm 8 \times 30 \text{mm}$  A	$\pm 15 / 12 \text{mm}$  C	L=20mm  D2	L=150mm  F40	$\pm 4.0 \times 16 \text{mm}$  P1
112	10	10	4	16



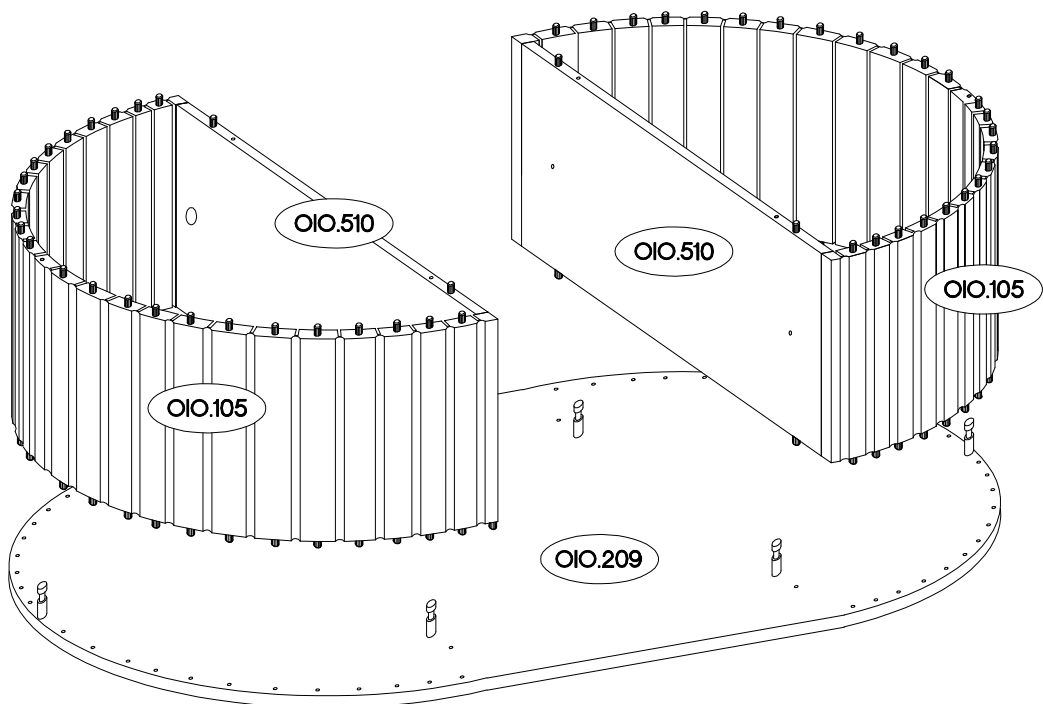
2




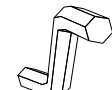
3

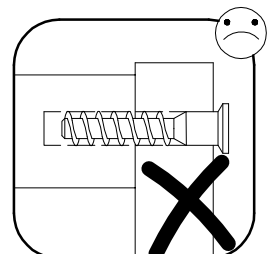
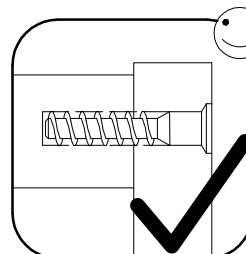
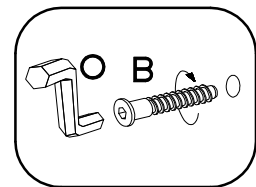
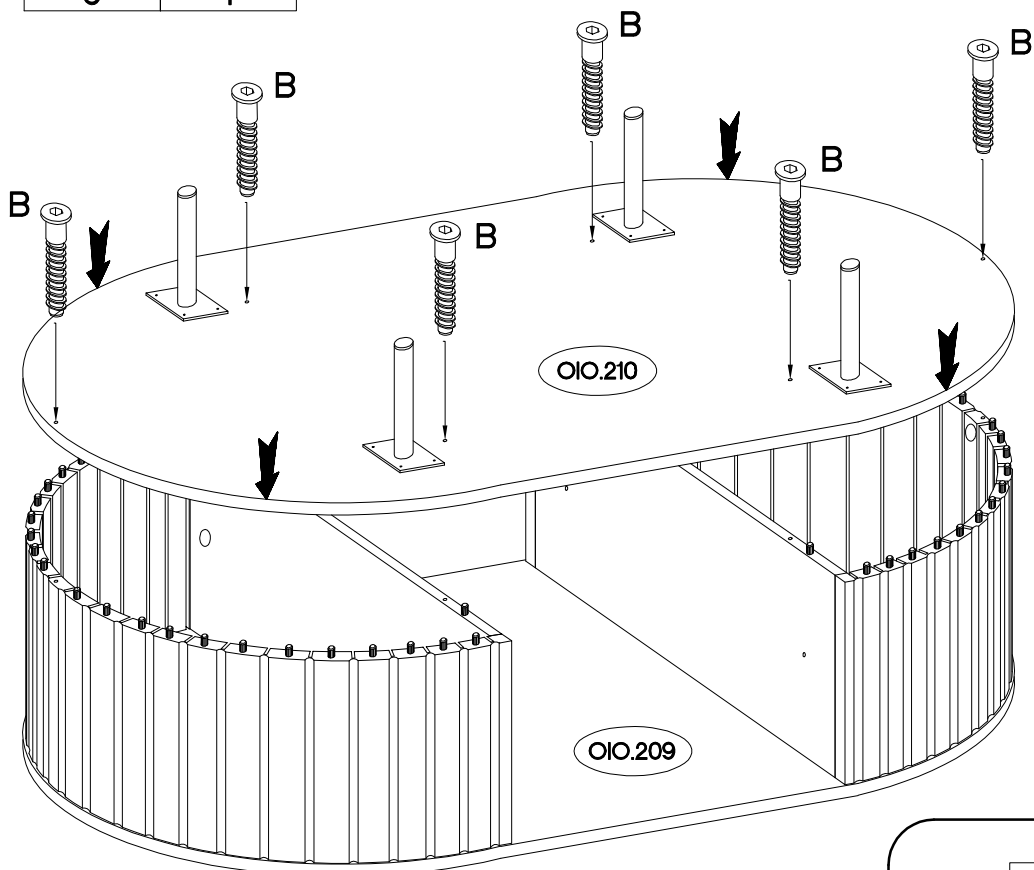
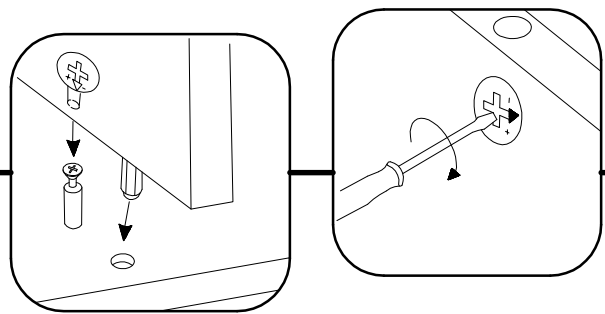


4



5

6,4 x 50mm	
	
B	O
6	1



6

