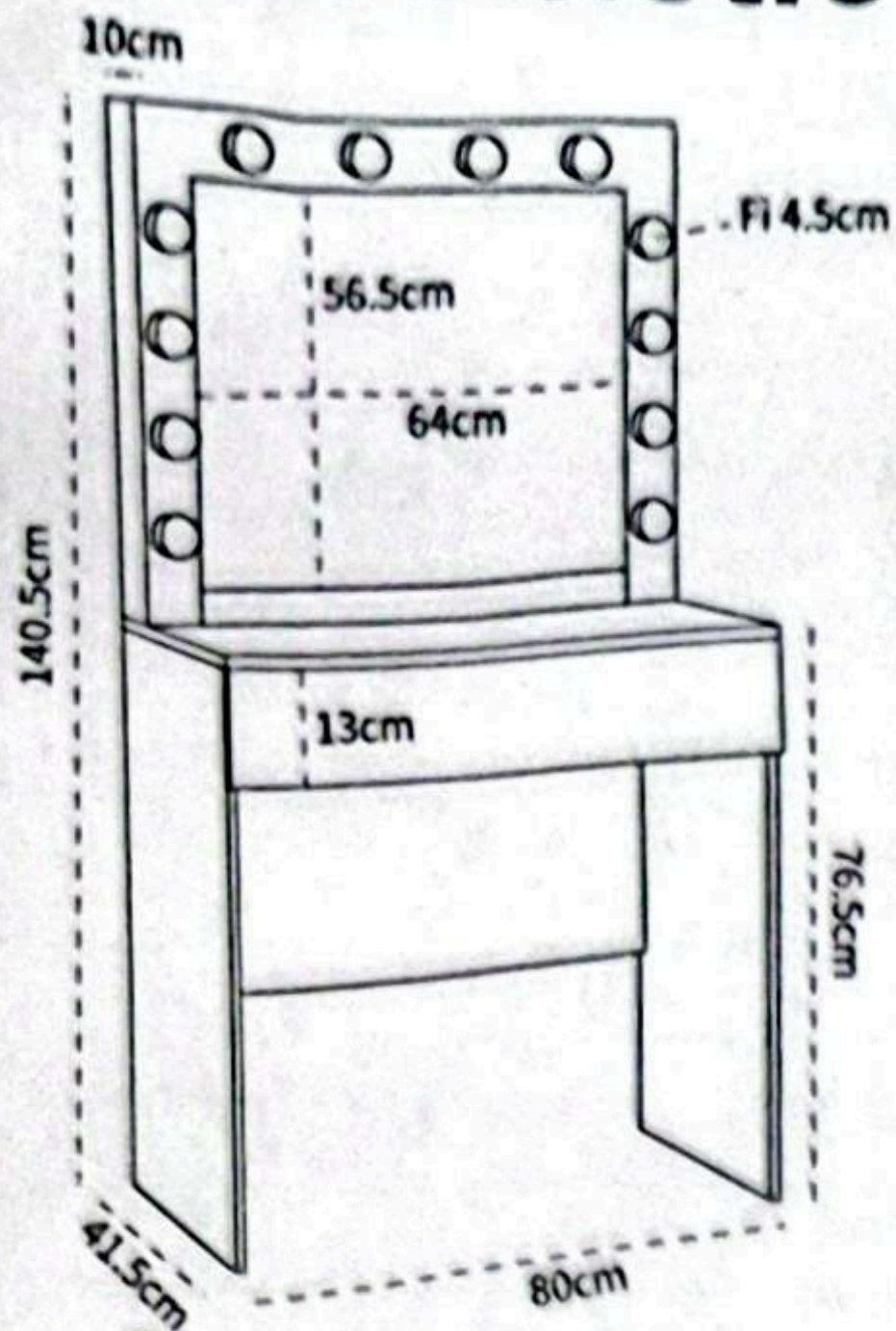






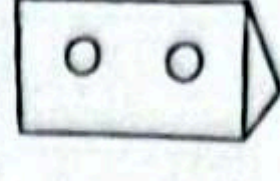



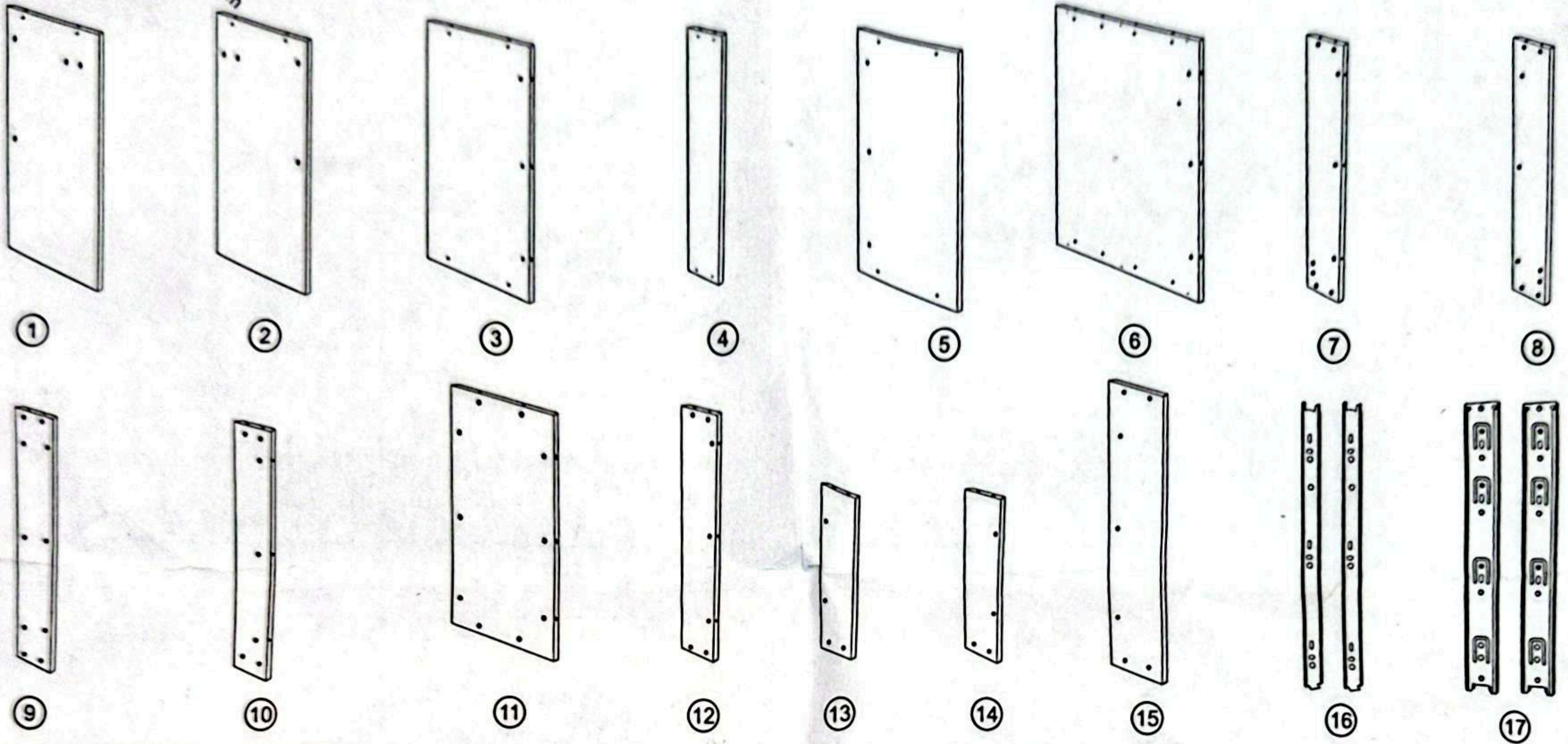
Cosmetic Table Install Manual



Accessories

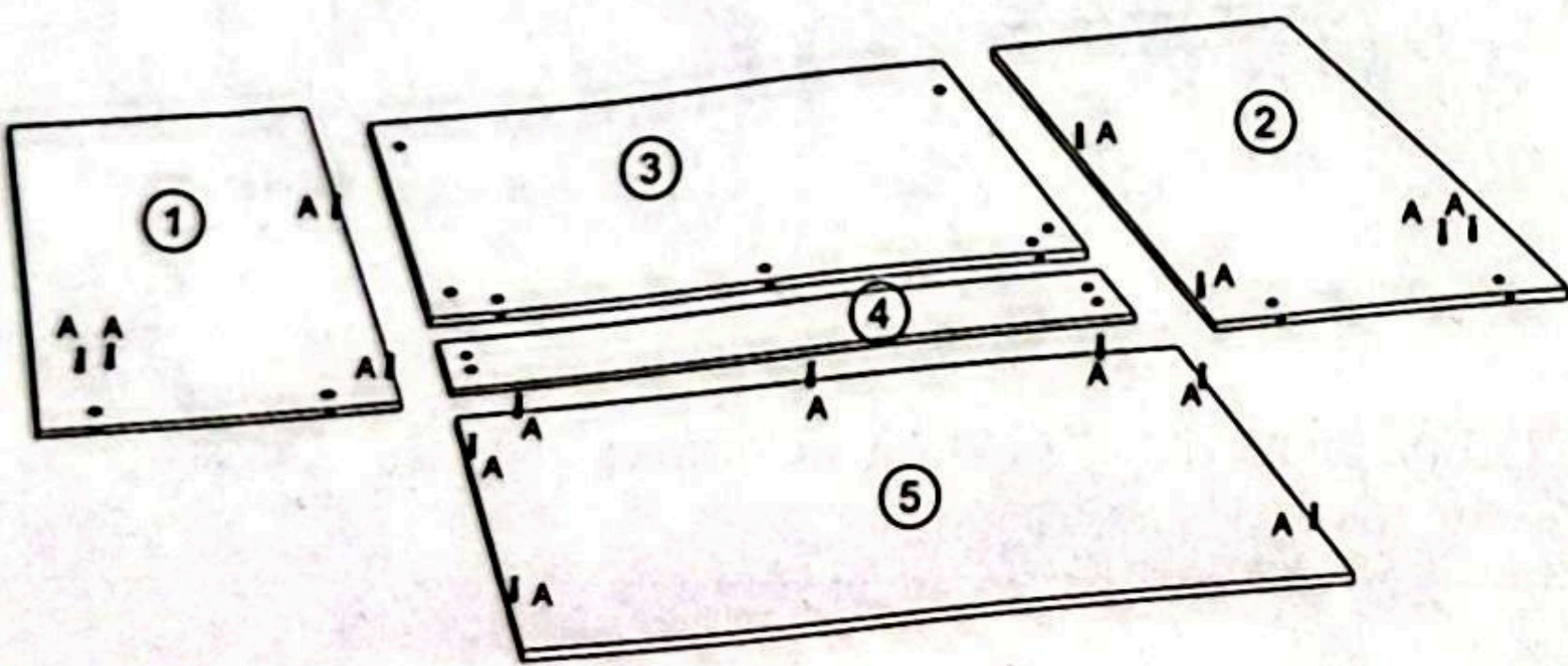
A  52	B  52	C  26	D  12
E 	F  12	G  4	H 

P.S if no number remark means 1pcs.
if photo have 2pcs means 2pcs



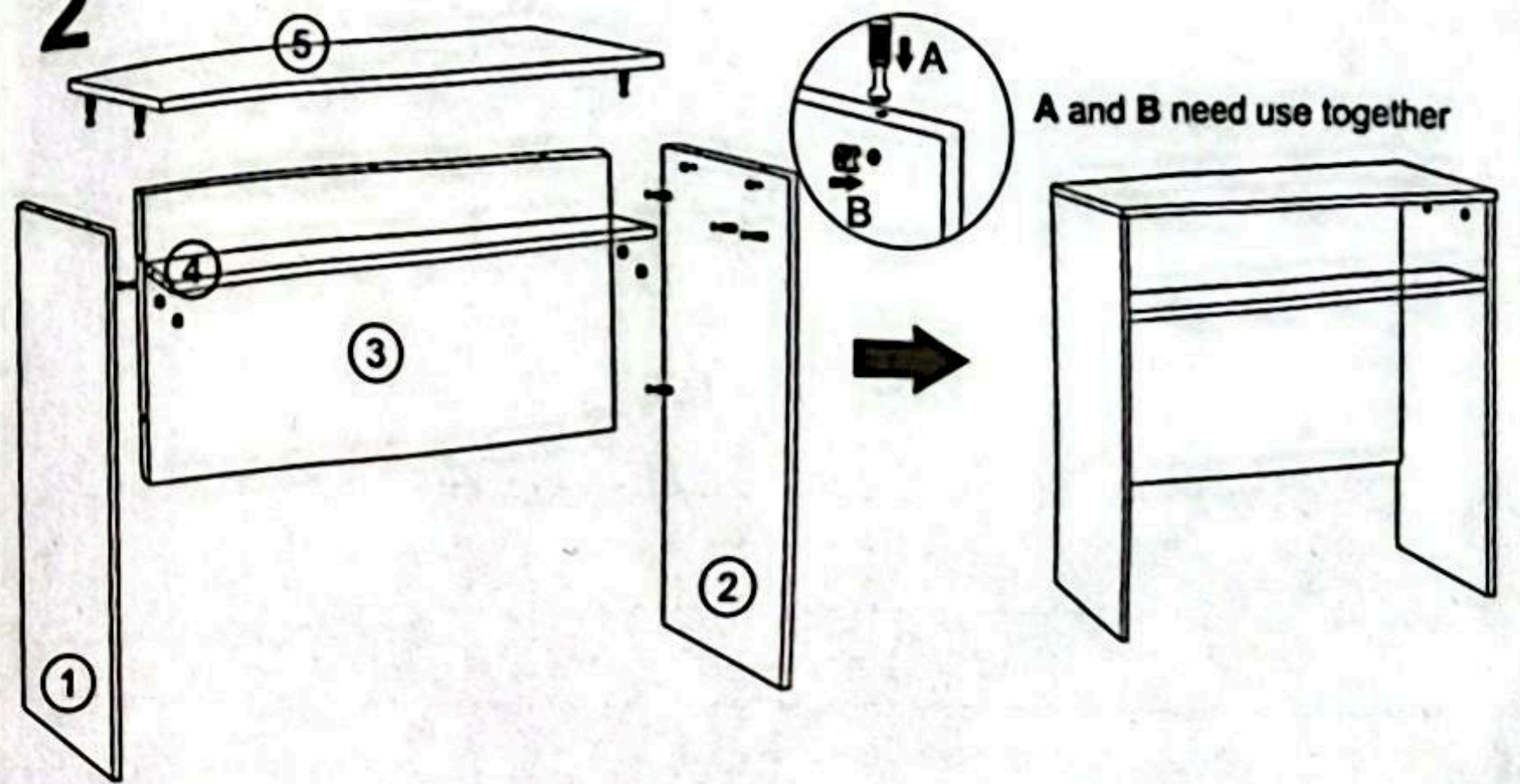
Cosmetic Table installation

1



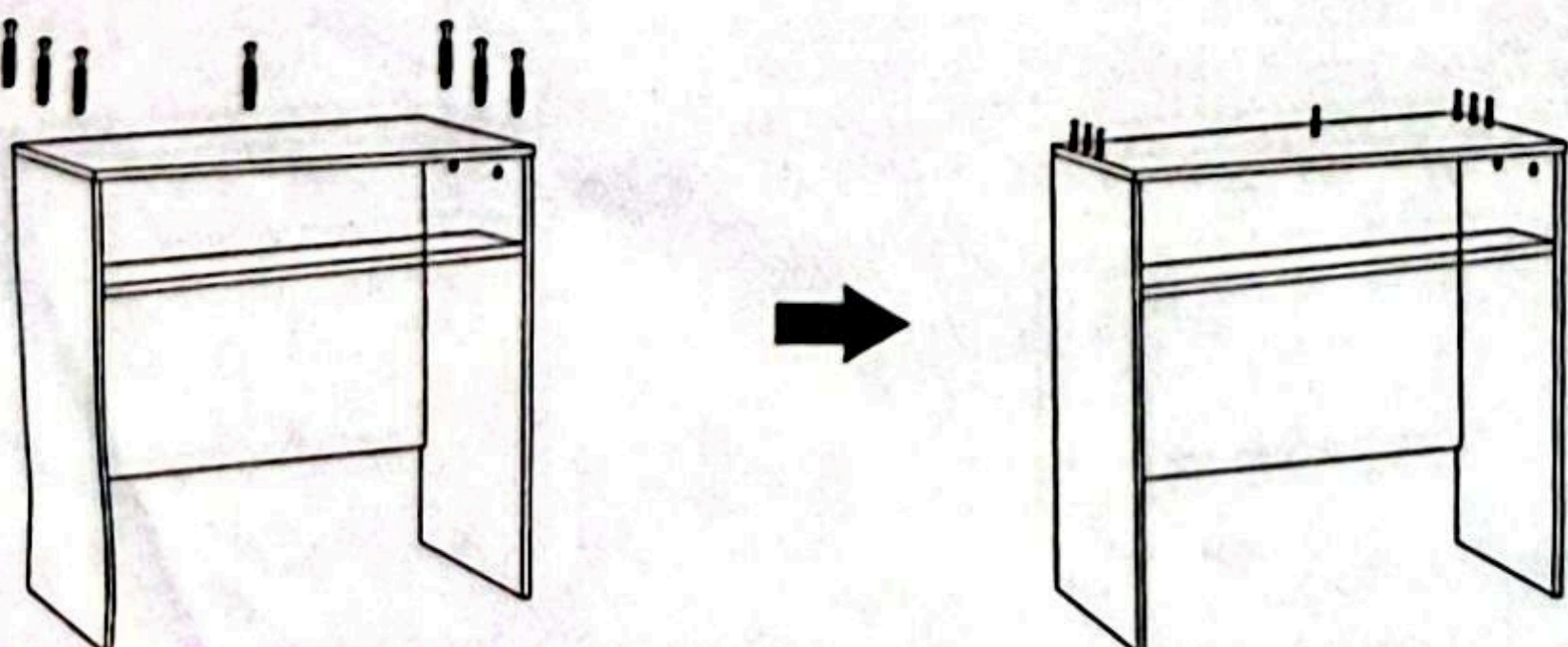
1. Install the base frame, found the screws and screw in A parts. check photo.

2



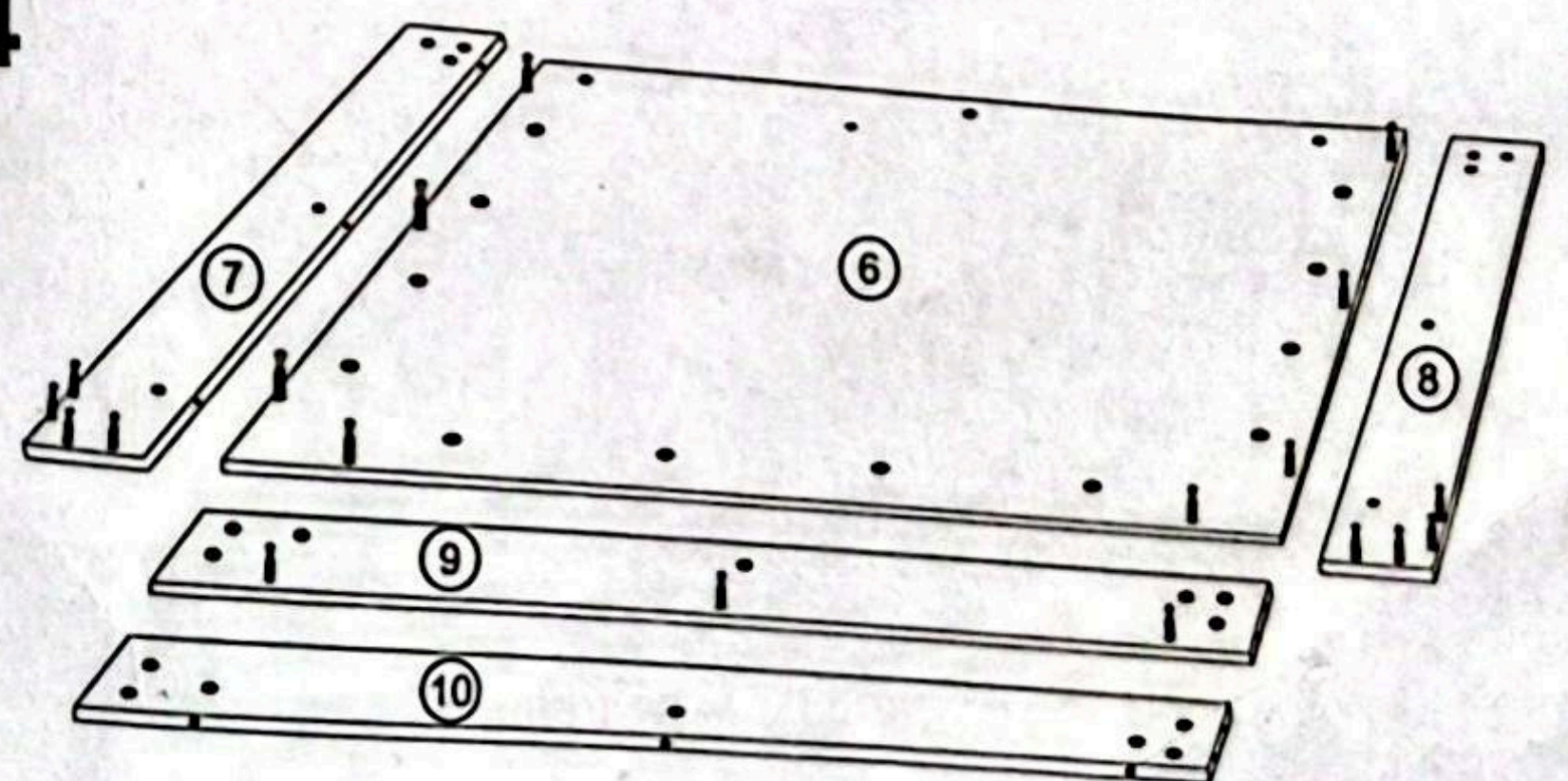
2. As photo show, find the corresponding hole to assemble the base frame.

3



3. As photo show, find the corresponding hole and put A inside.

4



4. Assemble upper frame, find the corresponding accessories as photo show, then put A inside.

