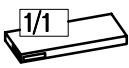

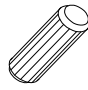
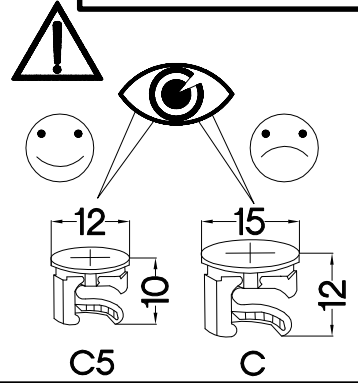
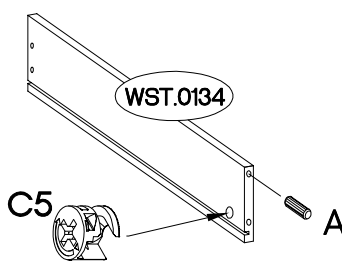
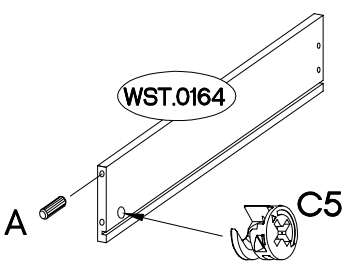
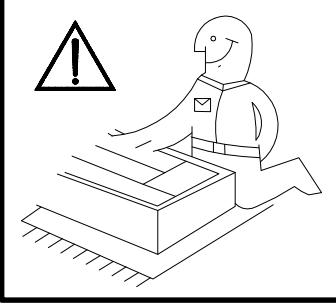
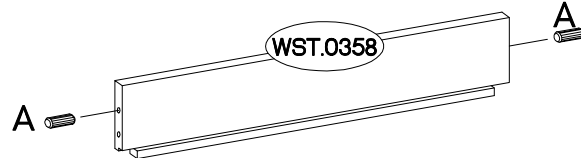


	Ersatzteil Nummer	Dimension
	OIO.205	1806x423x16
	OIO.206	1806x423x16
	OIO.507 x2	318x384x16
	OIO.508	318x384x16
	OIO.509	318x384x16
	OIO.401	560x383x16
	OIO.605	327x1781x2,5
	OIO.606	531x348x2,5
	WST.0134	350x100x12
	WST.0164	350x100x12
	WST.0358	520x100x12
	OIO.703	154x572x16
	OIO.704 x2	312x412x16
	OIO.103	318x544x16
	OIO.104	318x544x16




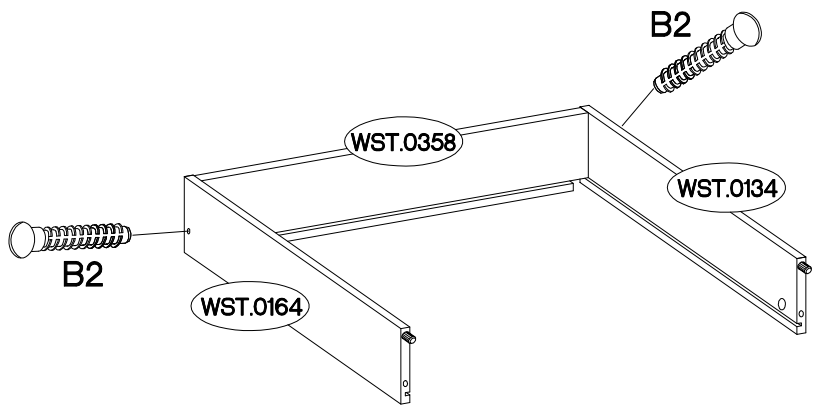
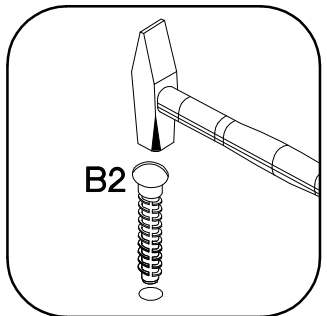
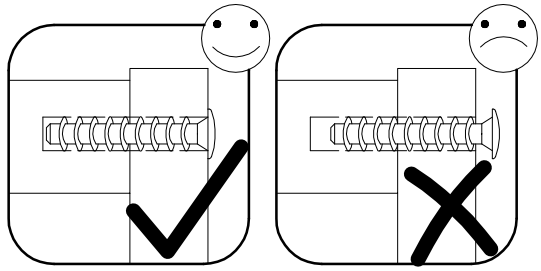
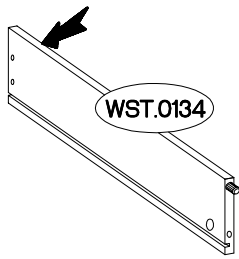
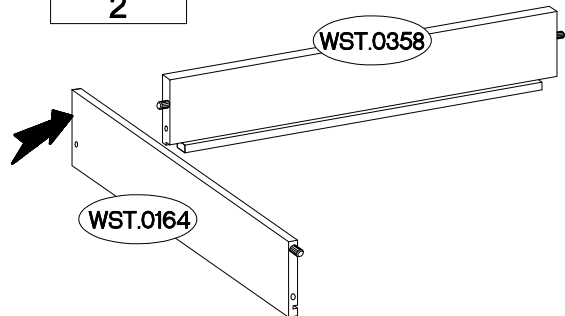
1

$\pm 12/10\text{mm}$  C5 2	$\pm 8 \times 30\text{mm}$  A 4
---	--




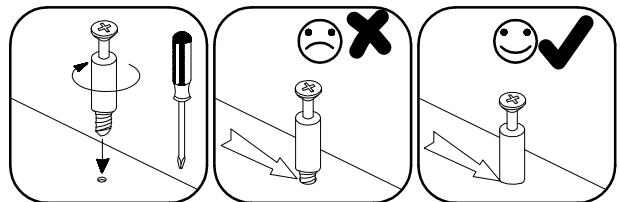
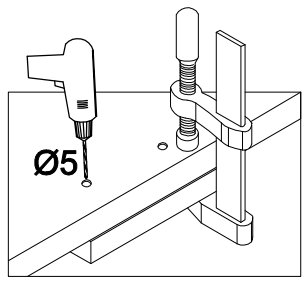
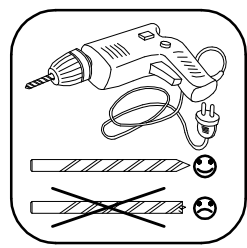
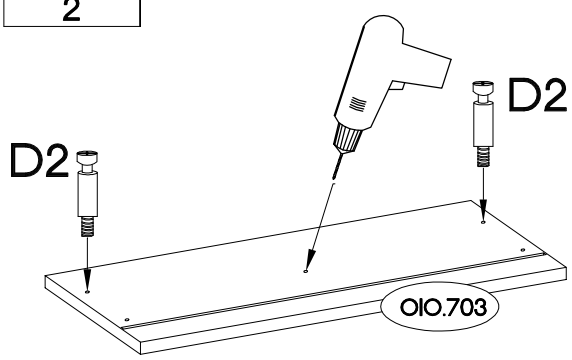
2

$\pm 6 \times 42\text{mm}$  B2 2
--

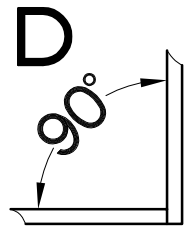
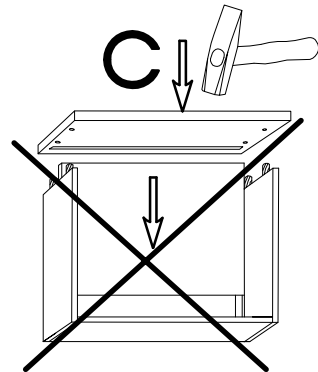
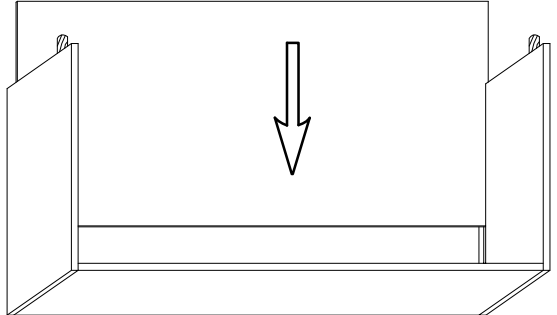
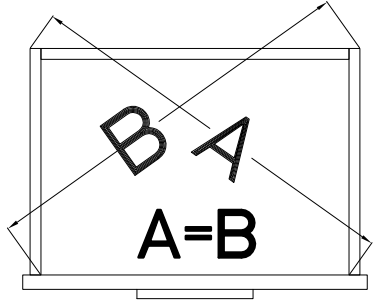
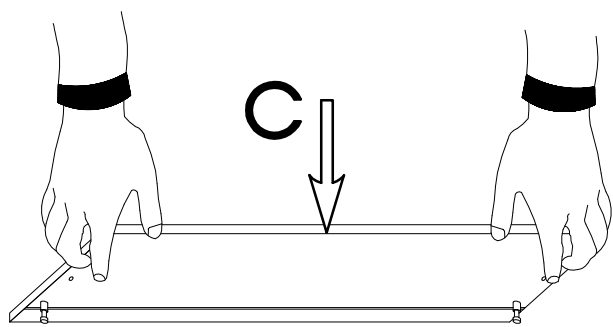
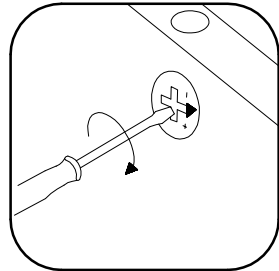
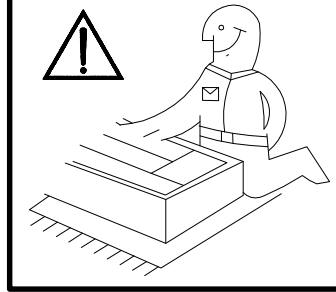
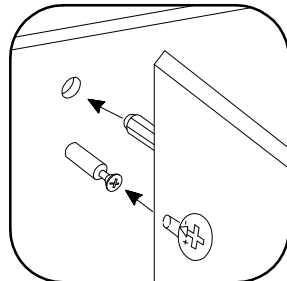
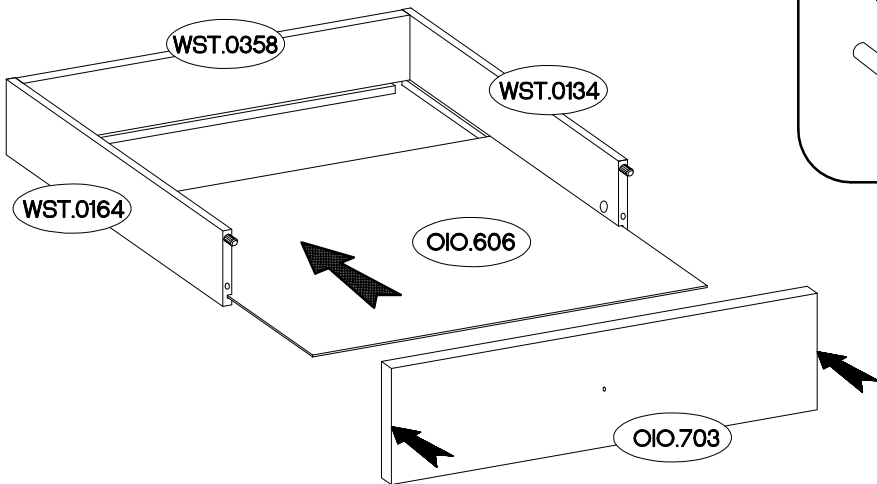


3

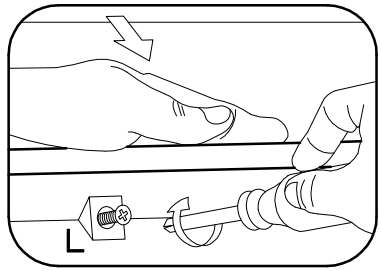
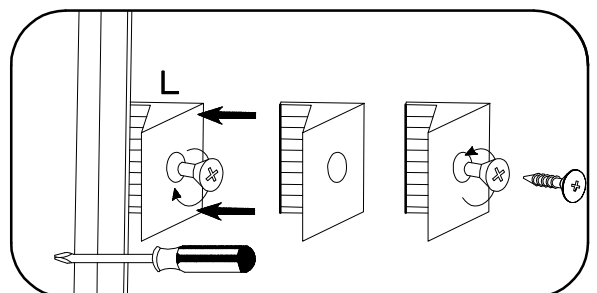
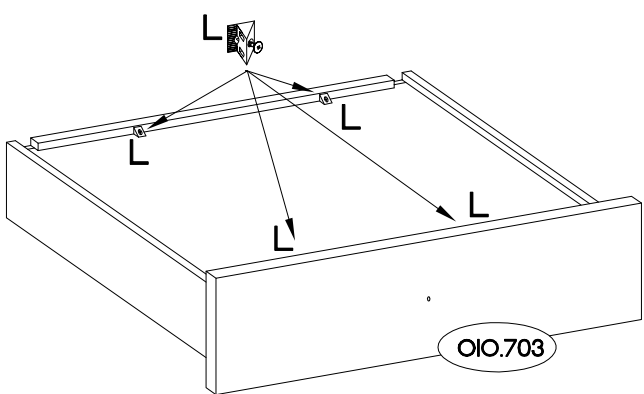
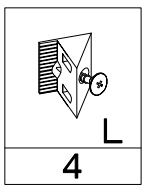
L=20mm  D2 2
--

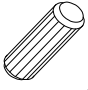



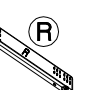



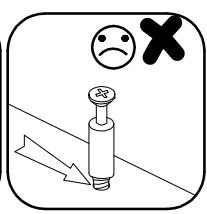
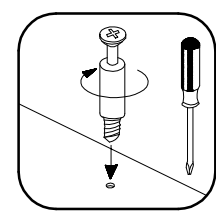
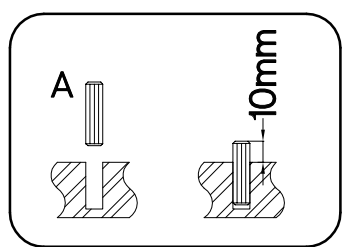
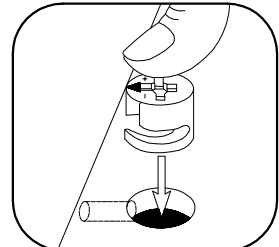
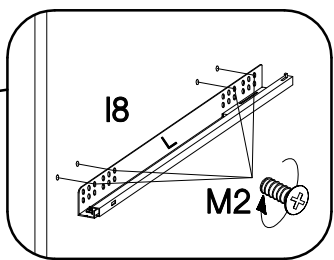
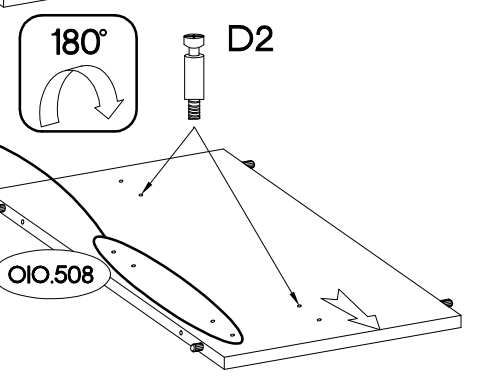
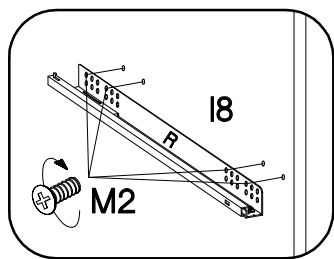
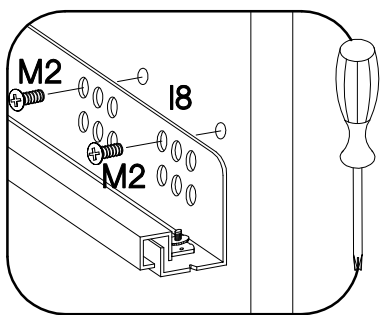
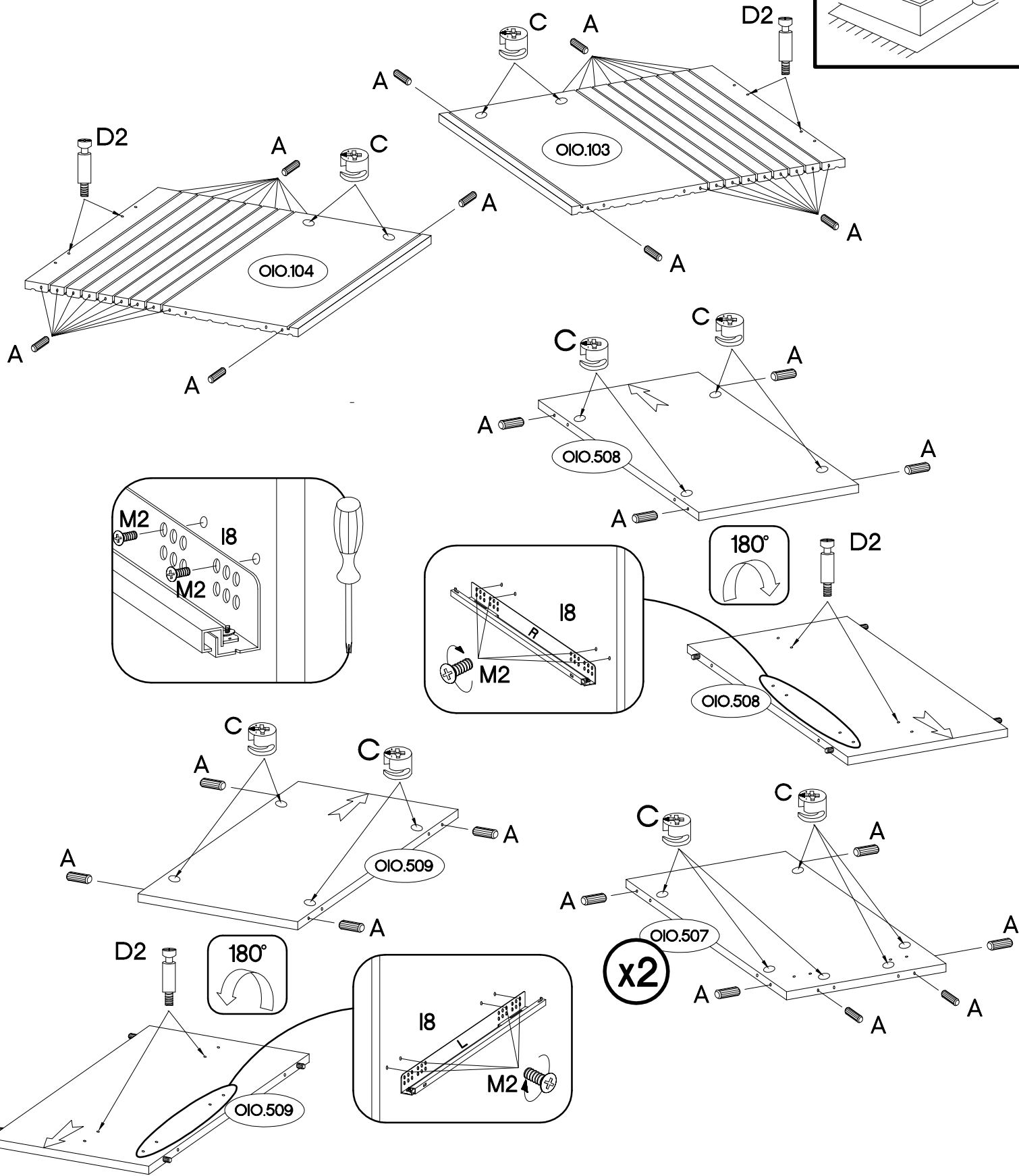
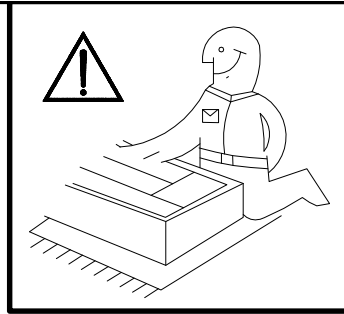
4








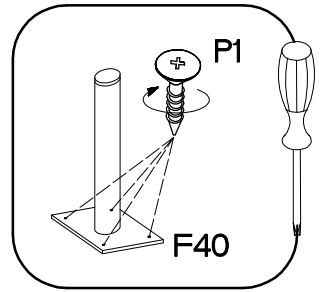
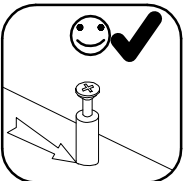
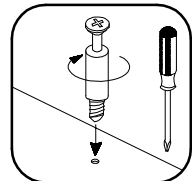
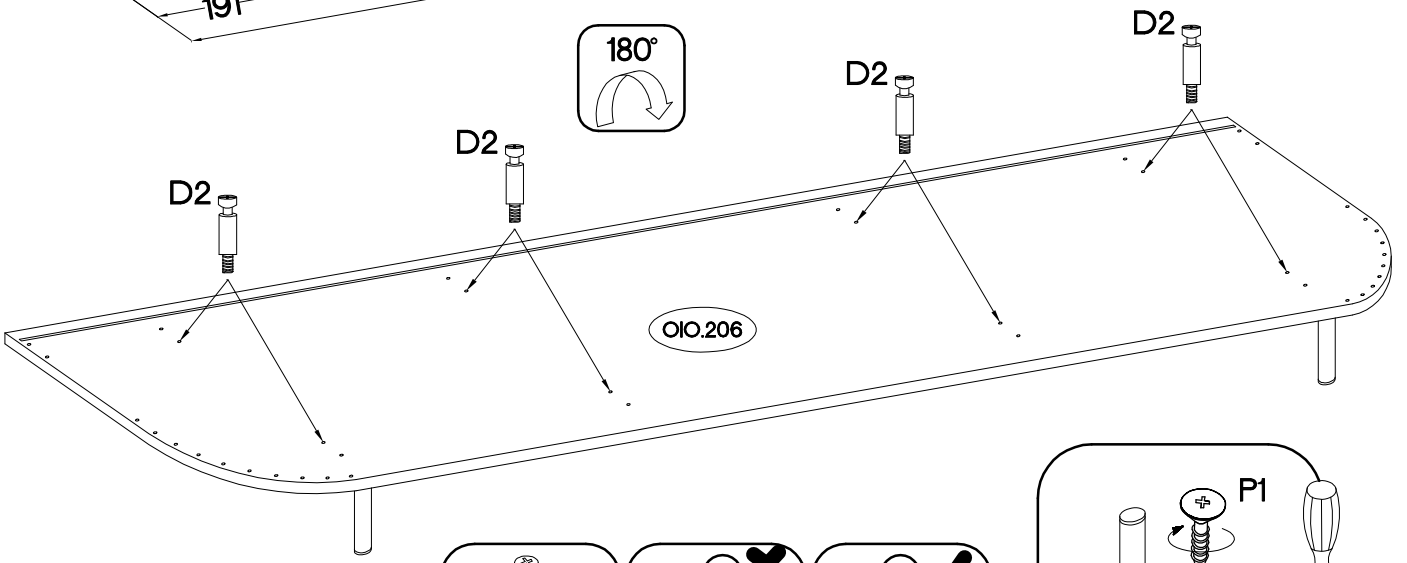
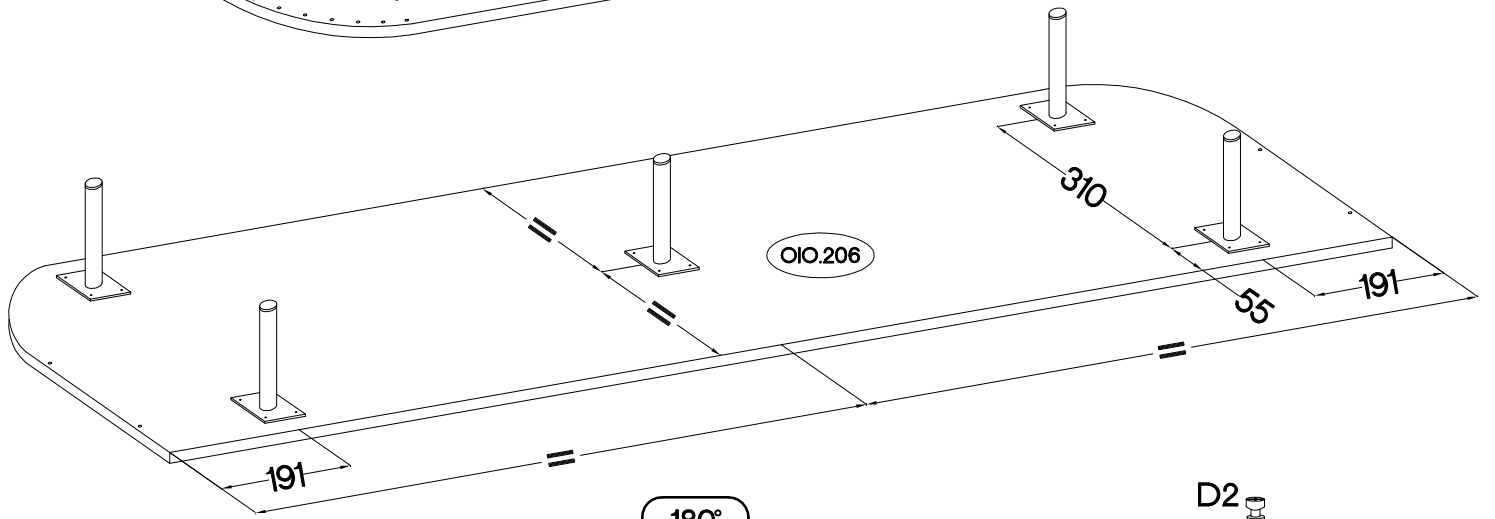
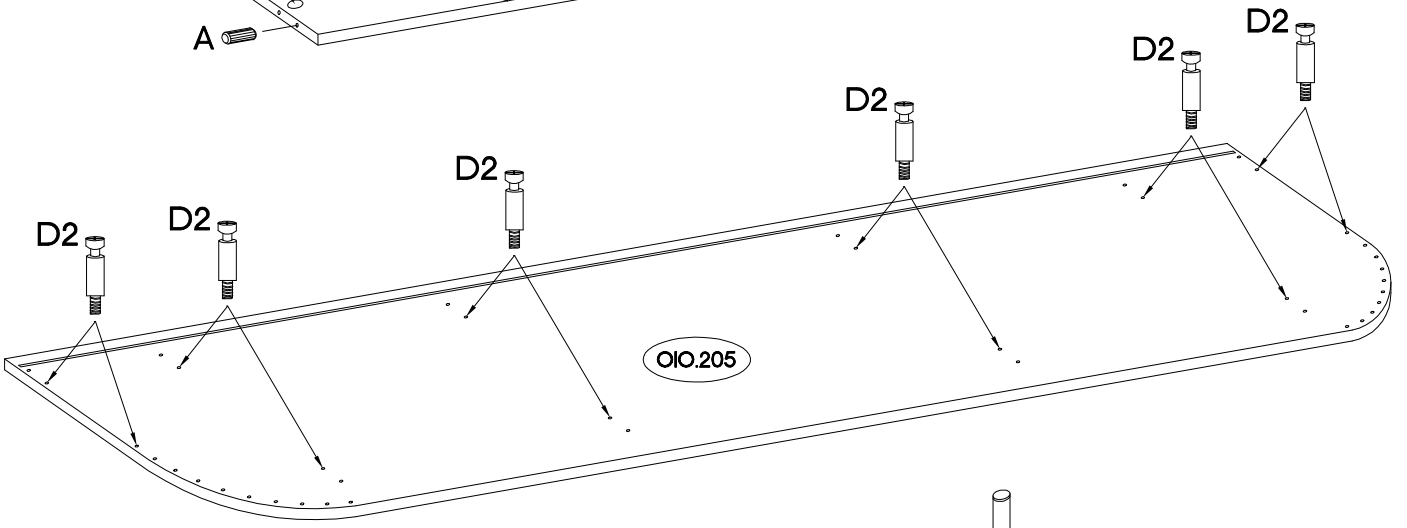
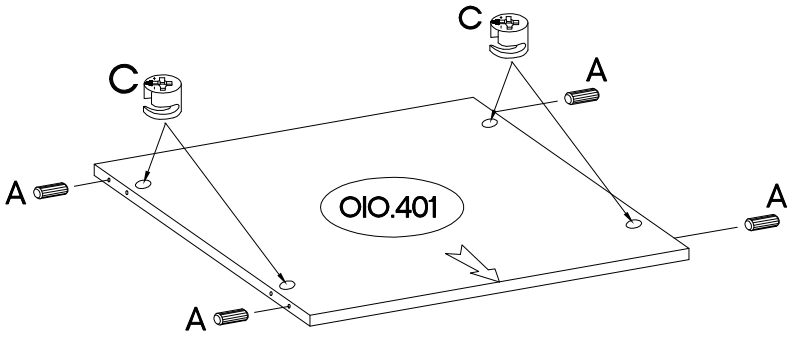
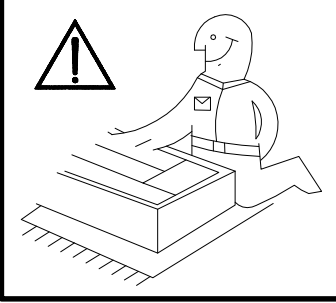
5



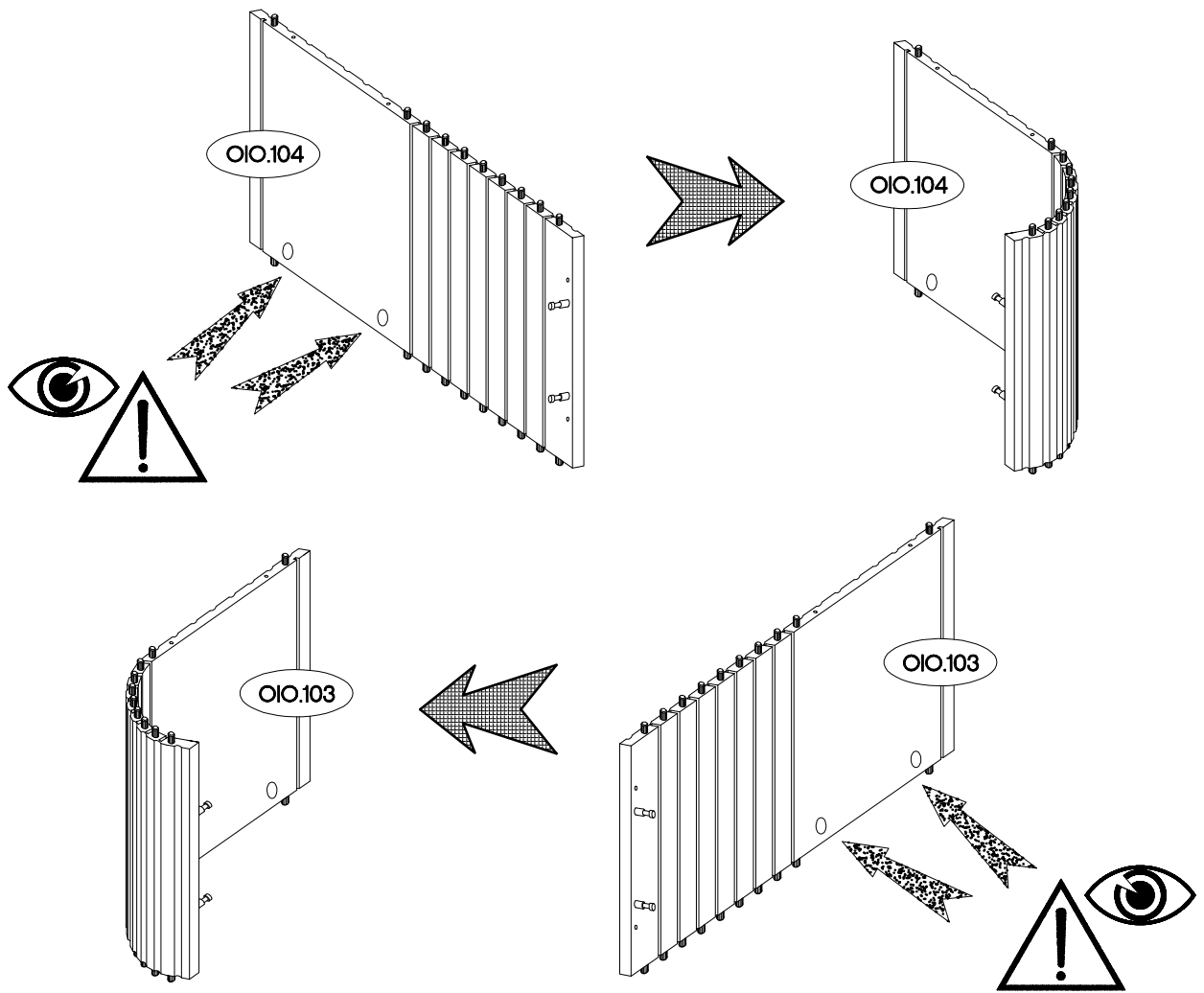
$\pm 8 \times 30 \text{mm}$  A 60	$\pm 15 / 12 \text{mm}$  C 24	L=20mm  D2 8	L  L=350mm 1	[CD] R  R 18	$\pm 6.3 \times 13 \text{mm}$  M2 8
--	--	---	--	---	--



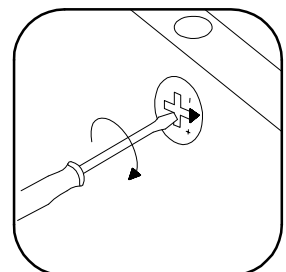
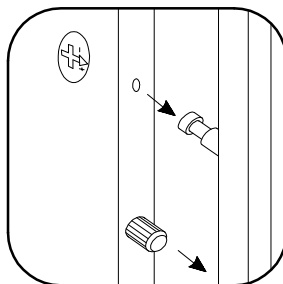
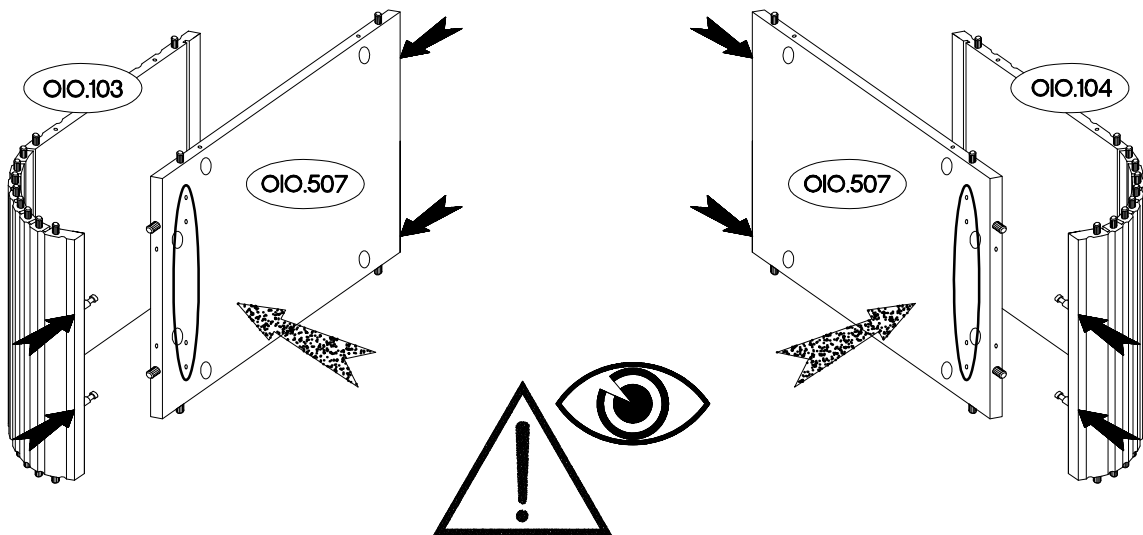
L=20mm  D2 20	L=150mm  F40 5	4.0x16mm  P1 20	8x30mm  A 4	15/12mm  C 4
--	---	--	--	---



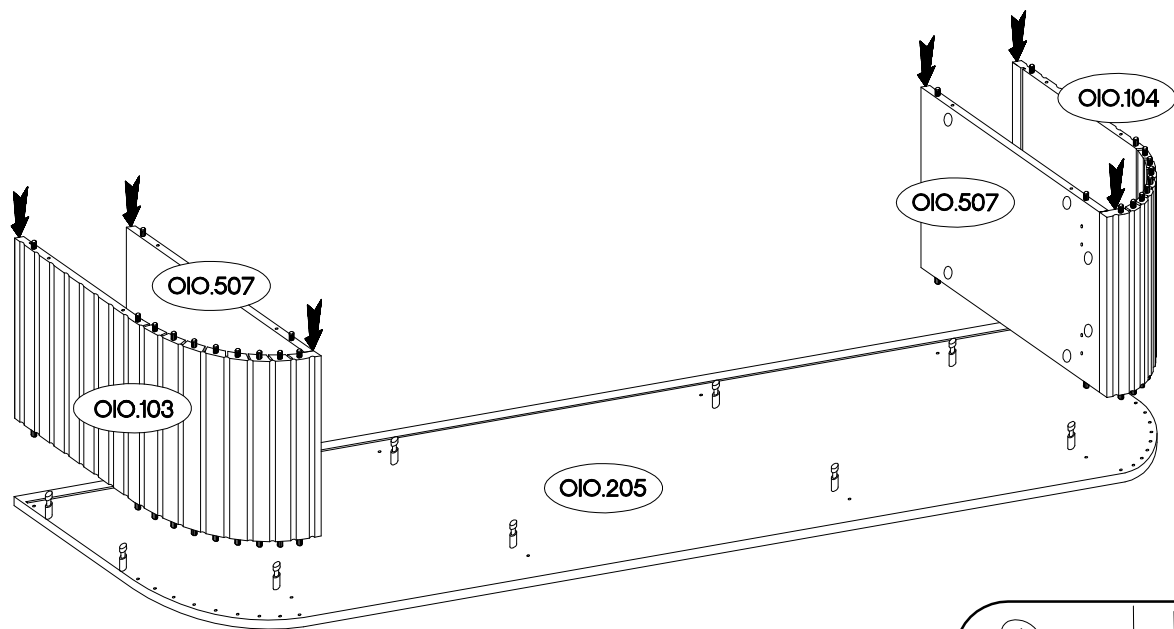
8



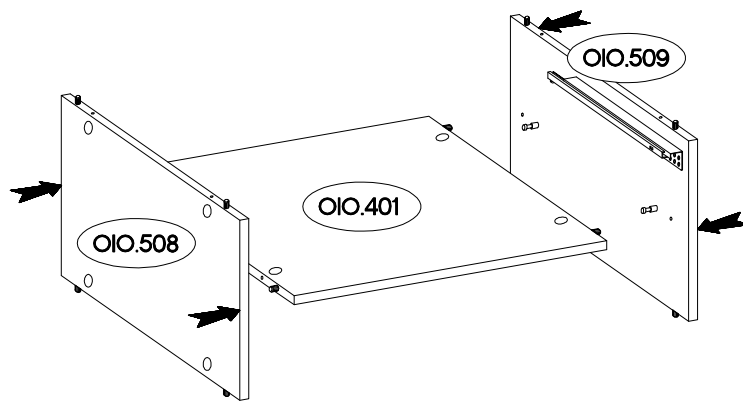
9



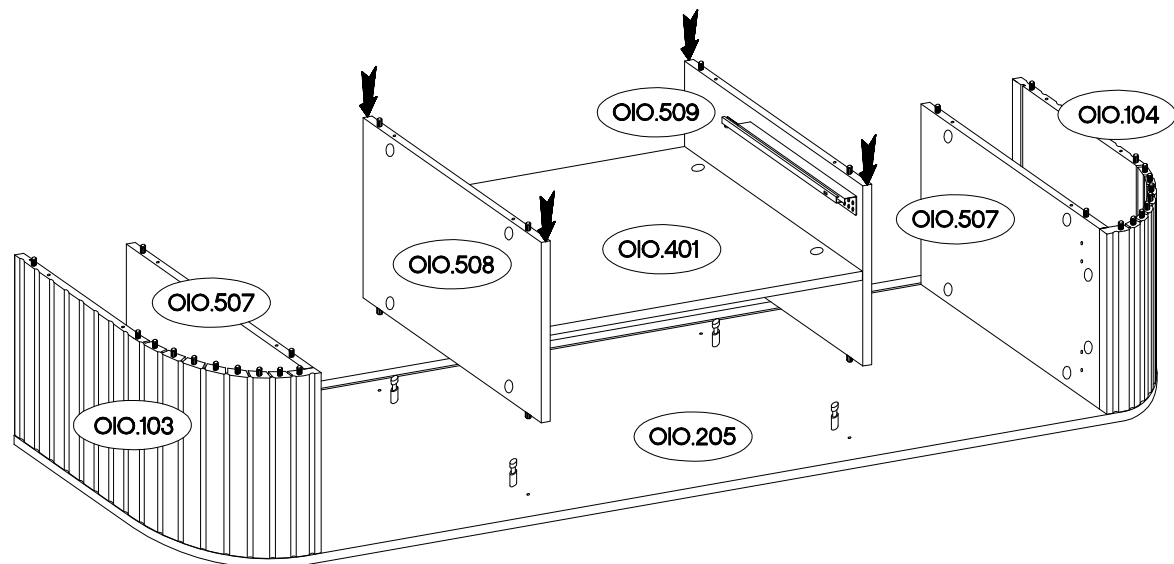
10


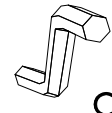
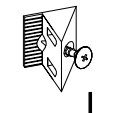



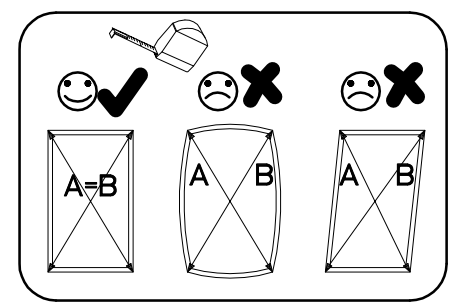
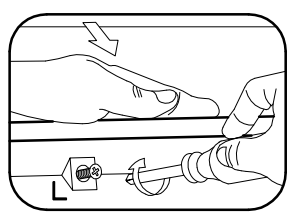
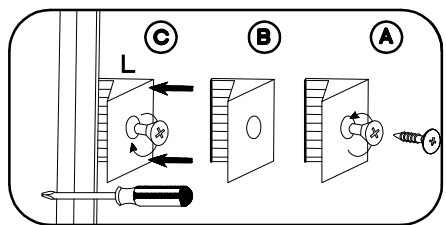
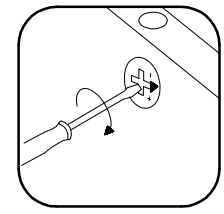
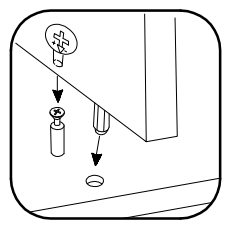
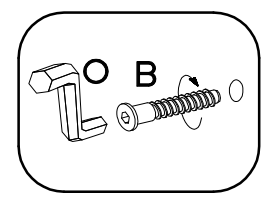
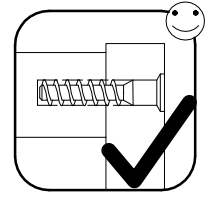
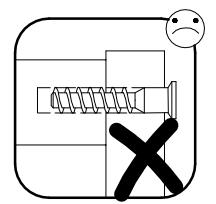
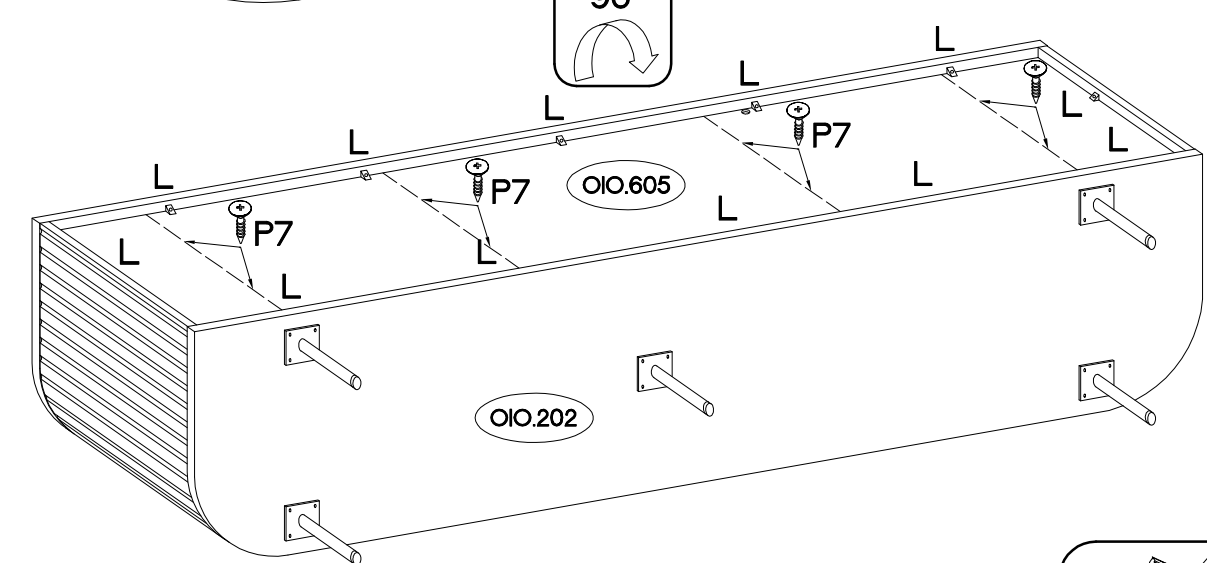
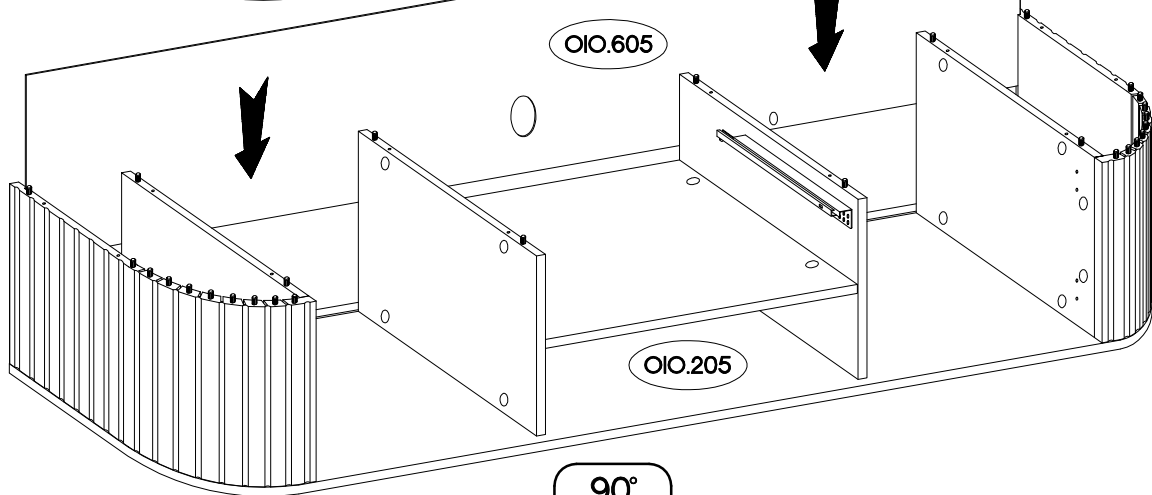
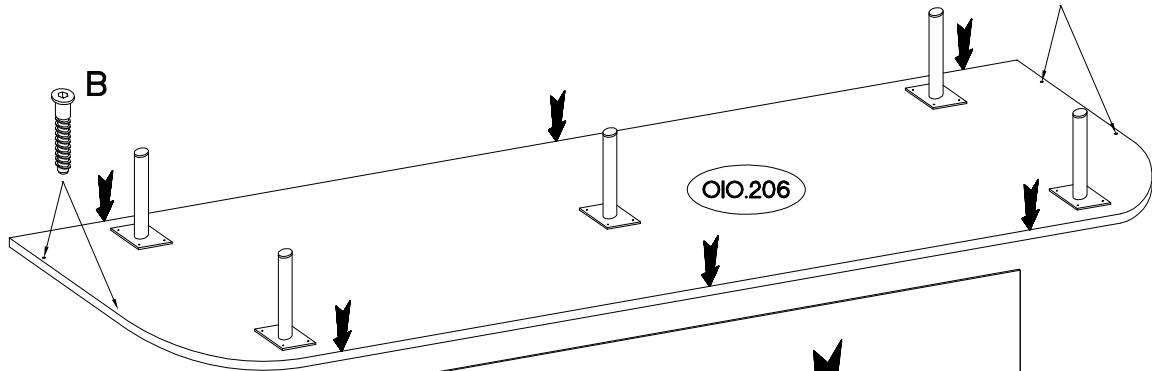
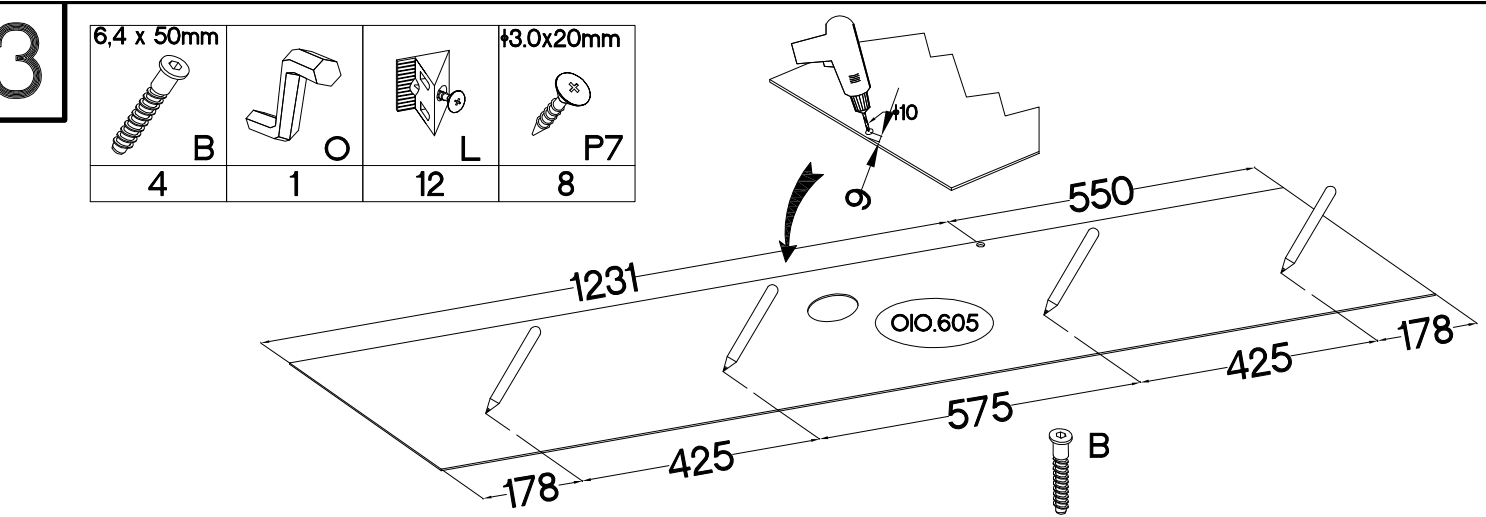
11






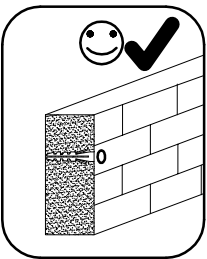
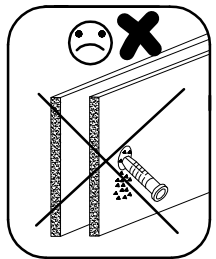
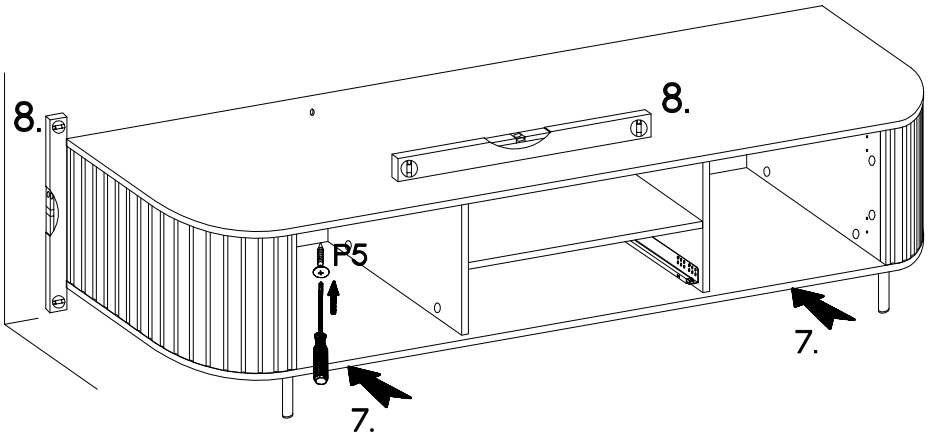
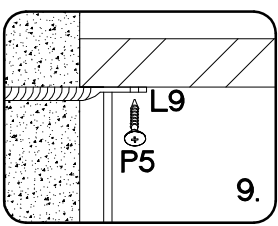
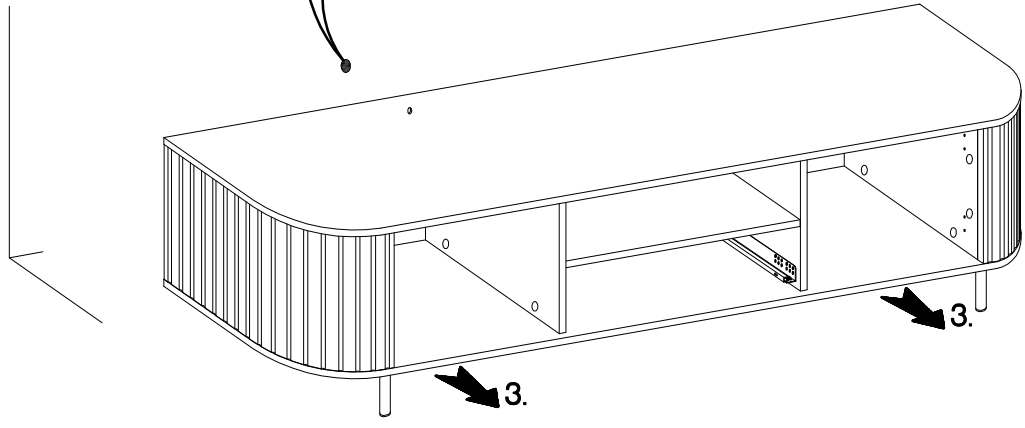
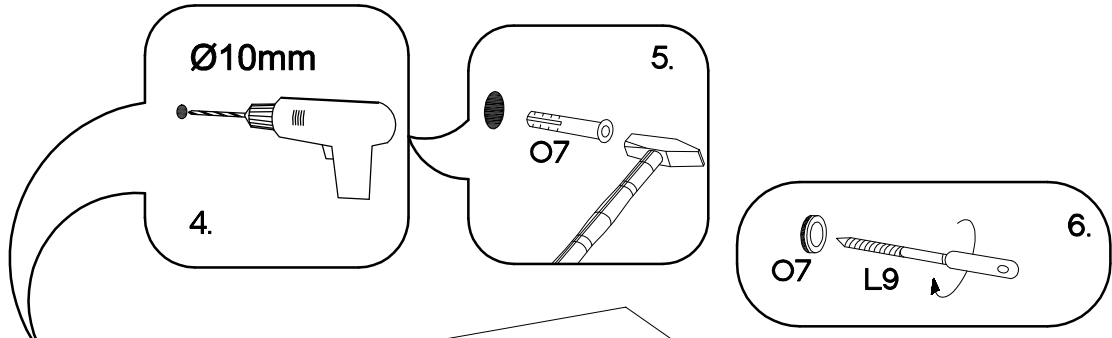
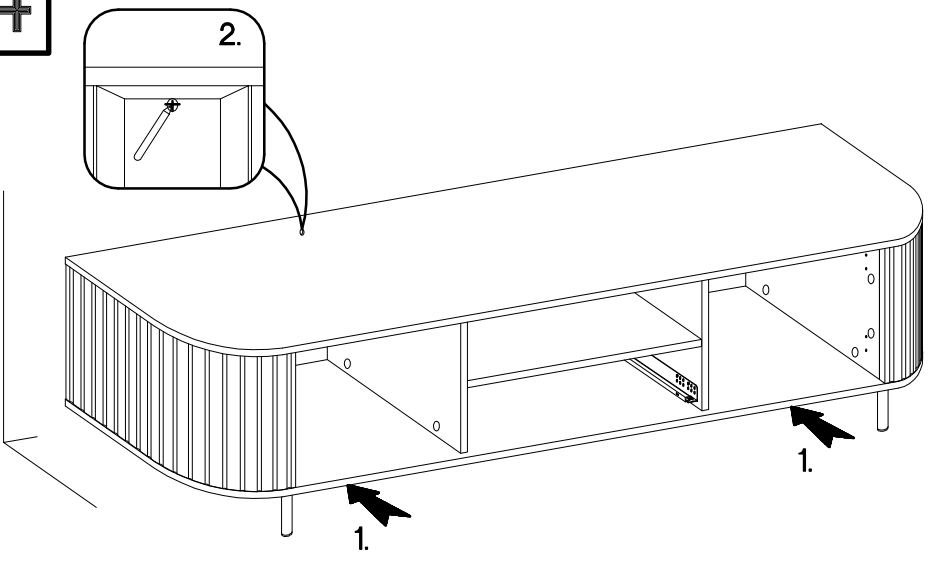
12

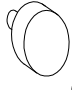

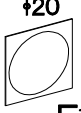


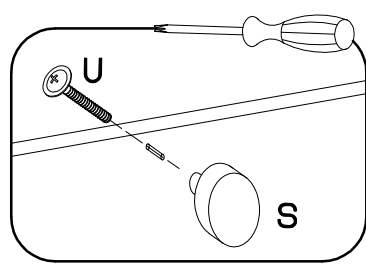
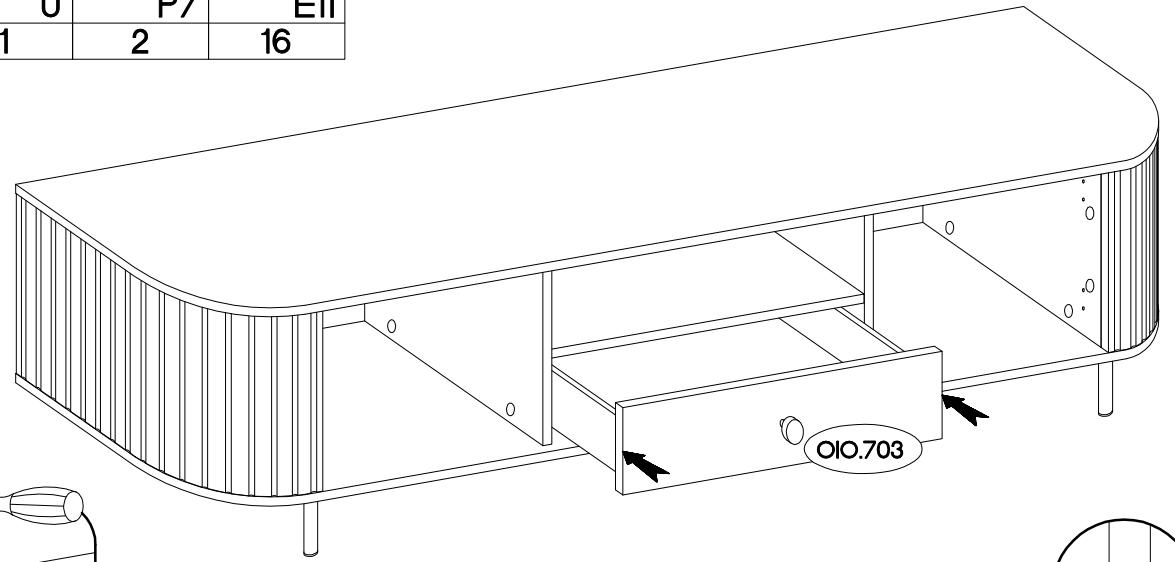
6,4 x 50mm  B 4	 O 1	 L 12	±3.0x20mm  P7 8
--	--	---	--



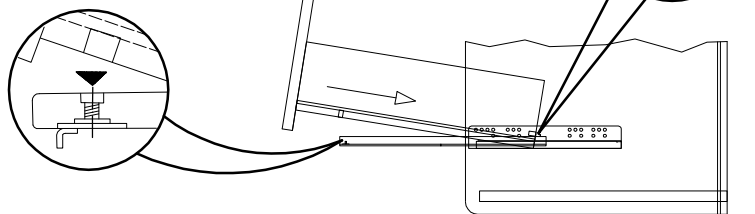
$\pm 10 \times 50 \text{mm}$  Ø7 1	 L9 1	$\pm 3.5 \times 13 \text{mm}$  P5 1
---	---	---



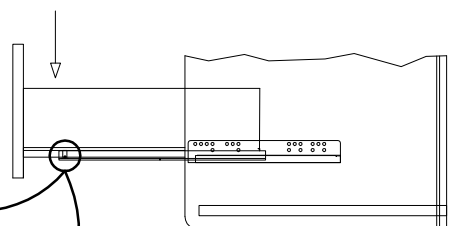
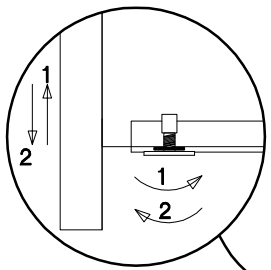
	M4x22mm		+3.0x20mm		+20
S		U		E11	
1		1	2	16	



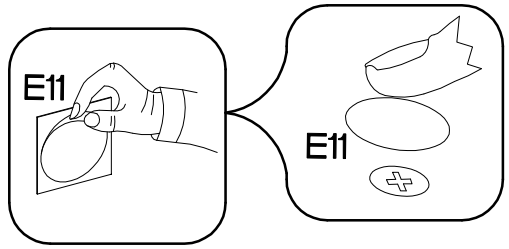
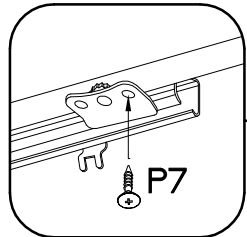
1.





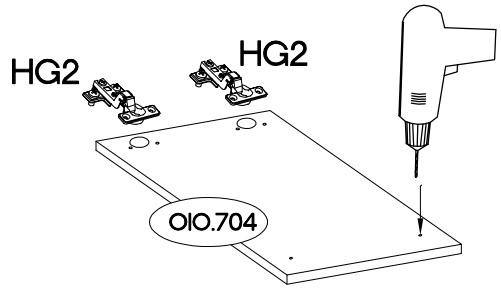
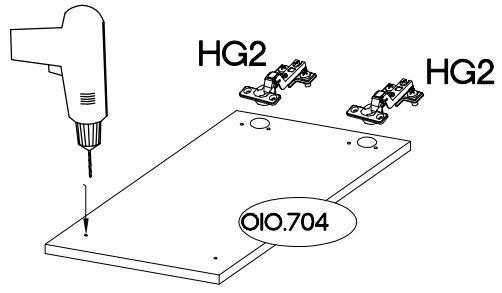
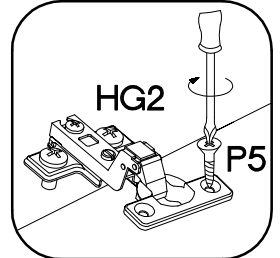
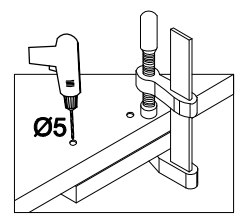
2.

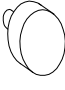


3.



	+35/16mm		+3.5x13mm
[CD] HG2		P5	
4		8	



	M4x22mm
S	U
2	2

