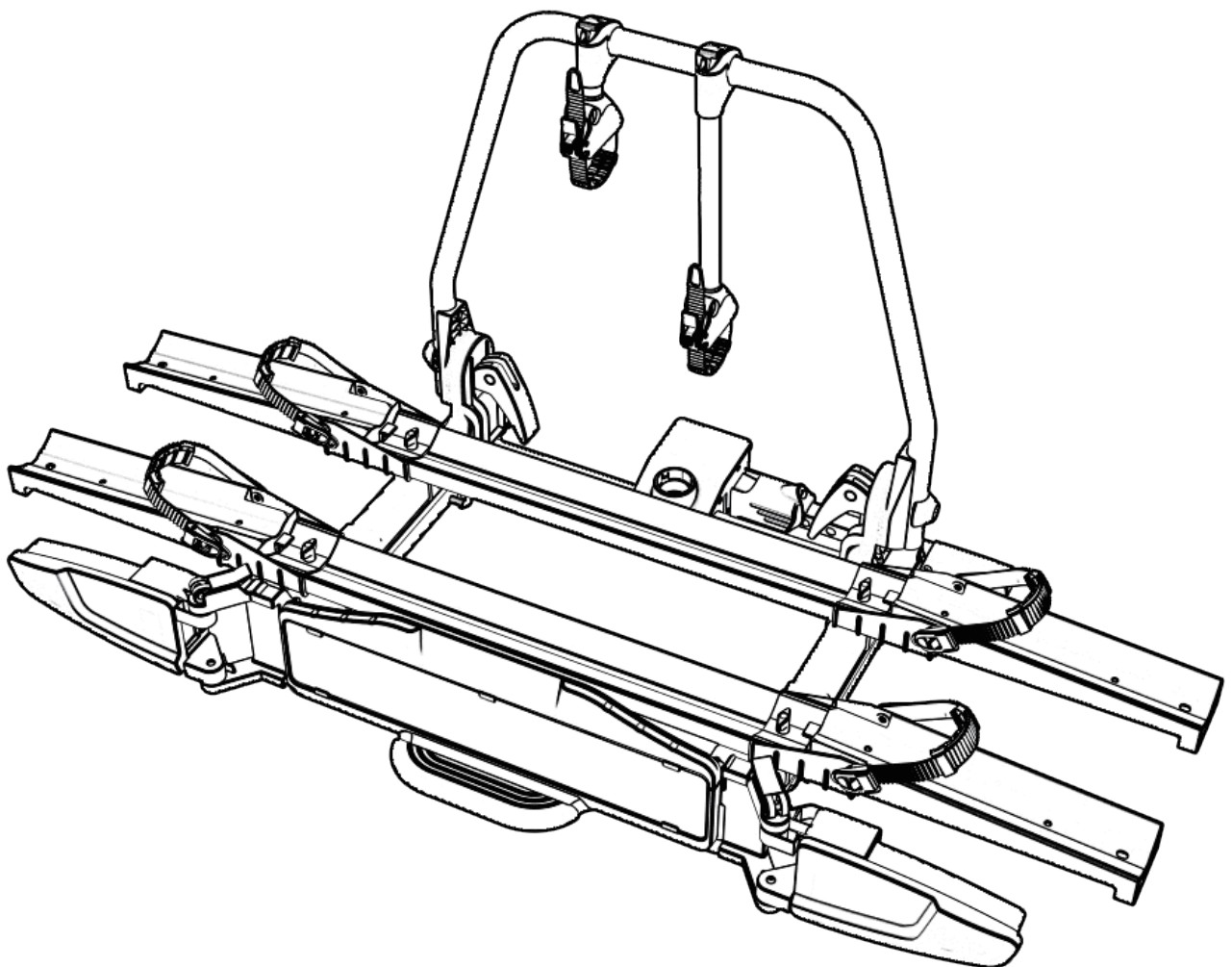


LX2

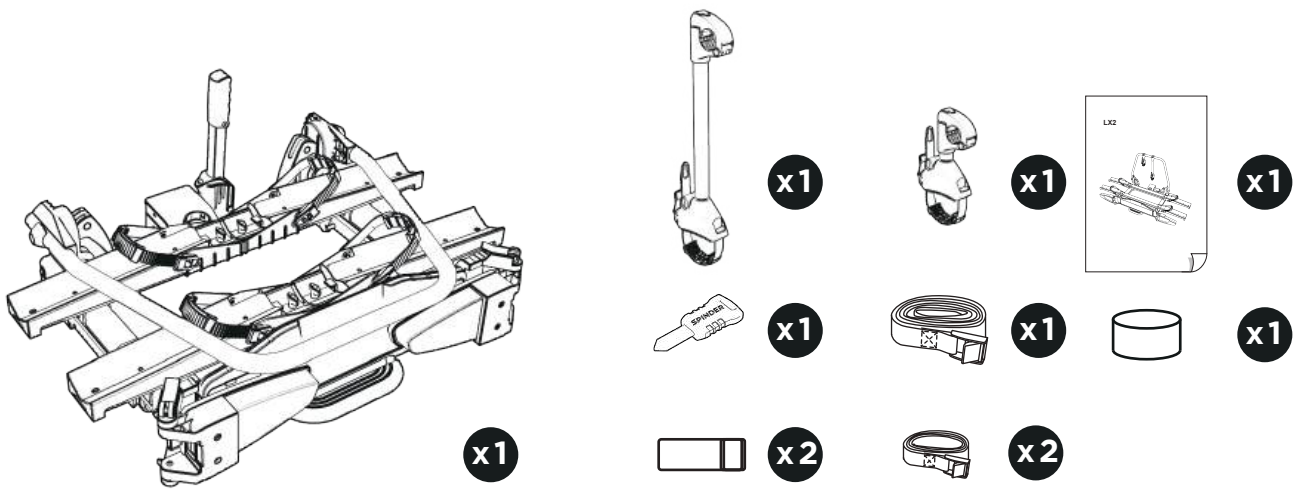


*for full written manual
scan QR code or visit
www.spinder.com*



*European type approval
E4 26R-04 0747*

Scope of delivery

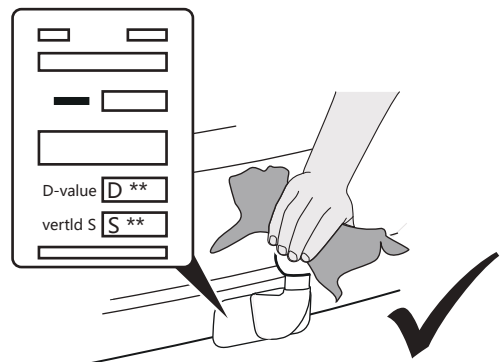



i




 15.8 kg	40 kg	Max 24.2 kg
	50 kg	Max 34.2 kg
	60 kg	Max 44.2 kg
	75 kg	Max 59.2 kg
	90 kg	Max 60 kg ⚠
	120 kg	Max 60 kg ⚠

Material:	min. steel St52 or grey cast iron GG52
D-value:	>7,6 kN
Tow ball:	ø50mm (class A-50 according EC 94/20 or ECE R55)






Max. frame diameter : 110 mm



Max. wheel base : 1400 mm



Max. tire width : 80 mm



Max . 30kg per bike



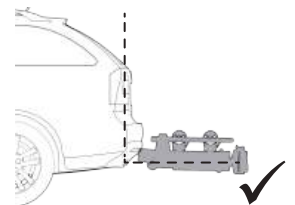
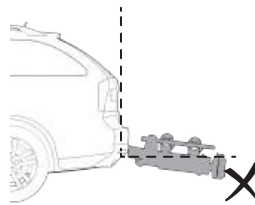
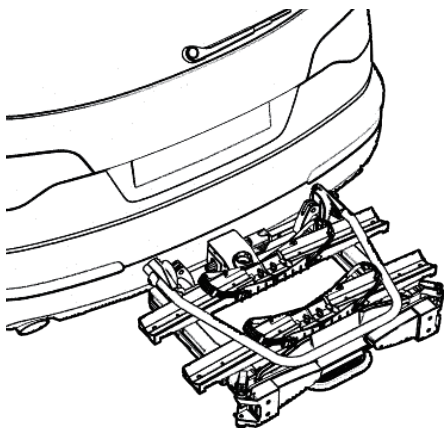
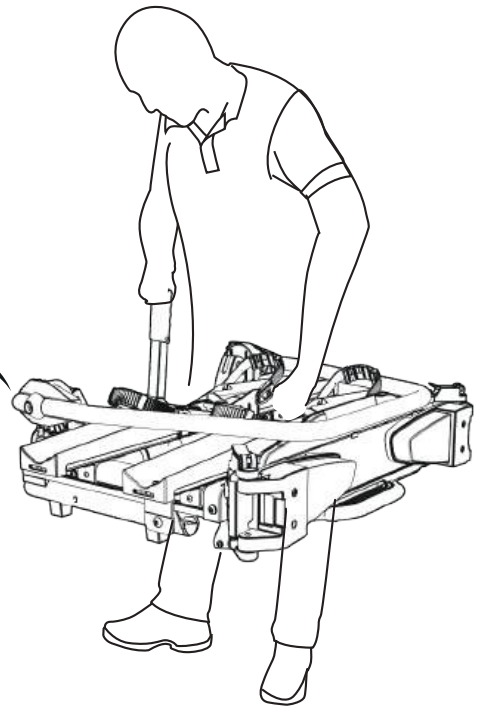
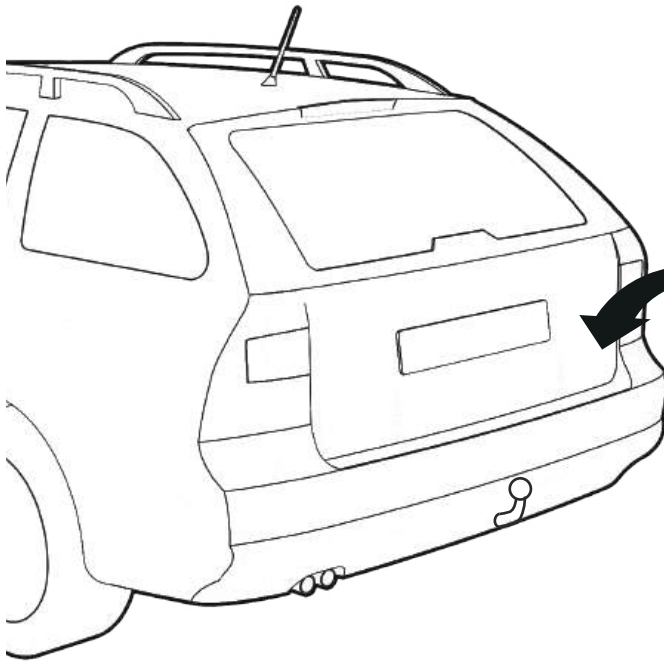
Product weight



Max . load

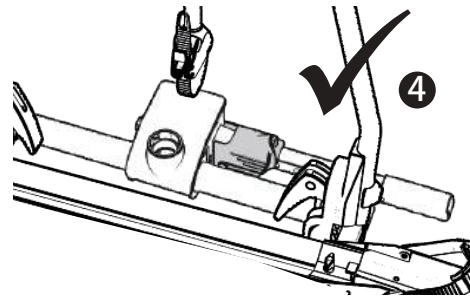
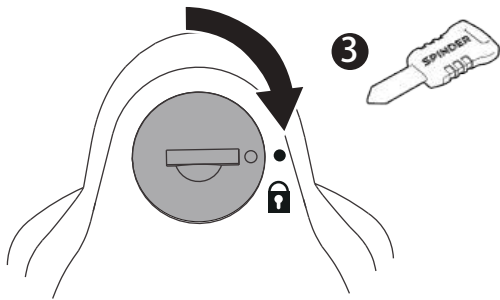
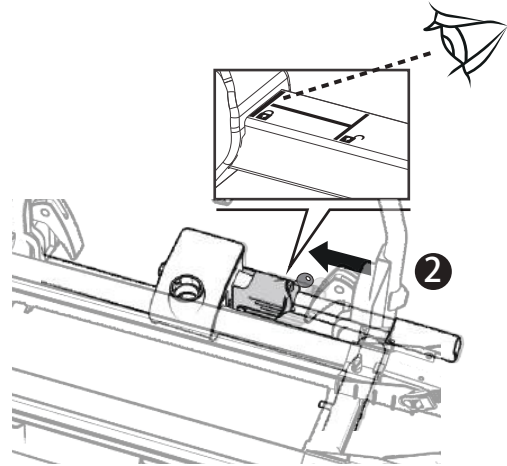
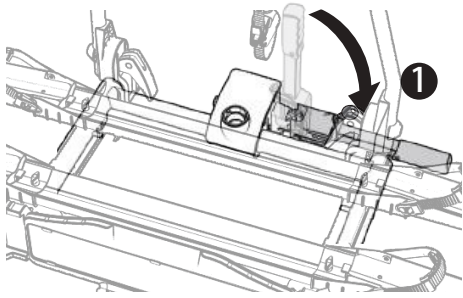


Max . speed



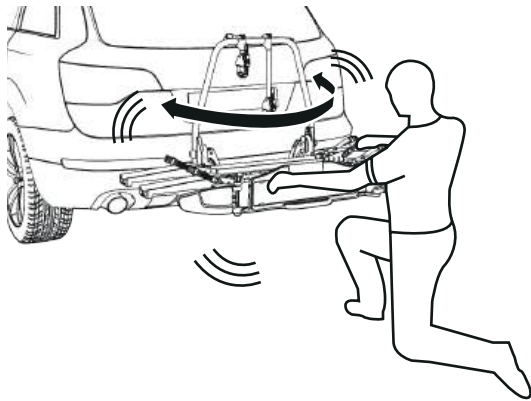


Max.40 kg *

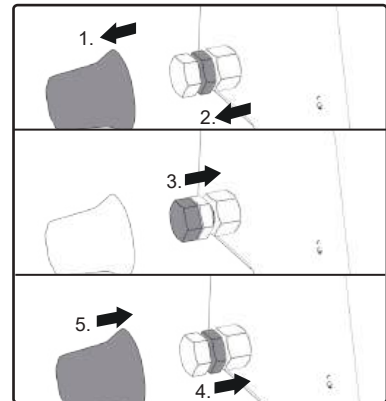


* < 40 kg

A

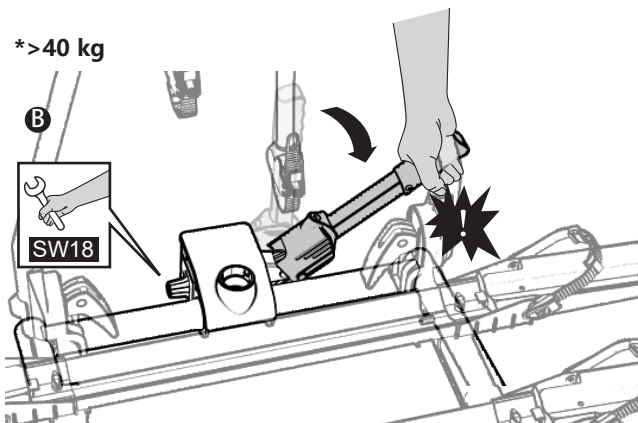


Not ok

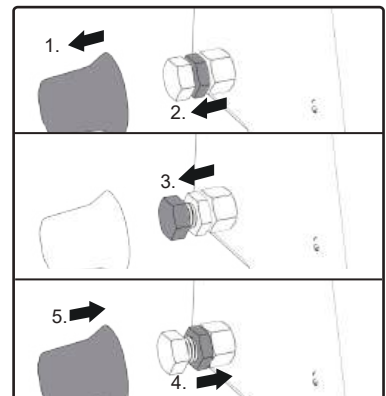


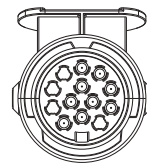
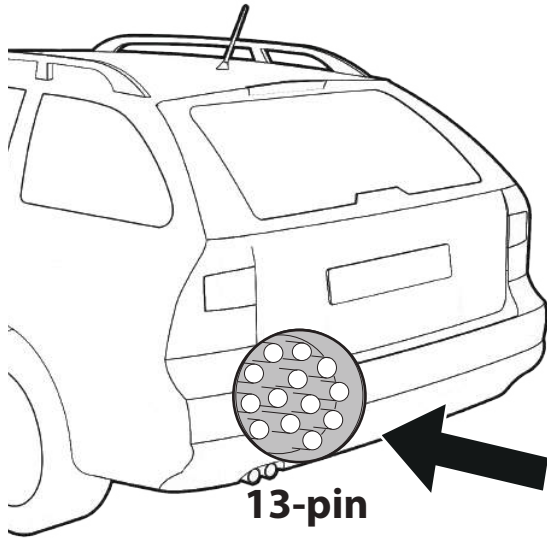
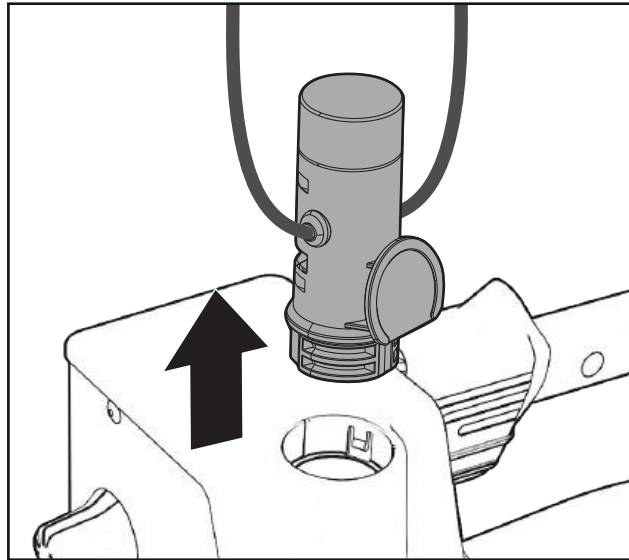
* > 40 kg

B

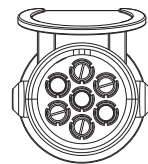
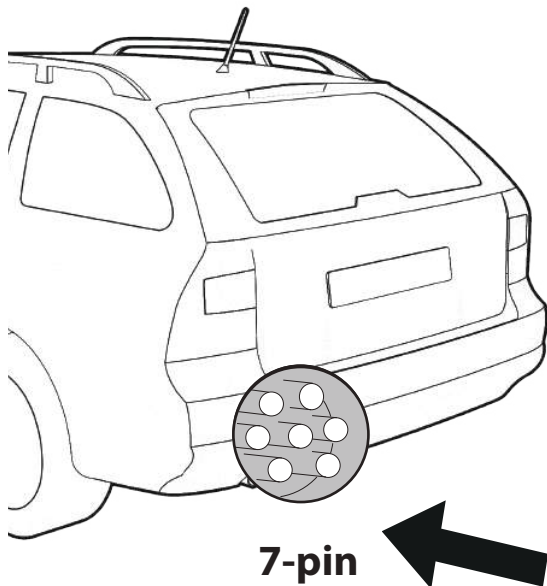
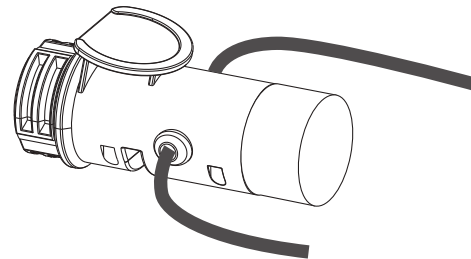


Not ok

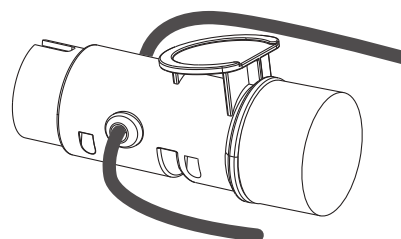


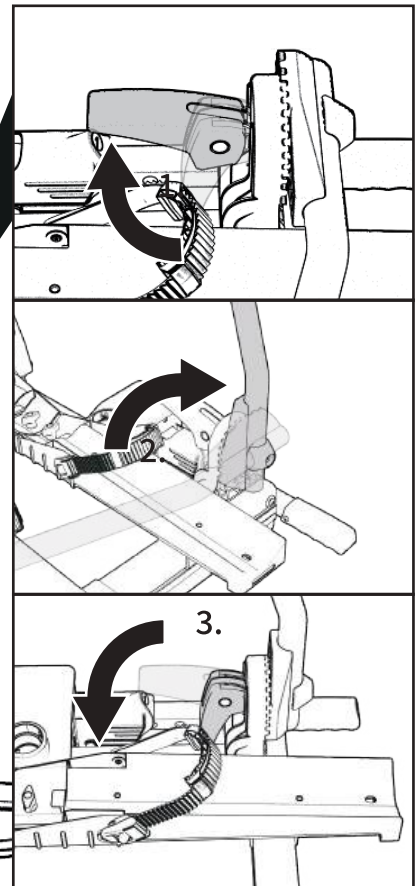
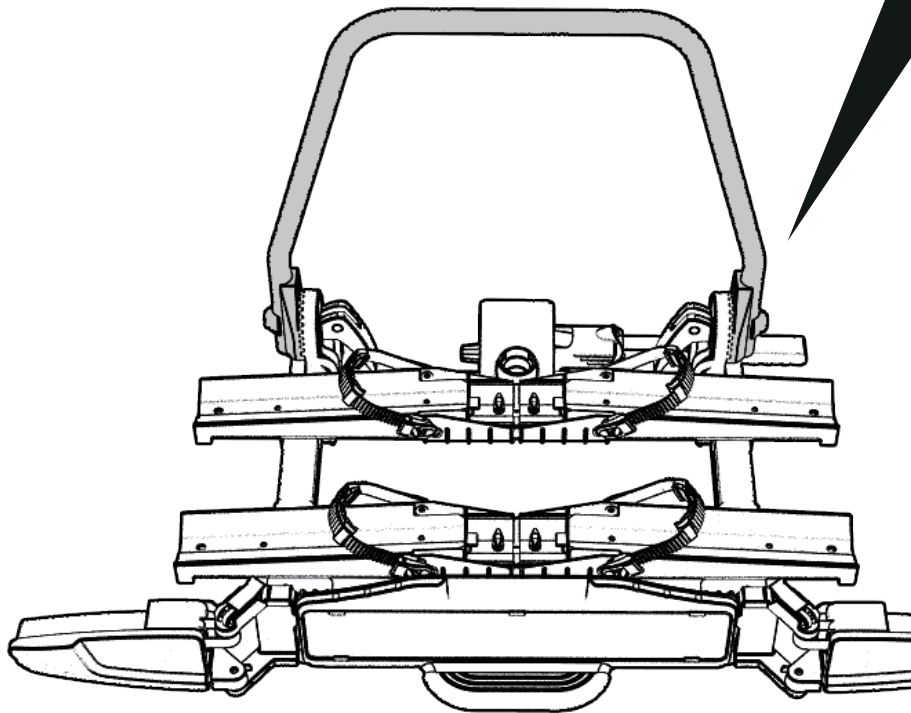
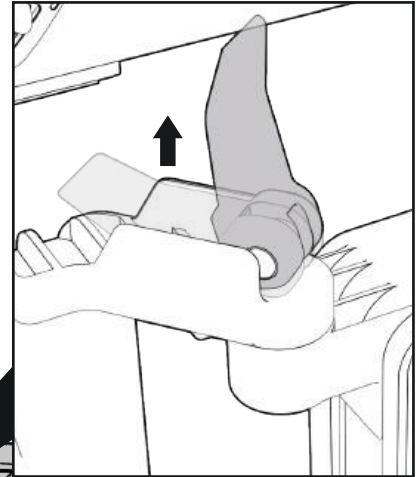
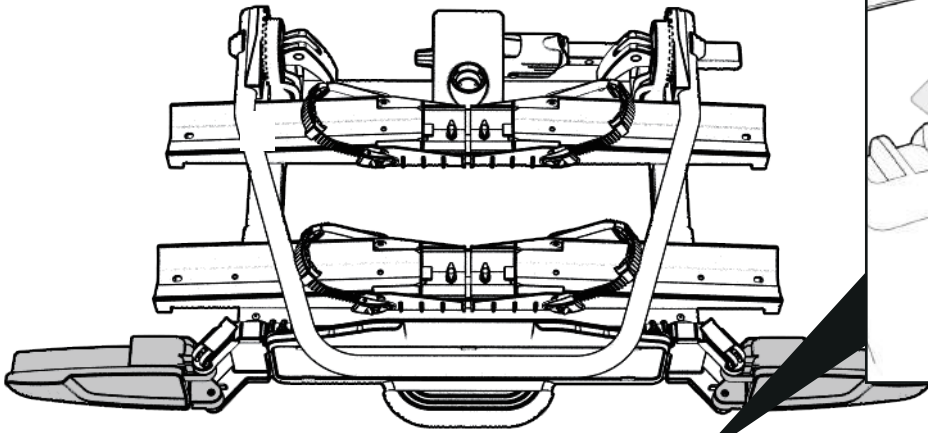


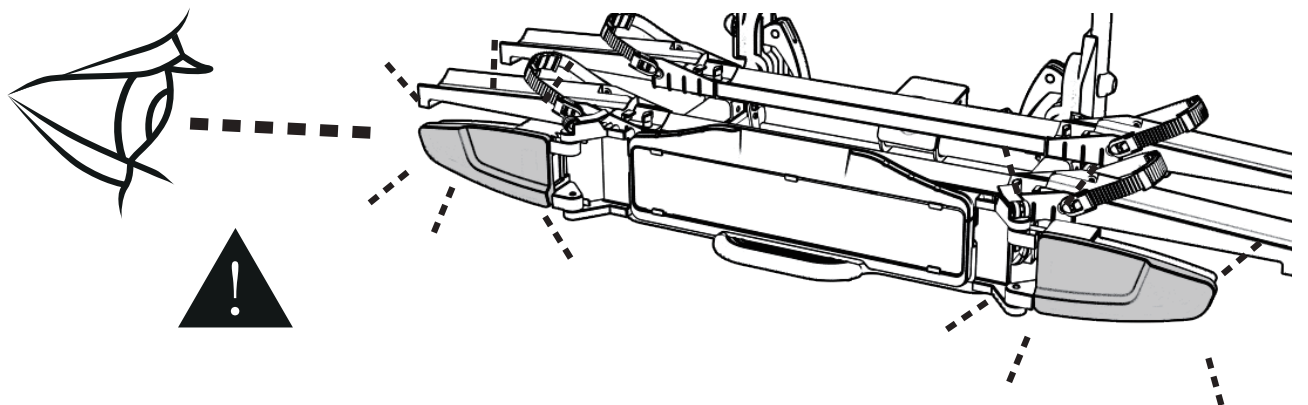
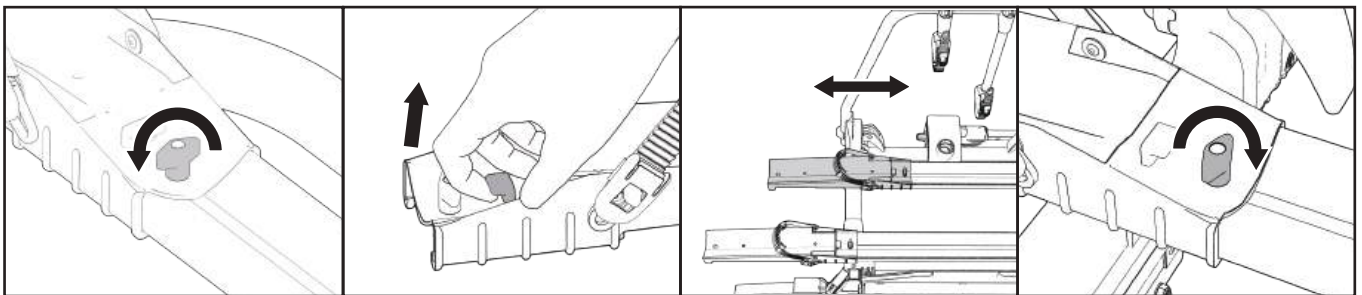
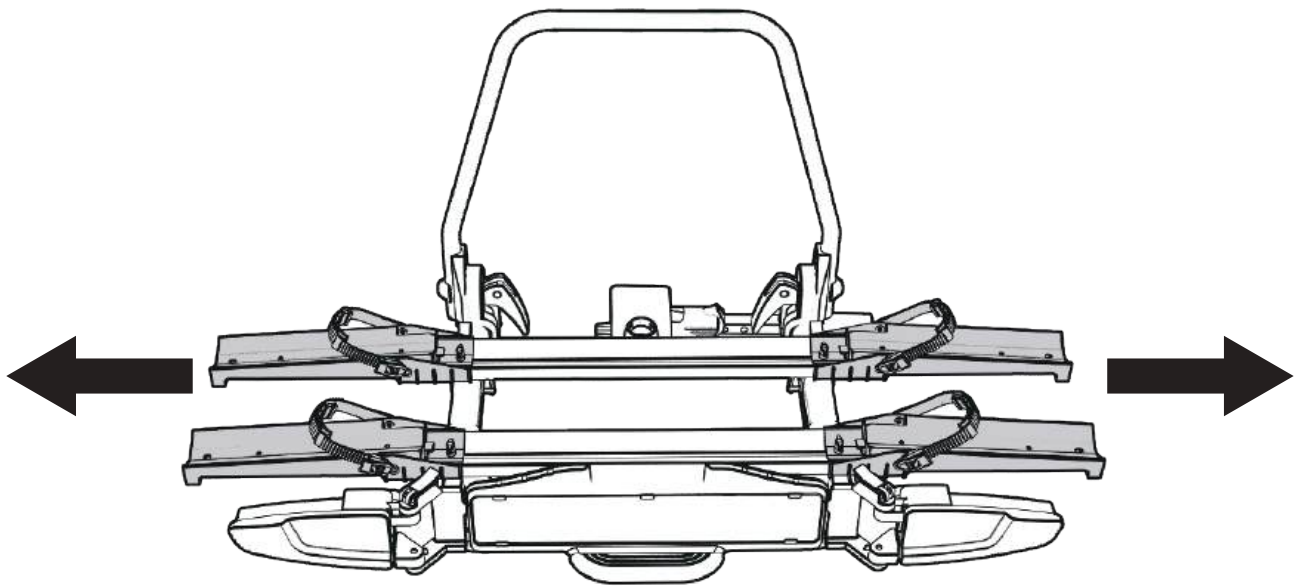
13-pin

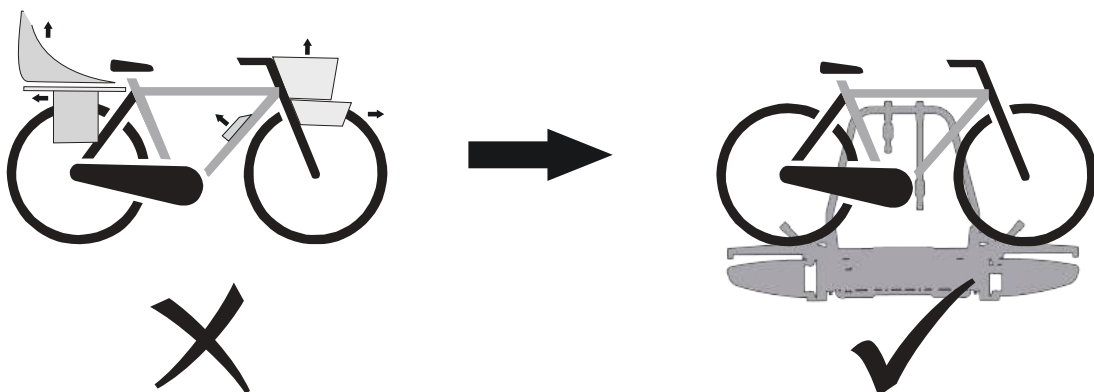
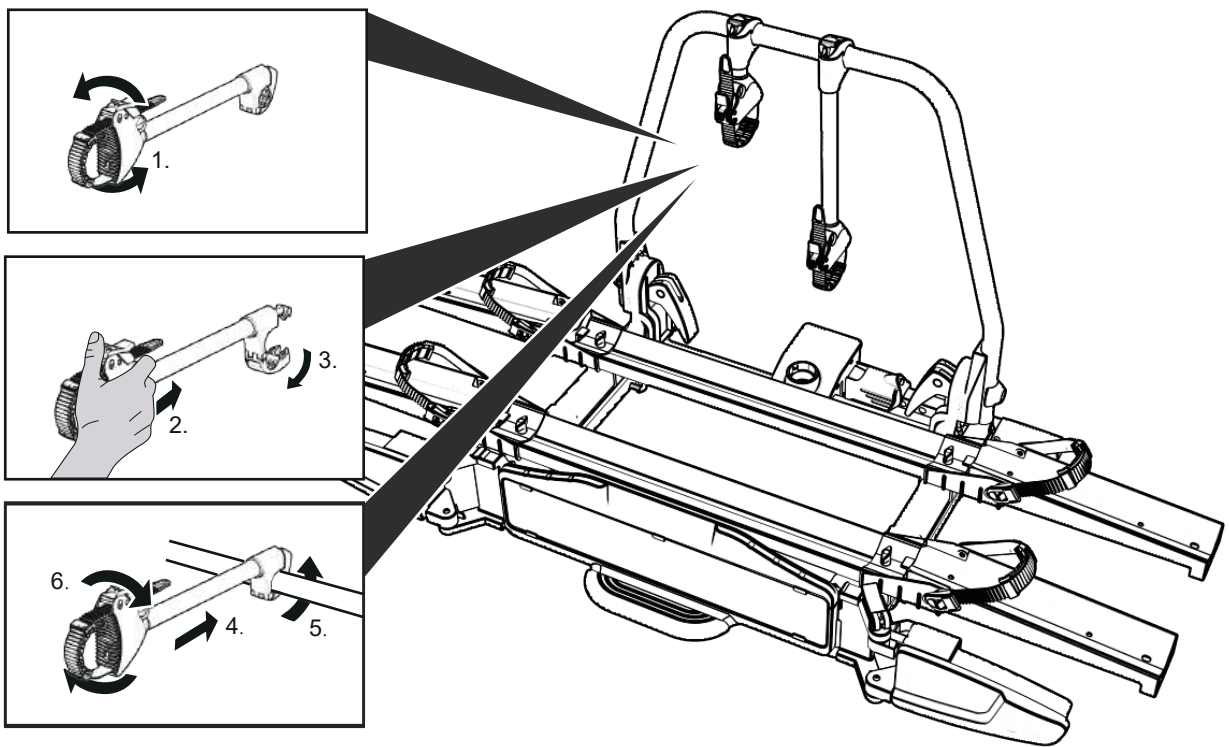
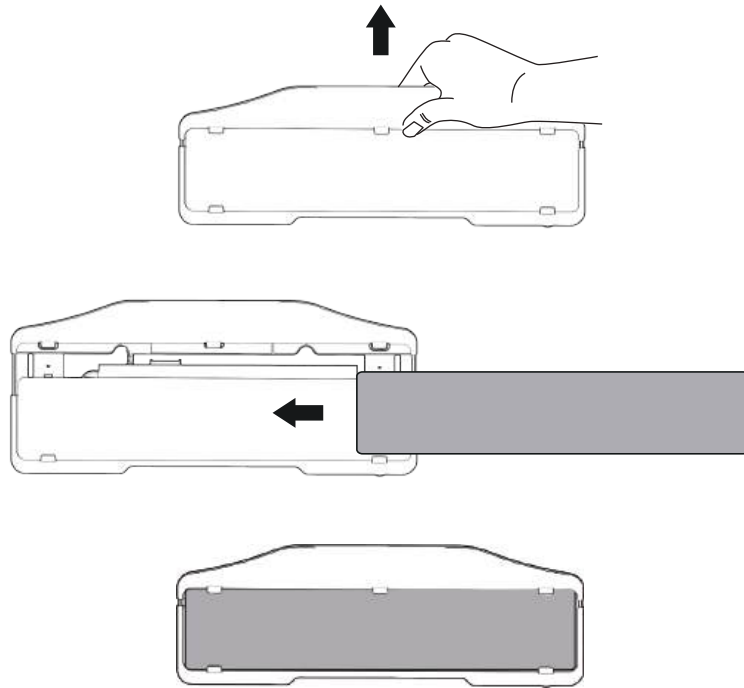


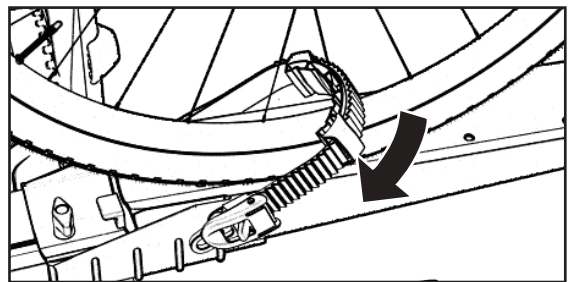
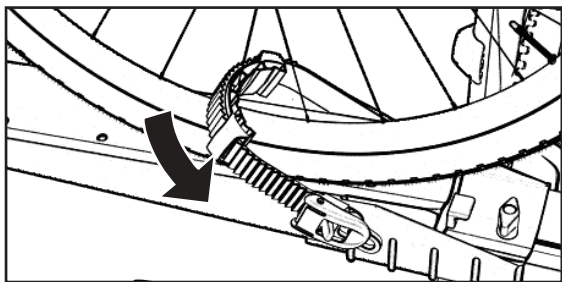
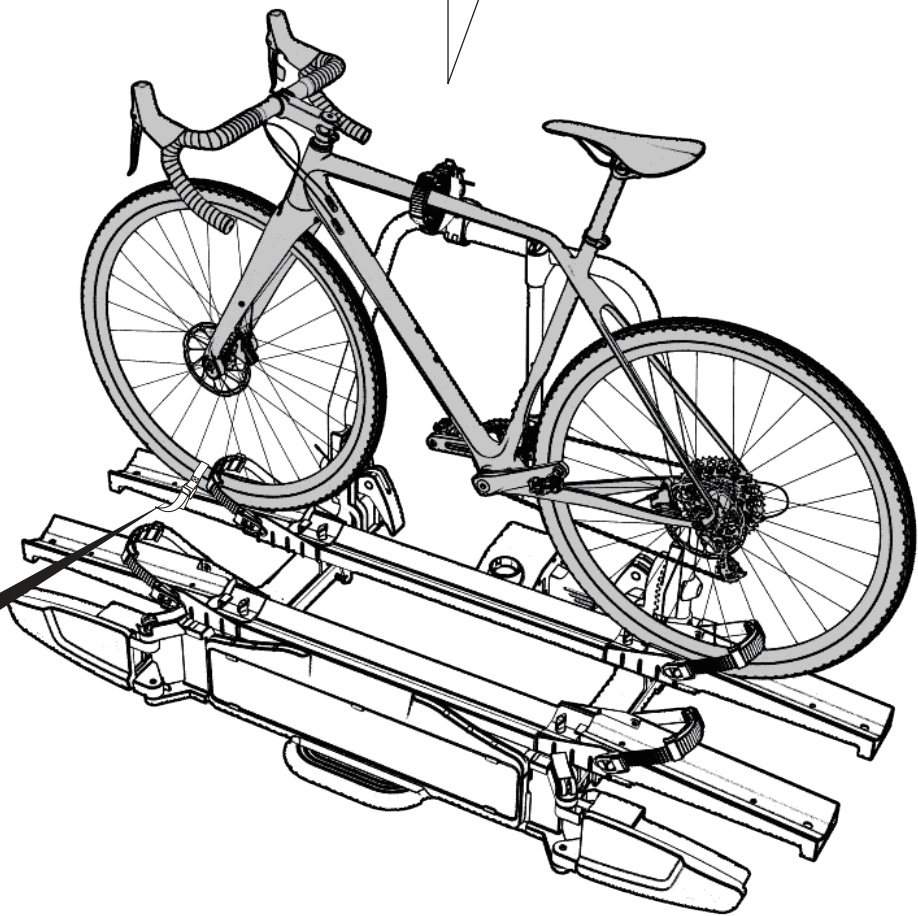
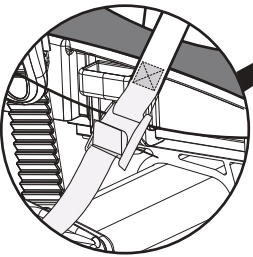
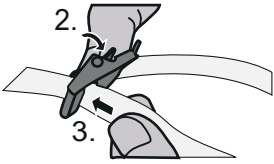
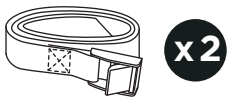
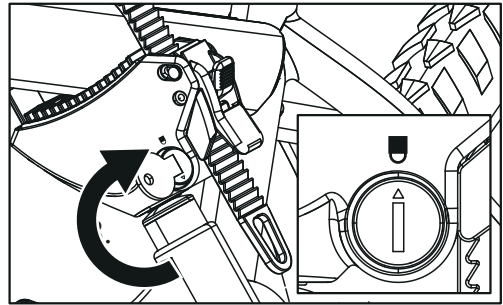
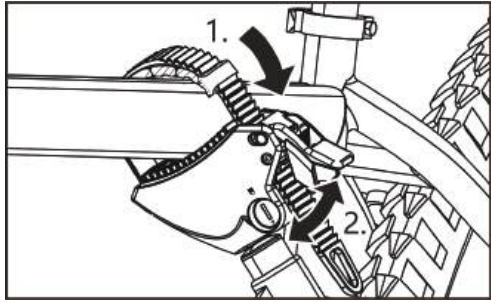
7-pin

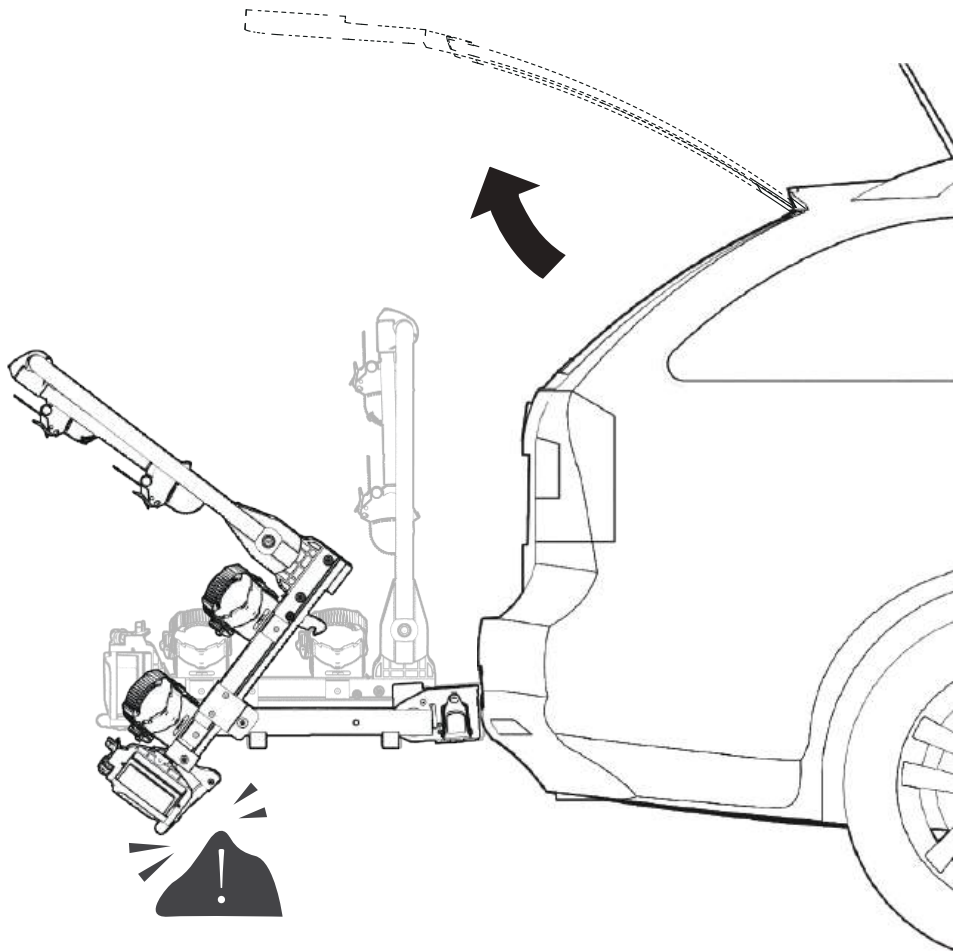
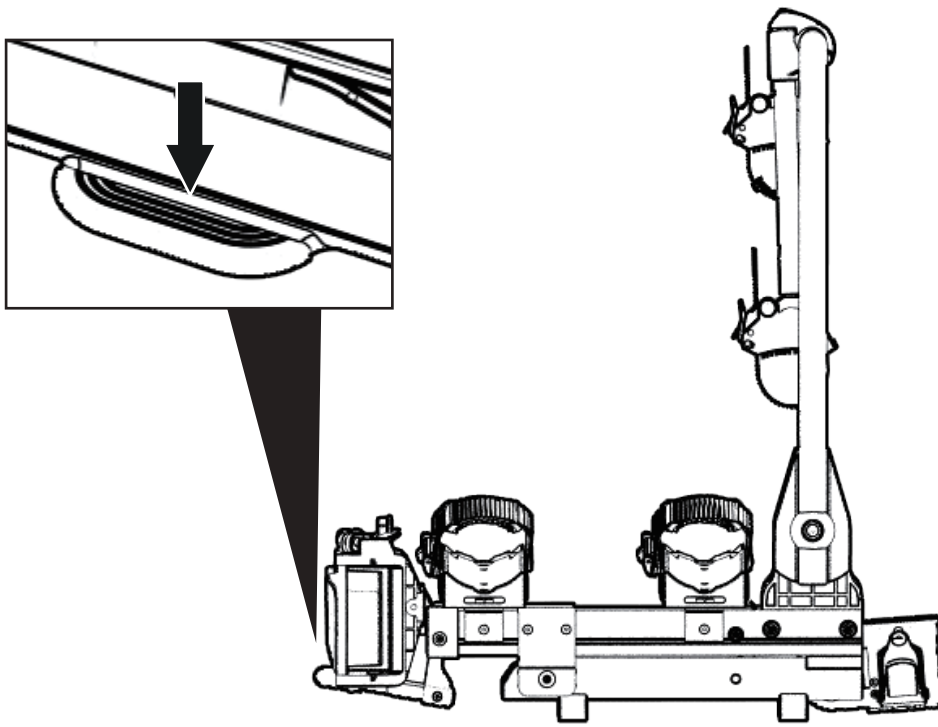


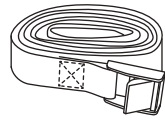
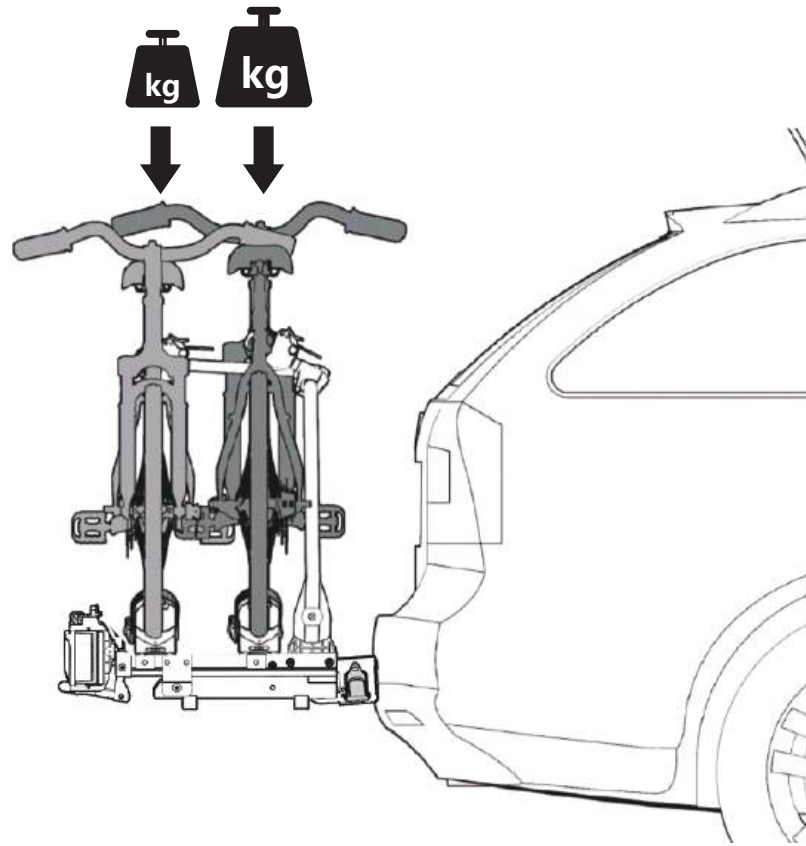




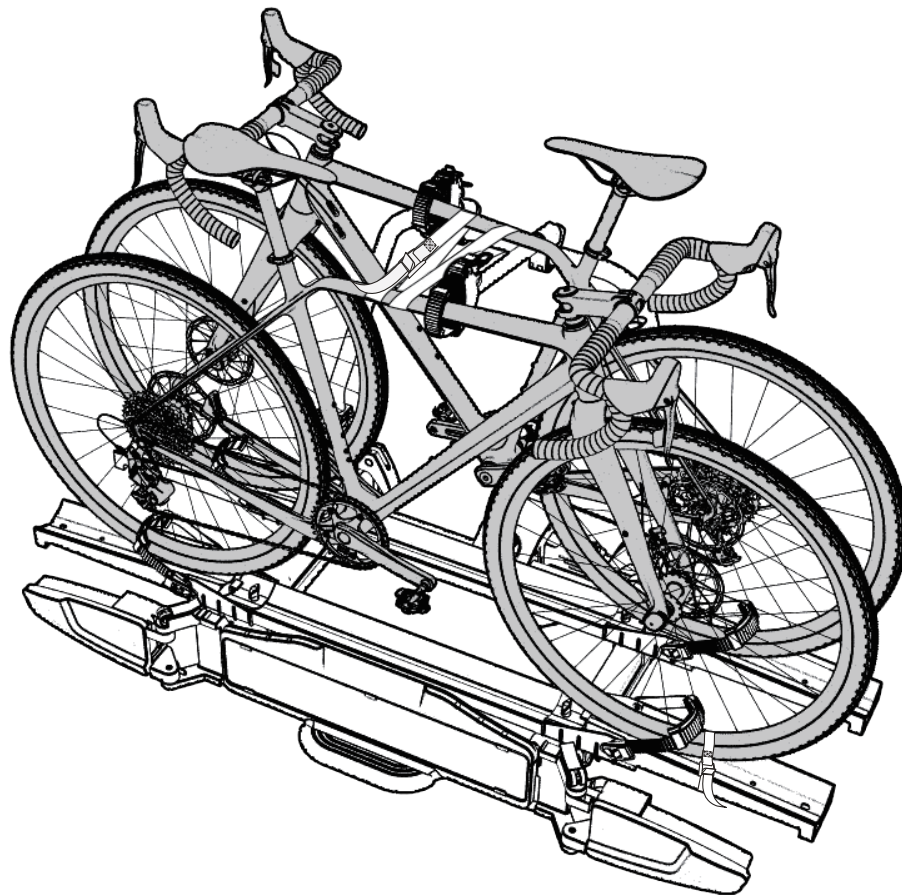


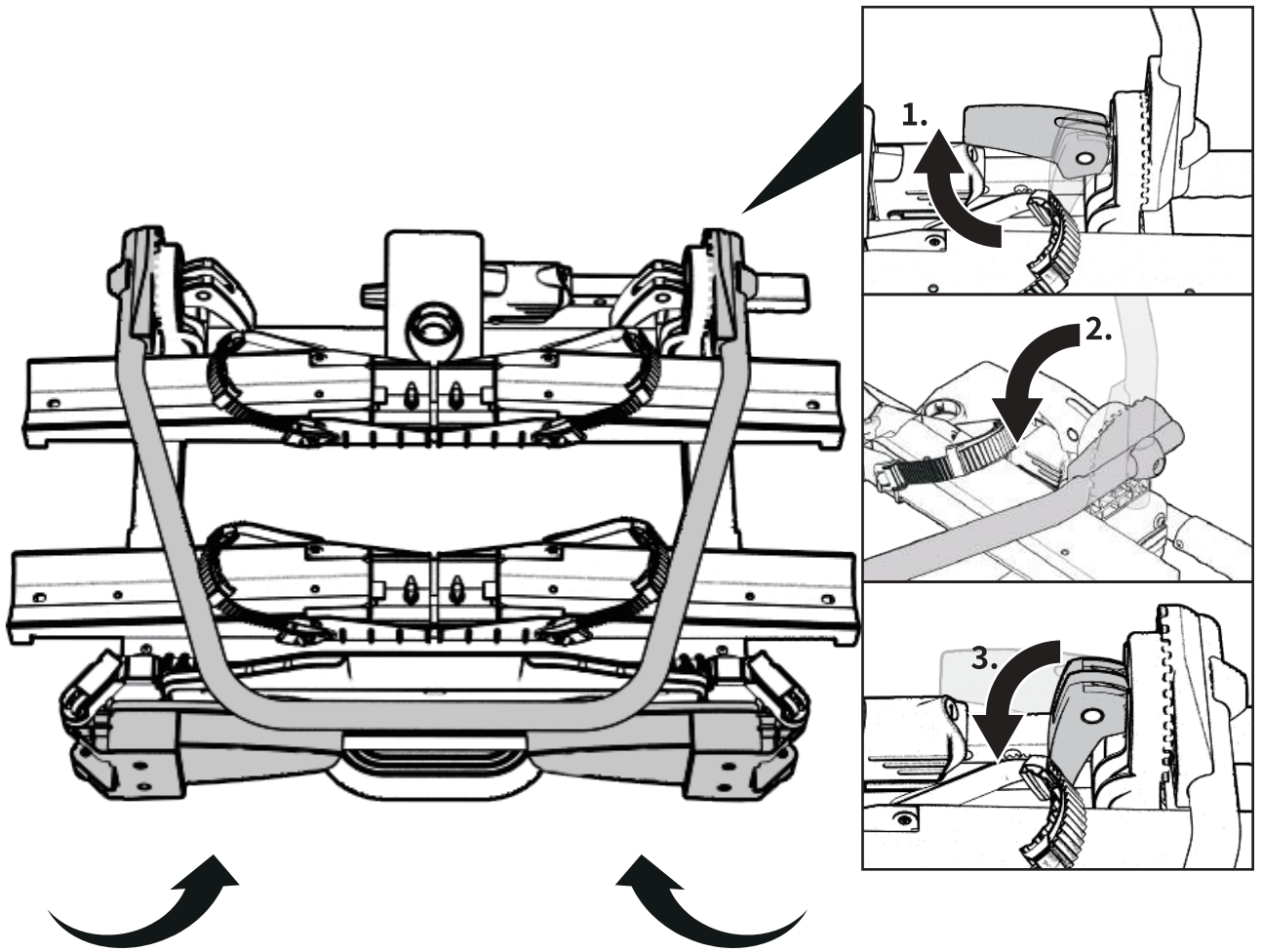
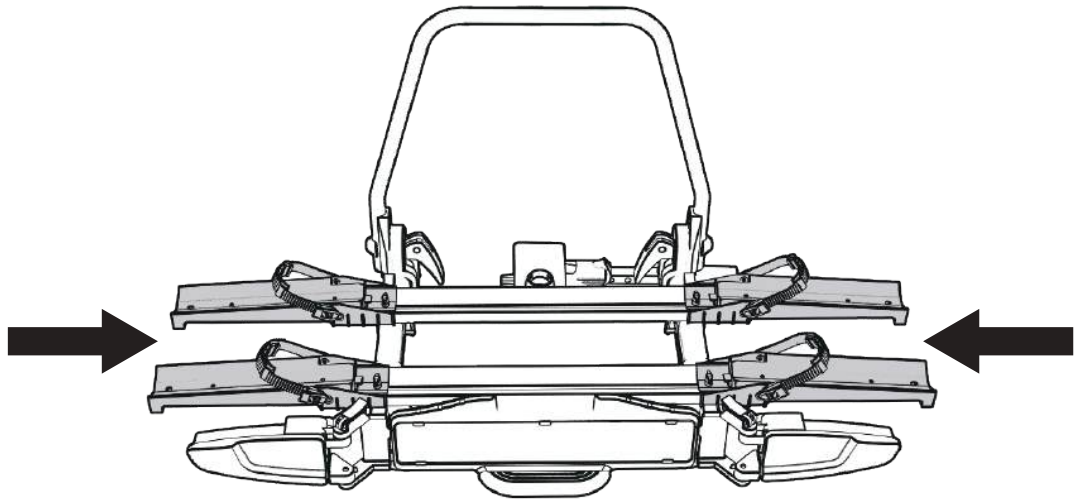


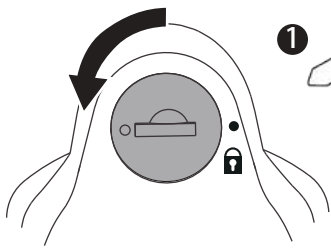




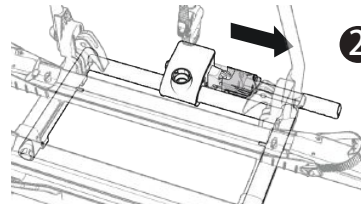
x1



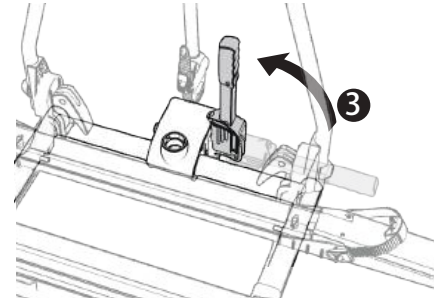




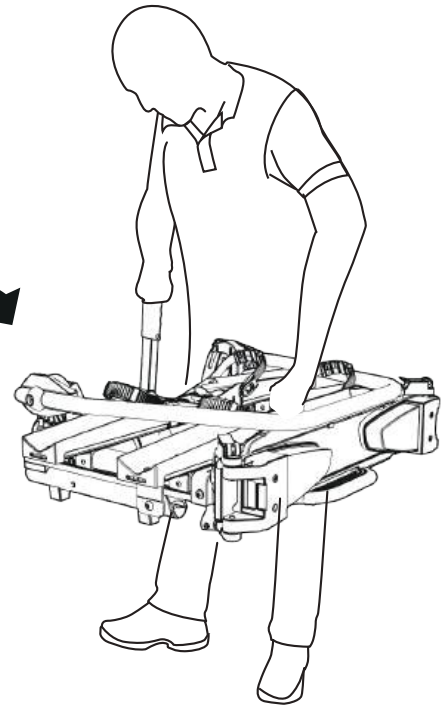
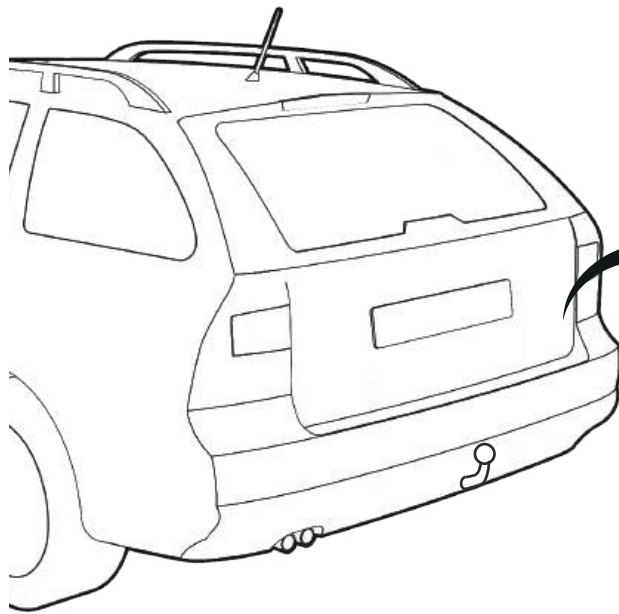
1

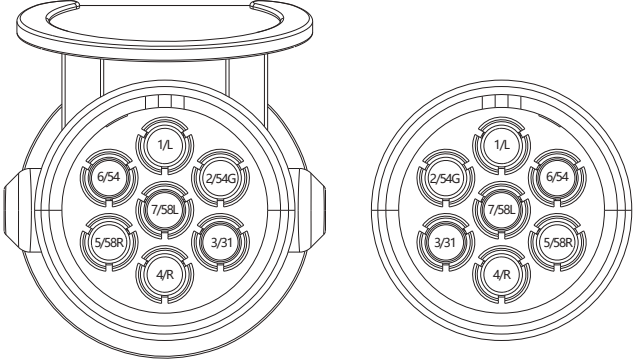
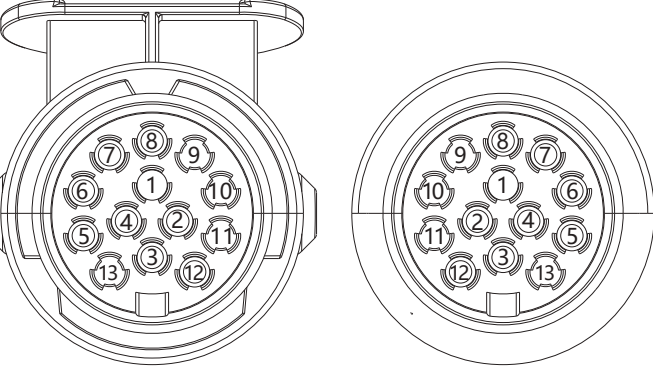


2



3



<p>Universal system 7 pin</p> 	<p>1/L 2/54G 3/31 4/R 5/58R 6/54 7/58L</p>	<p>Indicator left Rear fog light Ground Indicator right Rear light right Stop lights Rear light left</p> <p><i>The reversing light is not working via the 7-pin plug!</i></p>	<p>yellow blue white green brown red black</p>
<p>Jaeger system 13 pin (DIN 72.570)</p> 	<p>1 2 3 4 5 6 7 8 9 10 11 12 13</p>	<p>Indicator left Rear fog light Ground Indicator right Rear light right Stop lights Rear light left Reversing light <i>Not used</i> <i>Not used</i> <i>Not used</i> Ground <i>Not used</i></p>	<p>yellow blue white green brown red black gray</p>

© Tradekar S30008/25A

SPINDER 
Wherever you go

Spinder is part of Tradekar House of Leisure Brands

Tradekar Benelux BV

**Ohmweg 1
4104 BM CULEMBORG
The Netherlands**

**+31 (0)345-470990
info@spinder.com
www.spinder.com**

