

LED WALL LIGHT

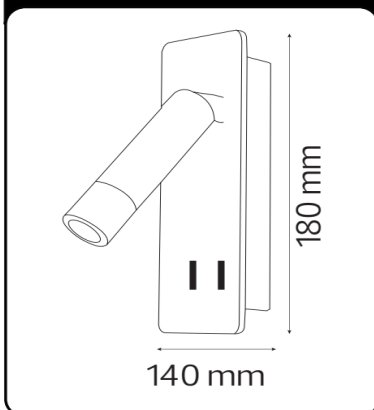
Product&Family Code: 029 011 0003

CUNDA


WHITE

BLACK

Technical Drawing



Technical Data	
Voltage (V)	180-240V
Product Wattage (W)	10W+3W
Equivalence with incandescent lamp(W)	104W
Colour Render Index (Ra)	>Ra80
Colour Temperature (K)	4200K
Materials	Iron+Aluminum
Protection Class	I
Dimmable	No
EEI	-
Warm-up time up to 60 %of the full light output	Instant Full Light
Luminous Flux (lm)	700
Luminous Efficacy (lm/W)	54
Rated Life (hrs) ⌚	20.000
IP Rating	20
Power Factor	>0.5
Beam Angle	60°
Starting Time	<0.2s
Number of ON-OFF cycling	x10.000

Applications

- Styled bedroom, hallway, living room or dining area.



Features

- High Lumen and CRI, Good quality & Constant Current driver.
- High heat dissipation, low carbon and environmental protection.
- Very low energy consumption.

