

# VIDEX®

VIDEX 12W 3000K-4000K-6500K 1200Lm White

INDEX: VL-WL03-12CW

## TECHNICAL CARD



LED wall-mounted Light IP65



Pursuant to the provisions of the WEEE Act, it is forbidden to put waste equipment marked with the symbol of a crossed out bin together with other waste. The user, wishing to get rid of electronic and electrical equipment, is obliged to return it to a waste equipment collection point. There are no hazardous components in the equipment that have a particularly negative impact on the environment and human health.

### INDEX: VL-WL03-12CW



### WARRANTY 2 YEARS



### General parameters

Light source or containing product	Light source
Light source replaceable	no
<b>Type of light source</b>	
Energy class of the light source	F
Dimmable	no
Directional (DLS) or non-directional (NDLS) light source	NDLS
Connected light source (cls)	no
Color-tunable light source	yes
Mains (MLS) or non-mains (NMLS) light source	MLS
High luminance light source	No
Anti-glare shield	No
Technology	LED

### Electrical parameters

On-mode power (Pon)	12 W
Rated voltage, frequency	AC 220-240 V, 50/60 Hz
Rated current	75 mA
Input interface	Terminal block
Electric shock protection class	II
Displacement factor (cos φ1)	0.7
Survival factor	1
Energy consumption in on-mode of the light source (kWh/1000h)	12

### Photometric parameters

Correlated color temperature	6500K (cold white), 4000K (neutral white), 3000K (warm white)
Beam angle	120°
Color rendering index (CRI)	Ra > 80
On/Off cycles	15000
Lifetime (L70B50)	25000 h
Useful luminous flux of the light source reference	in a sphere (360°)
R9 colour rendering index value	>0
The lumen maintenance factor	≥94.8%
Flicker metric (Pst LM)	≤1
Stroboscopic effect metric (SVM)	≤0.4
Colour consistency in MacAdam ellipses (SDCM)	<6 (3000K), <6 (4000K), <6 (6500K)
CRI Min	Ra 80

### INDEX: VL-WL03-12CW

CRI Max Ra 88

#### Additional information

Place of installation	Flat surface, Wall
Place of application	indoor, outdoor
Impact protection	IK06
Housing colour	White
Diffuser material	Polycarbonate (PC)
Minimum distance from the illuminated object	0.5 m
Ultraviolet radiation	no
Motion sensor	no
Operating temperature range	-20° +50°C
Suitable for installation in normally flammable surfaces	yes
Mercury content	Does not contain
Ingress protection	IP65
Housing material	Plastic

#### Dimensions

EAN	4820246487979
In the package	1 pc.
Height	180 mm
Outer box	20 pcs.
Width	180 mm
Depth	47 mm
Unit nett weight	250g

#### Signs marking goods

Packaging marking

CE, Utilization



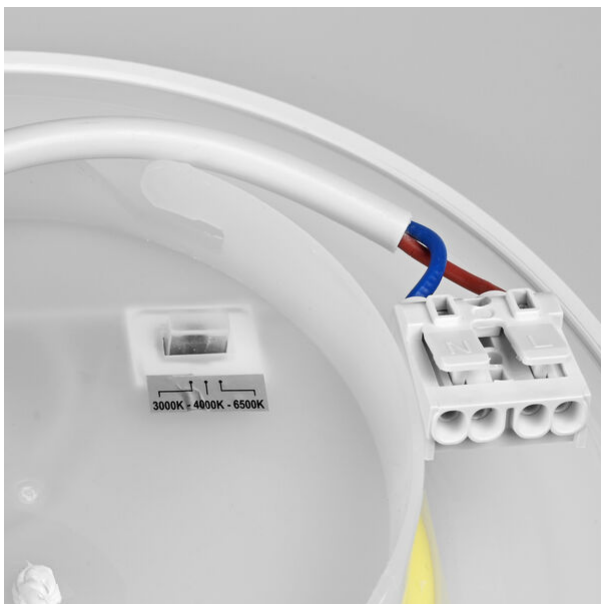
**VIDEX<sup>®</sup>**

VIDEX 12W 3000K-4000K-6500K 1200Lm White

**INDEX: VL-WL03-12CW**

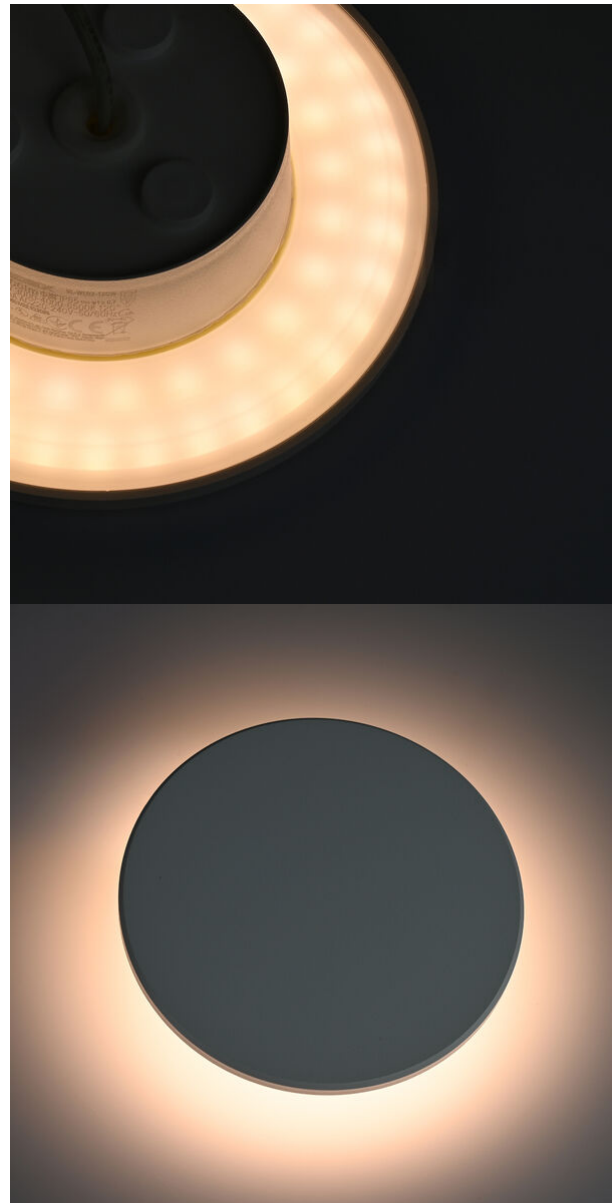
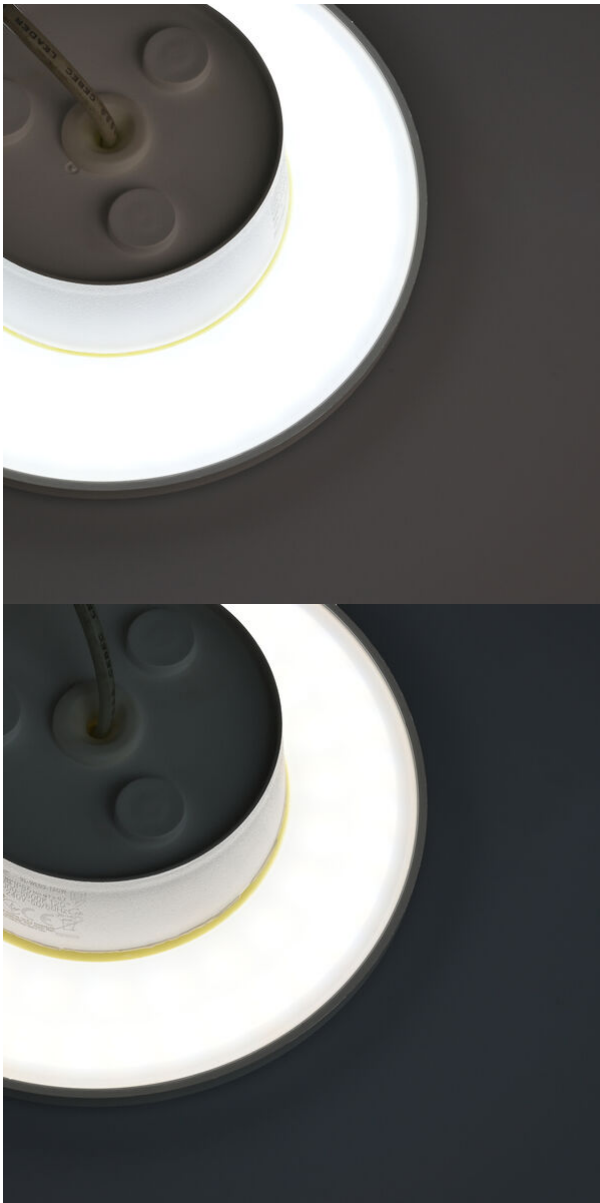
**VIDEX<sup>®</sup>**

VIDEX 12W 3000K-4000K-6500K 1200Lm White

**INDEX: VL-WL03-12CW**

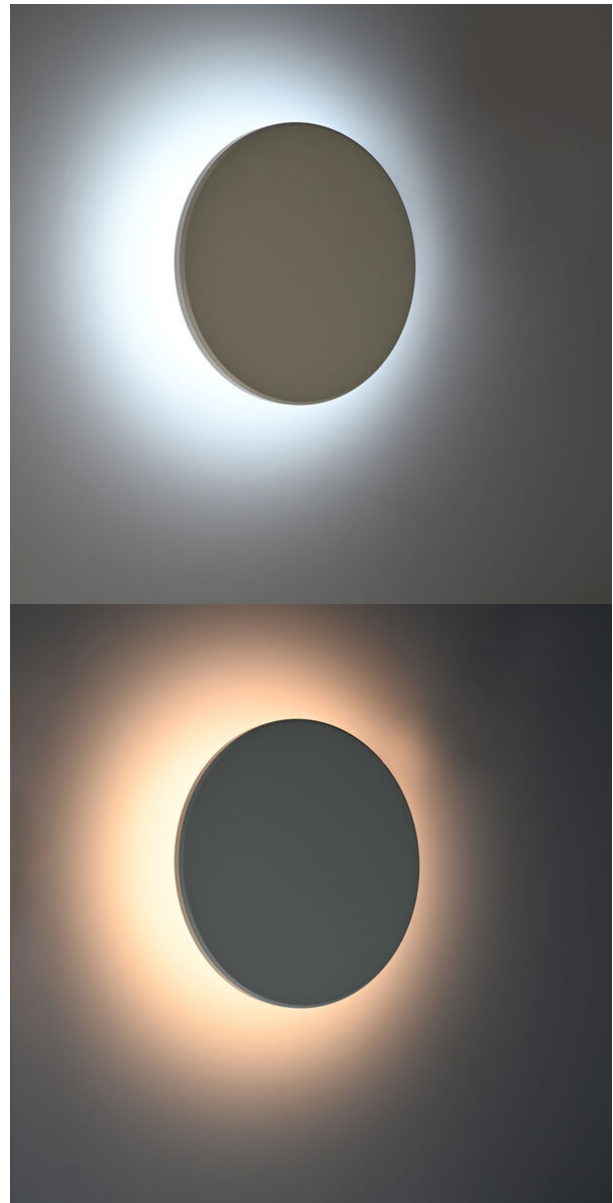
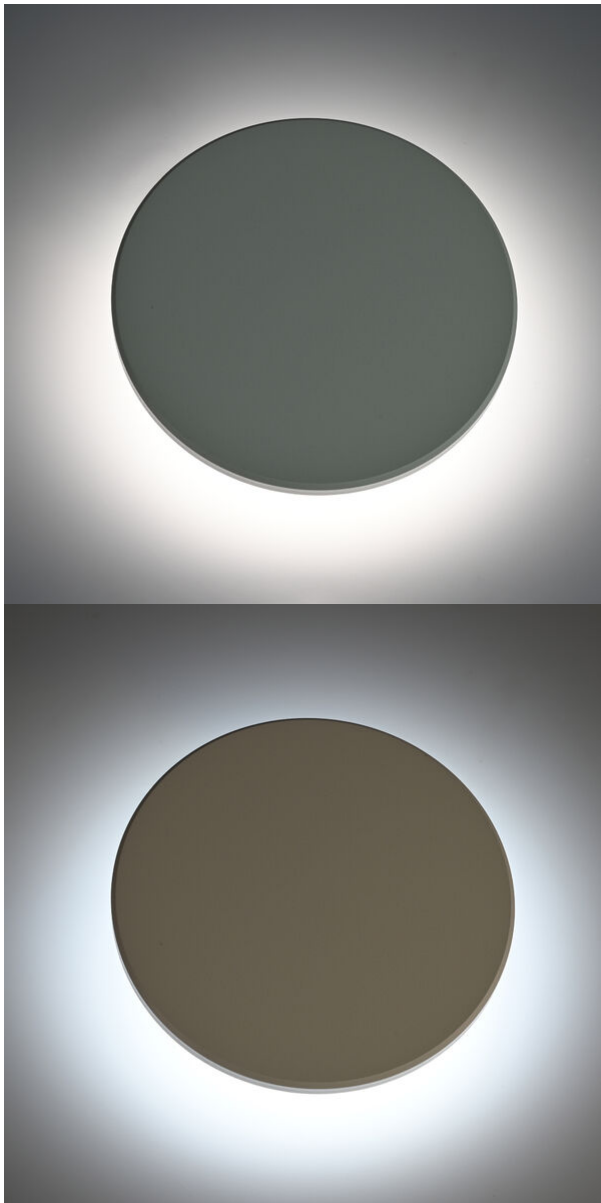
**VIDEX®**

VIDEX 12W 3000K-4000K-6500K 1200Lm White

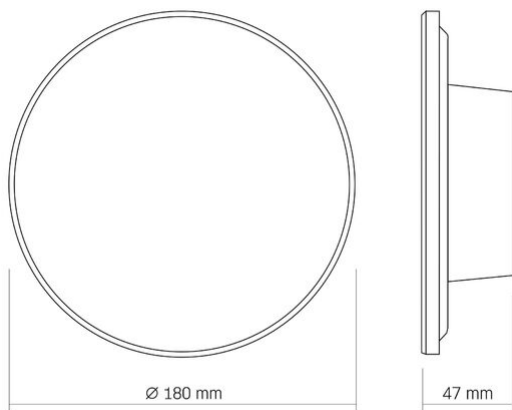
**INDEX: VL-WL03-12CW**

**VIDEX**<sup>®</sup>

VIDEX 12W 3000K-4000K-6500K 1200Lm White

**INDEX: VL-WL03-12CW**

# VIDEX®



We reserve the right to make technical changes. The data contained in this material is not legally binding.

Allegro opt Sp. z o.o., ul. Mierzeja Wiślana 11,  
30-732 Krakow, Poland.

## VIDEX 12W 3000K-4000K-6500K 1200Lm White

### INDEX: VL-WL03-12CW

-  The product must be used indoors
-  The product must be used outdoors
-  Class of protection against electric shock II - provided not only by basic insulation but also by double or reinforced insulation
-  Minimum distance from the illuminated object  
0,5 m
-  The product can be installed and used in/on normally flammable surfaces
-  The product meets the requirements of EU directives
-  It is forbidden to throw away waste equipment marked with the symbol of a crossed-out bin with other waste
-  — Rated beam angle  
120°
-  — Ra > 80 - color rendering index  
Ra > 80
-  — Nominal lifetime (hours)  
25 000 h
-  — The product does not emit ultraviolet light  
Free
-  — The product is incompatible with light regulators  
Not Dimmable
-  — Operating temperatures range  
-20°C +50°C
-  — The flickering of the light does not exceed the permissible level  
No Flicker
-  — The product has minimal flickering, which should not cause discomfort or danger  
No Flicker
-  — Colour consistency in MacAdam ellipses (SDCM)  
CCT 3000K
-  — Colour consistency in MacAdam ellipses (SDCM)  
CCT 4000K
-  — Colour consistency in MacAdam ellipses (SDCM)  
CCT 6500K
-  — The product does not contain mercury  
Free
-  — Class of protection against dust and moisture. The product has full protection against dust and water jets from all directions  
IP65