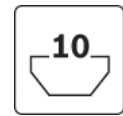
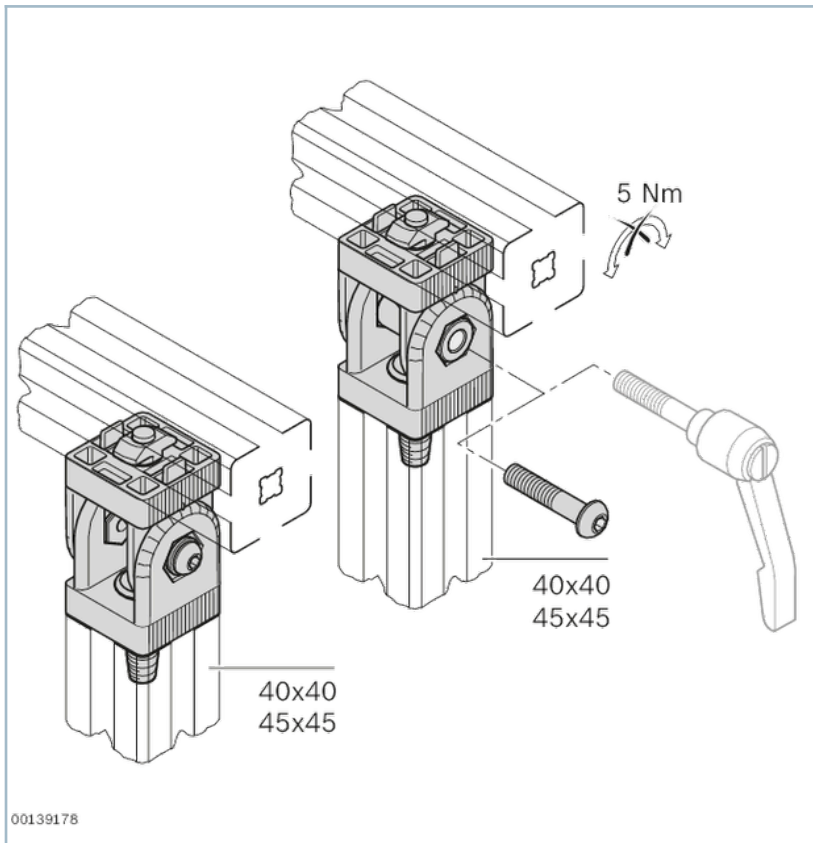


Joint 40x40, 40x40 support



- For movable or rigid profile connections at any angle
- Swivel range 180°
- With marking in 15° increments
- Clamping and convenient adjustment of “support” joint using a clamping lever (5 Nm)
- Version *designLINE* with special silver paint (RAL 9006) for an especially high-quality design

Product description

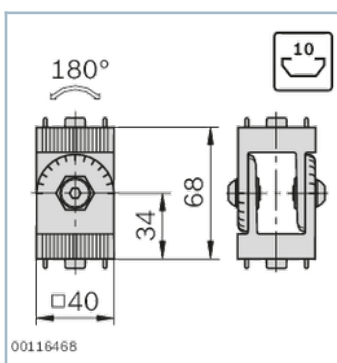


Technical data

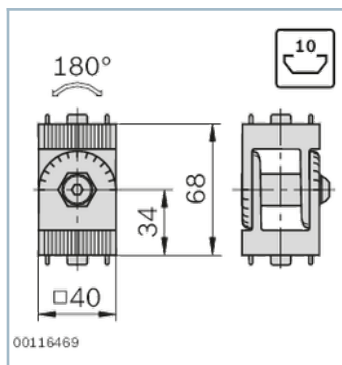
	F1 (N)	F2 (N)
	15000	1000

Dimensions

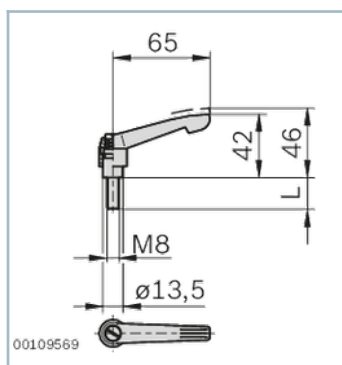
Joint 40x40



Joint 40x40 support



Clamping lever



Delivery notes

FS3	FS4
<p>M8x16</p>	<p>S12x30</p>

Ordering codes

	Groove	L	ESD	FS	No.
	mm				
Joint 40x40 standard	10			2xFS3, 2xFS4	3842543401
Joint 40x40 <i>designLINE</i>	10			2xFS3, 2xFS4	3842538684
Joint 40x40 standard support	10			2xFS3, 2xFS4	3842543402
Joint 40x40 support <i>designLINE</i>	10			2xFS3, 2xFS4	3842538685
Clamping lever M8 L40		40			3842516847