



# EFL203

## 4-WHEEL LI-ION COUNTERBALANCE FORKLIFT 2.0T

2000 kg 6000 mm 80 V



Indoor & Outdoor: With a robust design, EFL203(P) electric forklift is ideal for both indoor and outdoor applications.

All Weather & Terrain: Big tyres, high ground clearance, and water-resistant design make it an all-weather solution for rough terrains.

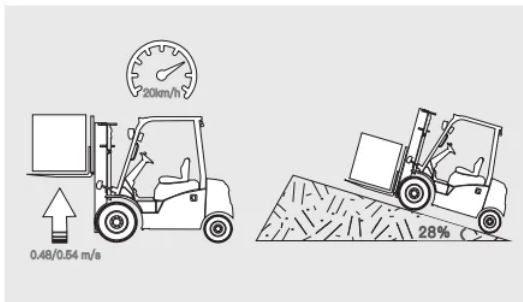
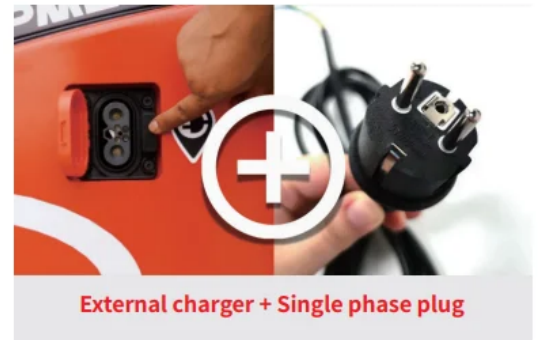
Long Runtime Operations: Suitable for demanding scenarios requiring nearly 24/7 operation with Li-ion's opportunity charging and large battery capacity options.

SPECIFICATION	REF	UNIT	VALUE
Battery voltage		V	80
Load capacity	Q	kg	2000
Load centre distance	c	mm	500
Service weight		kg	3540
Retracted mast height	$h_1$	mm	2090
Lift height	$h_3$	mm	3000
Height, mast extended	$h_4$	mm	4025
Overall length		mm	3426
Overall width	$b_1/b_2$	mm	1154
Length to face of forks	l2	mm	2356
Fork dimensions	s/e/l	mm	40×122×1070
Turning radius		Wa	2110
Operator type			Seated
Load distance, centre of drive axle to fork		mm	495
Wheelbase		mm	1540
Axle loading, laden front/rear		kg	4930/610

# Features

## Dual charging system for maximum flexibility

The EFL203(P) includes both an integrated single-phase charger and an external charging port, allowing operators to charge anywhere, anytime. Combined with optional 80V/460Ah Li-ion batteries, this system supports long runtime and efficient multi-shift use.



## Two performance versions to fit every need

Available in standard and premium versions, the EFL203(P) meets different operational demands. The premium version achieves travel speeds up to 20 km/h, lift speeds of 0.54 m/s, and gradeability of 28%, ensuring fast and efficient performance in intensive applications

## High ground clearance and outdoor durability

Equipped with large pneumatic tires and 150 mm ground clearance, the EFL203(P) easily handles uneven terrain. Its waterproof construction allows reliable operation even in rain or damp environments, making it suitable for mixed indoor-outdoor logistics



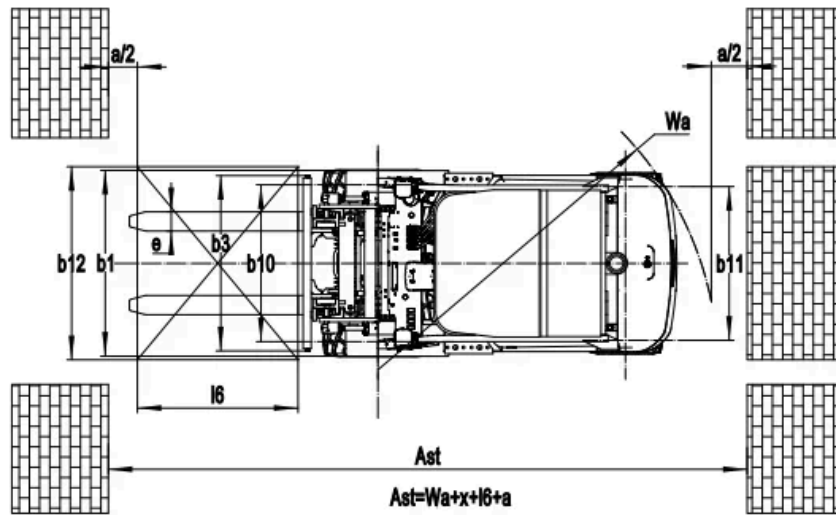
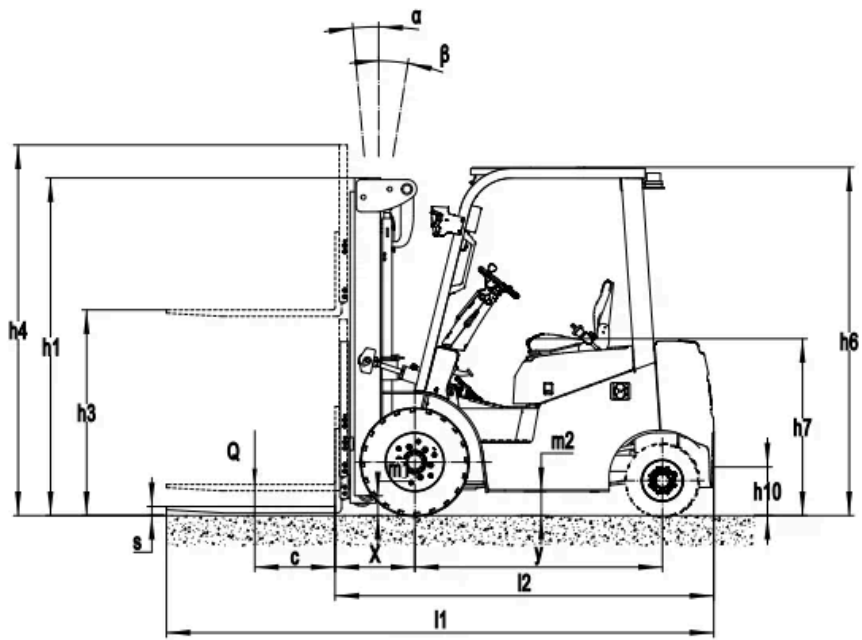
## Modern design and improved visibility

The EFL203(P) adopts a streamlined counterweight and a newly engineered mast layout for improved sightlines. The bolted overhead guard and optimized hose positioning ensure safer and more accurate load handling, while the large LED display and bright LED lights enhance visibility in all conditions

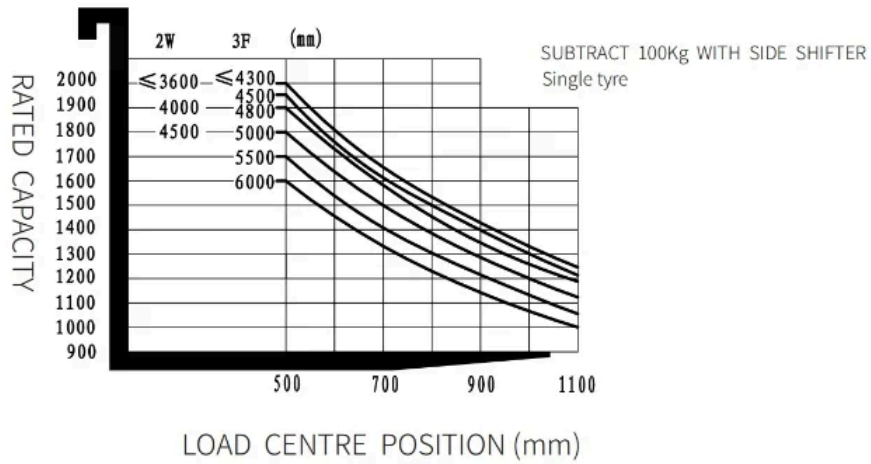
# VDI Chart

	SPECIFICATION	REF	UNIT	VALUE
1.4	Operator type			Seated
1.5	Load capacity	Q	kg	2000
1.6	Load centre distance	c	mm	500
1.8	Load distance, centre of drive axle to fork		mm	495
1.9	Wheelbase		mm	1540
2.1	Service weight		kg	3540
2.2	Axle loading, laden front/rear		kg	4930/610
2.3	Axle loading, unladen front/rear		kg	1640/1900
3.1	Tyre type			Pneumatic
3.2	Tyre size, front		mm	7.00-12-12PR
3.3	Tyre size, rear		mm	18X7-8-14PR
3.5	Wheels, number front/rear (x=drive wheels)			2x/ 2
3.6.1	Tread width, front	$b_{10}$	mm	975
3.7.1	Tread width, rear	$b_{11}$	mm	955
4.0	Max lift height	H	mm	6000
4.1	Tilt of mast/fork carriage forward/backward		°	6/ 10
4.12	Tow coupling height		mm	310
4.19	Overall length		mm	3426
4.2	Retracted mast height	$h_1$	mm	2090
4.20	Length to face of forks	l2	mm	2356
4.21	Overall width	$b_1/b_2$	mm	1154
4.22	Fork dimensions	s/e/l	mm	40×122×1070
4.23	A,B Fork carriage class/type A, B			2A
4.24	Fork carriage width		mm	1040
4.26	Distance between wheel arms/loading surfaces			150
4.3	Free lift		mm	120
4.31	Ground clearance, laden, below mast		mm	125
4.32	Ground clearance, centre of wheelbase		mm	150
4.34.1	Aisle width for pallets 1000×1200 crossways		Ast	3805
4.34.2	Aisle width for pallets 800×1200 lengthways		Ast	4005
4.35	Turning radius		Wa	2110
4.4	Lift height	$h_3$	mm	3000

	SPECIFICATION	REF	UNIT	VALUE
4.5	Height, mast extended	$h_4$	mm	4025
4.7	Height of overhead guard (cabin)		mm	2165
4.8	Seat height/standing height		mm	1095
5.1	Travel speed, laden/unladen		km/h	14/15
5.10	Service brake			Hydraulic
5.11	Parking brake			Mechanical
5.2	Lifting speed, laden/unladen		m/s	0.29/0.36
5.3	Lowering speed, laden/unladen		m/s	0.43/0.44
5.8	Max. gradeability, laden/unladen		%	15/20
6.1	Drive motor rating S2 60 min		kW	10
6.2	Lift motor rating at S3 15%		kW	16
6.4	Battery voltage		V	80
8.1	Type of drive control			AC
10.5	Steering design			Hydraulic
10.7	Sound pressure level at the drivers ear		dB(A)	<74



RATED CAPACITIES AND LOAD CENTERS GRAPH



## Mast Options

MAST TYPE	LIFT HEIGHT (H3, MM)	MAST LOWERED HEIGHT (H1, MM)	MAST EXTENDED HEIGHT, NO BACKREST (H4, MM)	MAST EXTENDED HEIGHT, WITH BACKREST (H4, MM)	FREE LIFT HEIGHT, NO BACKREST (H2, MM)	FREE LIFT HEIGHT, WITH BACKREST (H2, MM)	FORWARD TILT (A, DEG)	BACKWARD TILT (B, MM)
2-Standard Mast	3000	2090	3595	4060	195	195	6	10
2-Standard Mast	3300	2240	3895	4360	195	195	6	10
2-Standard Mast	3500	2340	4095	4560	195	195	6	10
2-Standard Mast	3600	2390	4195	4660	195	195	6	10
2-Standard Mast	4000	2640	4595	5060	195	195	6	6
2-Standard Mast	4500	2890	5095	5560	195	195	6	6
2-Free Mast	3000	2035	3765	4100	1345	1010	6	10
2-Free Mast	3300	2185	4065	4400	1495	1160	6	10
2-Free Mast	3600	2335	4365	4700	1645	1310	6	10
3-Free Mast	4300	2080	5040	5355	1370	1055	6	6
3-Free Mast	4500	2160	5230	5545	1450	1135	6	6
3-Free Mast	4800	2265	5530	5845	1555	1240	6	6
3-Free Mast	5000	2350	5730	6045	1640	1325	6	6
3-Free Mast	5500	2600	6230	6545	1890	1575	6	6

MAST TYPE	LIFT HEIGHT (H3, MM)	MAST LOWERED HEIGHT (H1, MM)	MAST EXTENDED HEIGHT, NO BACKREST (H4, MM)	MAST EXTENDED HEIGHT, WITH BACKREST (H4, MM)	FREE LIFT HEIGHT, NO BACKREST (H2, MM)	FREE LIFT HEIGHT, WITH BACKREST (H2, MM)	FORWARD TILT (A, DEG)	BACKWARD TILT (B, MM)
3-Free Mast	6000	2850	6730	7045	2140	1825	6	6
3-Free Mast	6500	3100	7230	7545	2390	2075	3	5

## Options

ITEM	OPTIONS (optional items marked in yellow)
Fork dimension	122*40*920   122*40*1070   122*40*1150   122*40*1220   122*40*1370   122*40*1500   122*40*1600   122*40*1700   122*40*1820   122*40*1900   122*40*2000   122*40*2200
Seat type	Comfortable + safety belt switch   Suspension with safety belt switch
Attachments	Built-in sideshifter   External shifter   Fork positioner with sideshift
Traction pin	Yes and not customized
Electrostatic chain	Yes and not customized
Front wheel material	Pneumatic   Normal solid   Traceless solid
Rear wheel material	Pneumatic   Normal solid   Traceless solid
Battery capacity	○80V230AH   80V410AH   80V460AH
Charger	80V35A integrated   80V60A integrated   80V60A   80V100A   80V150A   80V200A(410/460AH)   80V280AH
Battery display indicator (BDI)	With hourmeter (Bluetooth) without PSE   With hourmeter (Bluetooth) with PSE
Area warning lamp	No   Both sides   Both sides and rear
Rearview mirror	One on the front   Two on sides   Two on sides and one on the front
Buzzer	Yes and not customized
OPS system	Yes and not customized
USB interface	Yes and not customized
Telematics	Yes and not customized
Front lamp	LED
Rear lamp	No   LED
Warning lamp	Yes and not customized
Steering lamp	LED
Blue lamp	No   Rear   Front and rear
Cabin	No   Basic half cabin   Upgrade half cabin   Full cabin

ITEM	OPTIONS (optional items marked in yellow)
Overhead guard	With tempered glass   No
Clamp interlock	No   <b>clamp interlock</b>
Turn speed control	No   <b>Yes and not customized</b>
Heating system during lithium battery charging	No   <b>Yes and not customized</b>
Operator identification device	No   <b>Card reader</b>
Lifting electronic limit	No   <b>Yes and not customized</b>
Hydraulic control	Mechanical lever
Rear armrest horn	Yes and not customized