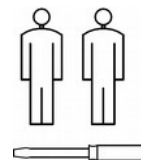
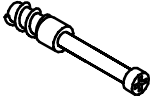

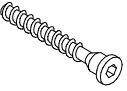
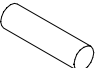

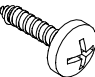
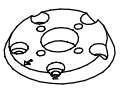


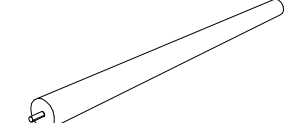
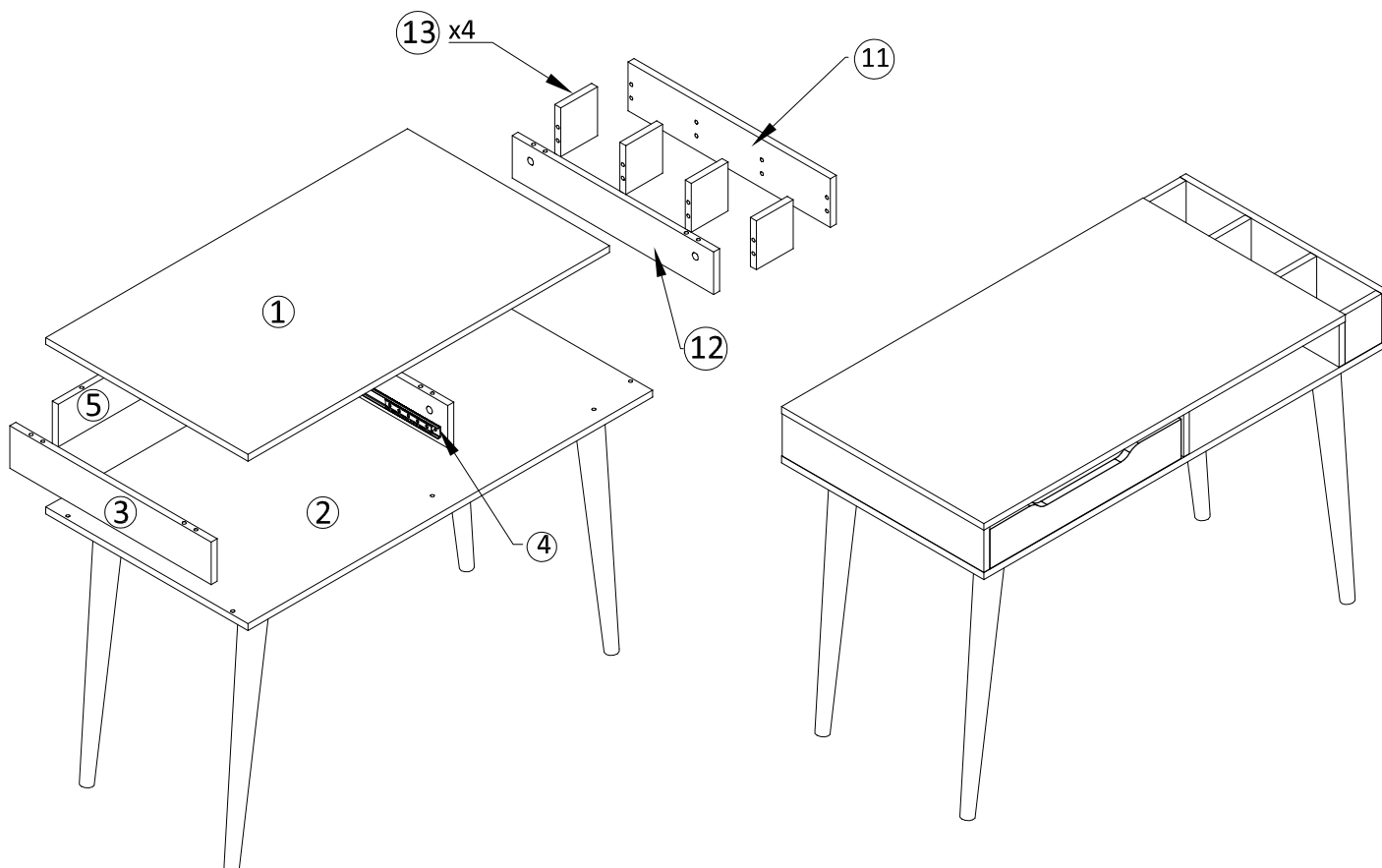
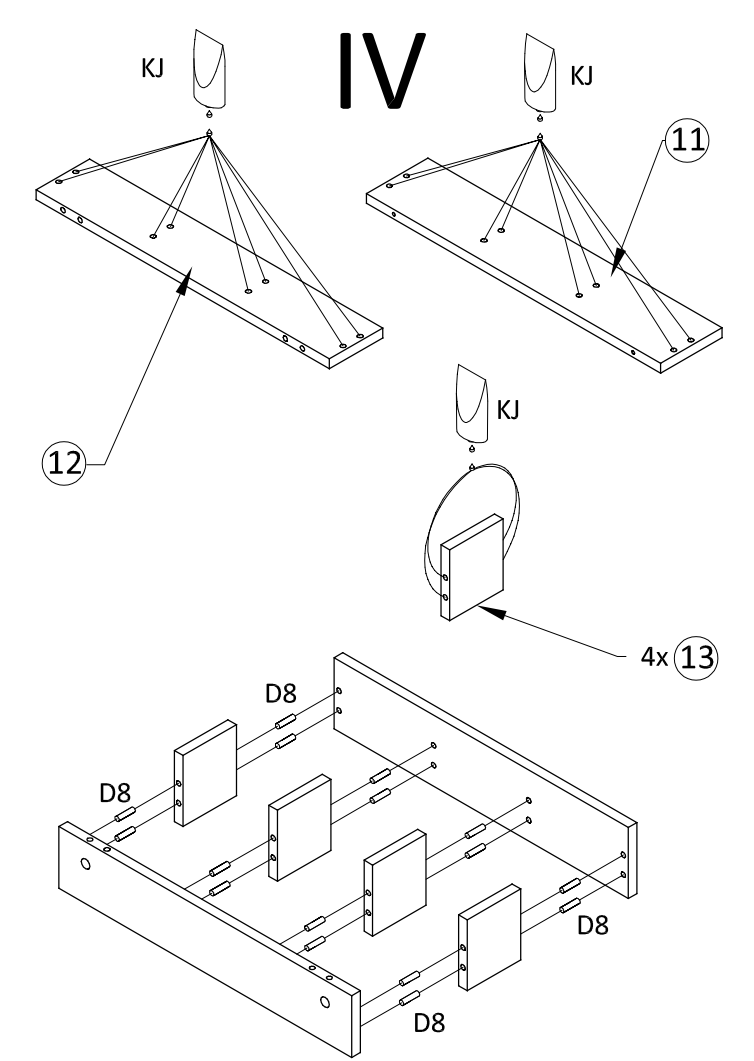
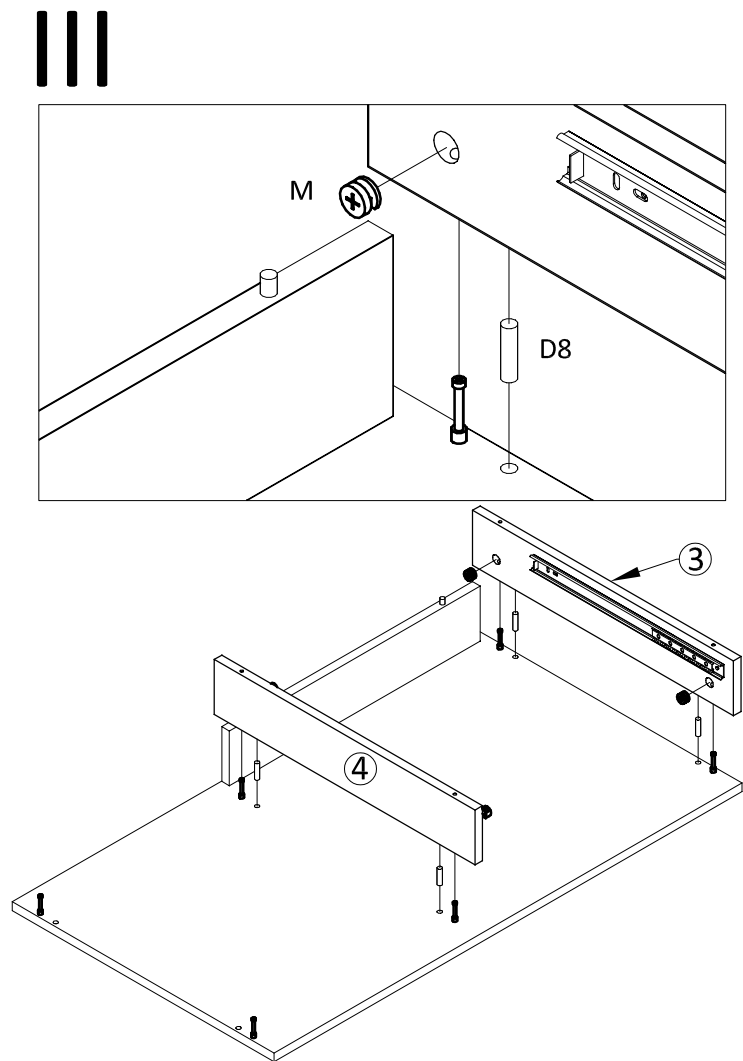
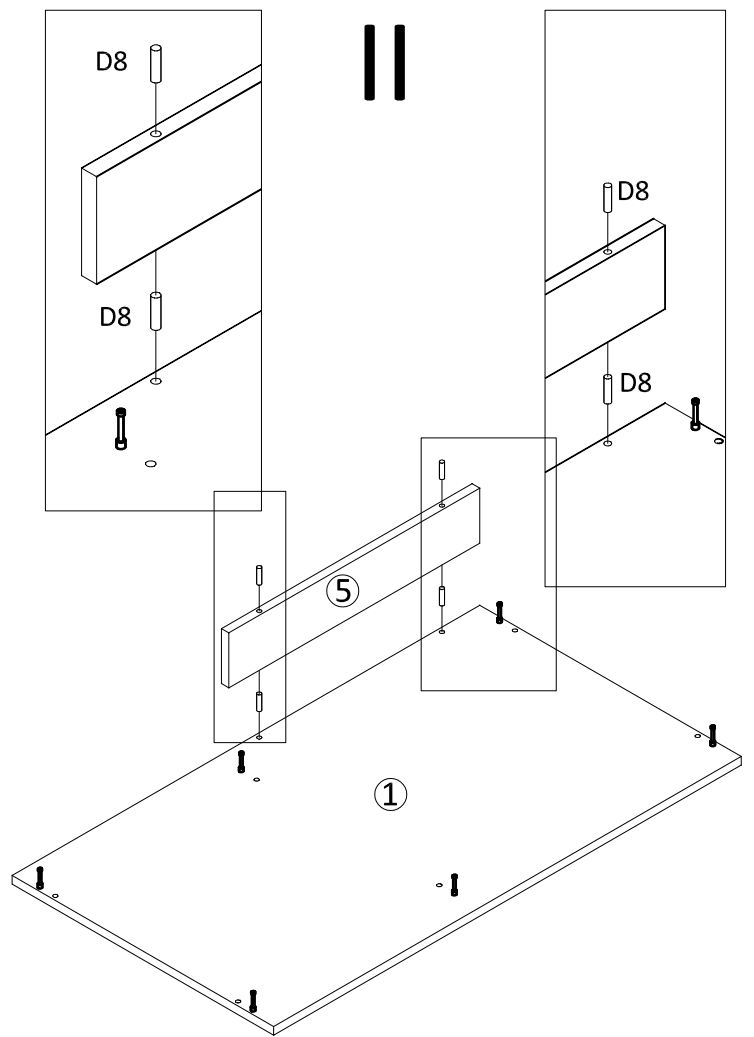
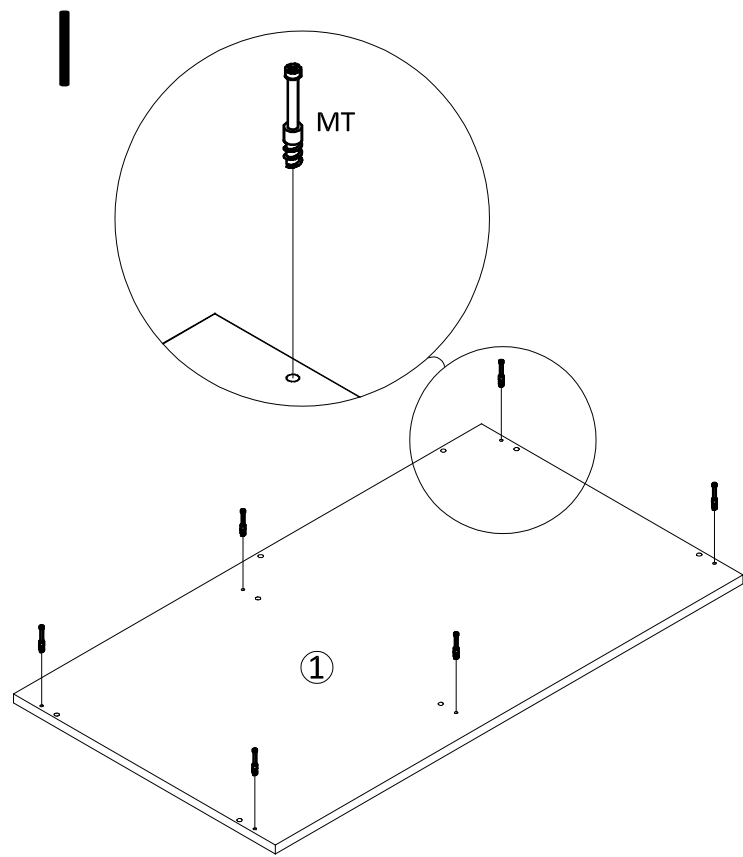


# SOFIE

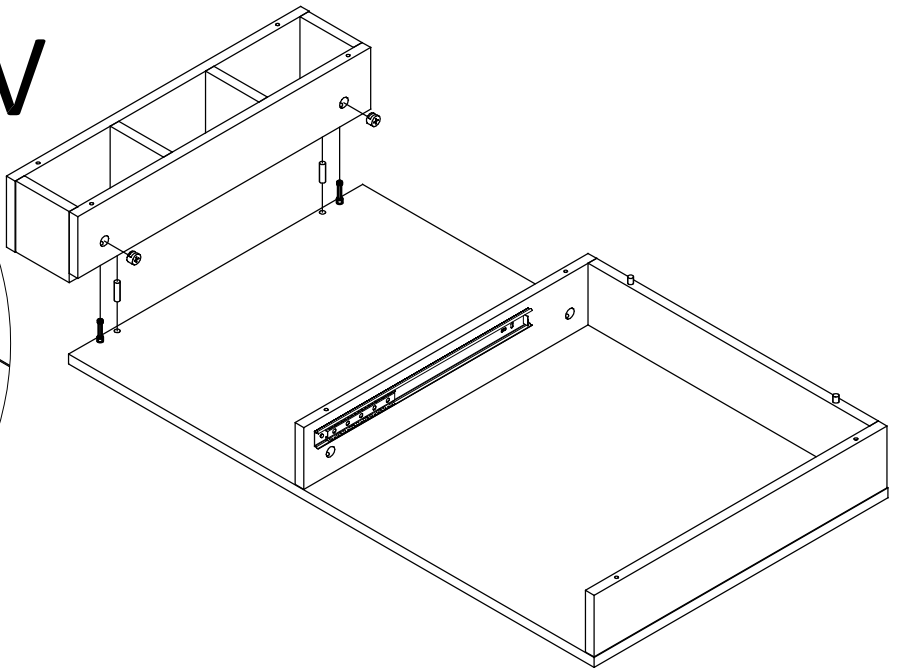
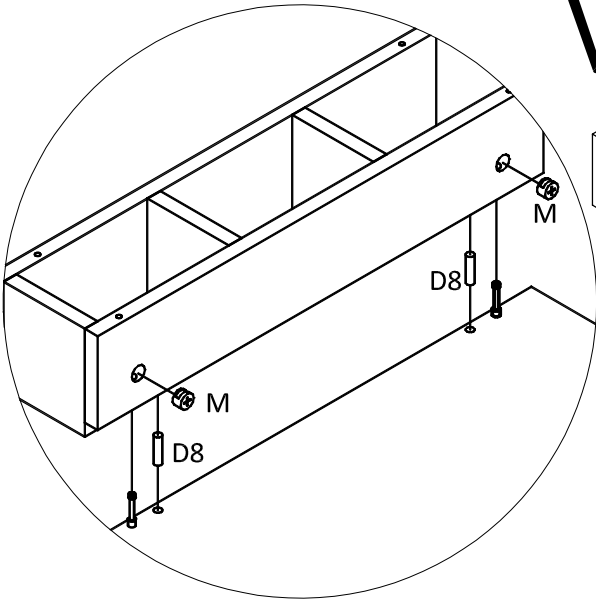


 MT x8	 M x8	 7x50 WK5 x10	 8x30 D8 x30	 A16 x1	 5x16 W5016 x20
 N20	 x4	 A01 x1	 NS2 x4		

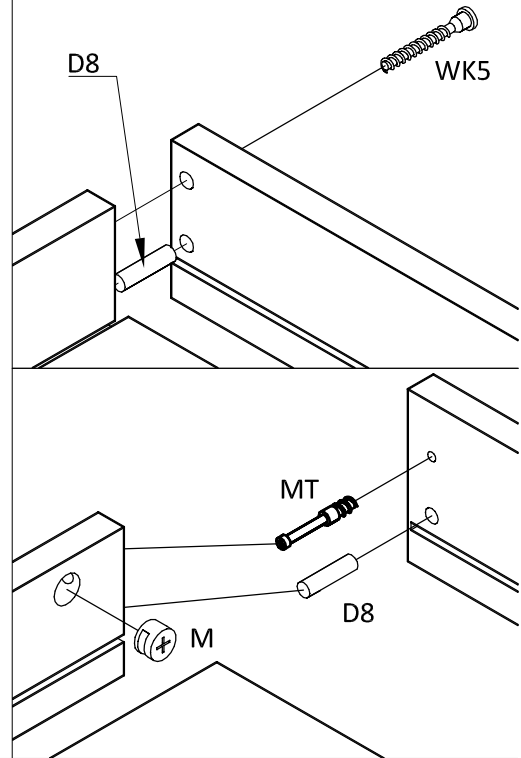
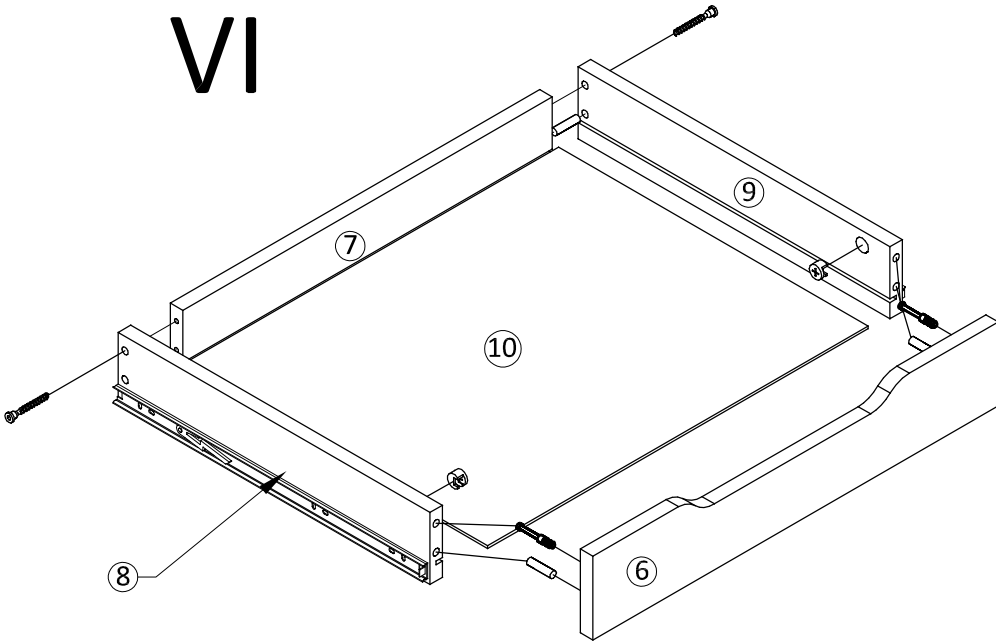




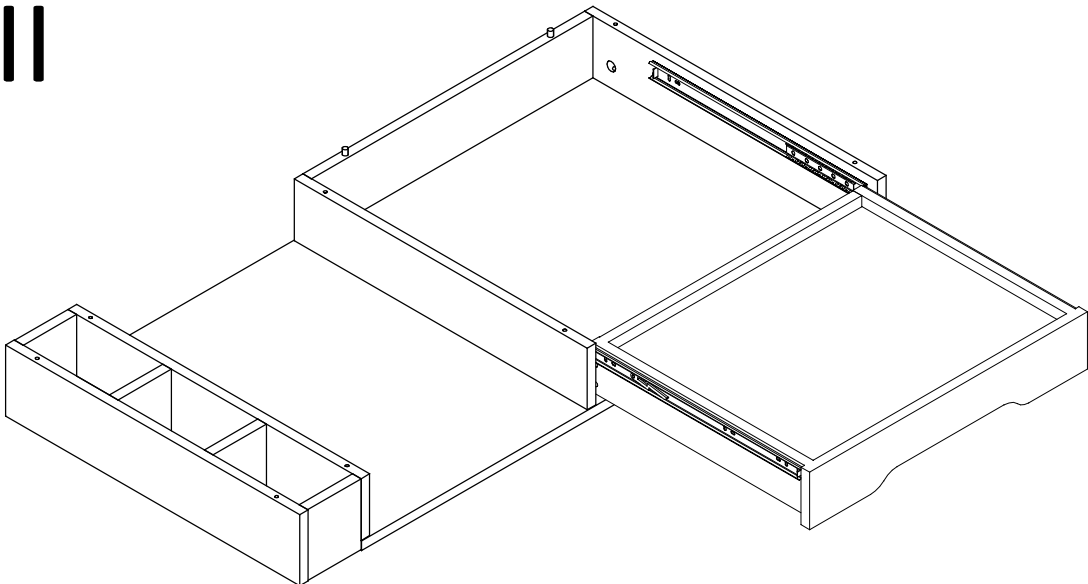
# V



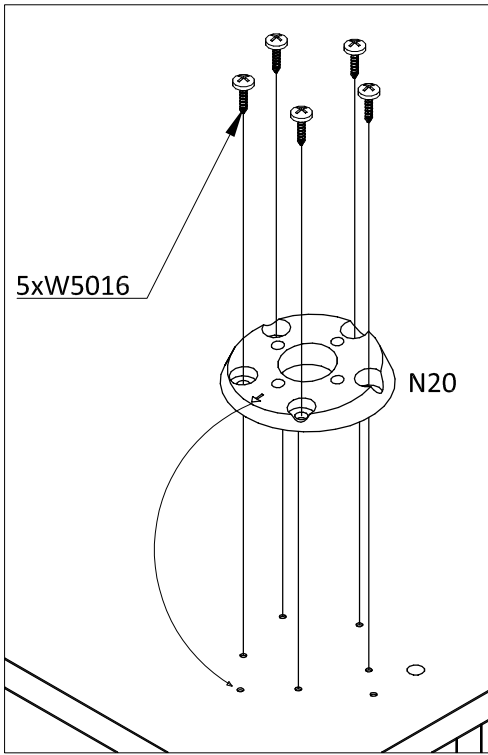
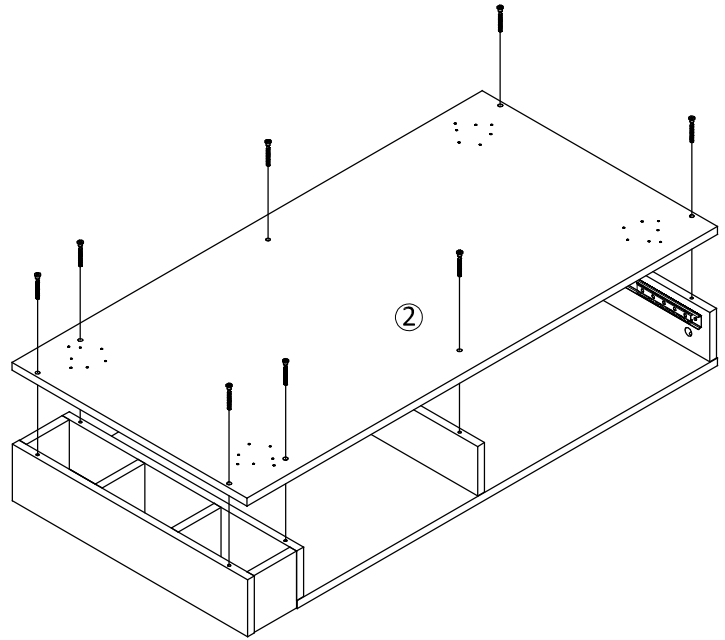
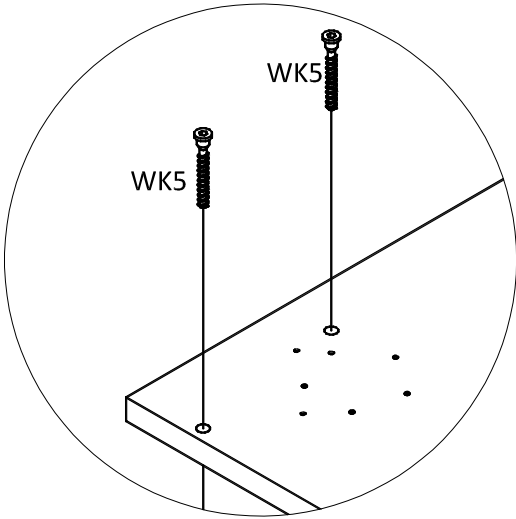
# VI



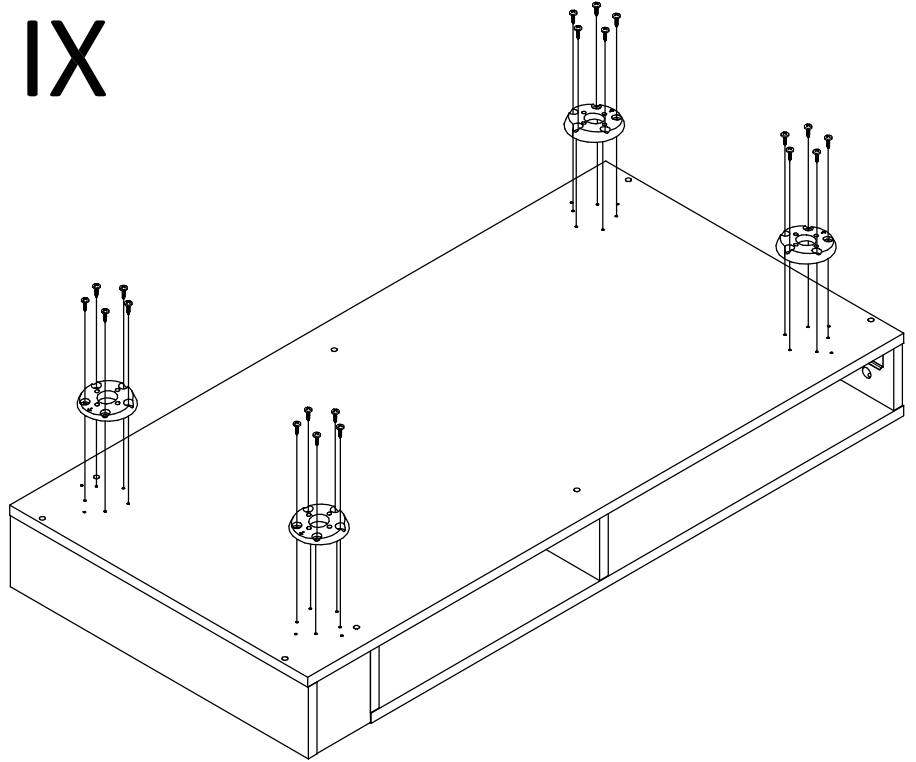
# VII



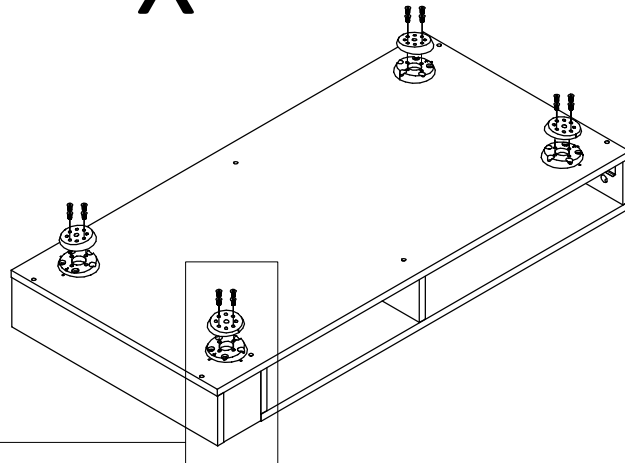
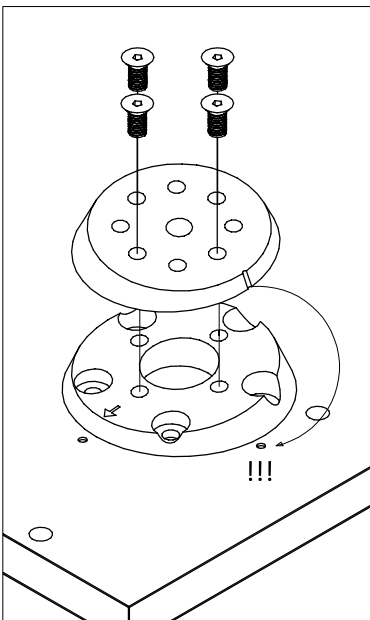
# VIII



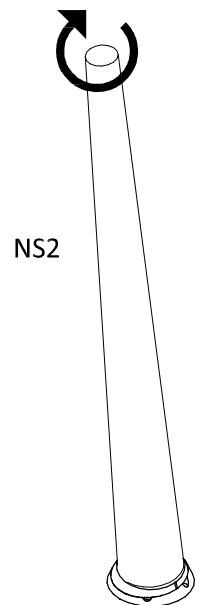
# IX



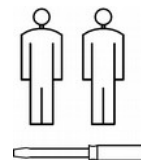
# X



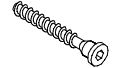



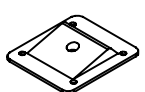

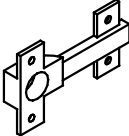



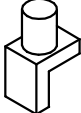

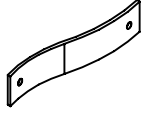



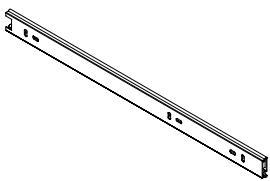



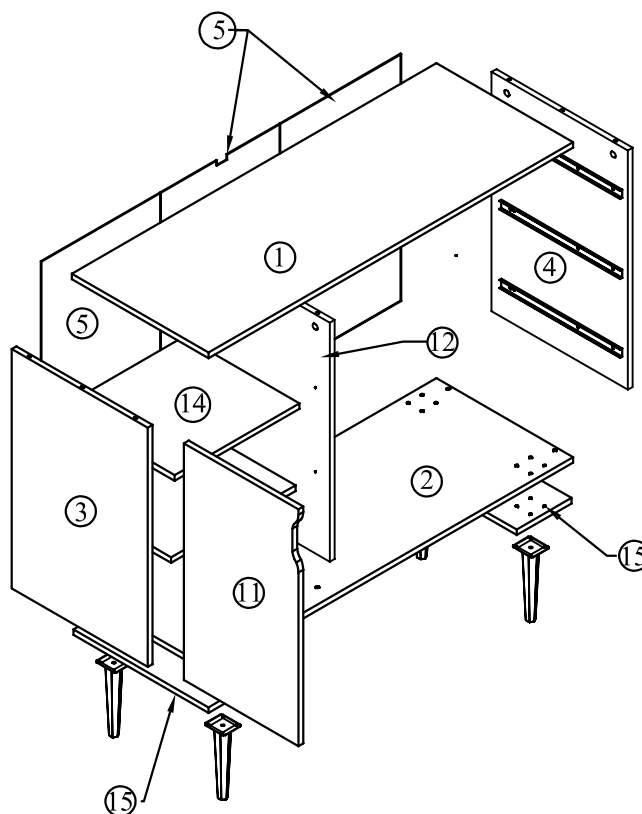
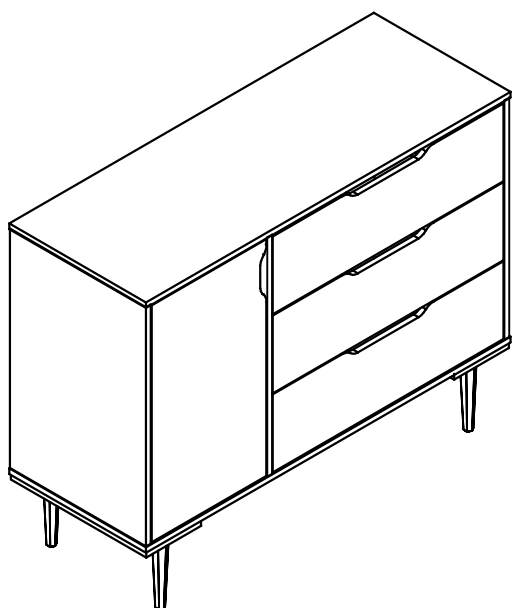
# XI

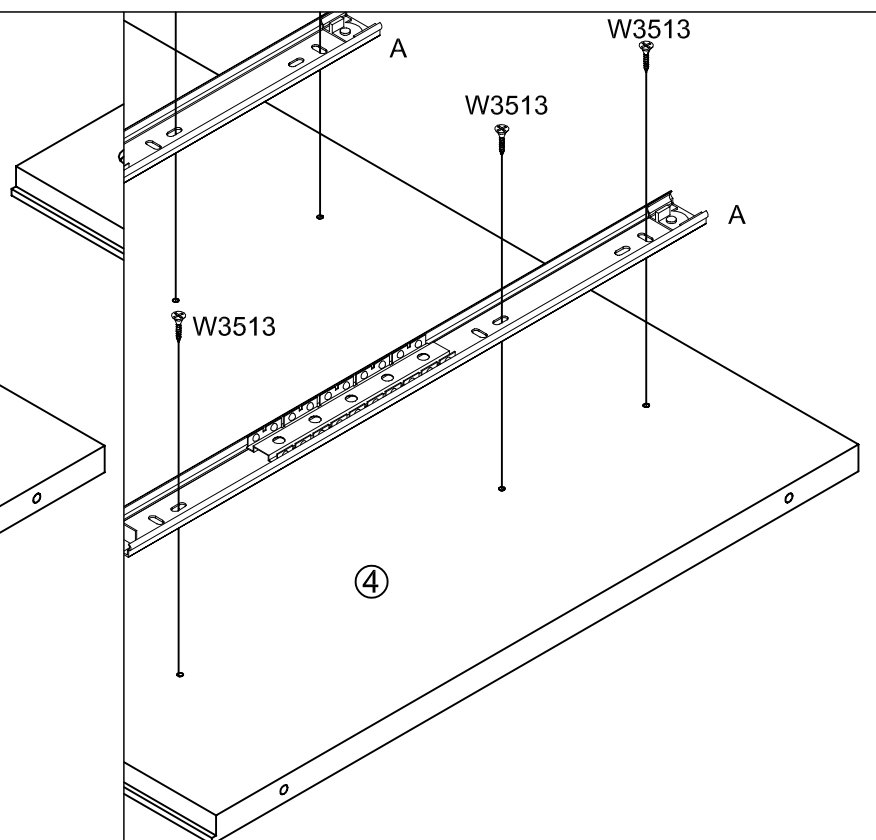
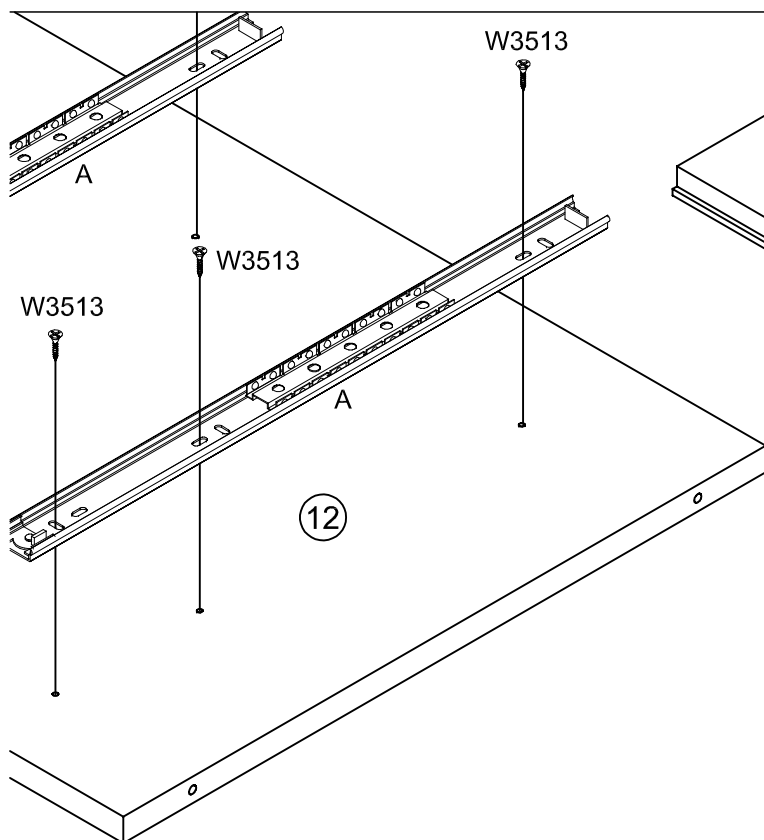
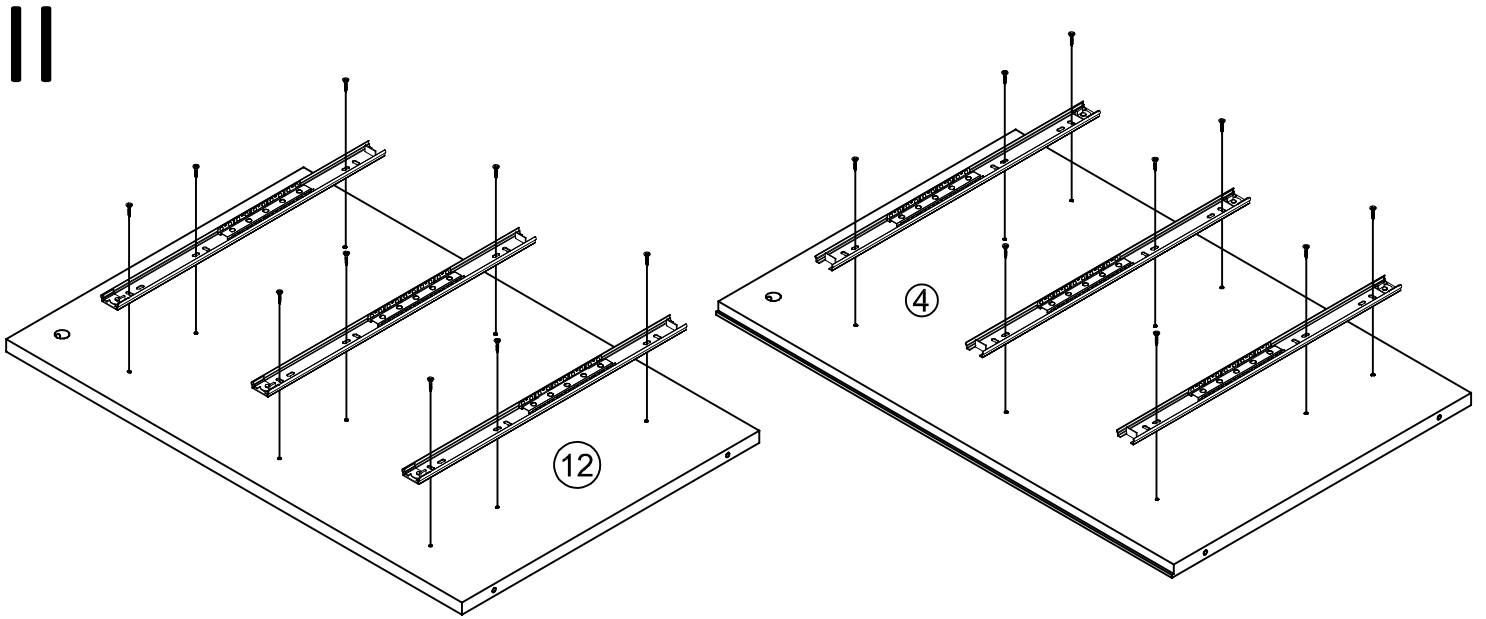
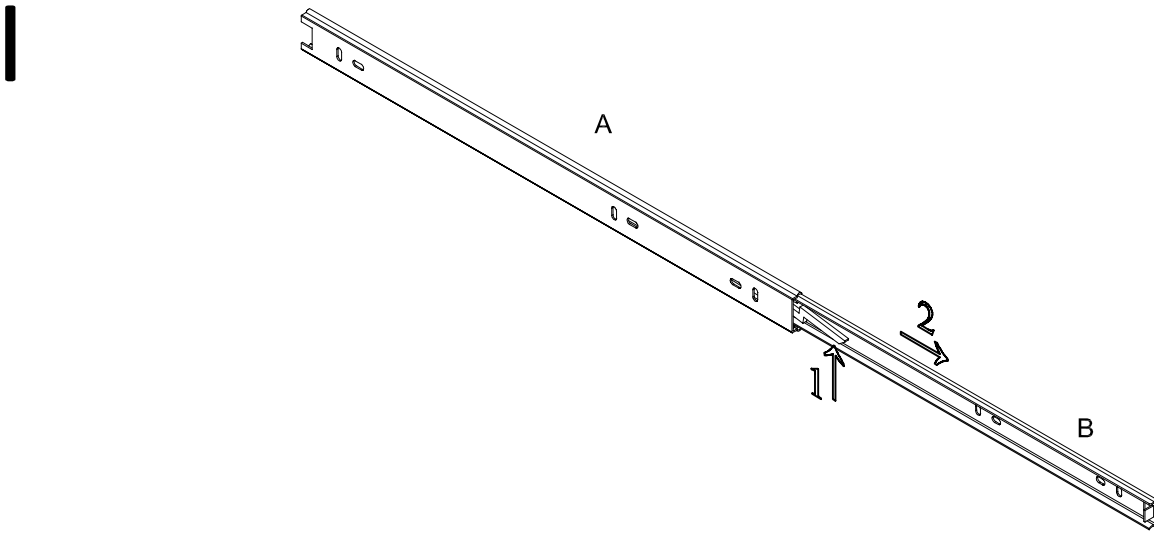


# SOFIE

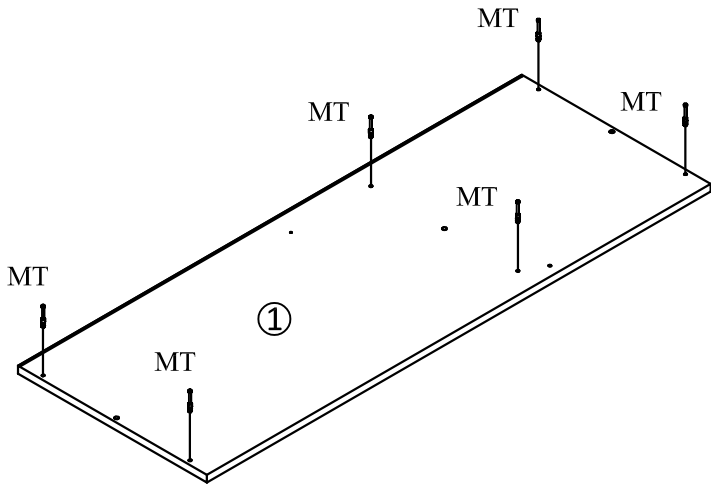
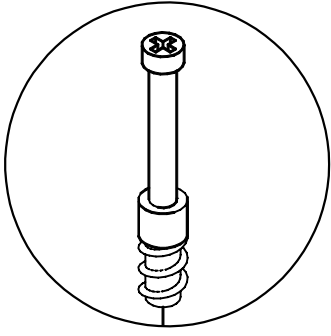


 MT x18	 M x18	 7.5x50 WK5 x18	 8x30 D8 x3	 Z431 x16	 S416 x16
 N10 x4	 NS1 x4	 ZG x2	 3.5x16 W3516 x5	 3.5x13 W3513 x36	 A02 x30
 A03 x1	 A05 x1	 A06 x1	 A09/1 x2	 A09 x2	 A04 x8
		 PK x6	 A01 x1		

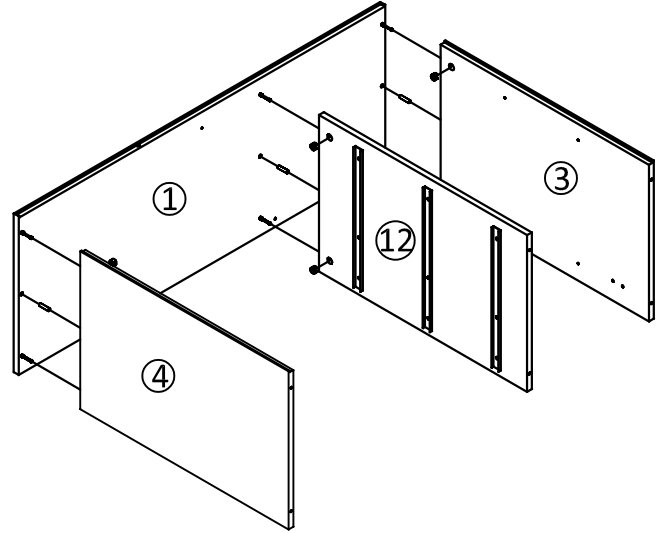
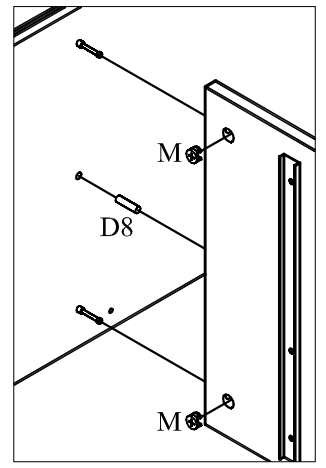




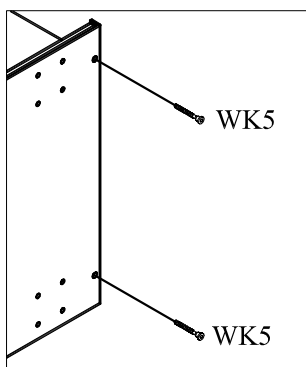
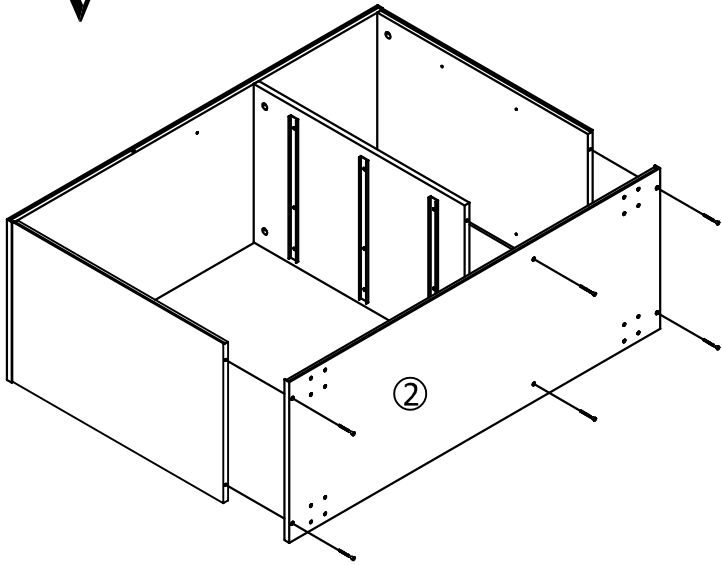
# III



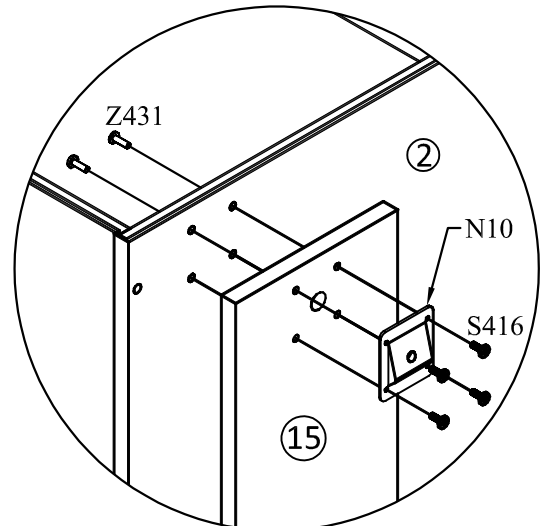
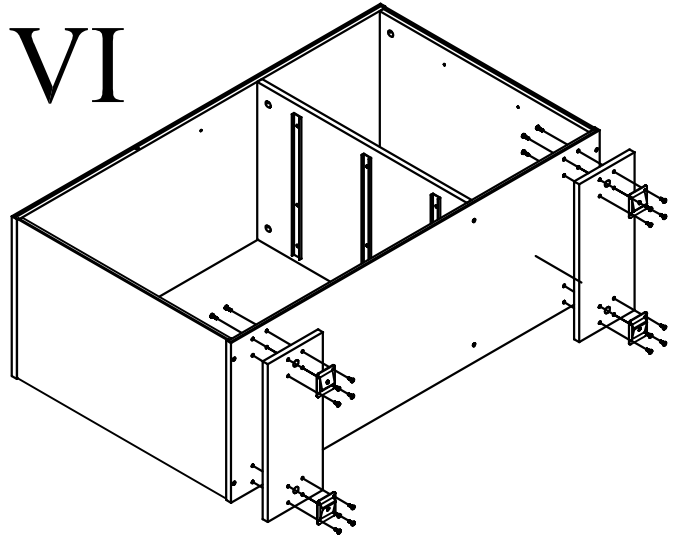
# IV



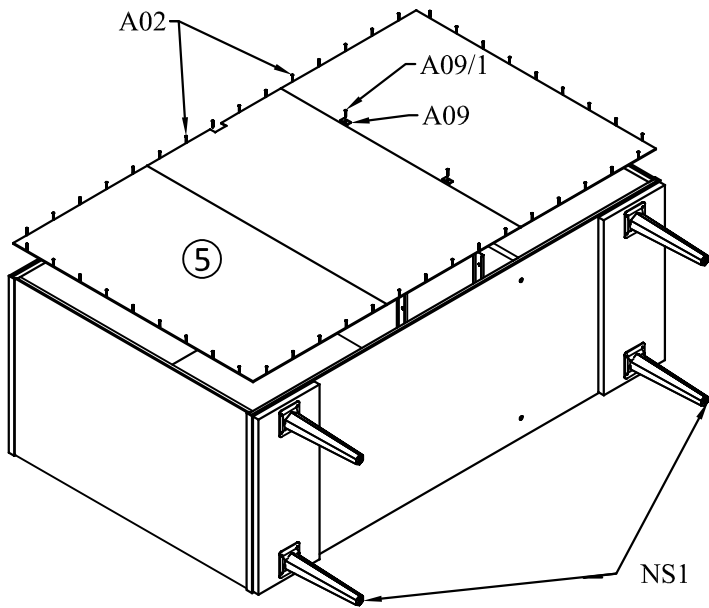
# V



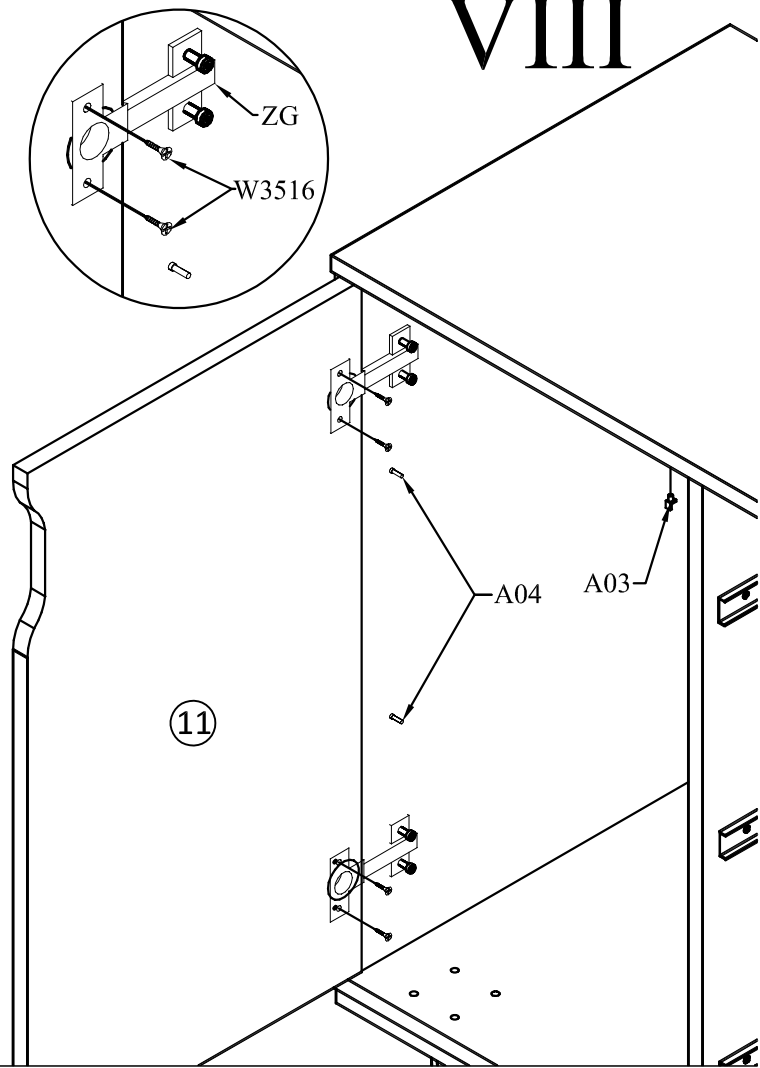
# VI



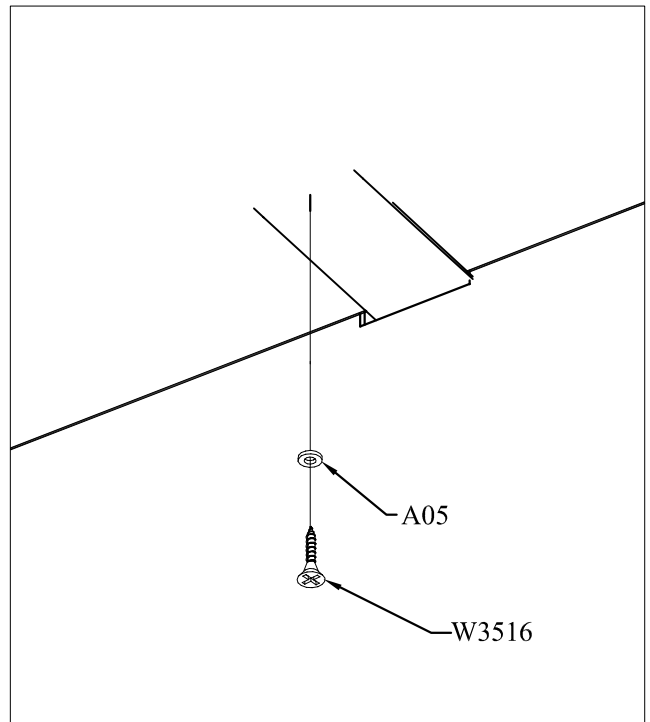
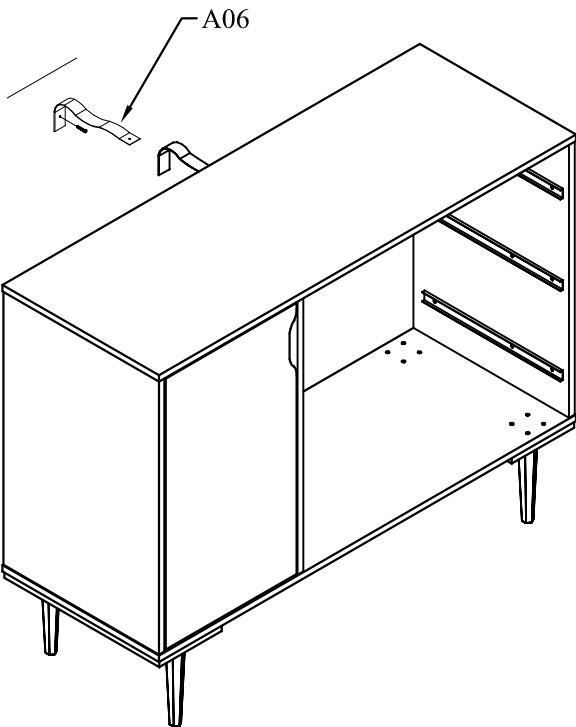
# VII



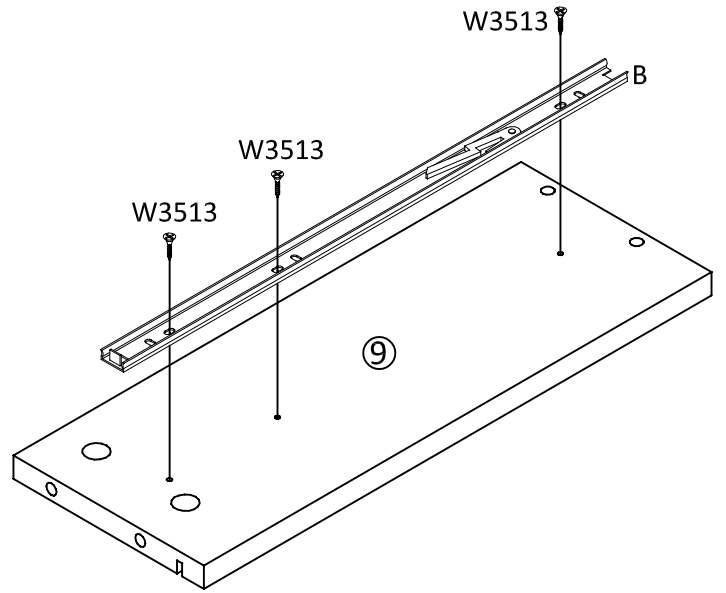
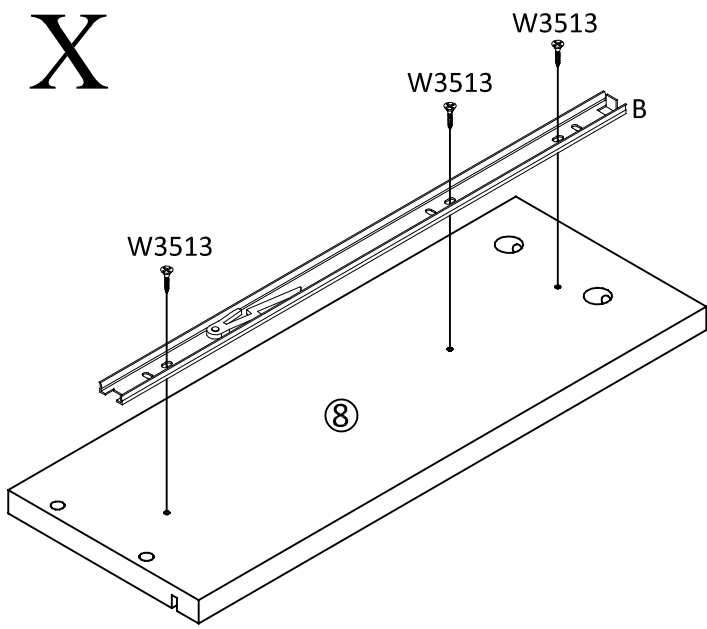
# VIII



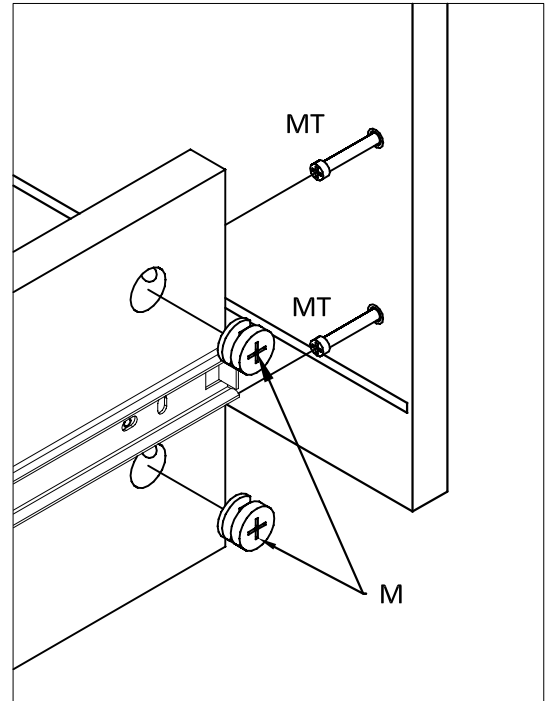
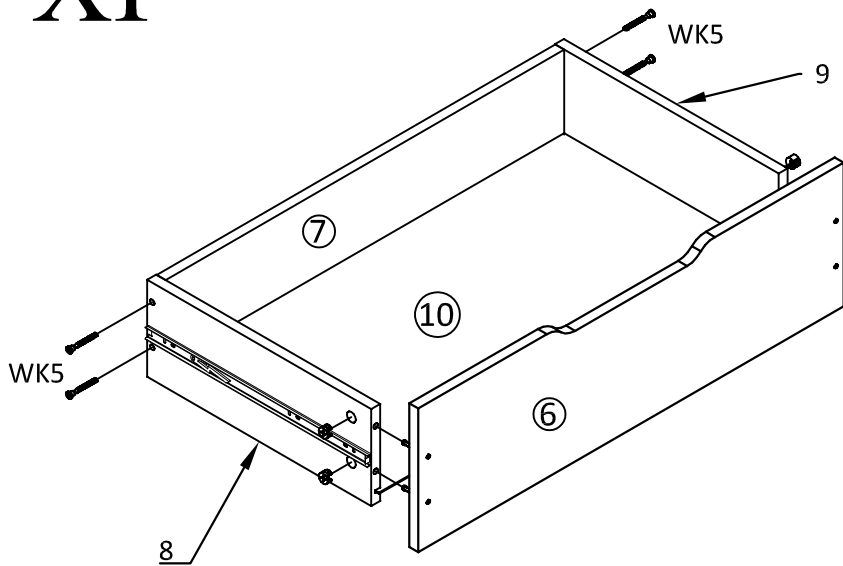
# IX



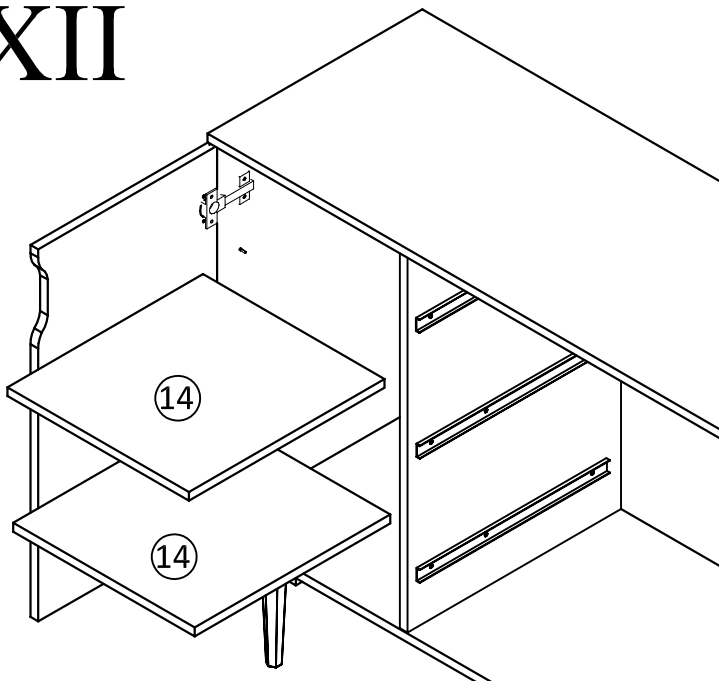
# X



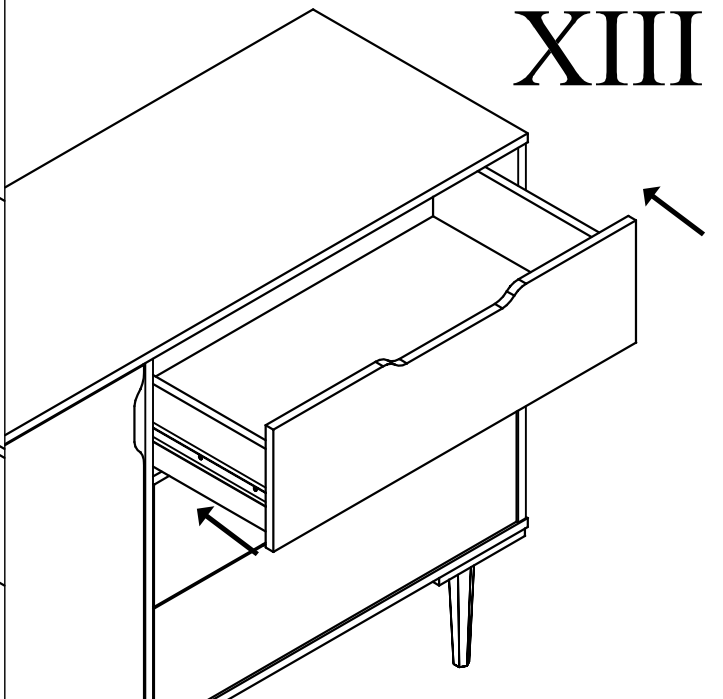
# XI



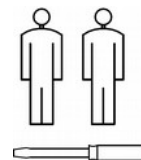
# XII



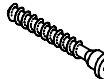
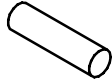




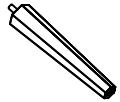
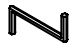


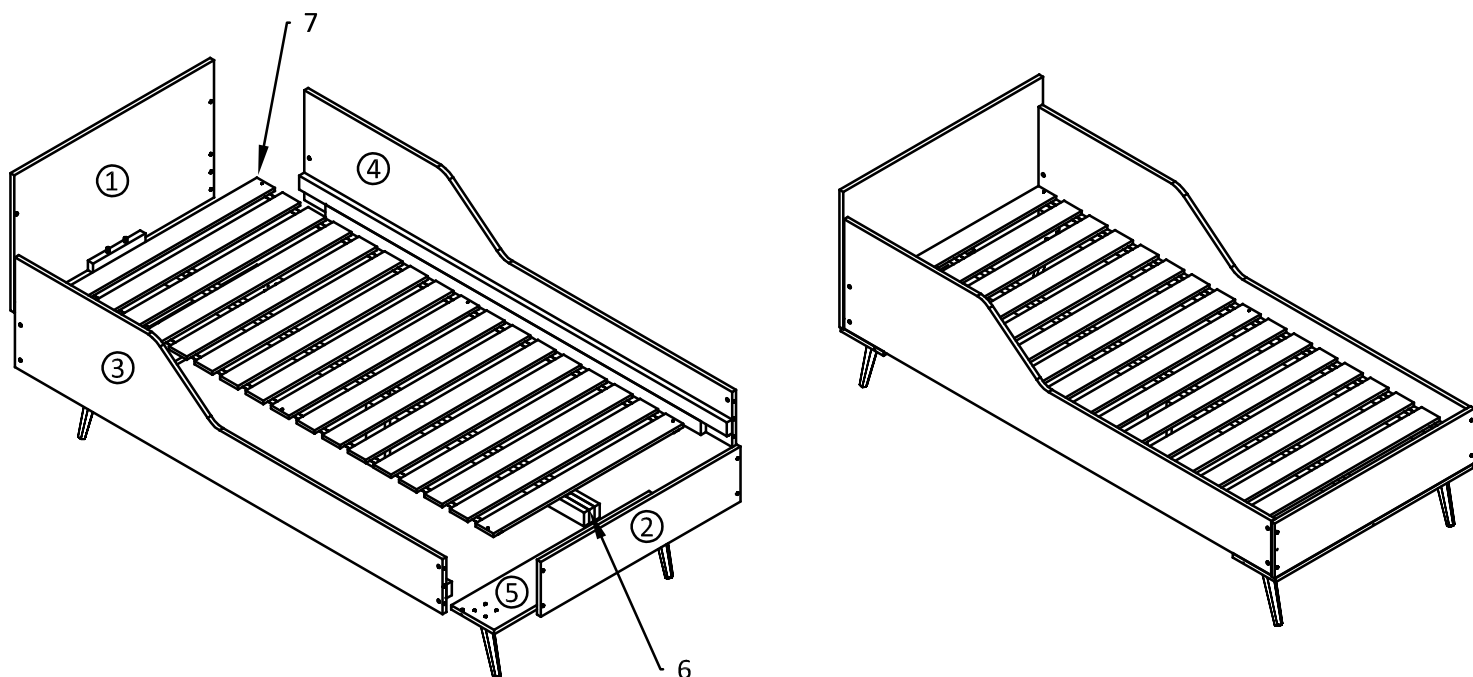
# XIII

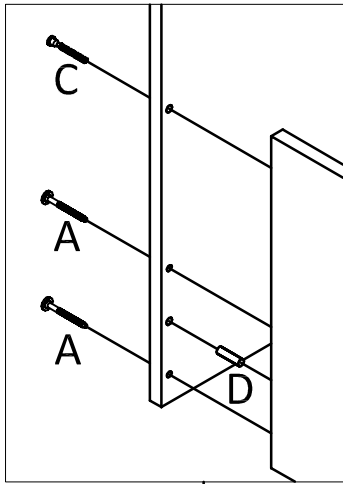


# SOFIE

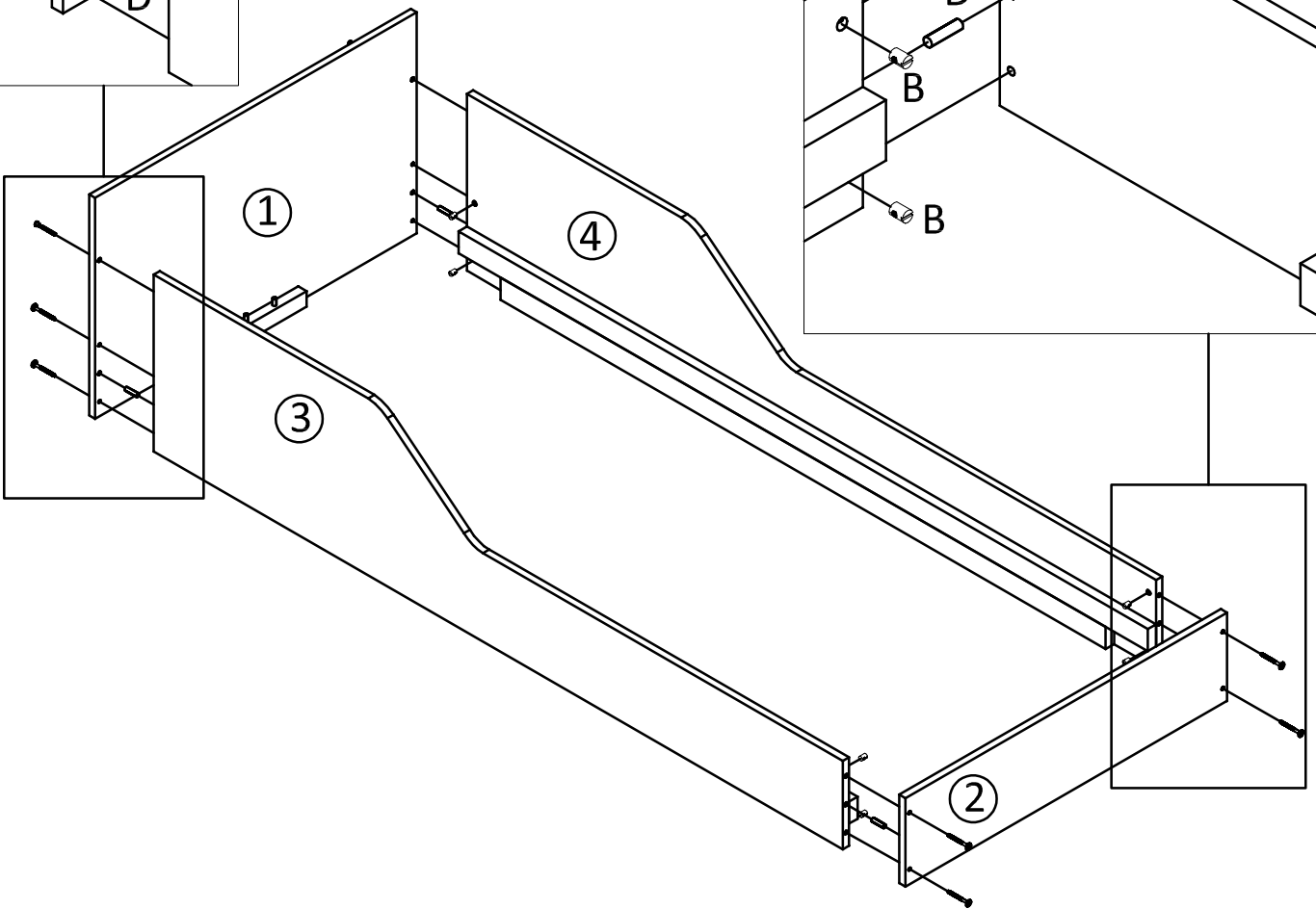
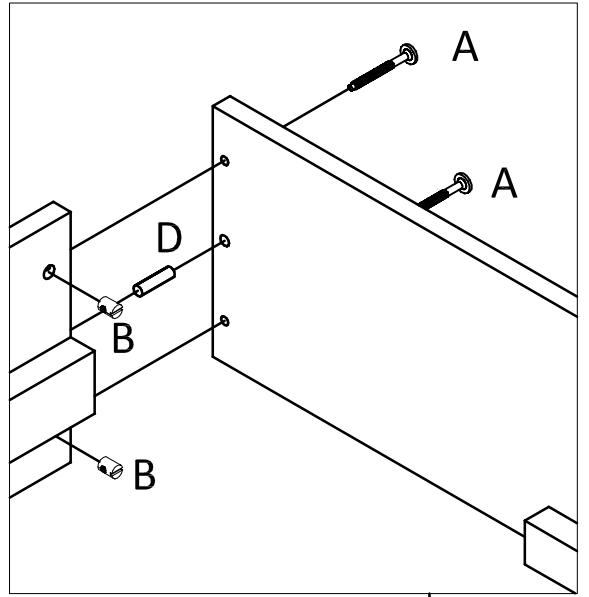


<p>M6x50</p>  <p>A 8</p>	 <p>B 8</p>	<p>7x50</p>  <p>C 8</p>	<p>8x30</p>  <p>D 4</p>
<p>3.5x35</p>  <p>E 6</p>	 <p>F 4</p>	 <p>G 16</p>	 <p>H 16</p>
 <p>I 4</p>	 <p>J 1</p>		

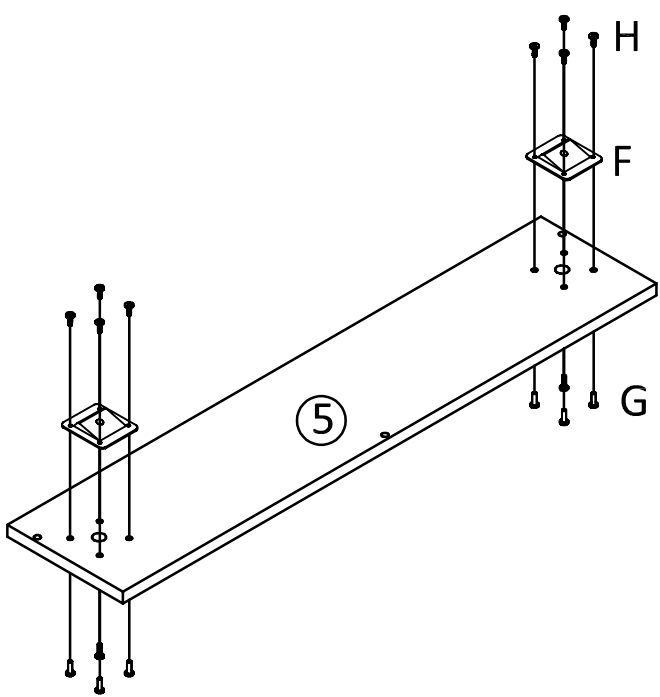




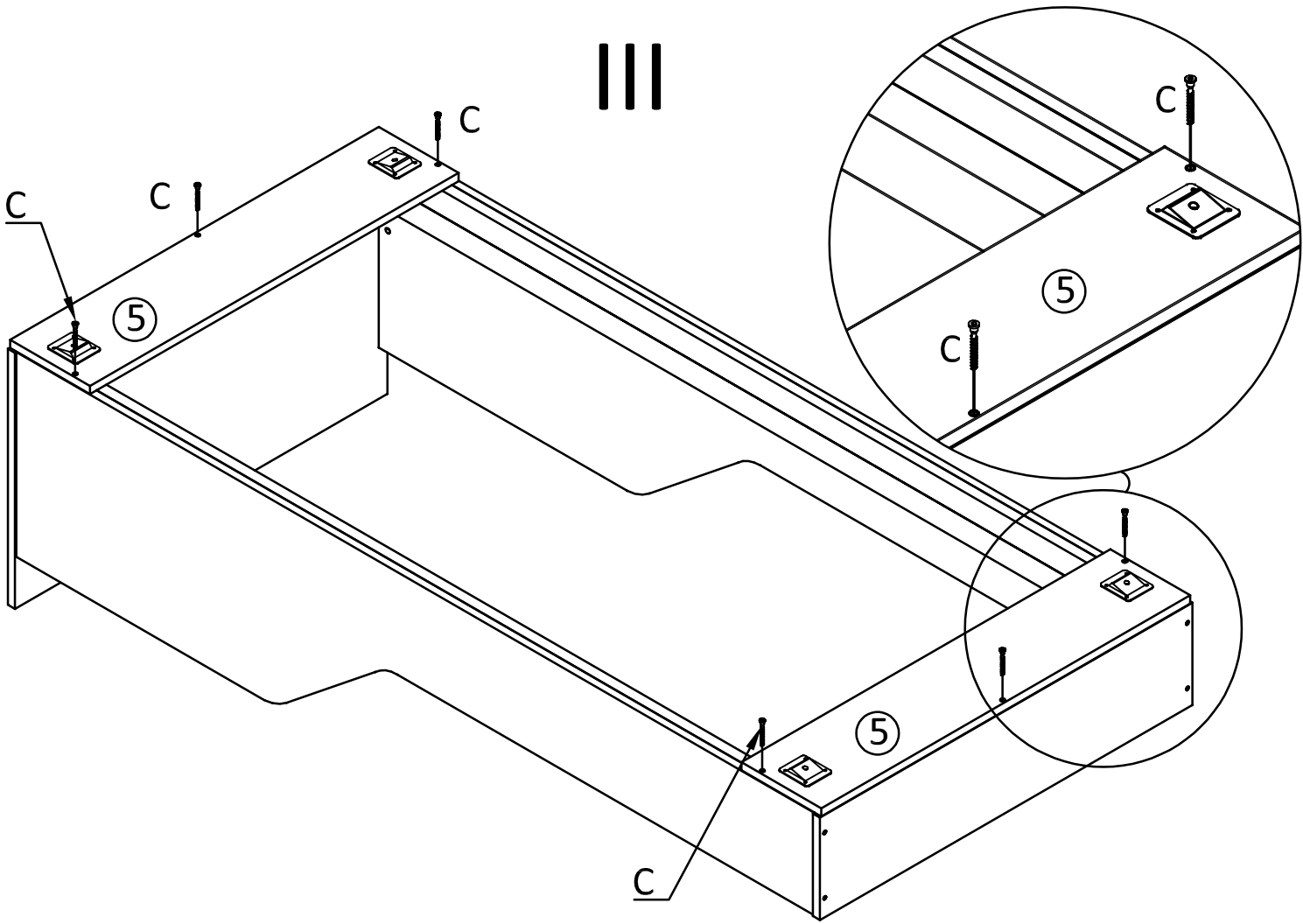
I



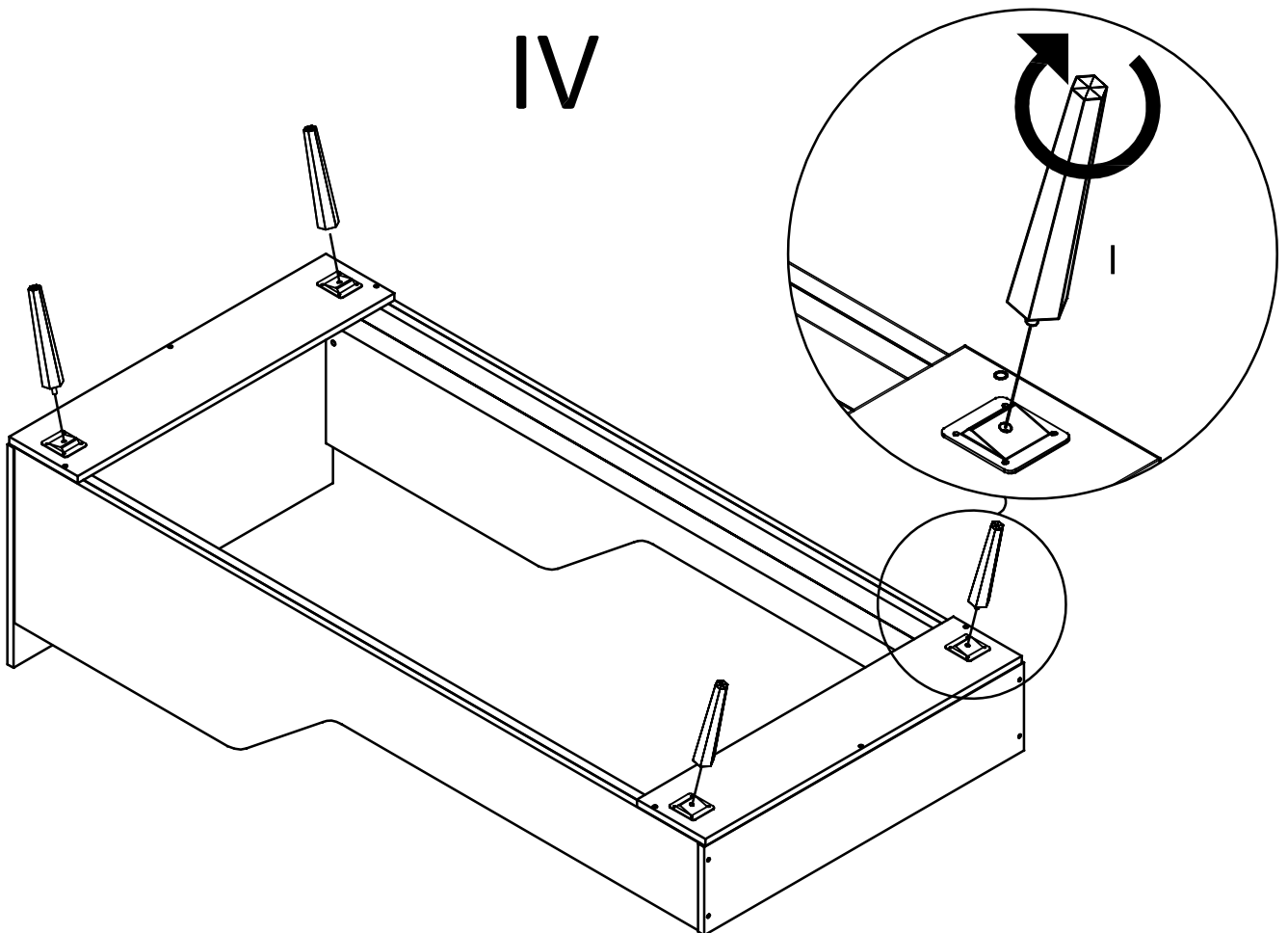
II



III

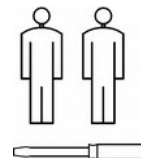


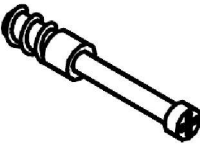
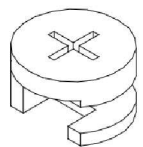
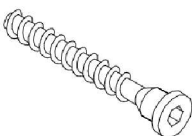
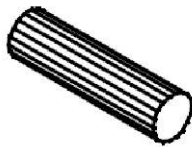
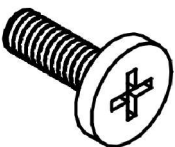
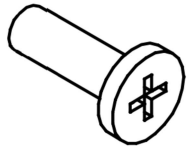
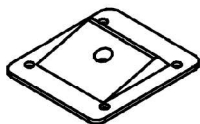


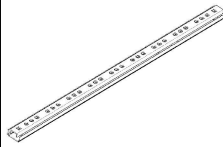

IV

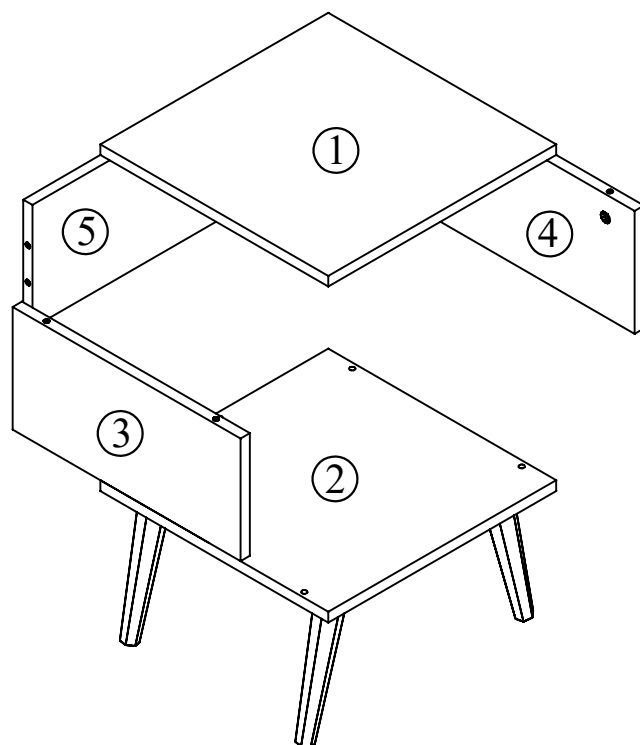
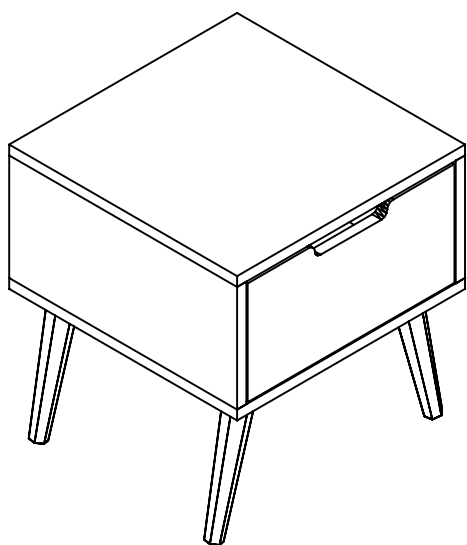


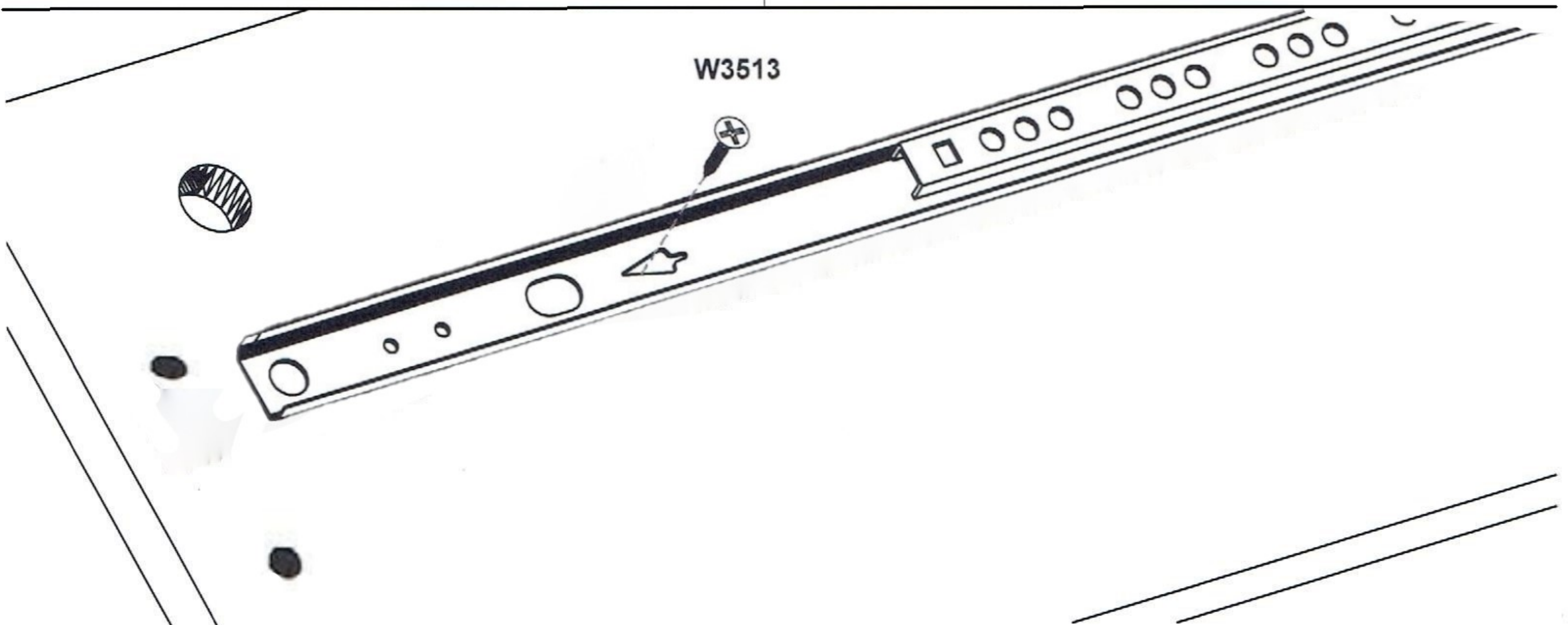
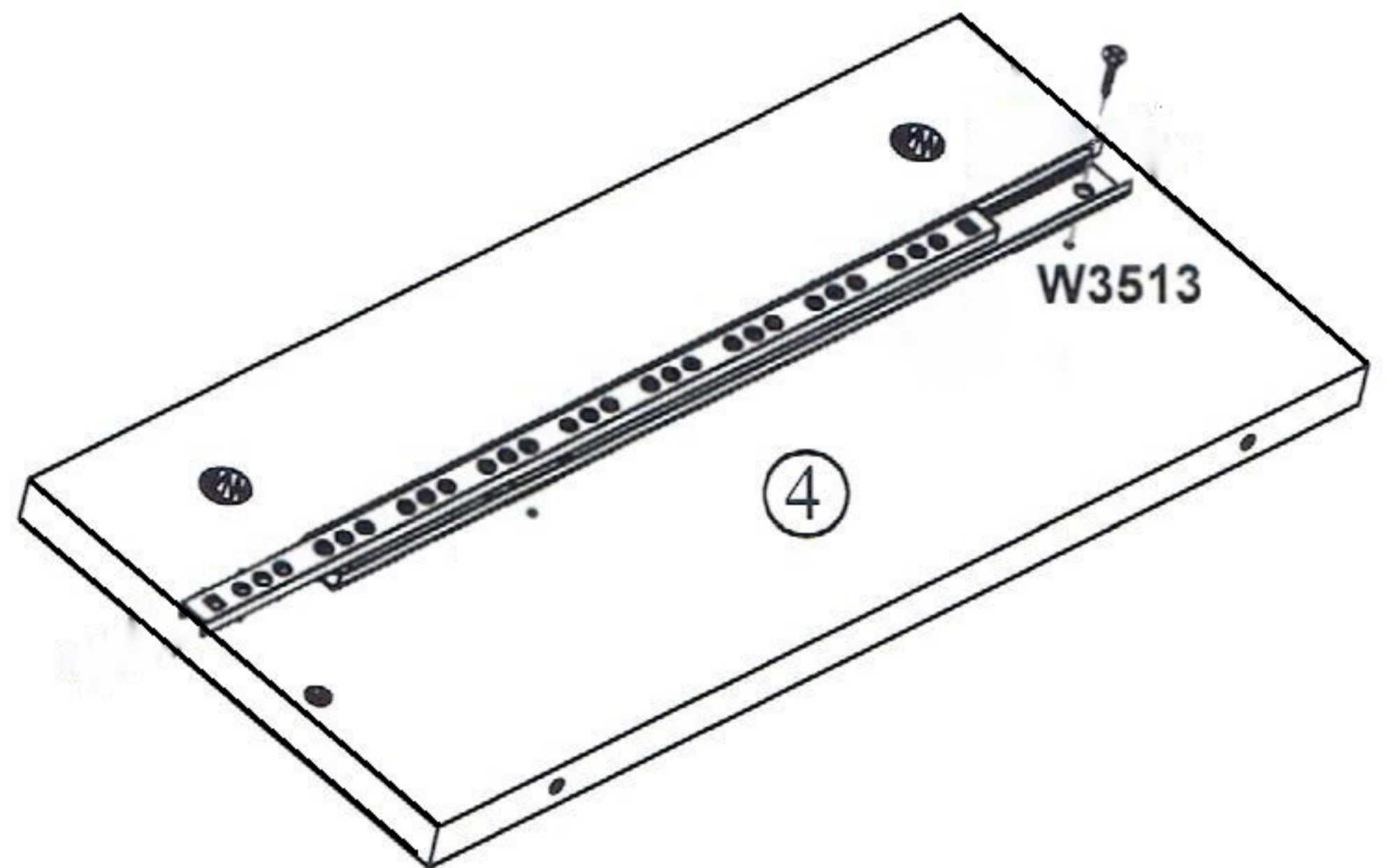
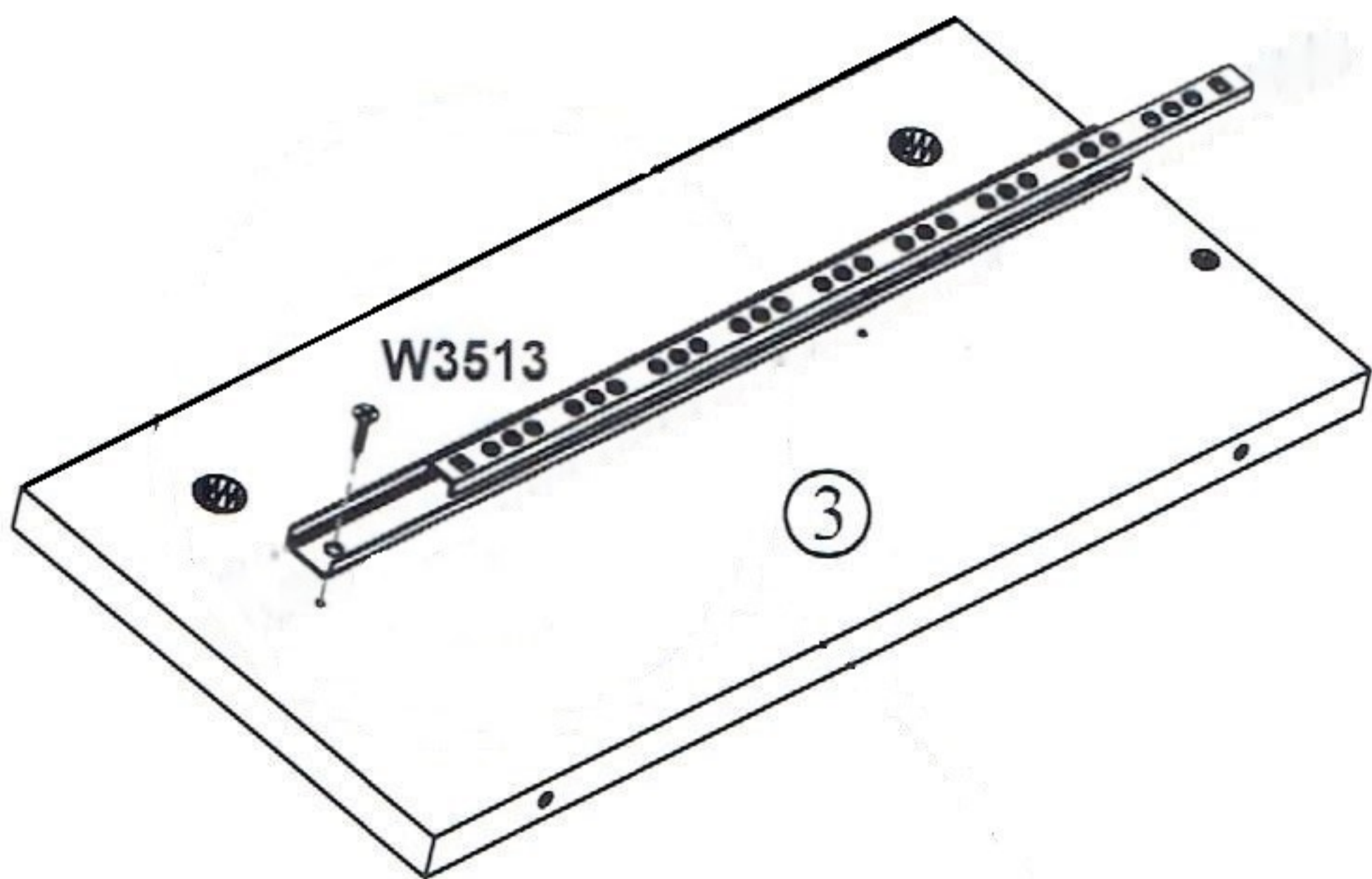
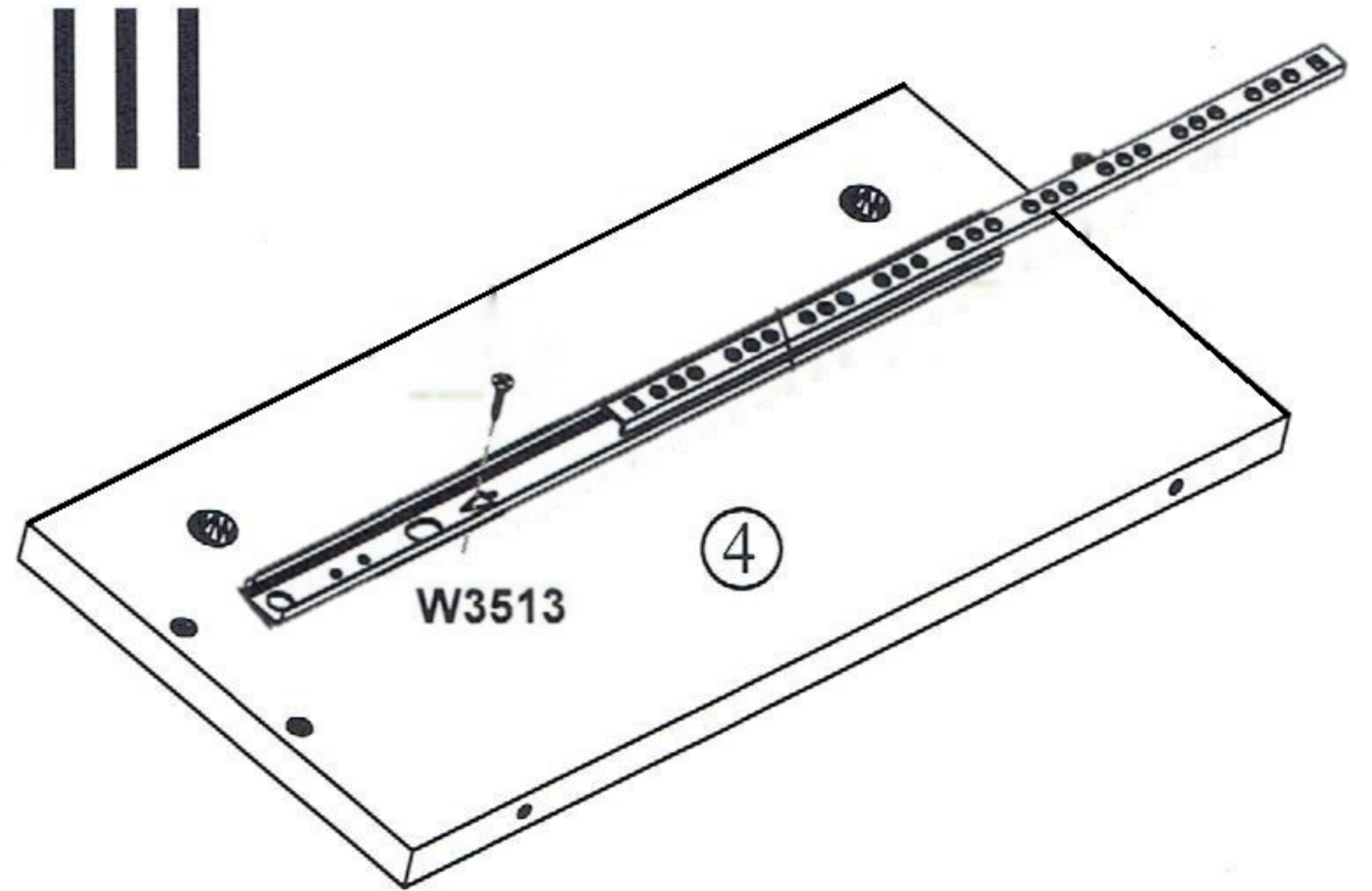
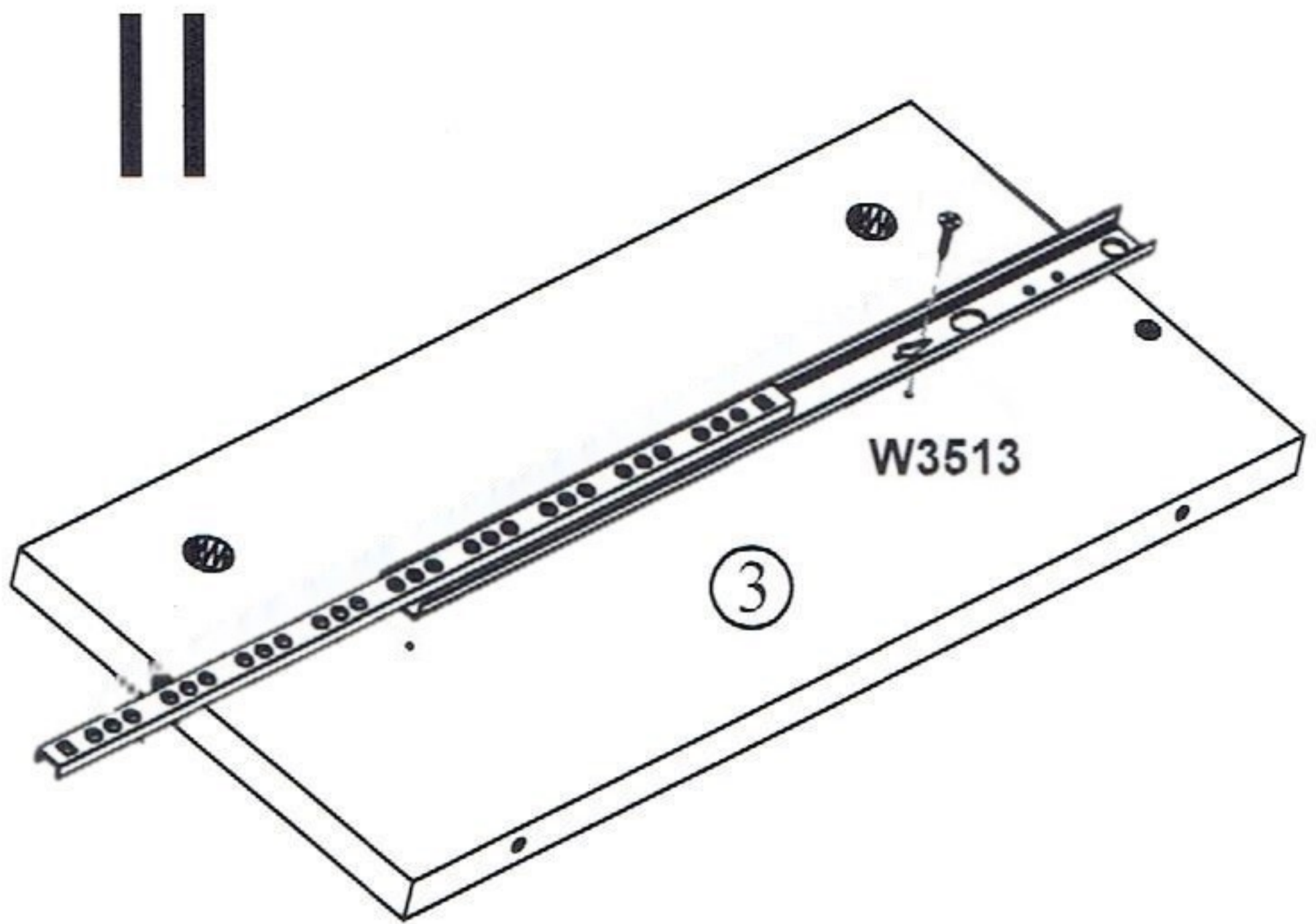
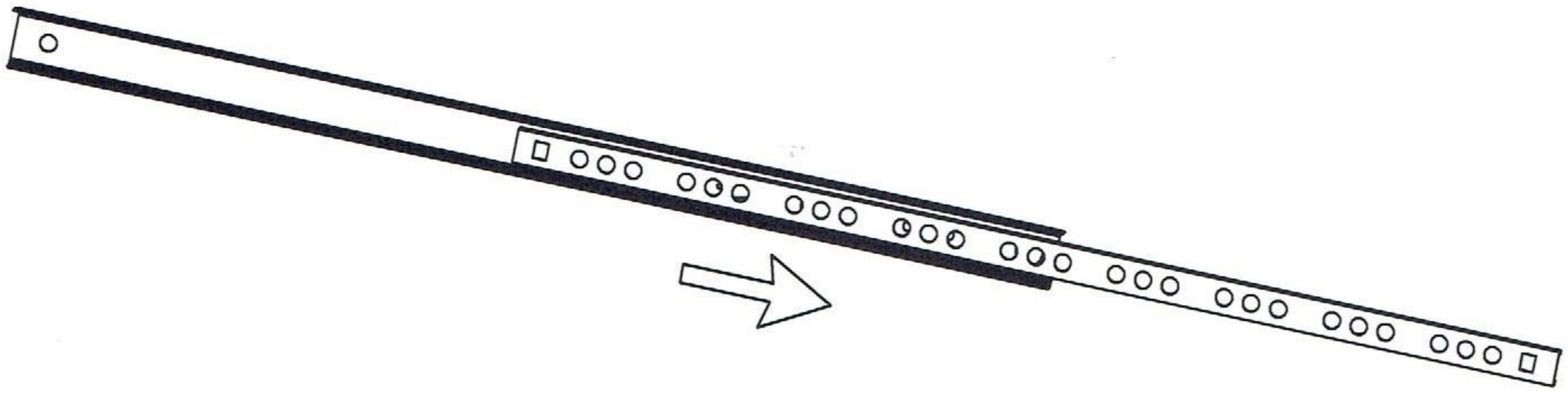


# SOFIE

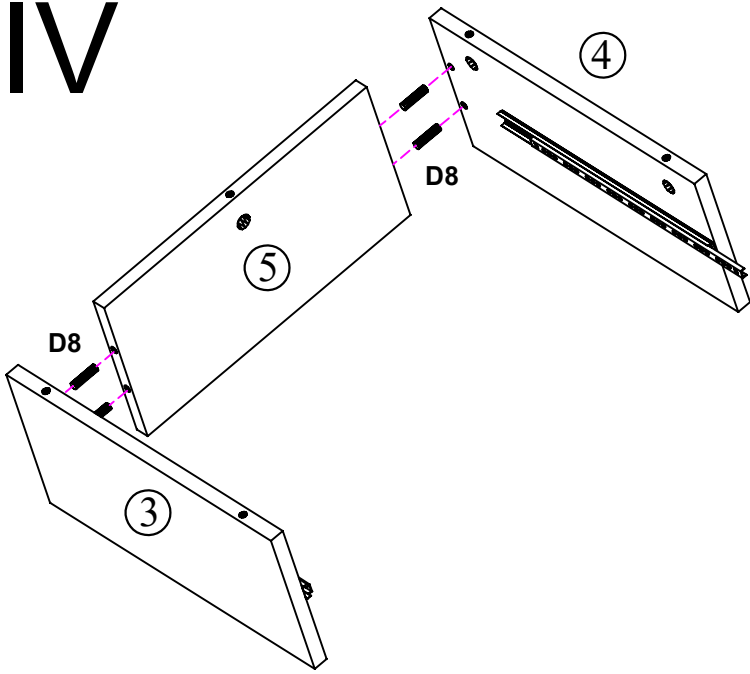


					
MT	M	WK5	D8	S412	Z415
x9	x9	x9	x4	x16	x16
					
N10	NS1	W3513	PK17	A01	
x4	x4	x8	x2	x1	

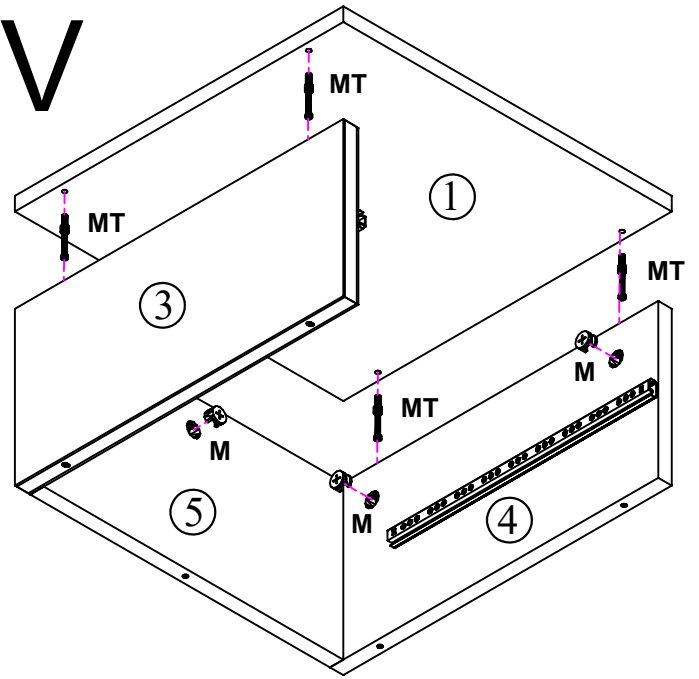




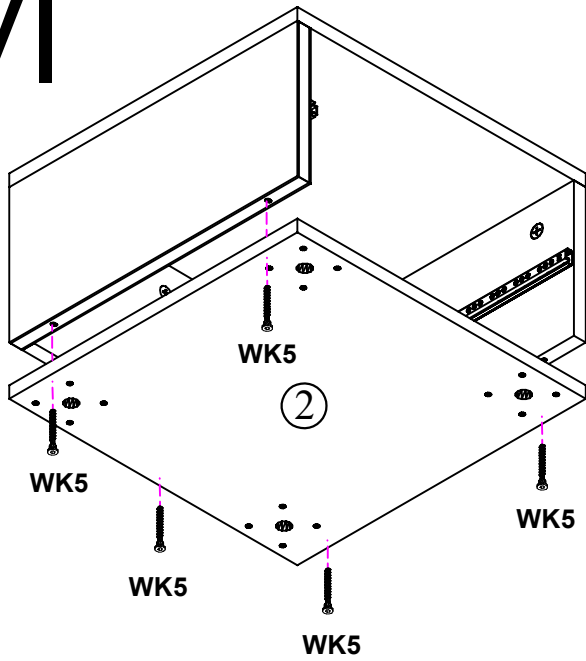
# IV



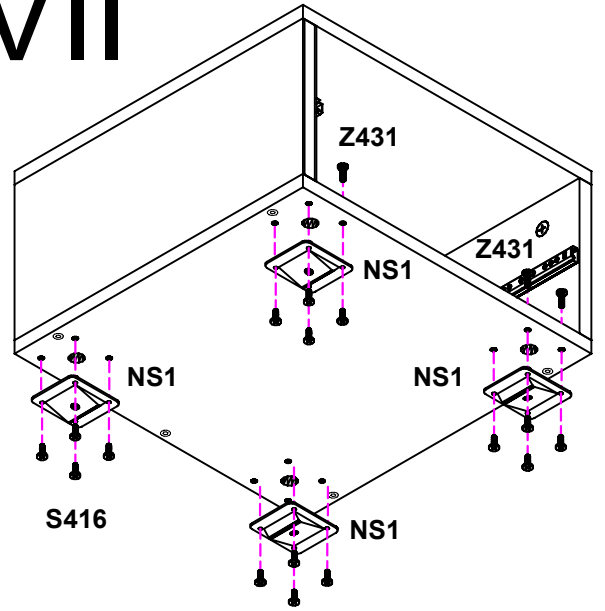
# V



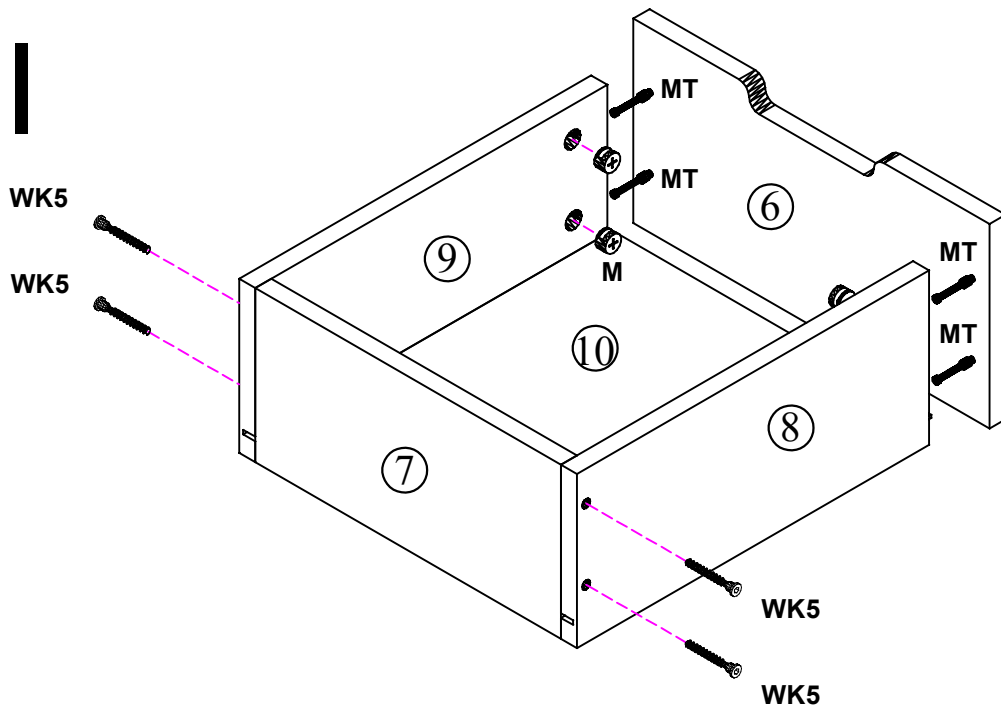
# VI



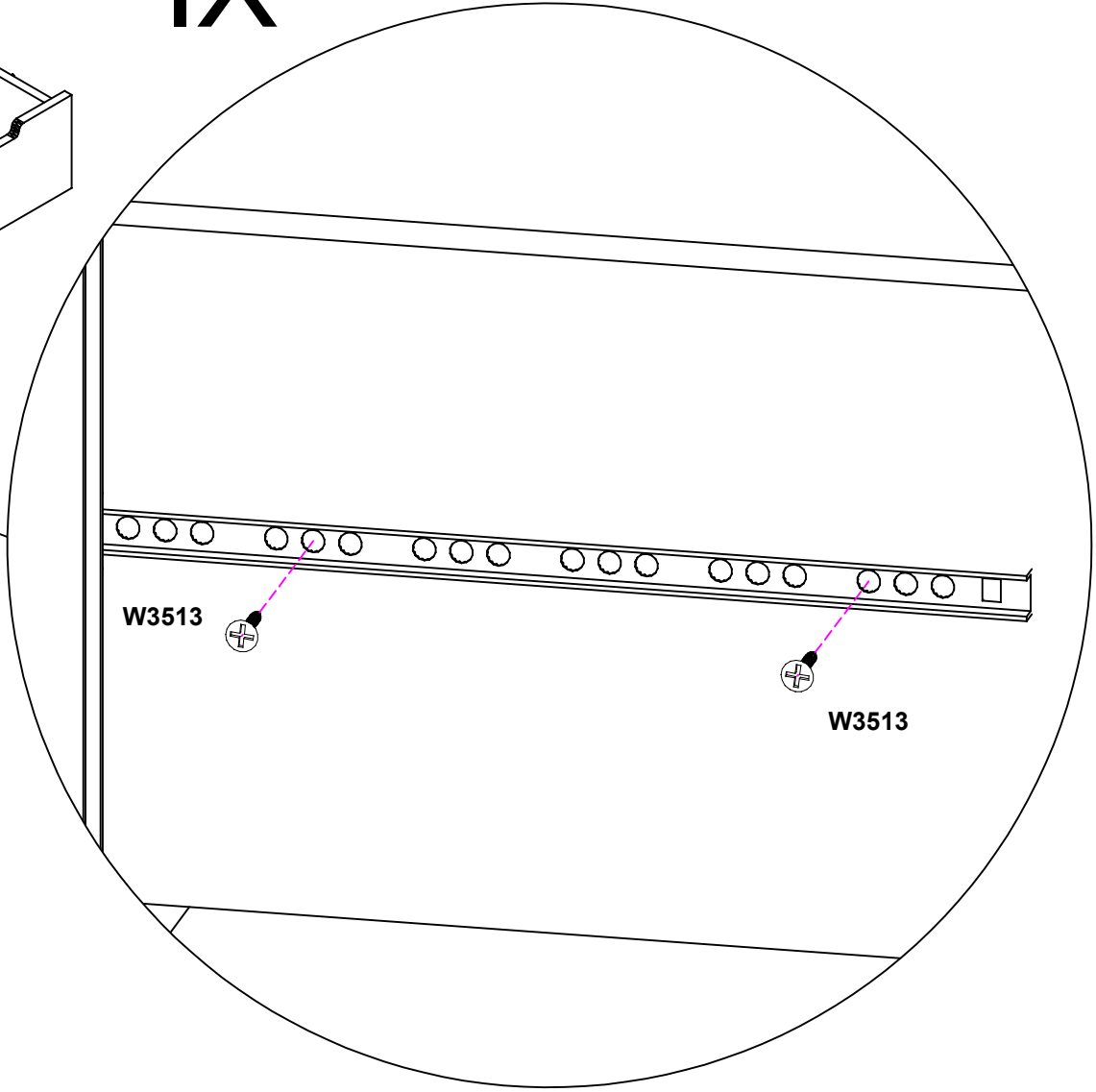
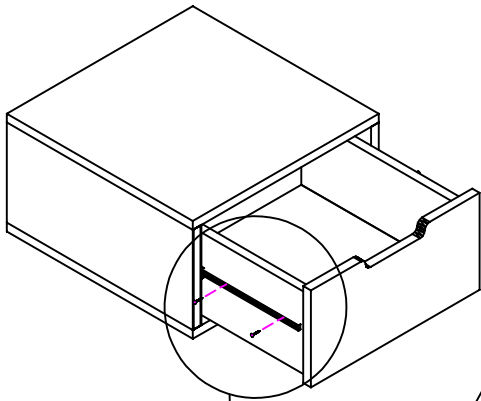
# VII



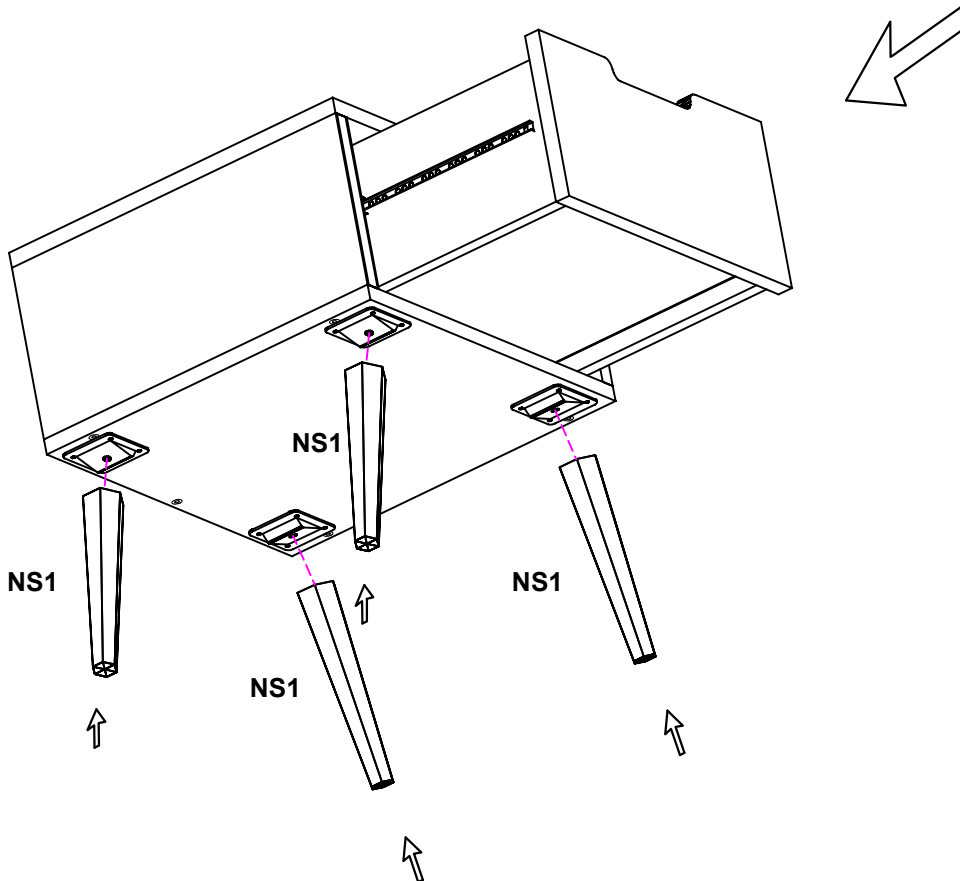
# VIII



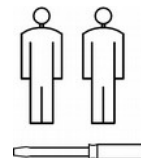
# IX

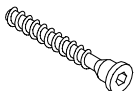
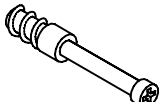

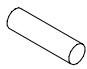
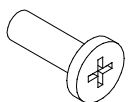
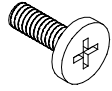
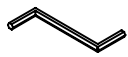
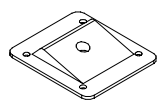
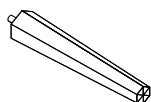
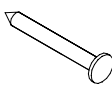
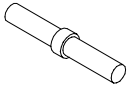
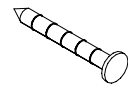
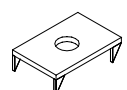
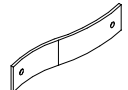

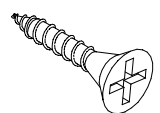
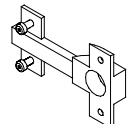
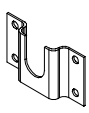
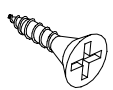

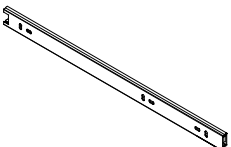


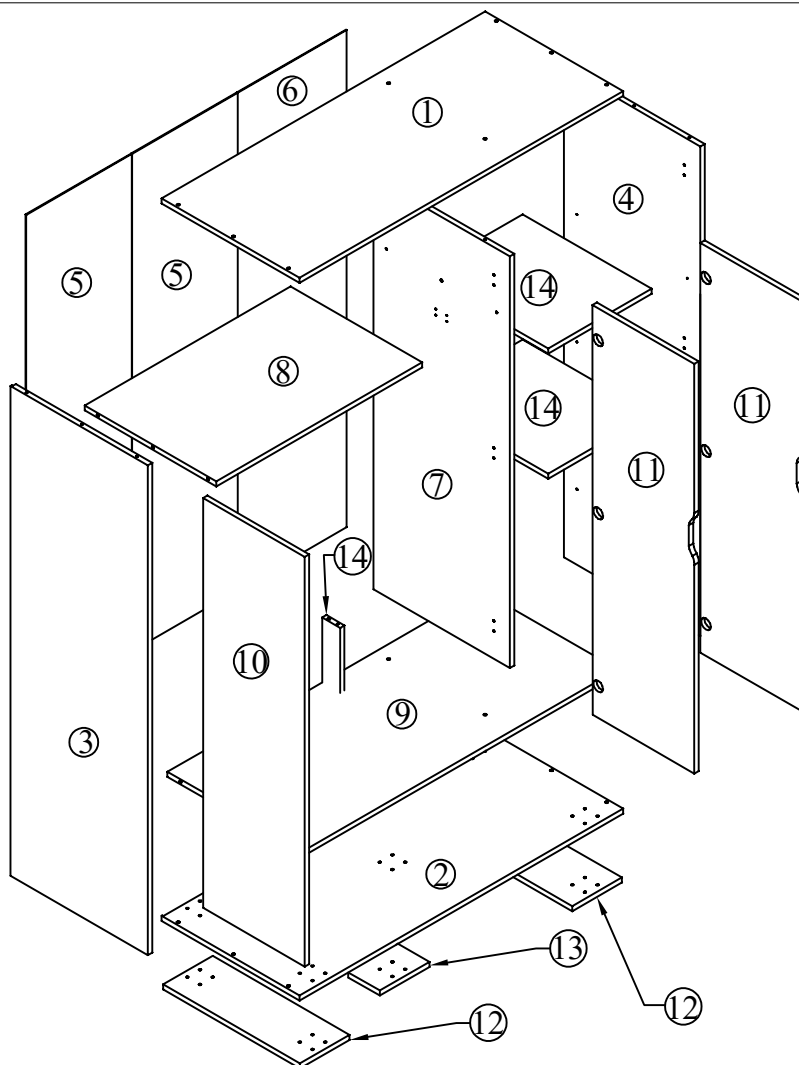
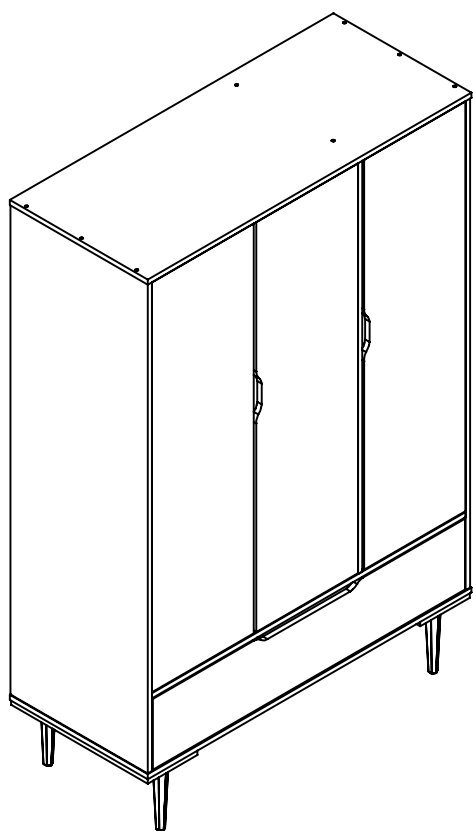
# X



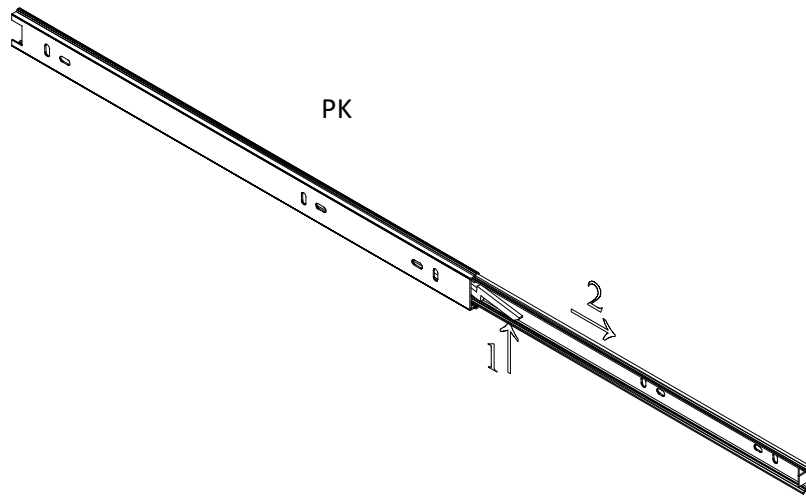
# SOFIE



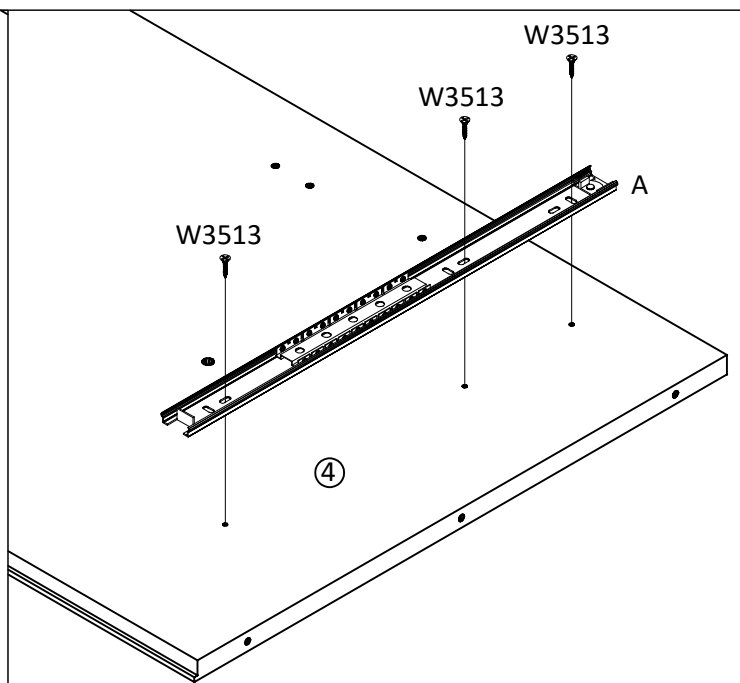
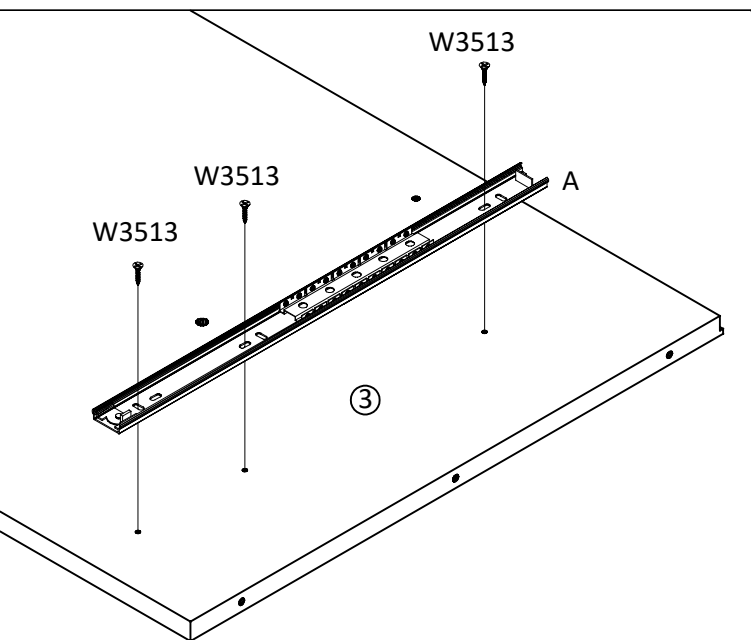
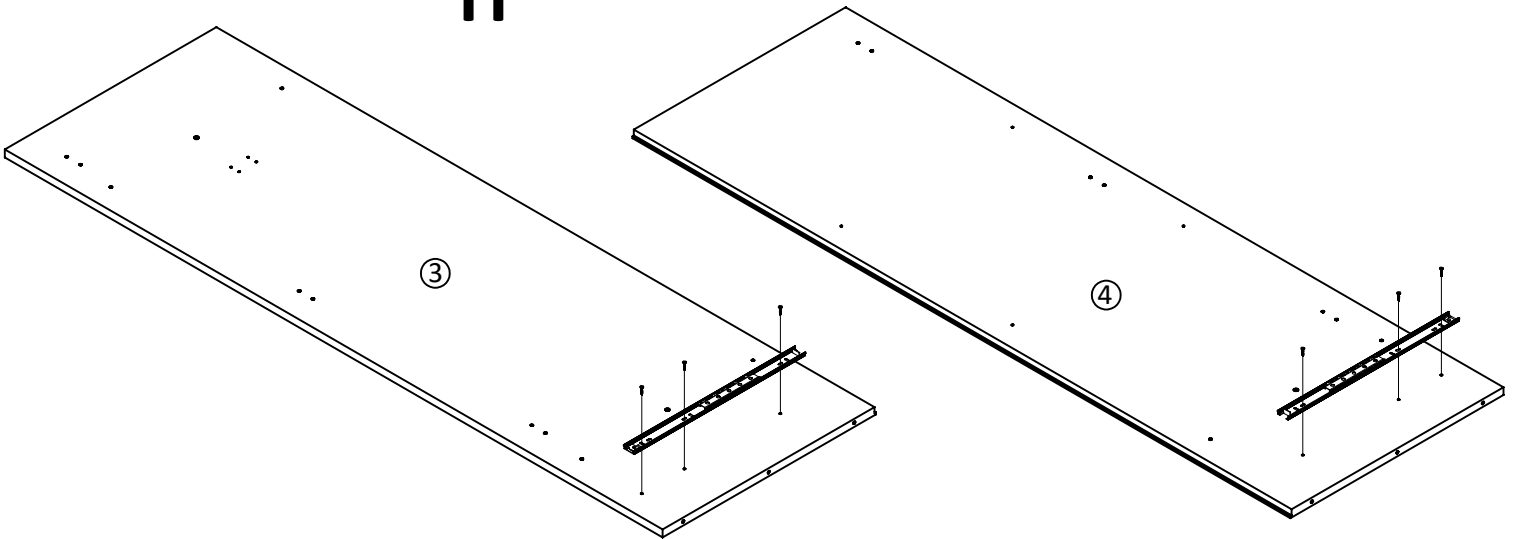
7x50  WK5 x22	 MT x12	 M x12	8x30  D8 x6	 Z431 x20	 S416 x20	 A01 x1
 N10 x5	 NS1 x5	 A02 x60	 A04 x8	2.5x25  A09/1 x4	 A09 x4	 A06 x2
 A05 x2	3.5x16  W3516 x20	 ZL x9	 D0 x4	3.5x13  W3513 x20	 D5 x1	
			 PK x2			



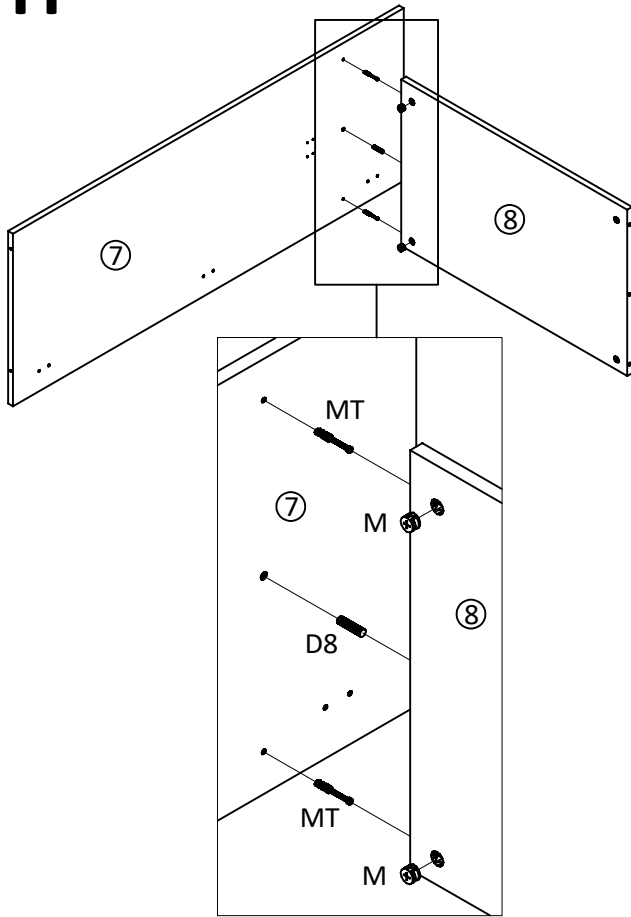
I



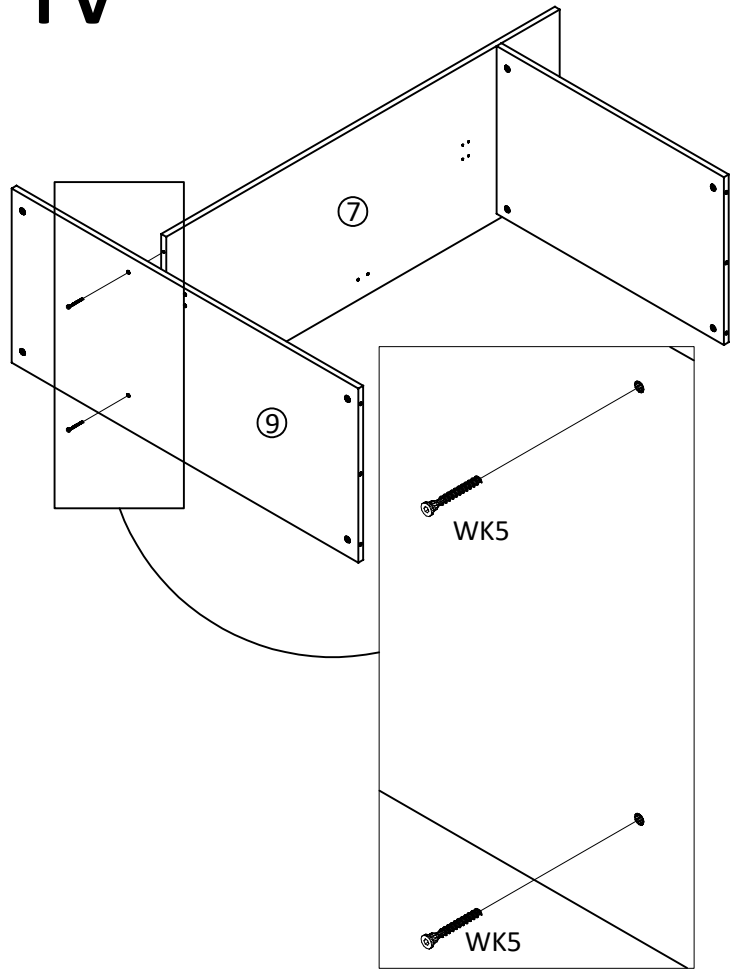
II



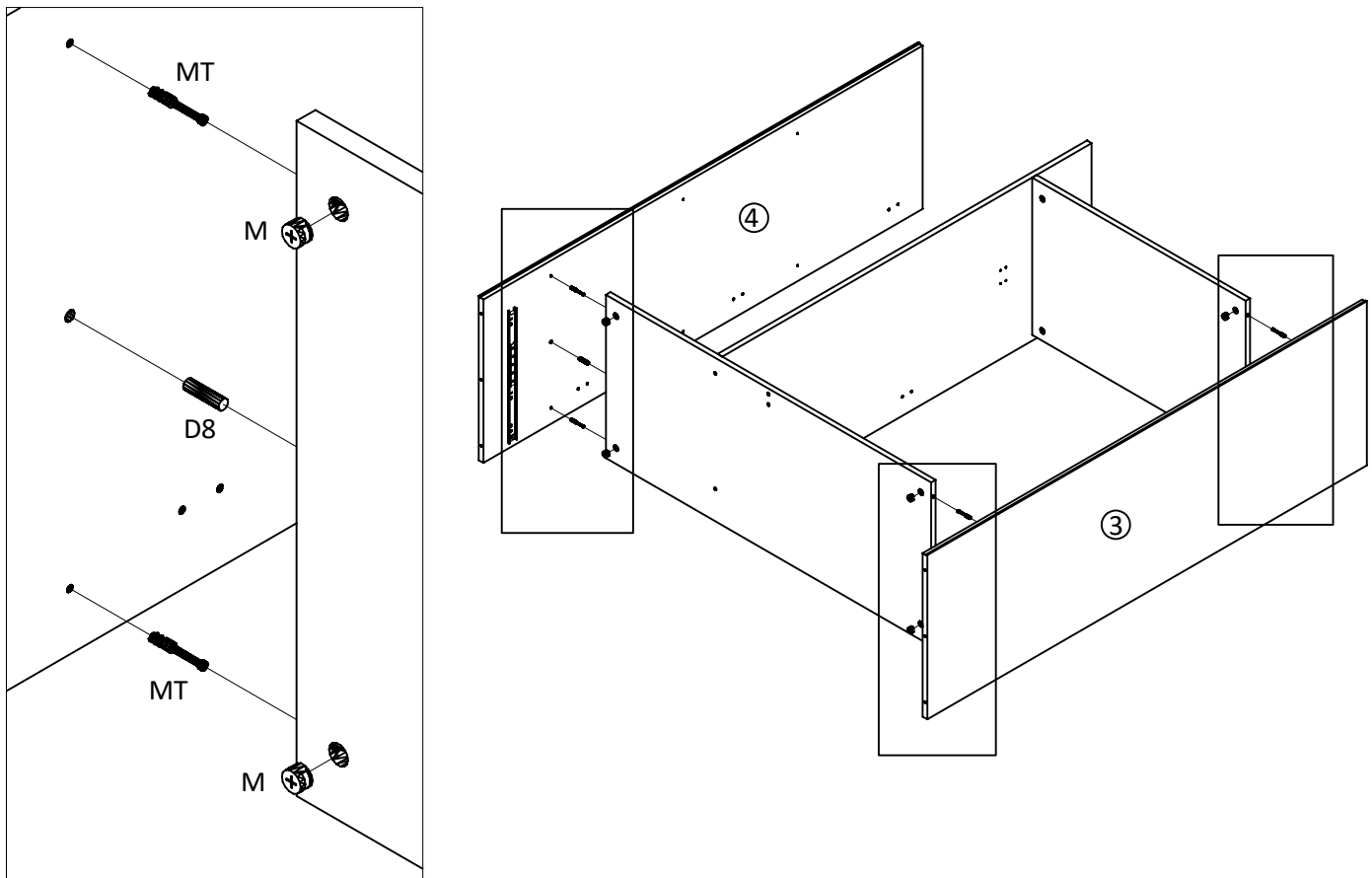
# III



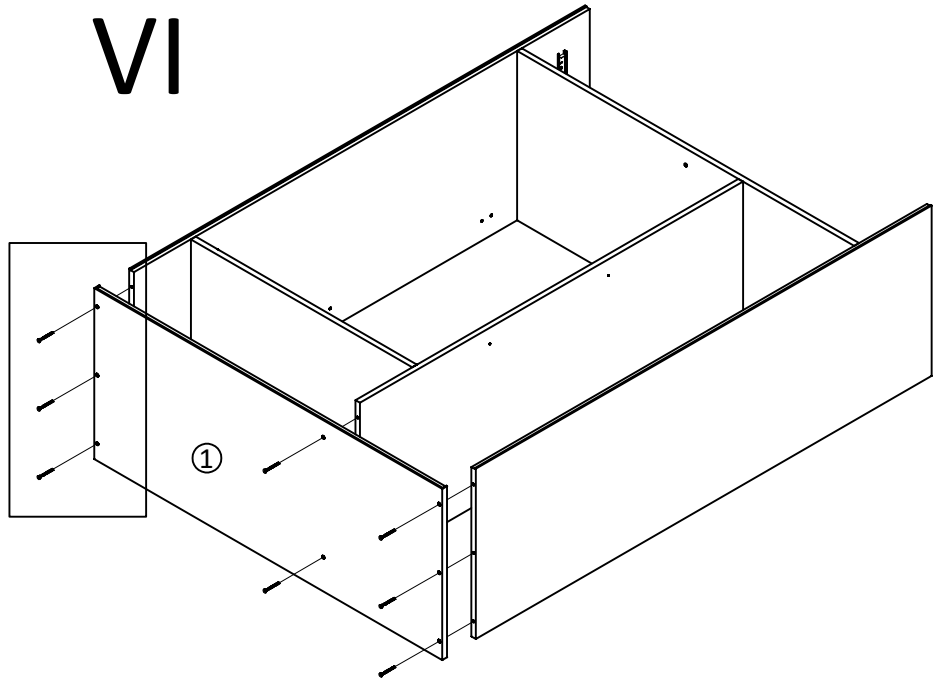
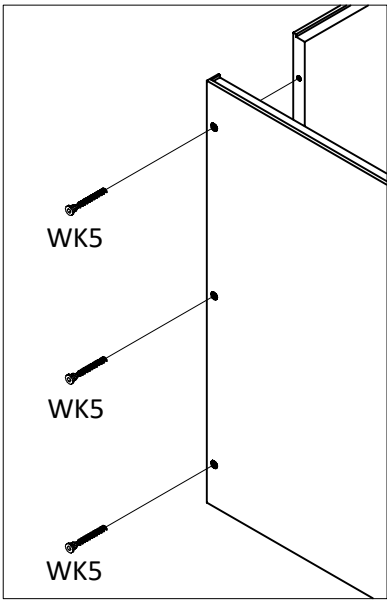
# IV



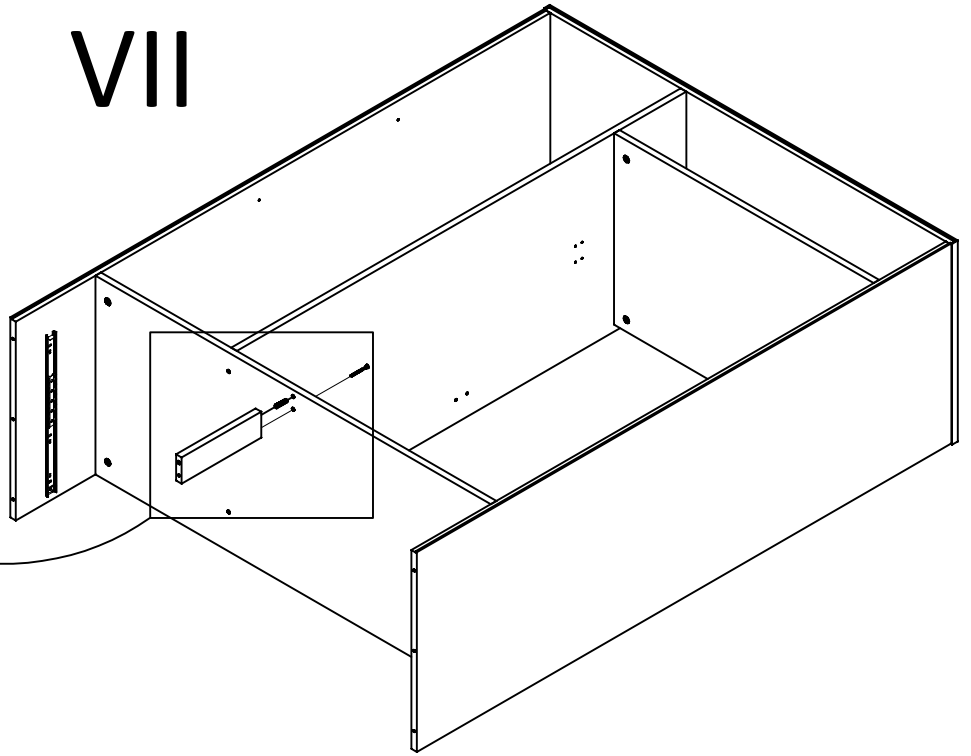
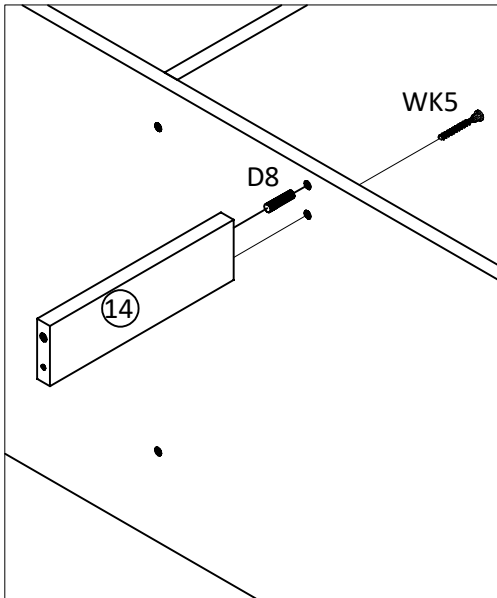
# V



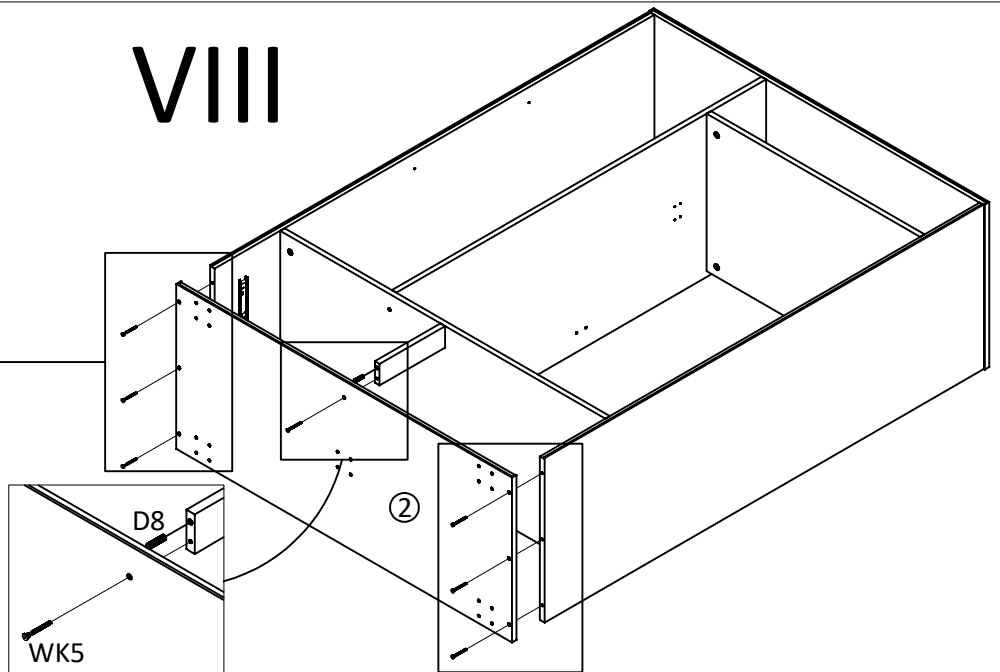
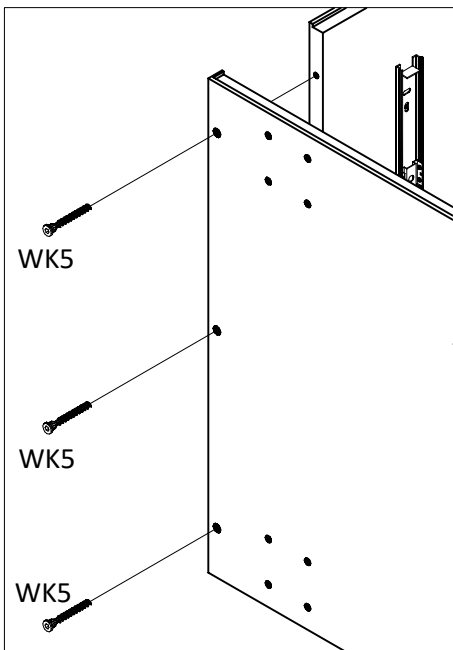
# VI



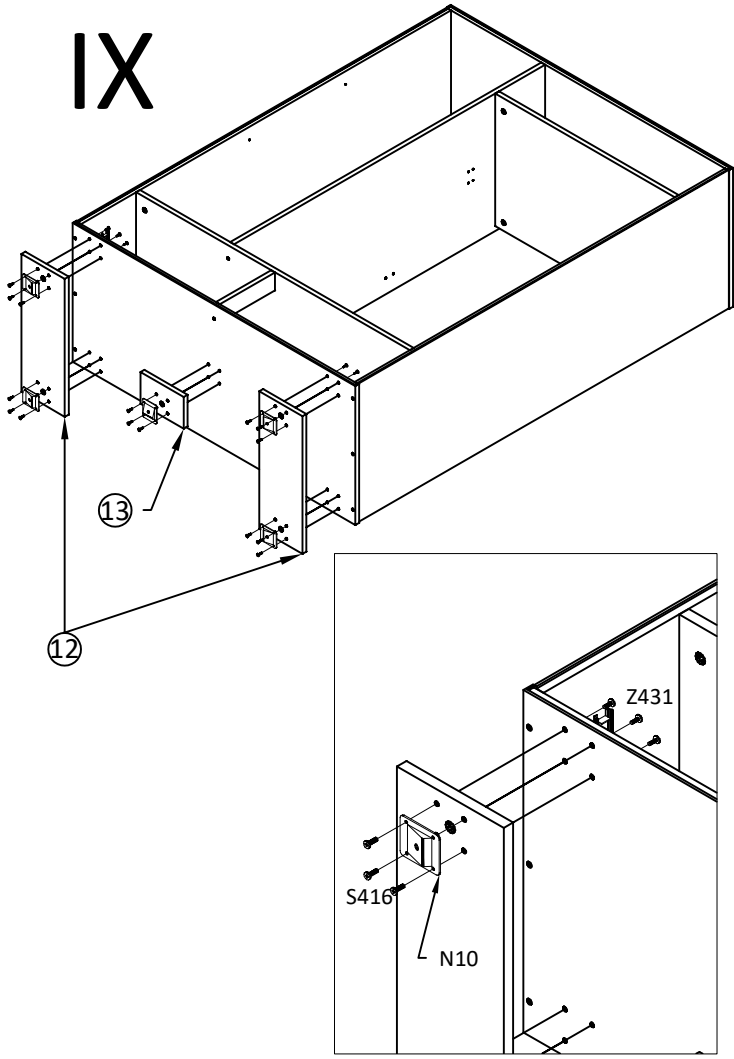
# VII



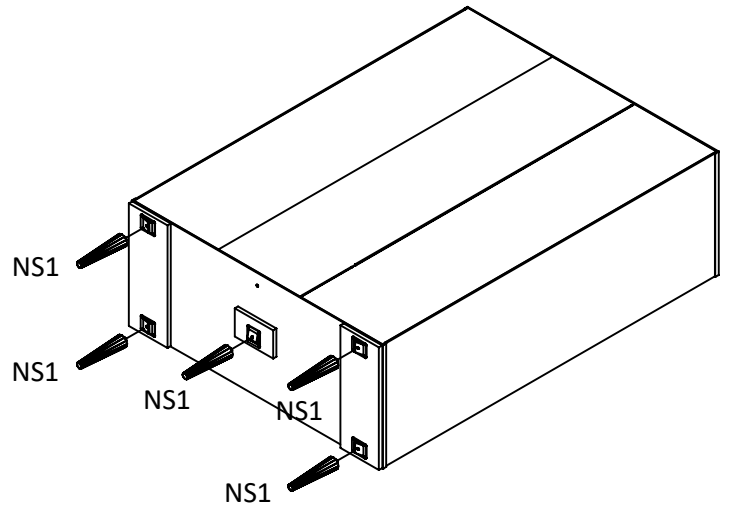
# VIII



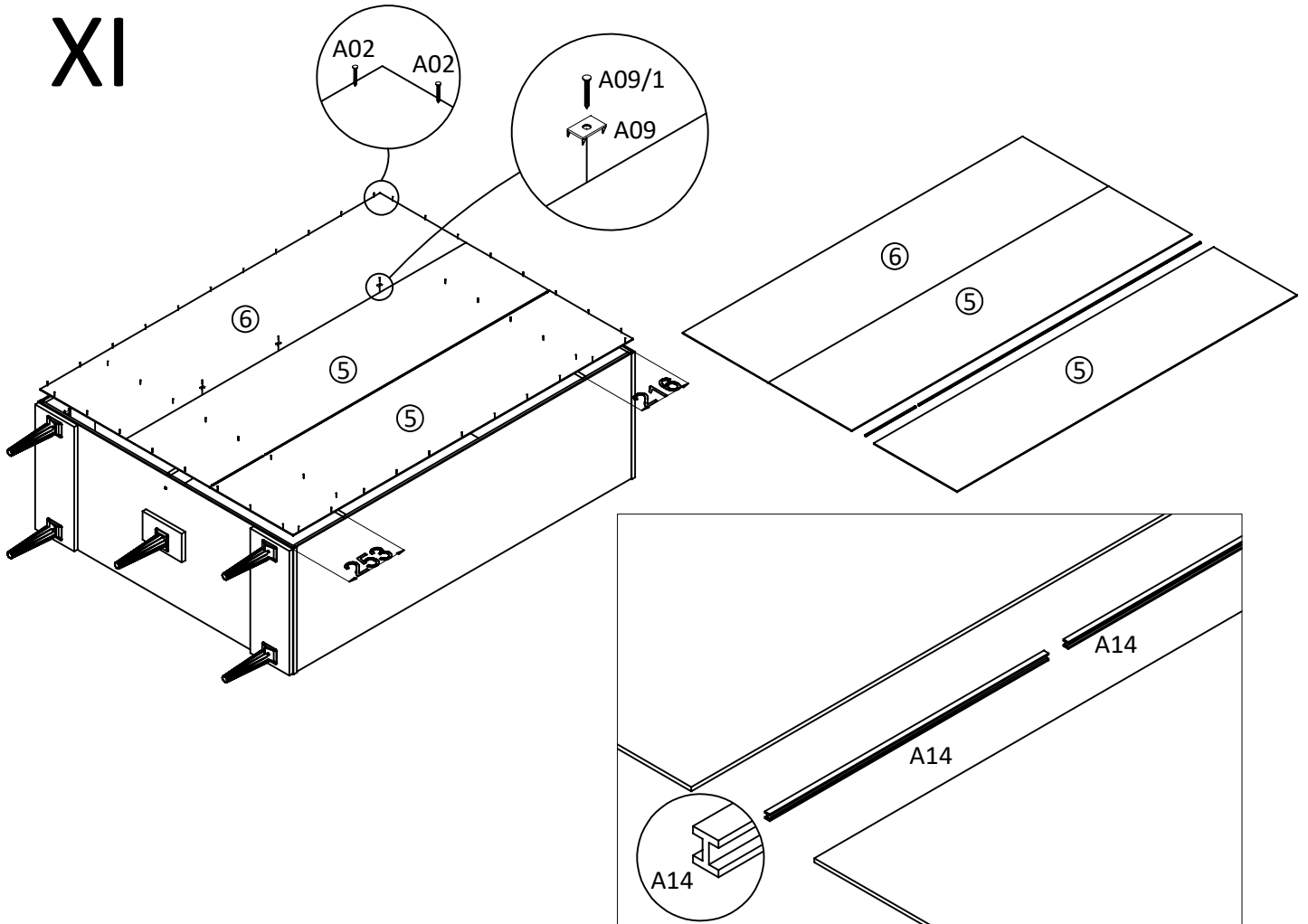
# IX



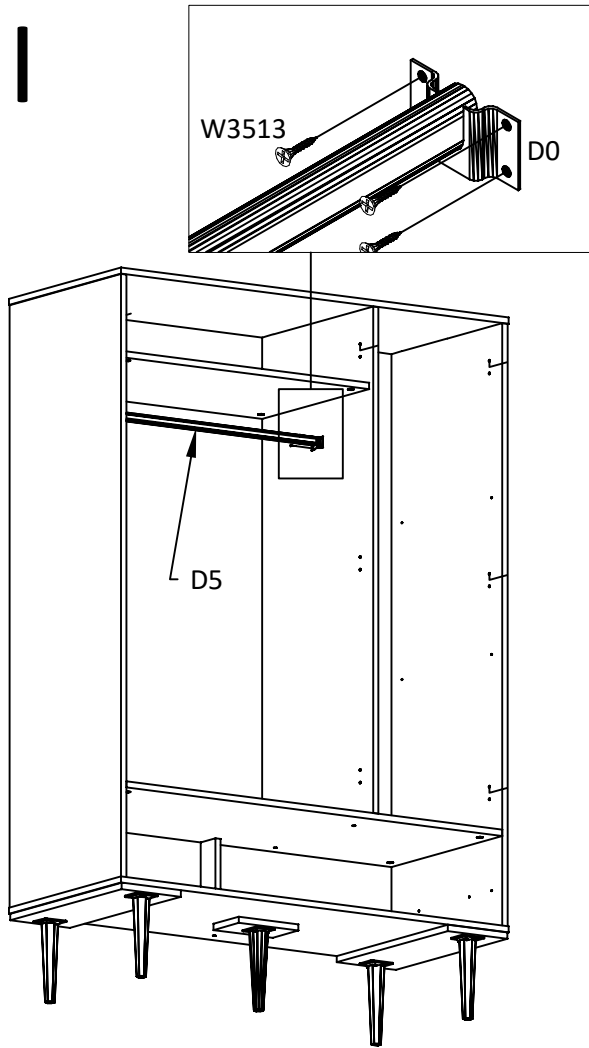
# X



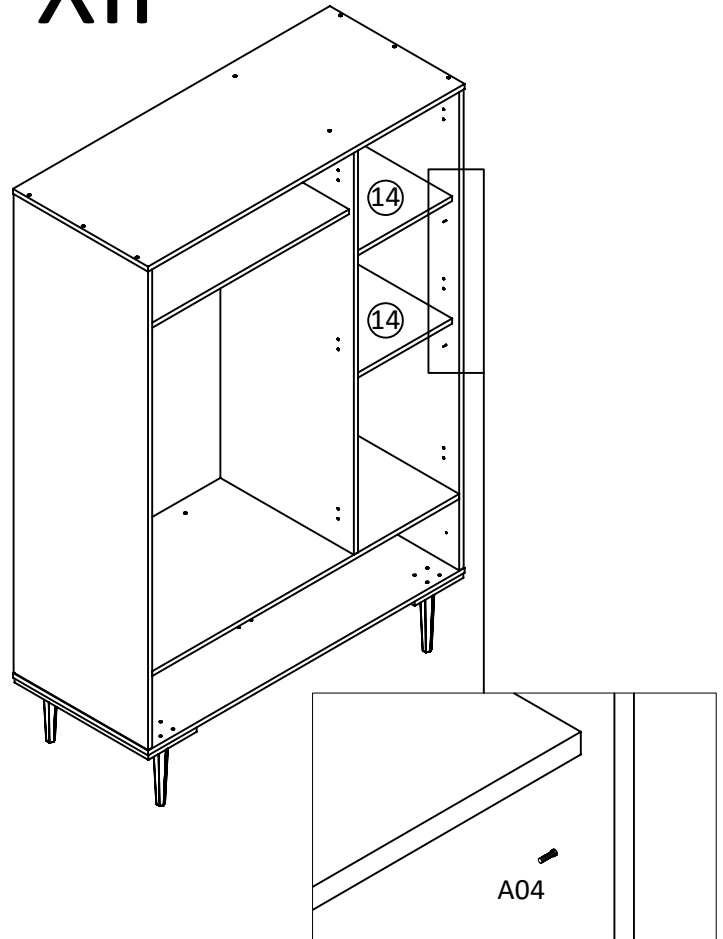
# XI



# XII



# XII



# XIV

