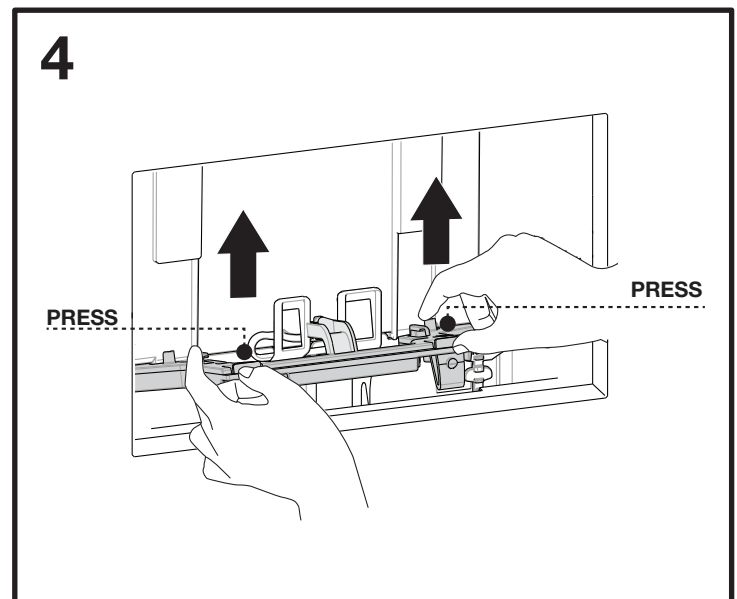
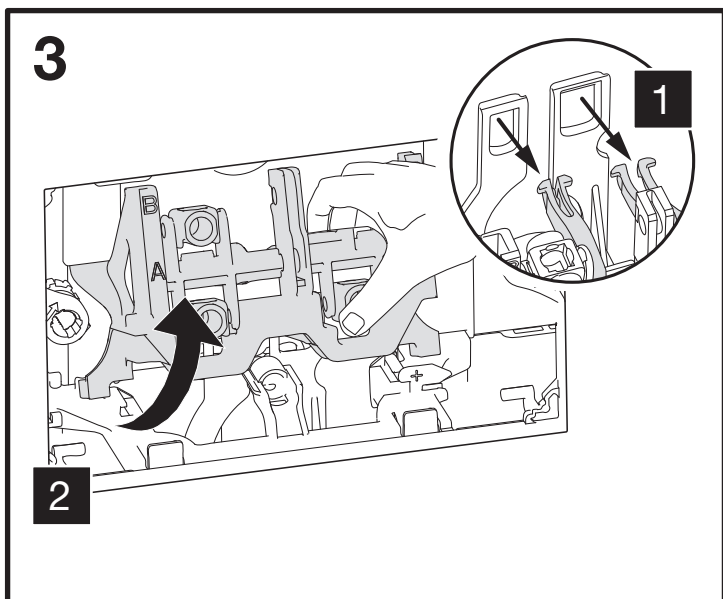
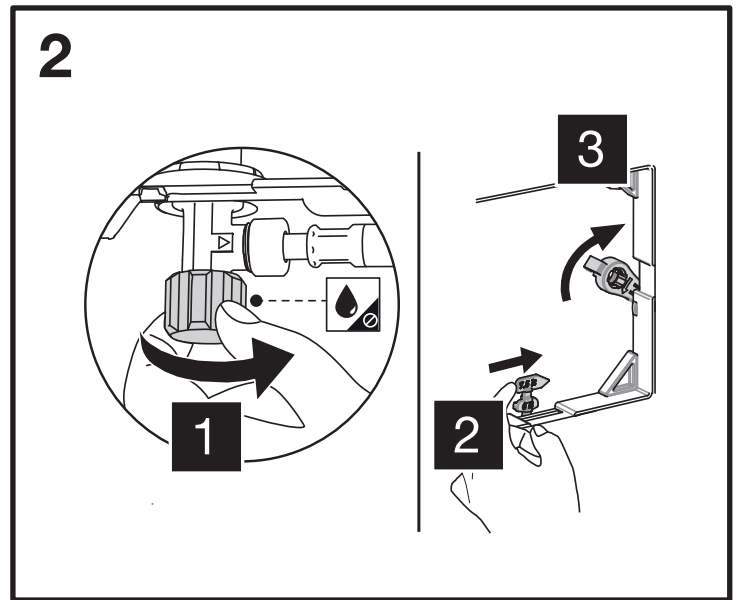
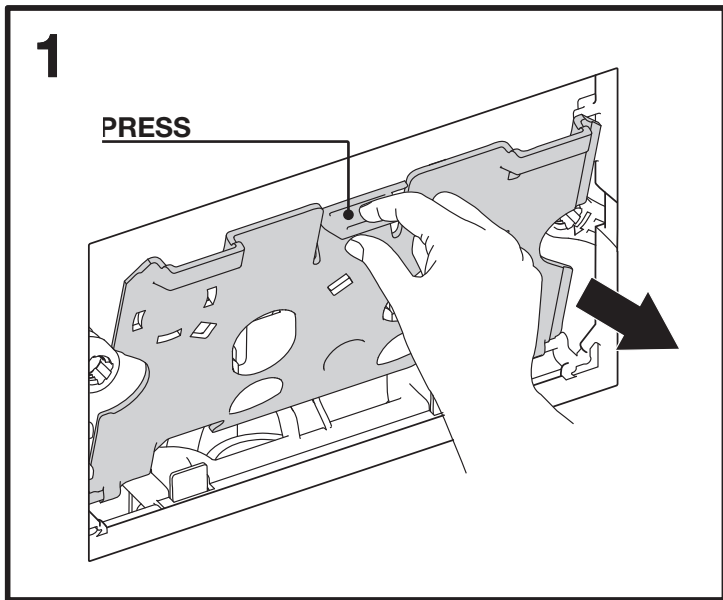
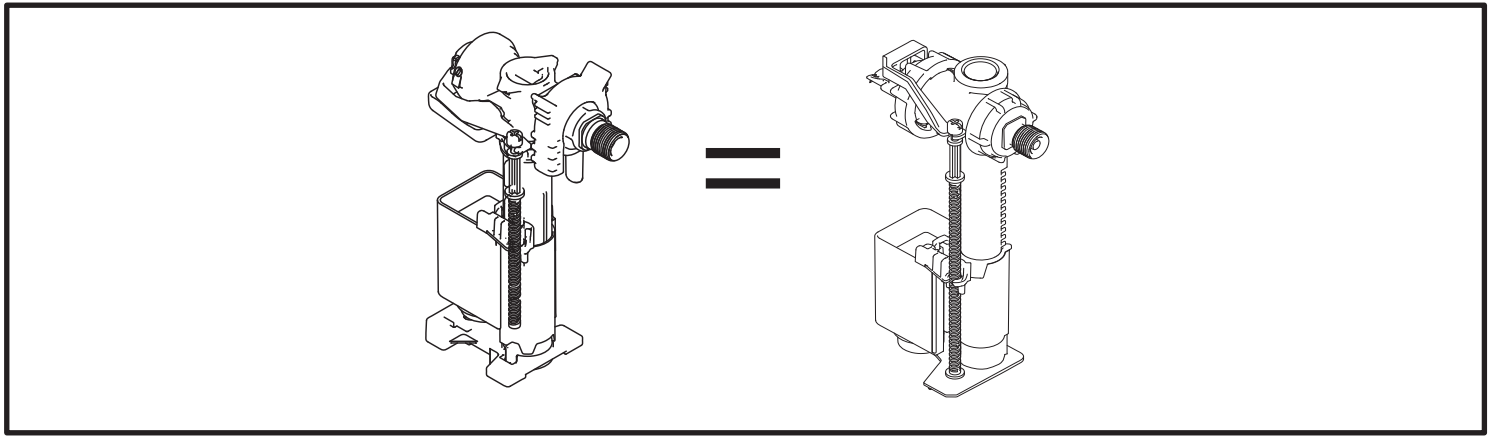
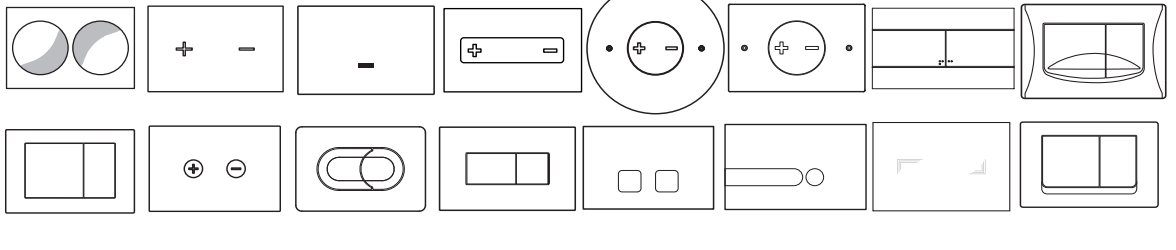
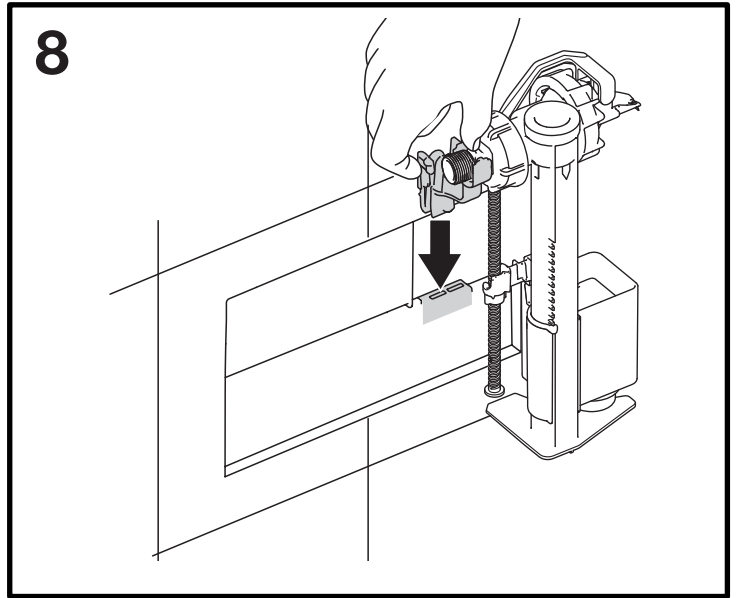
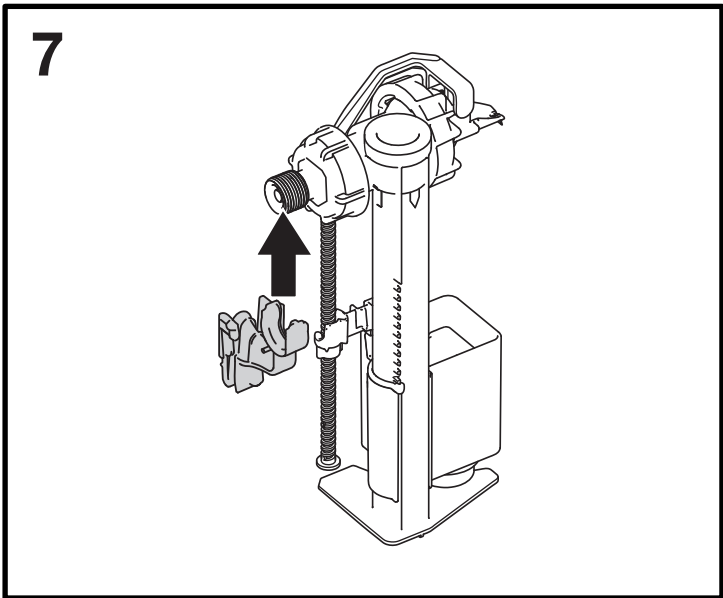
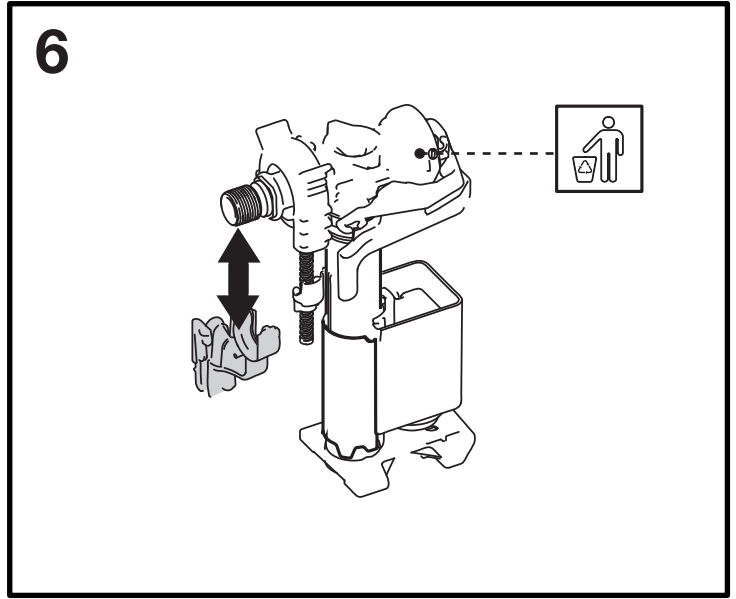
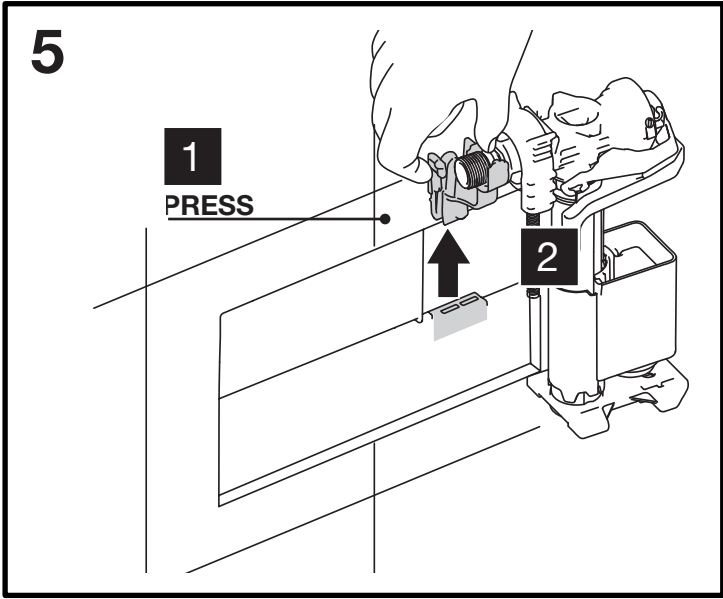


(dimensions in millimeters)

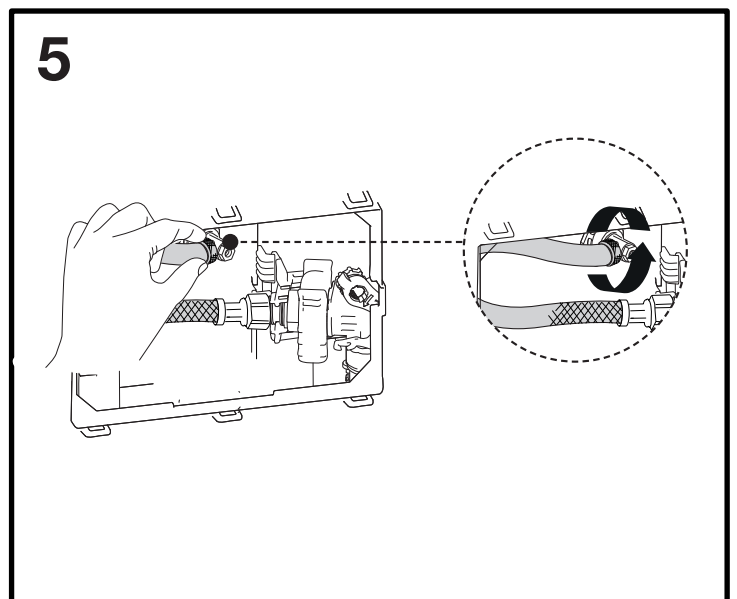
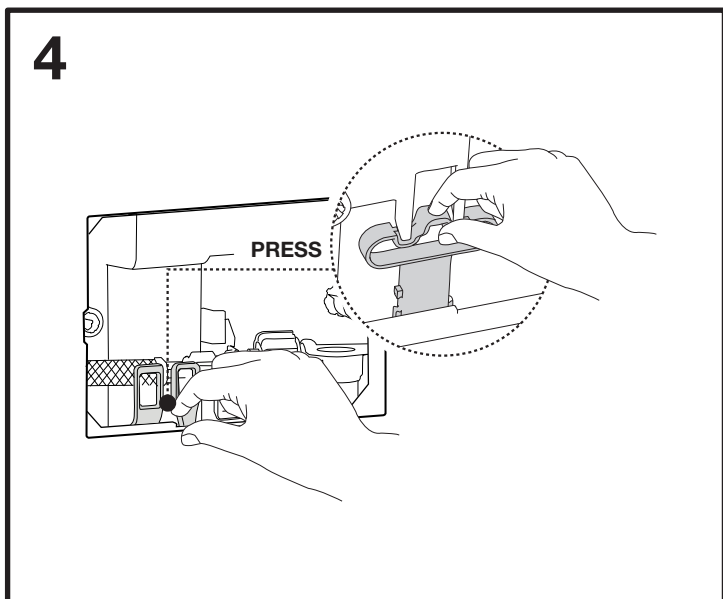
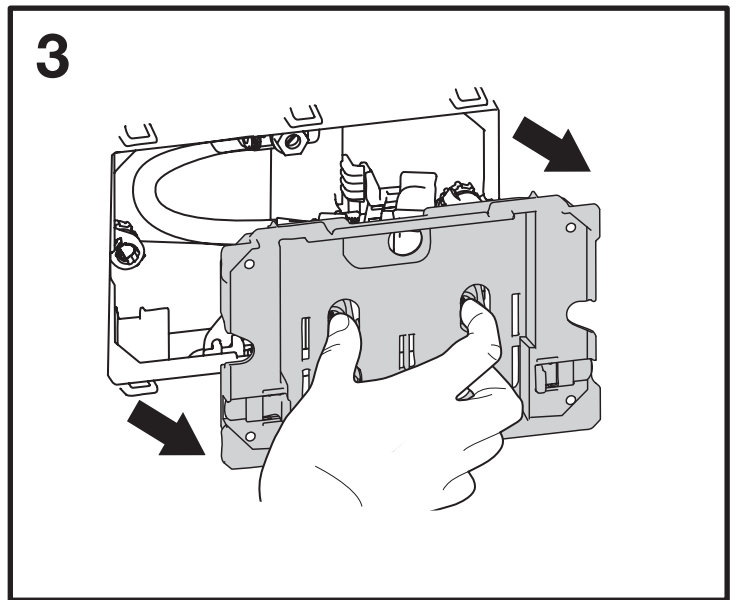
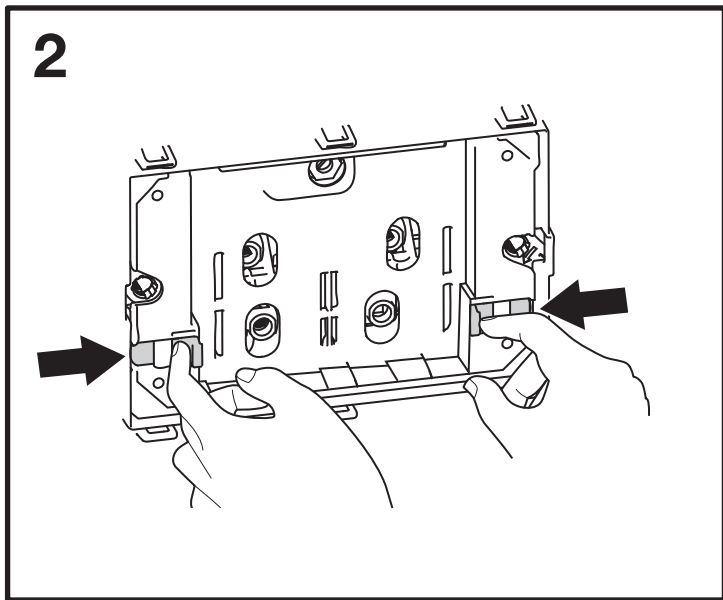
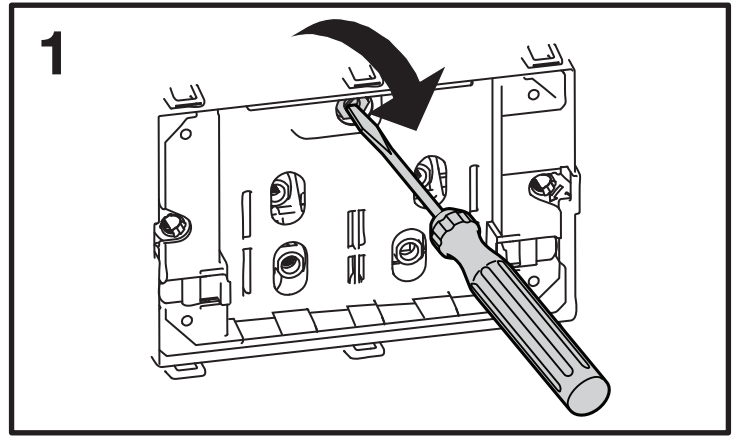
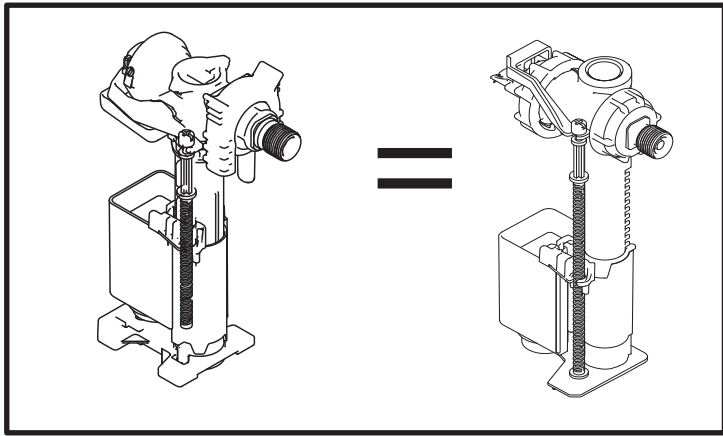
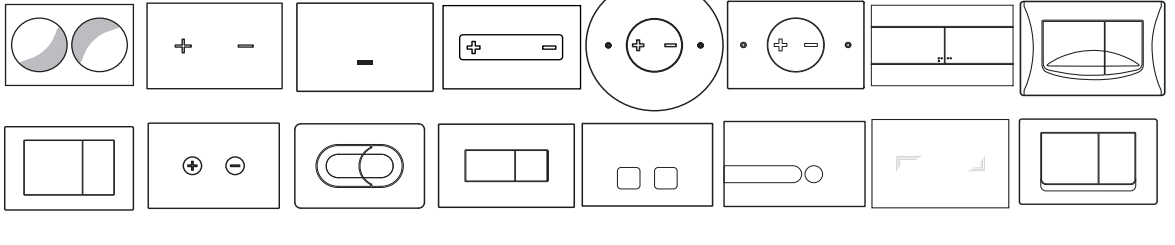
i OLI: OLI74

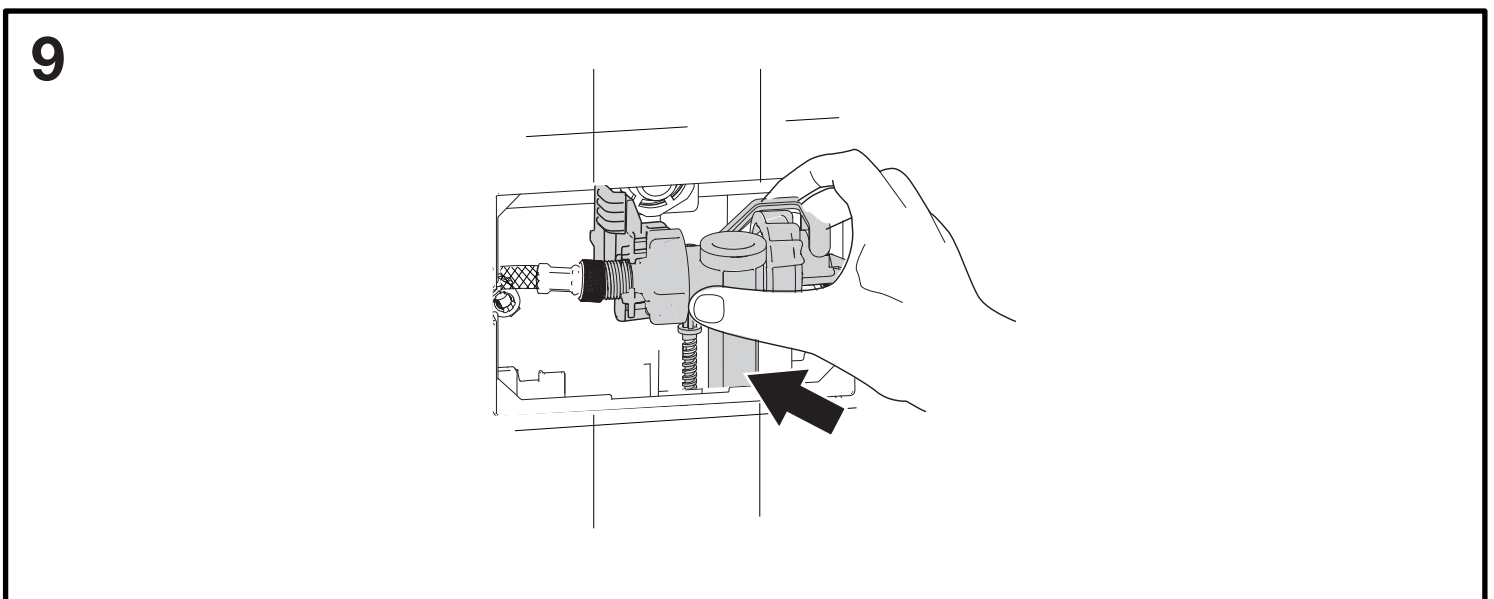
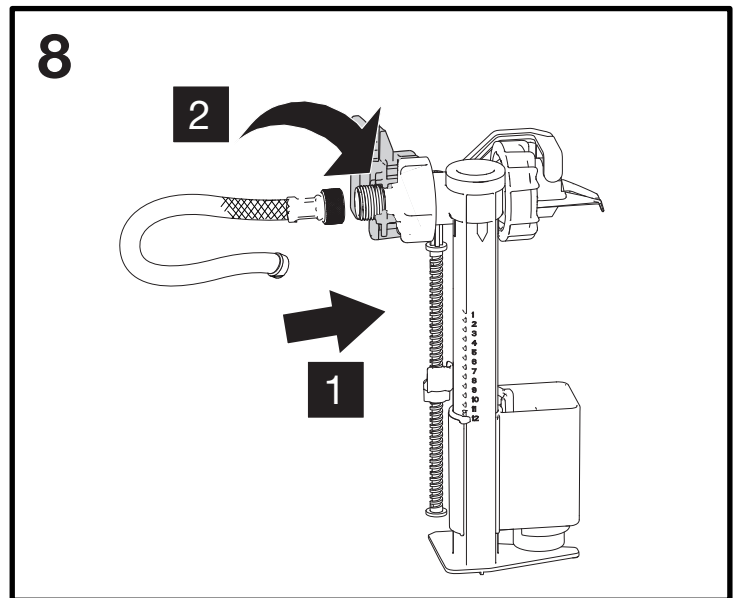
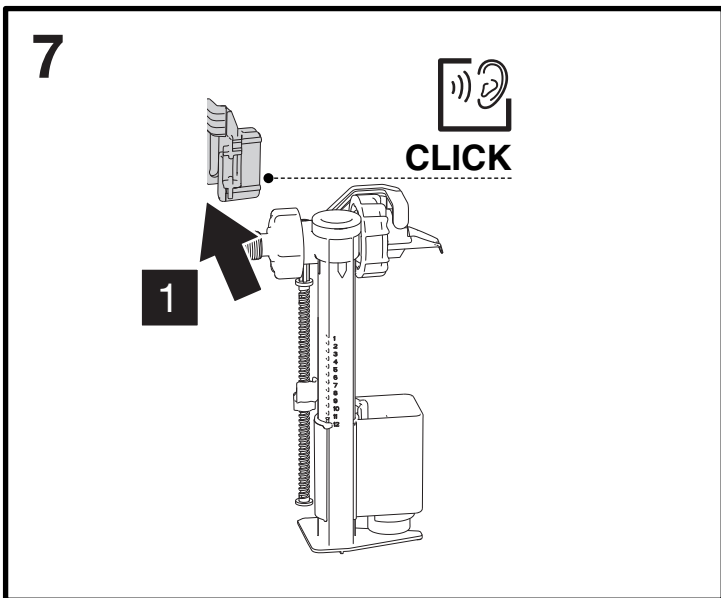
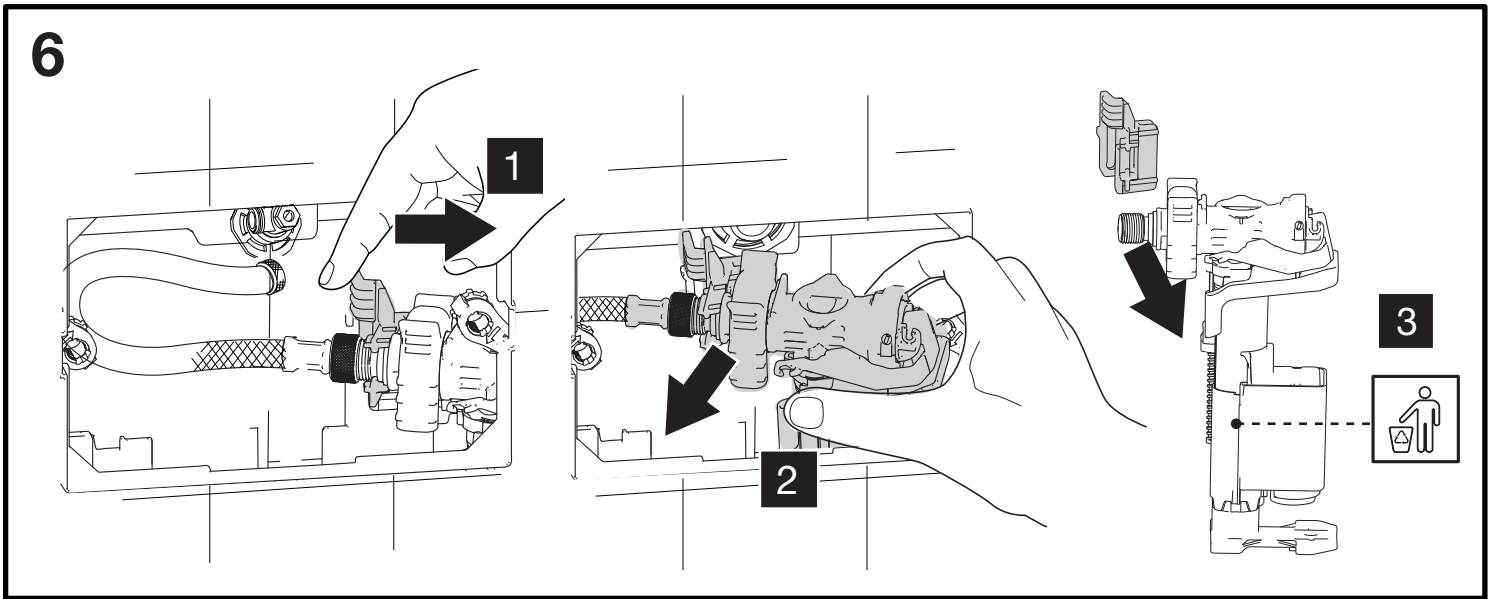






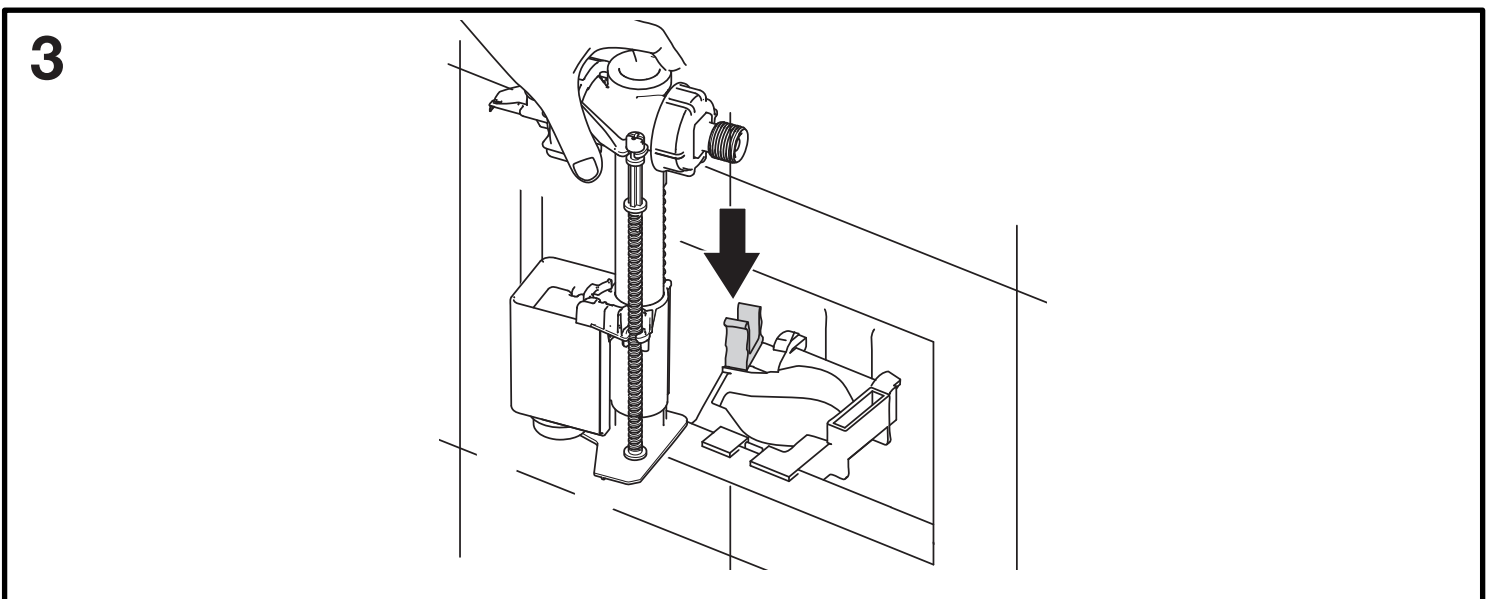
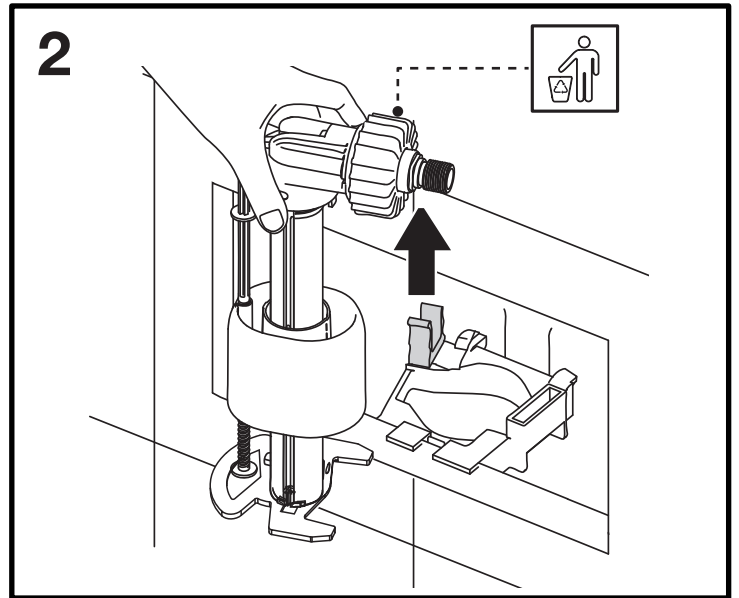
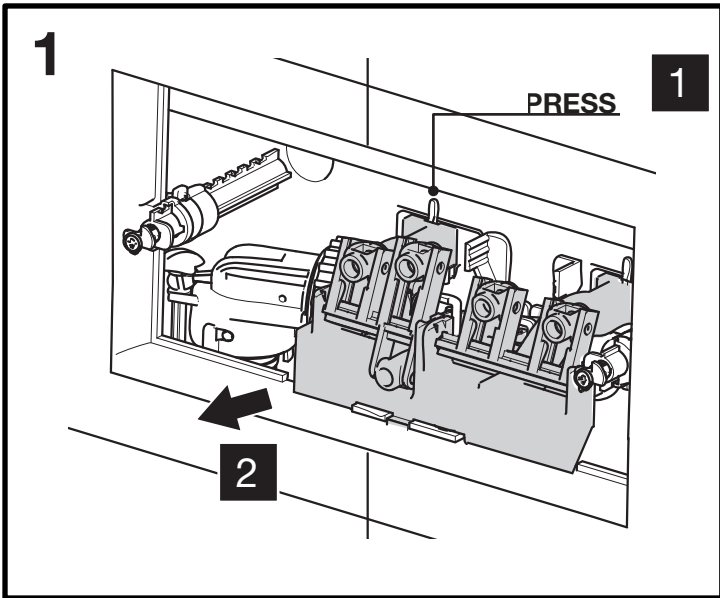
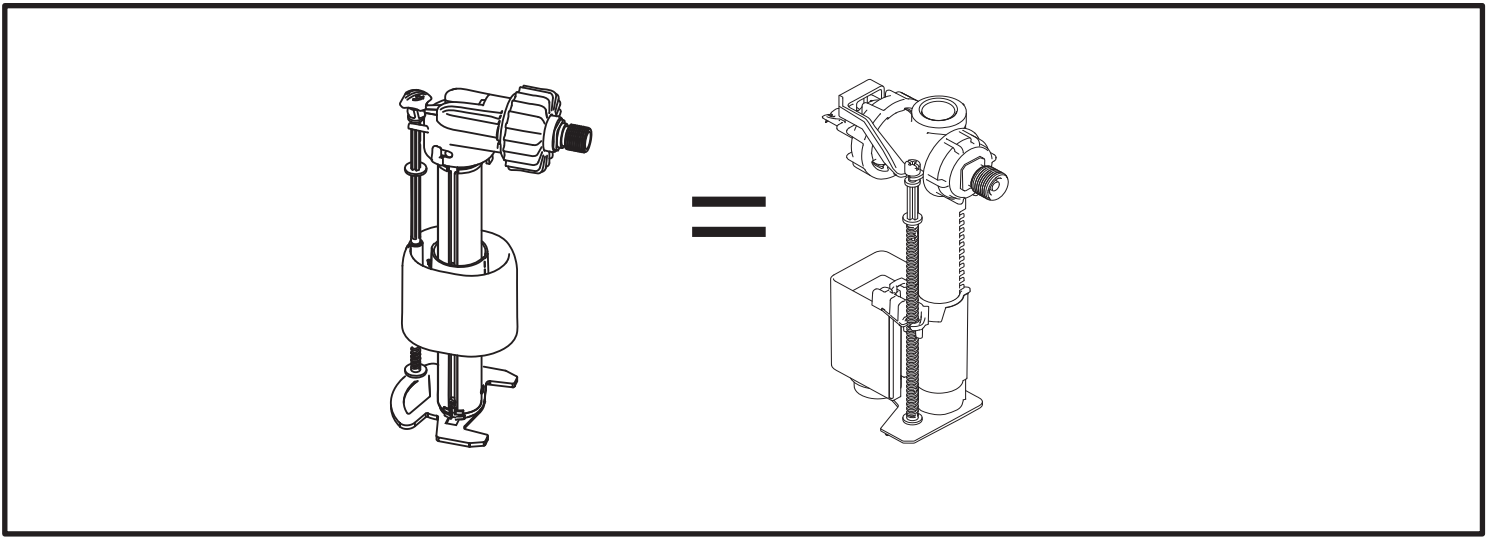
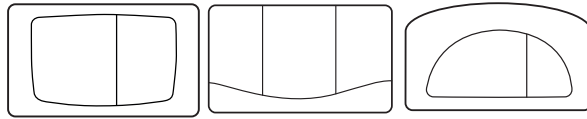
OLI: OLI120

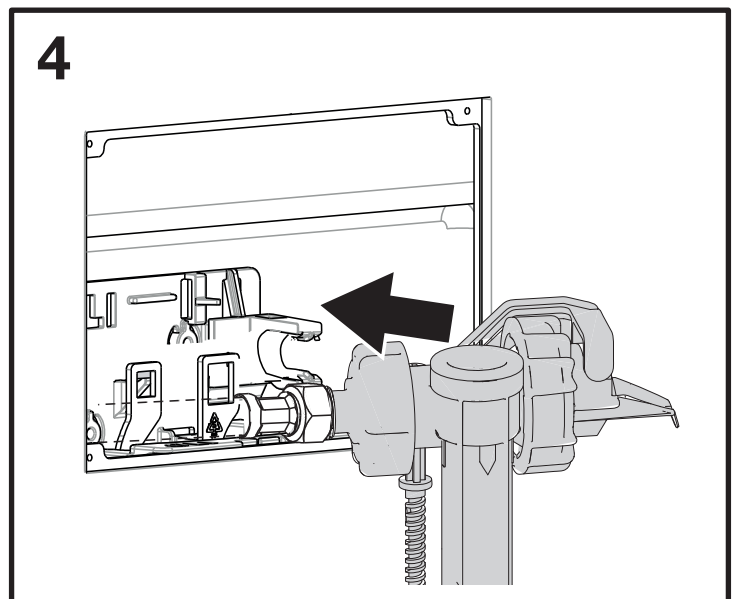
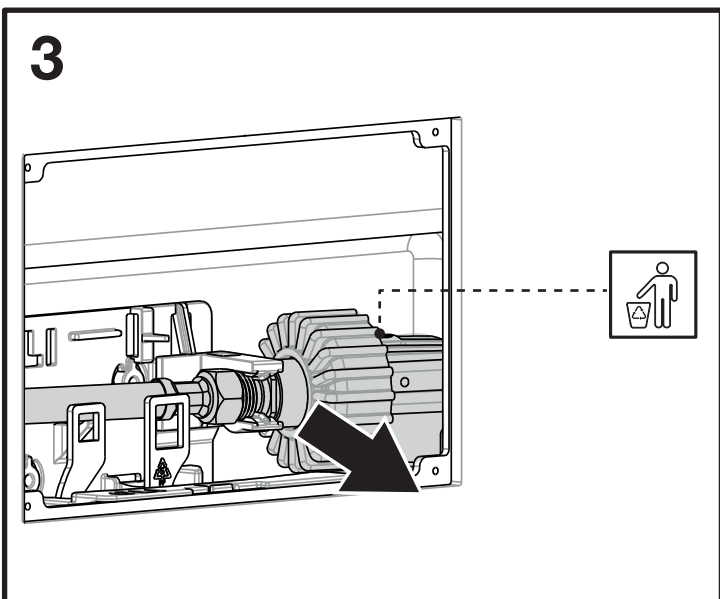
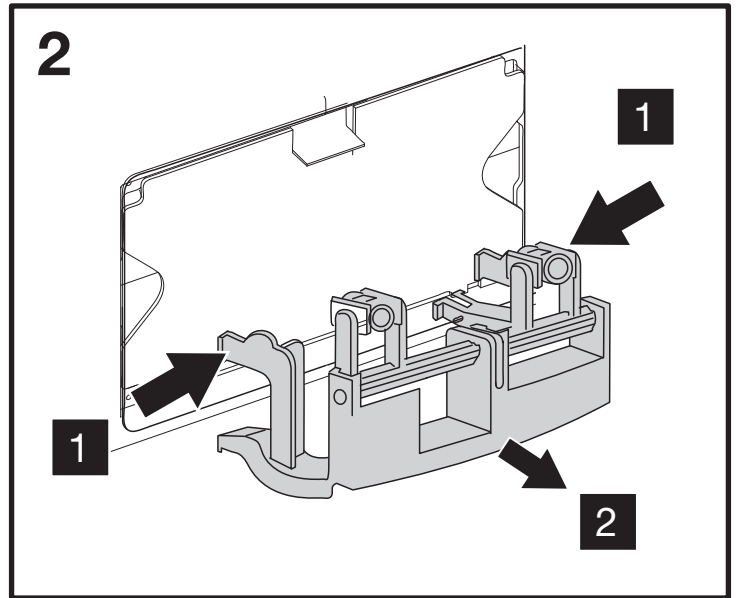
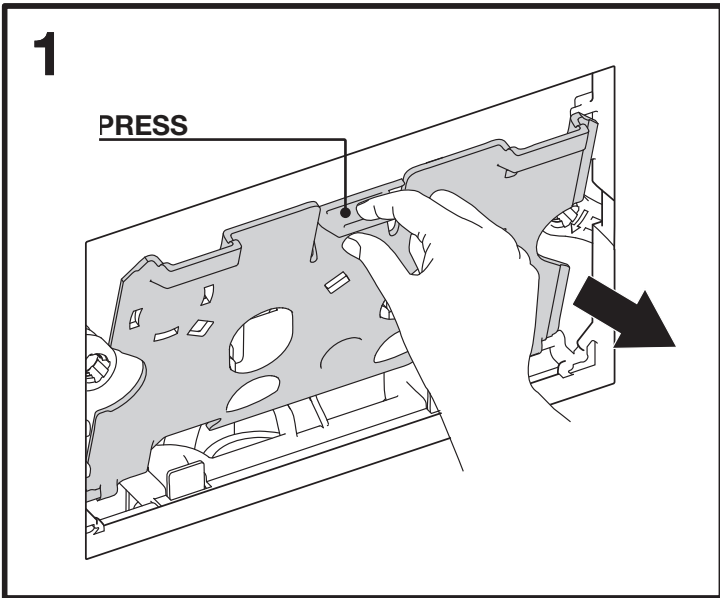
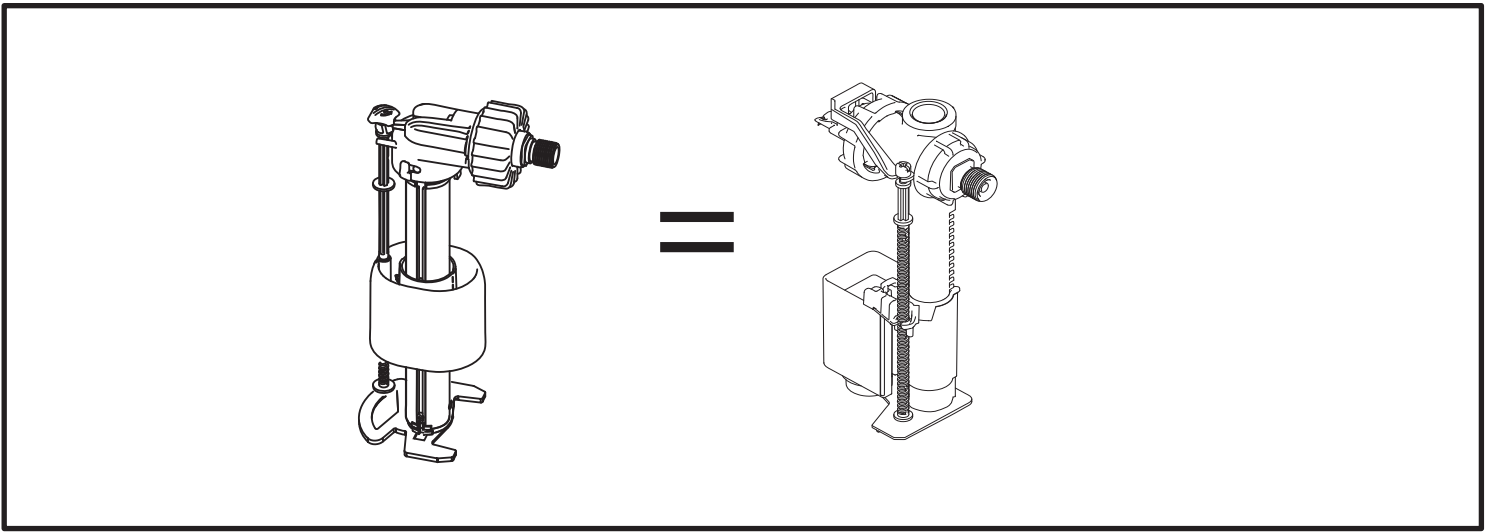
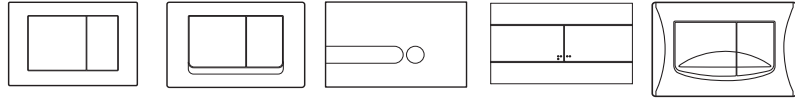




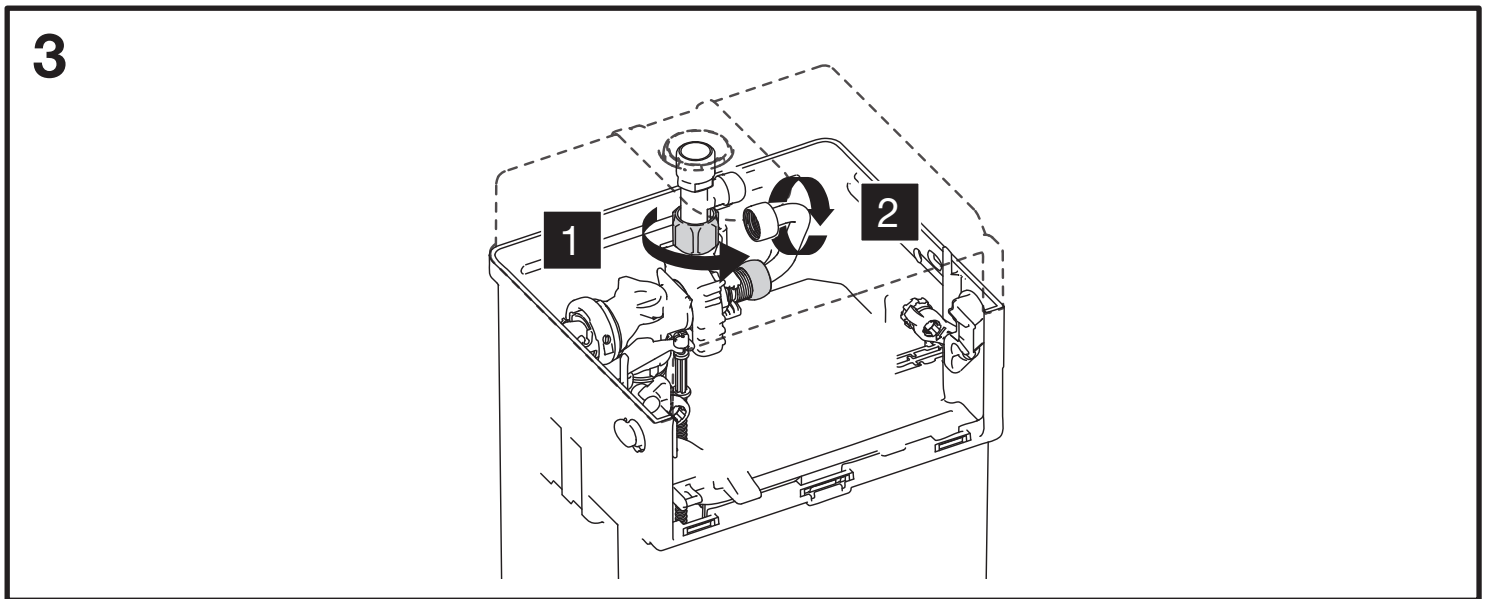
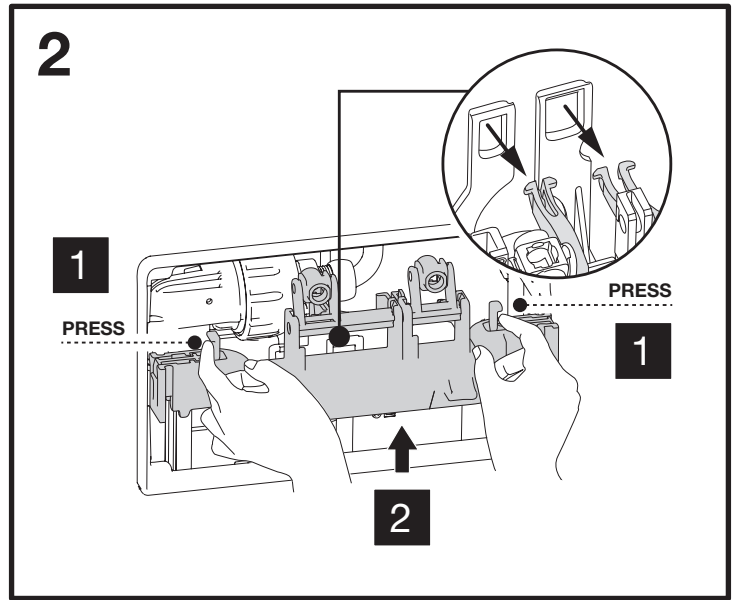
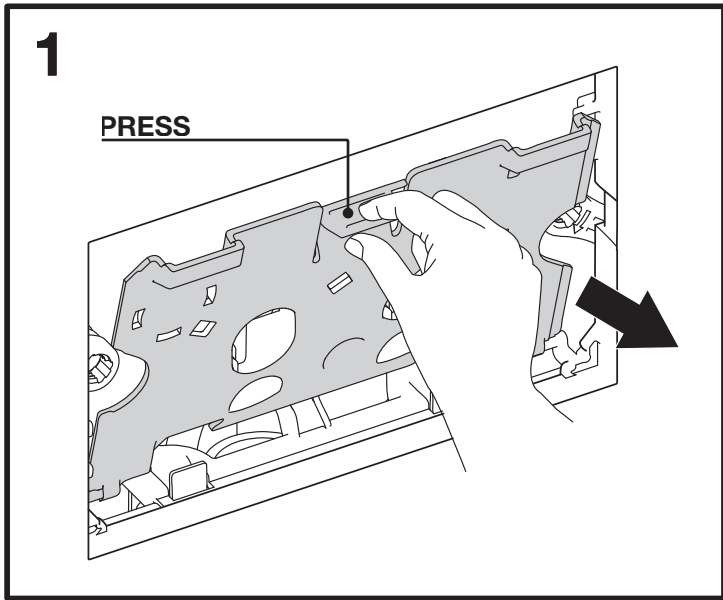
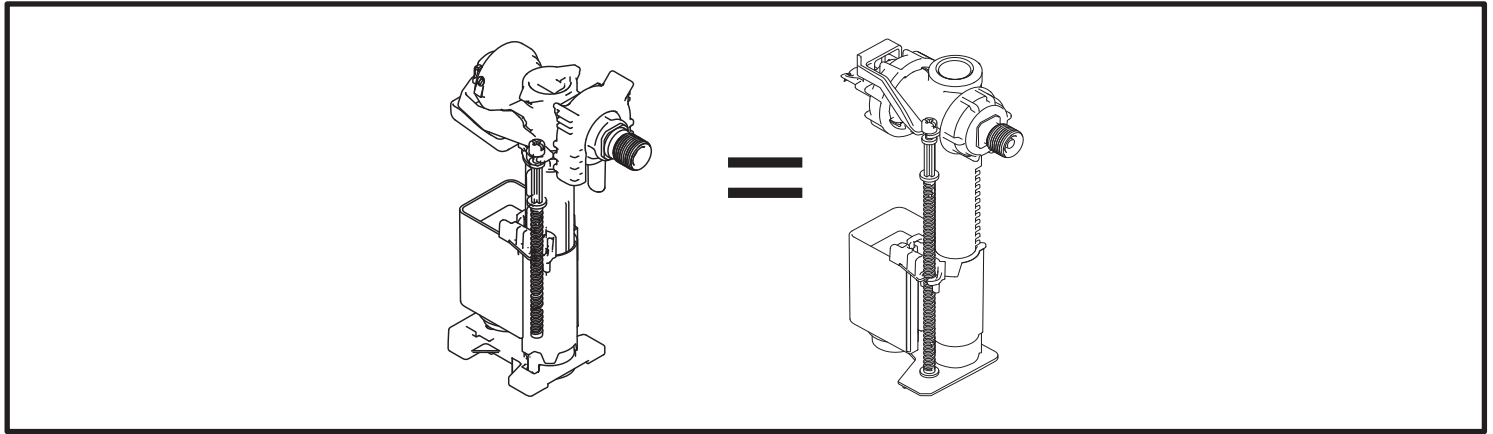
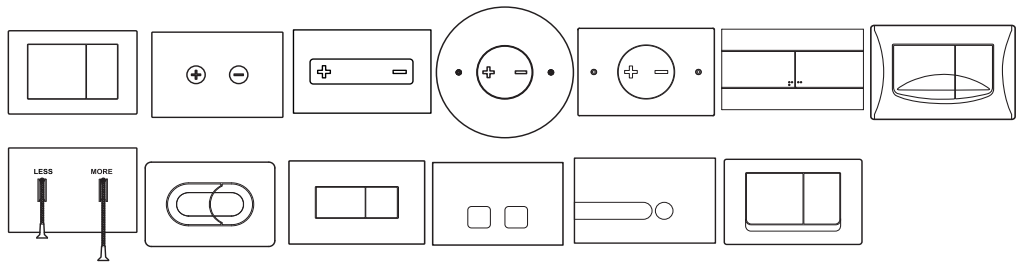


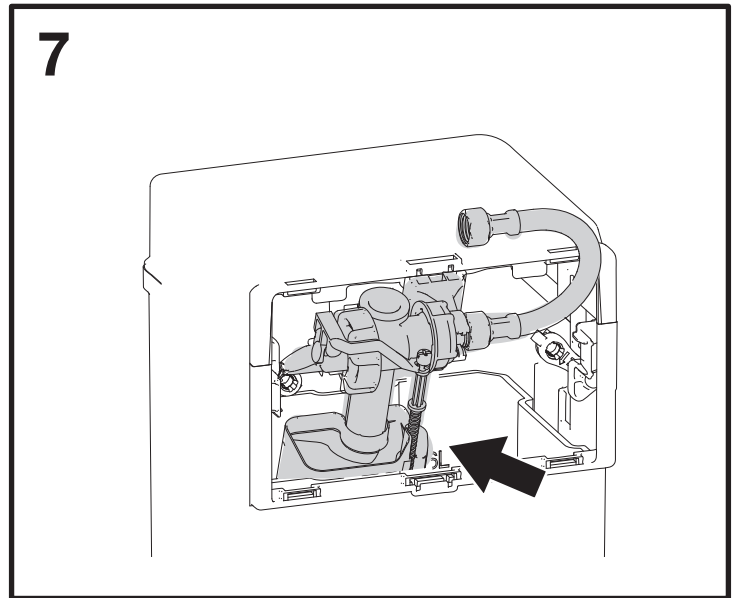
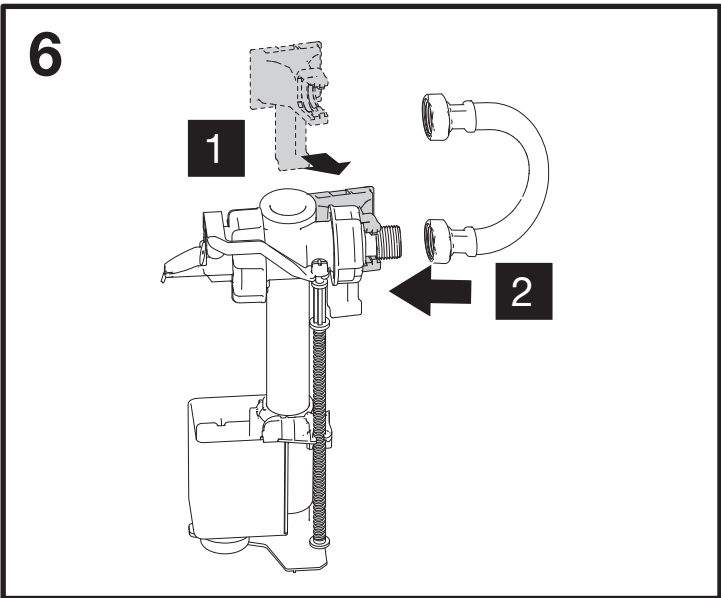
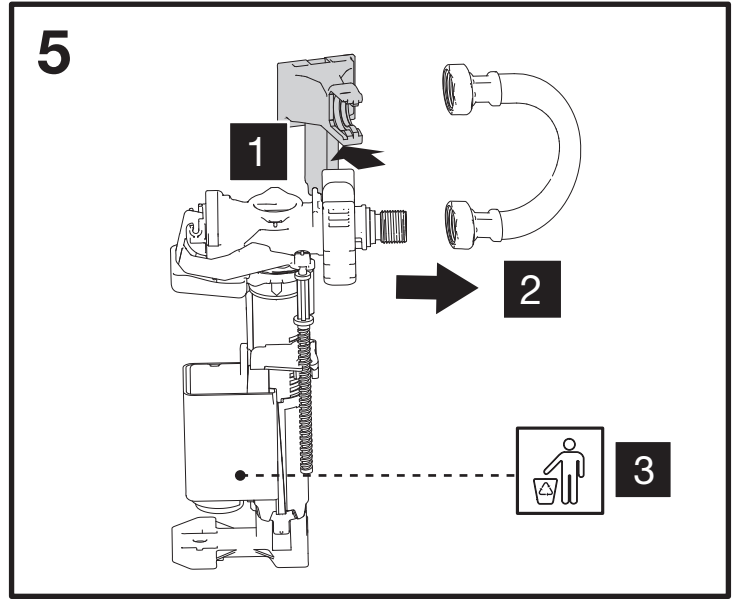
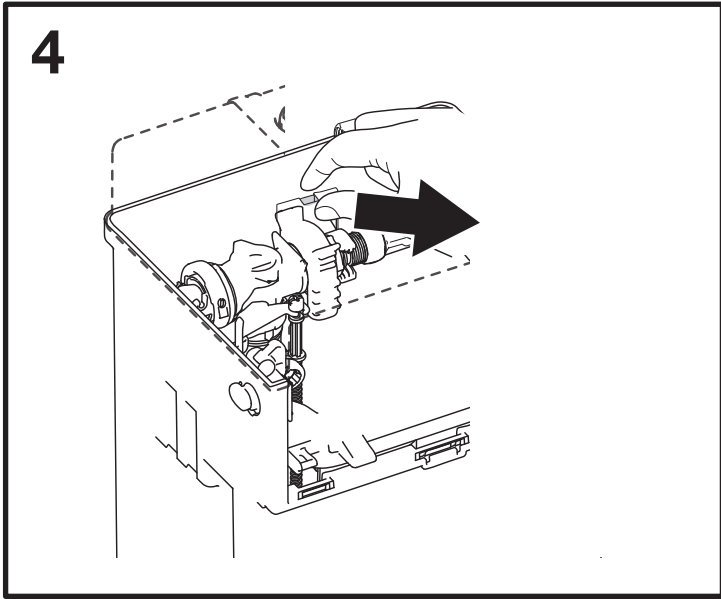
OLI: GIADA (1998-2010)

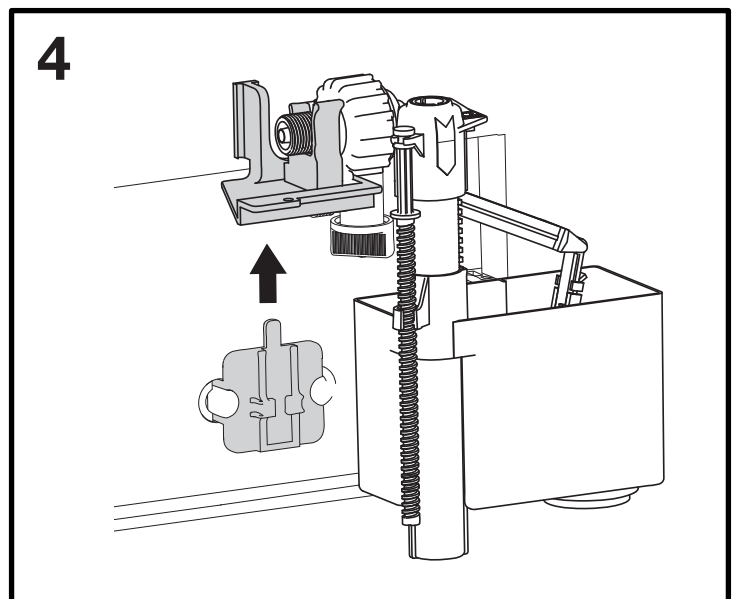
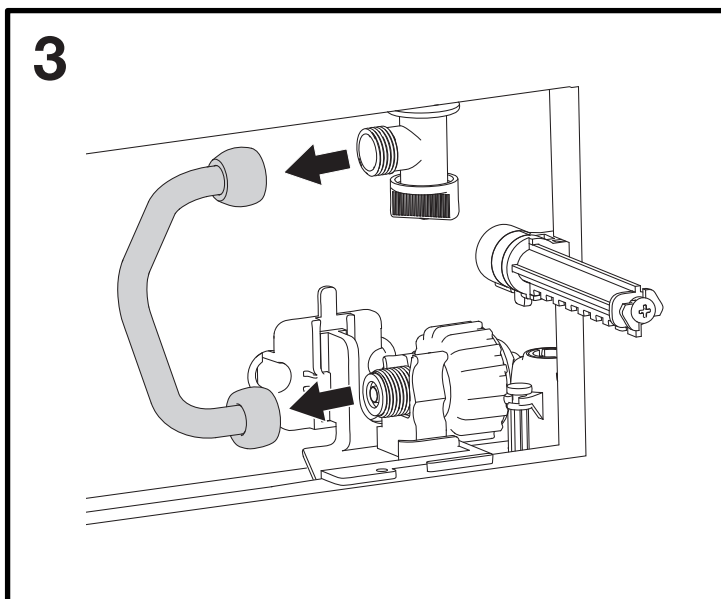
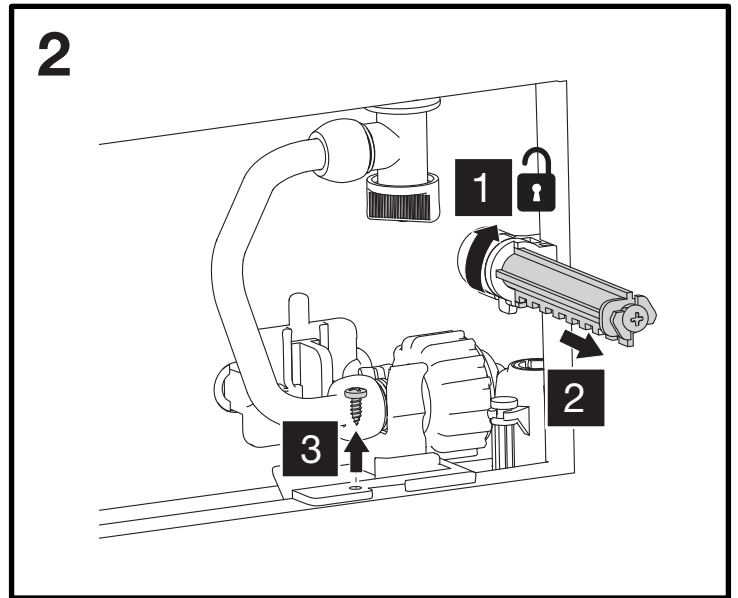
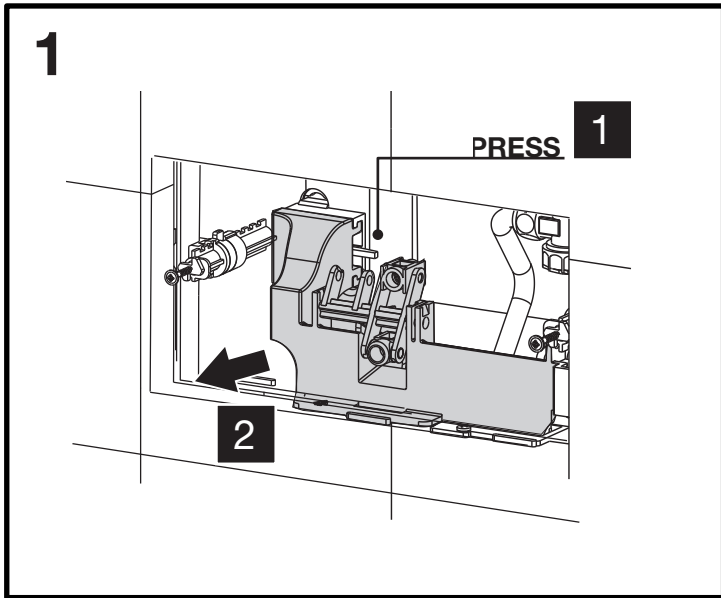
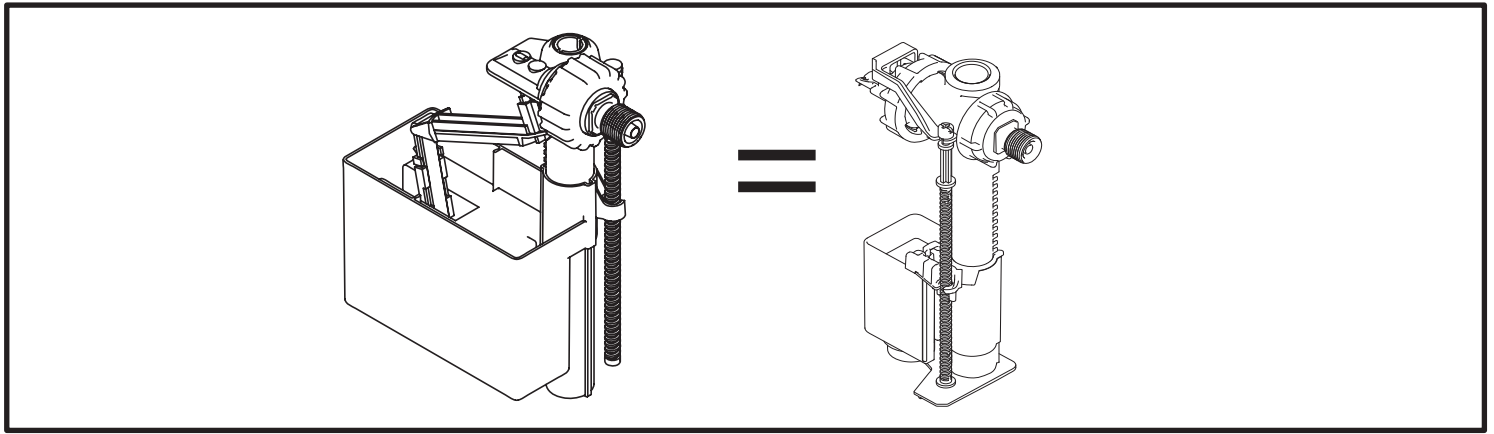
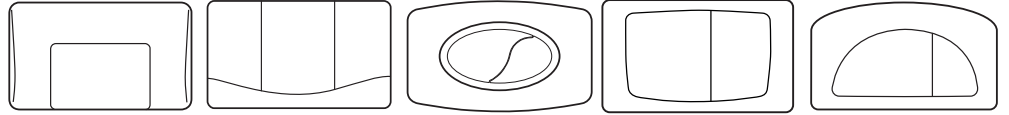


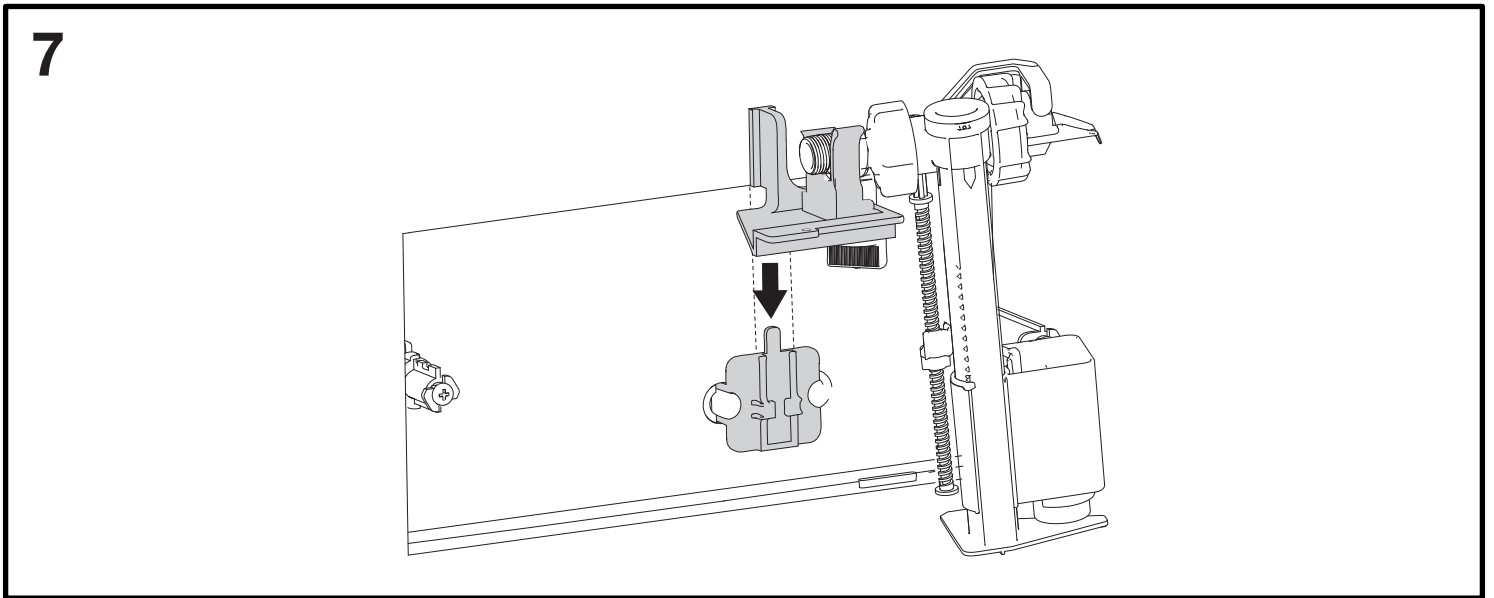
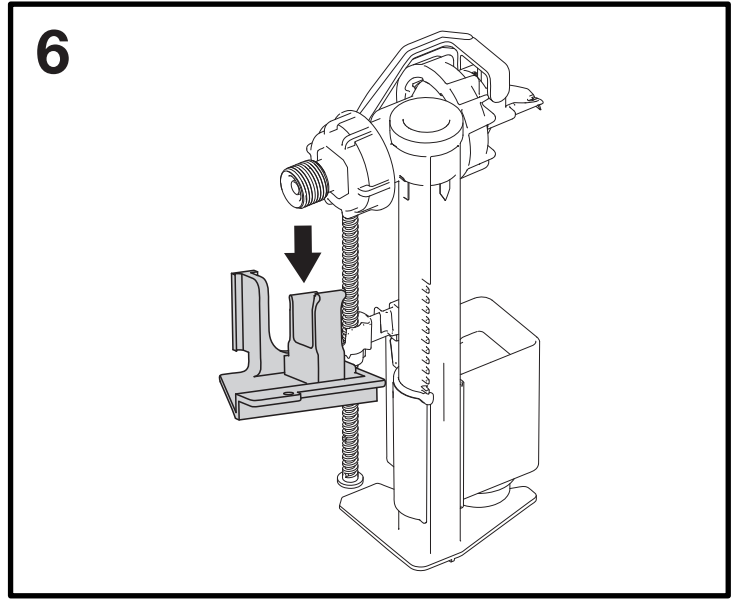
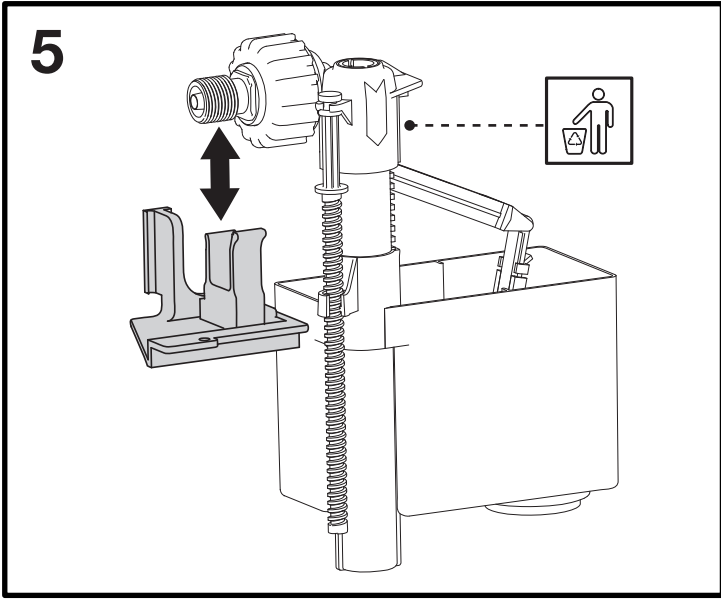


i OLI: QUADRA



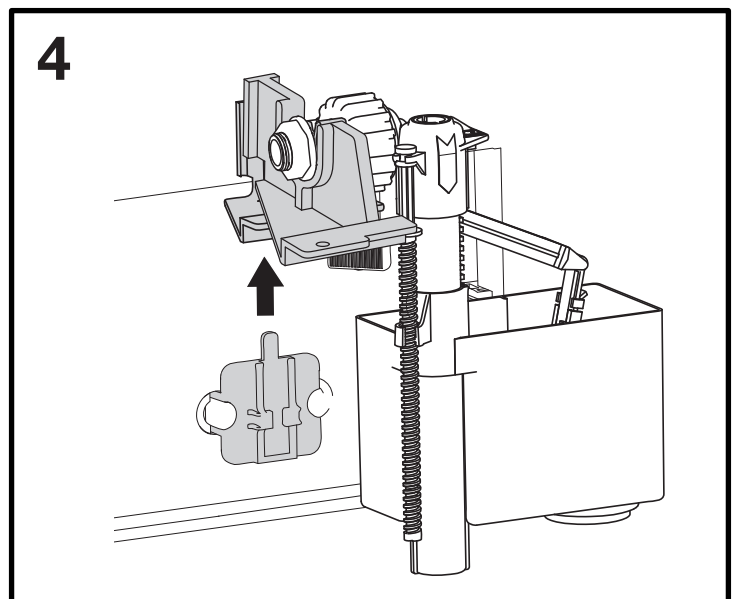
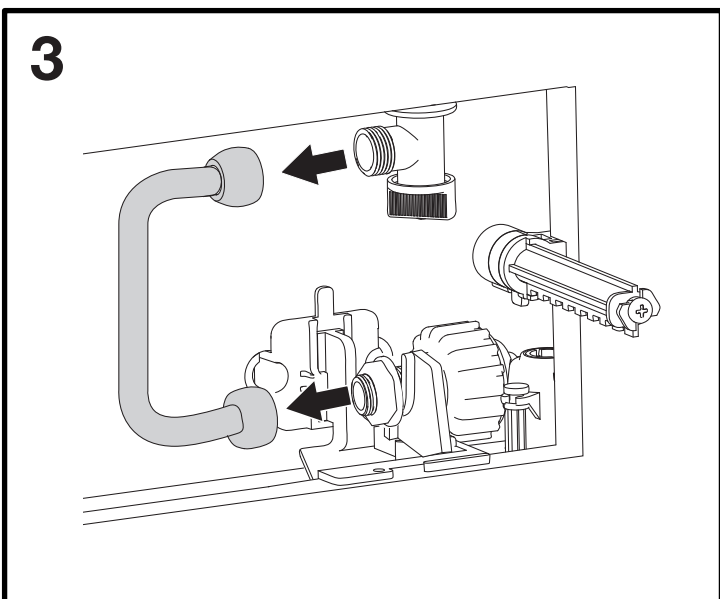
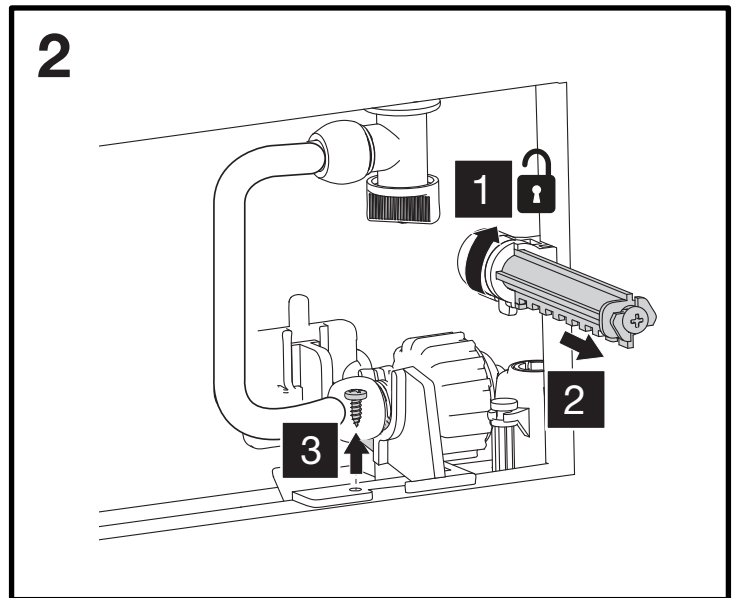
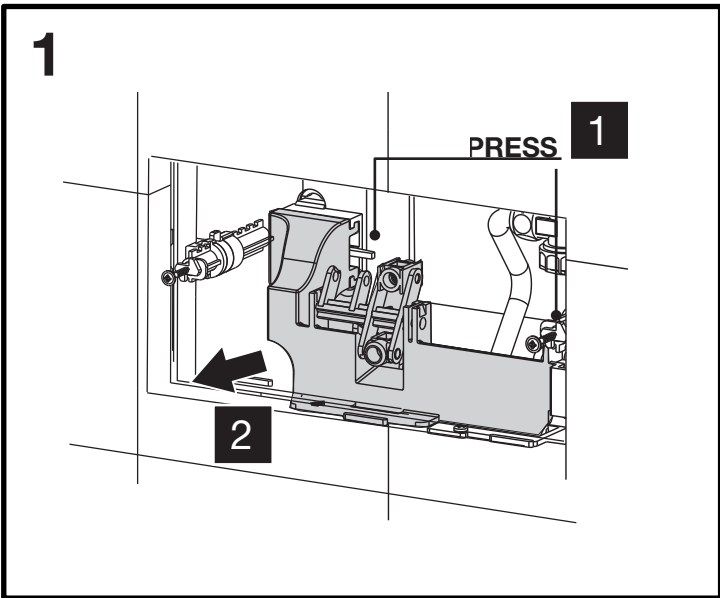
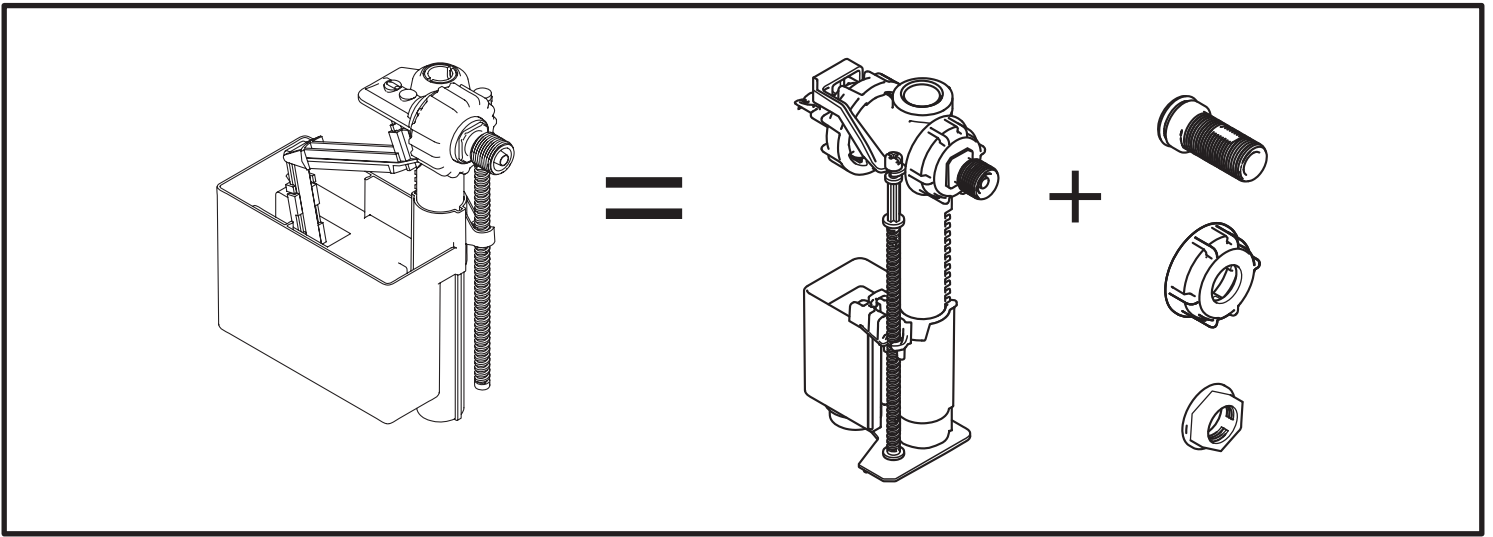
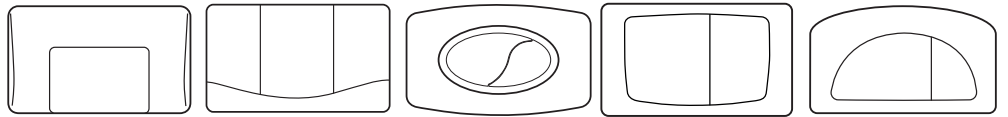


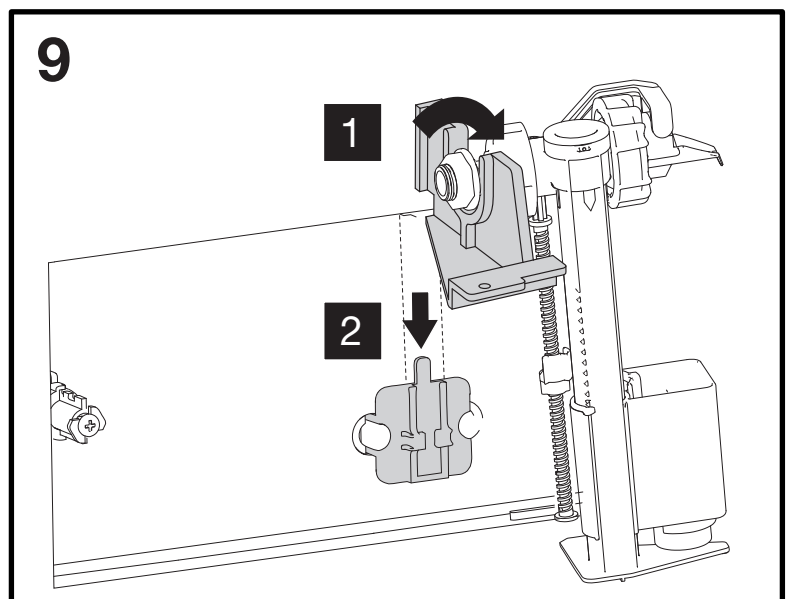
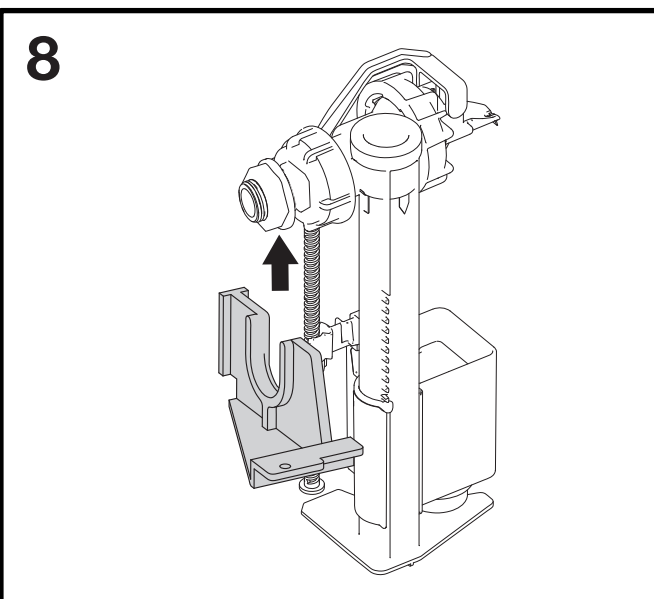
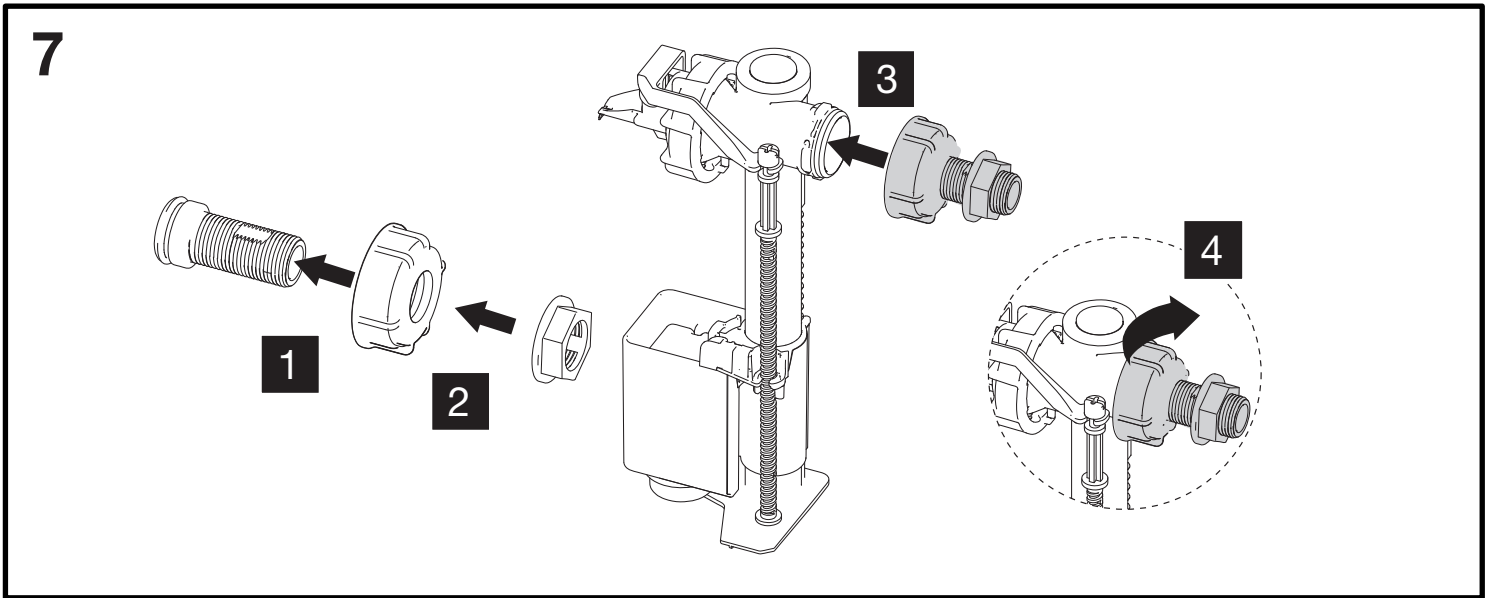
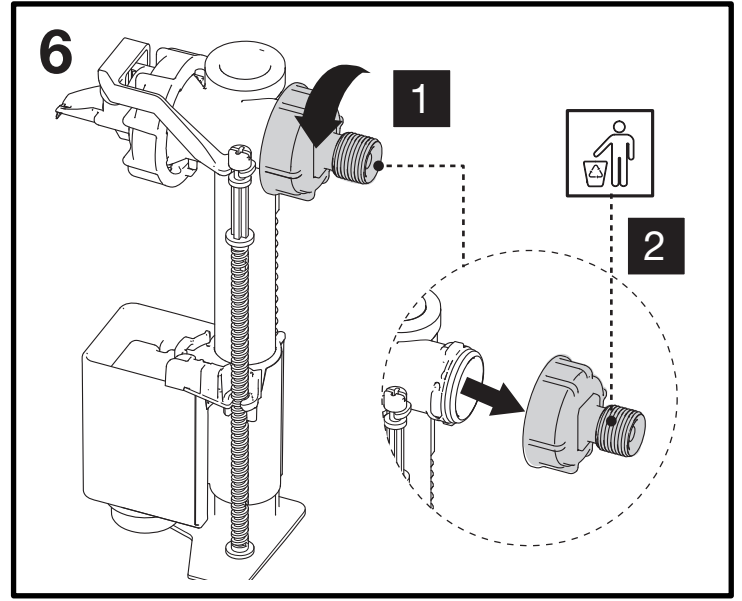
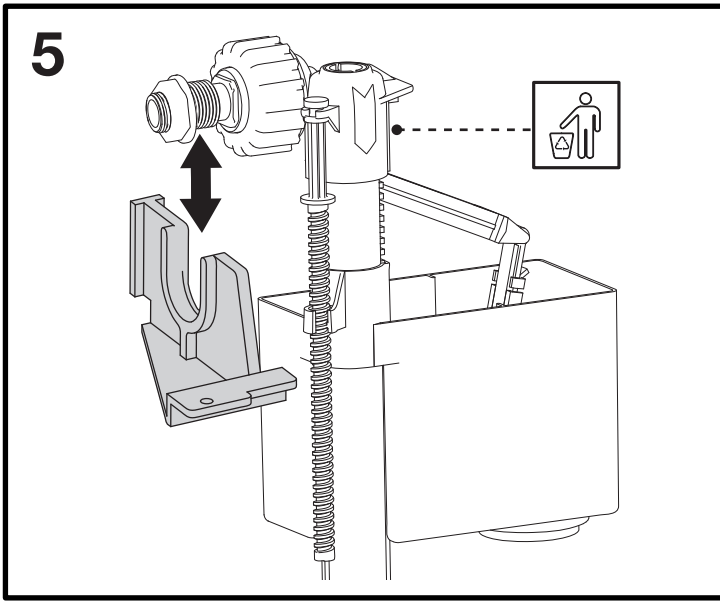






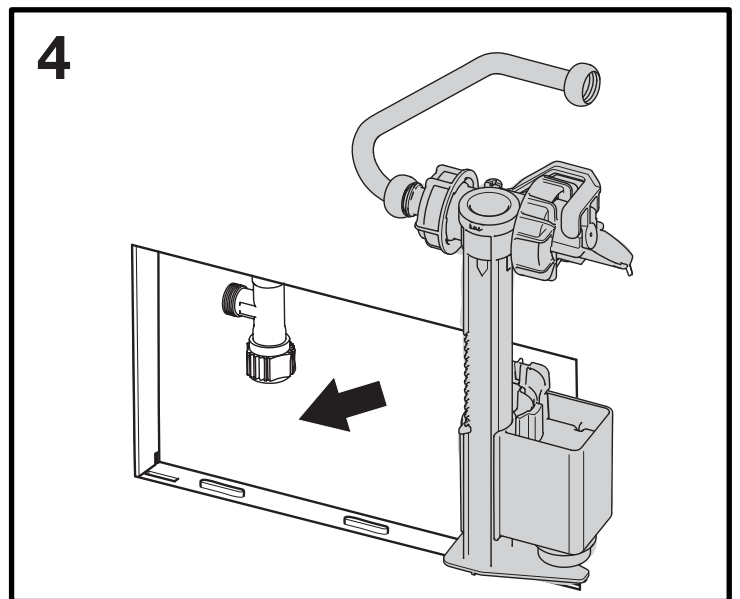
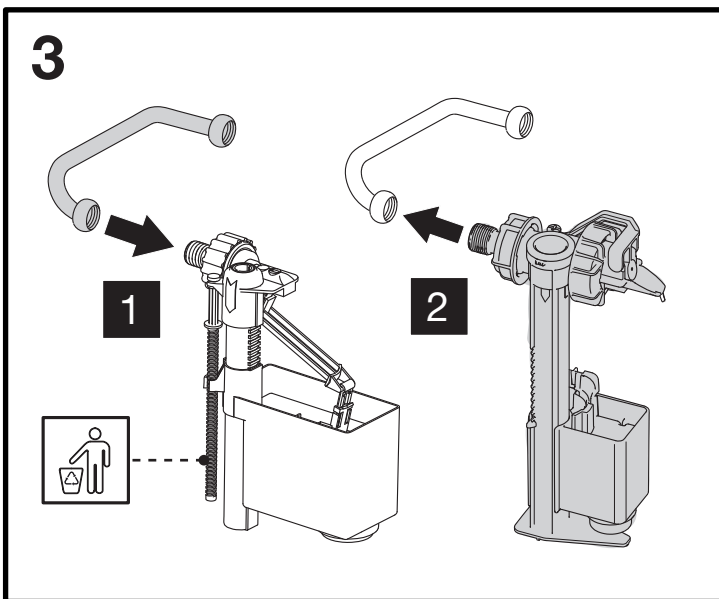
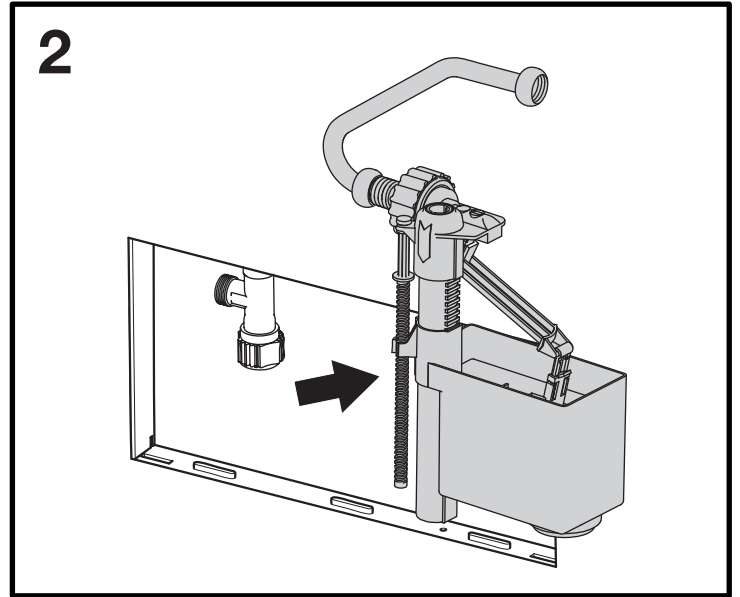
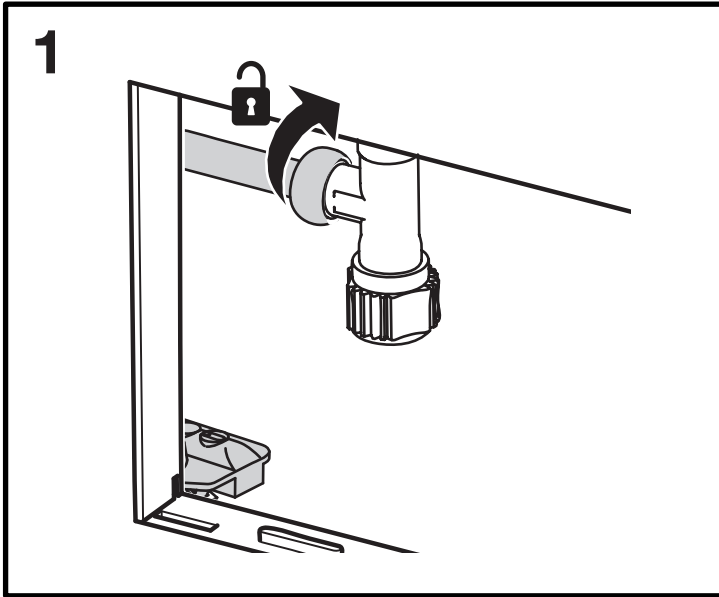
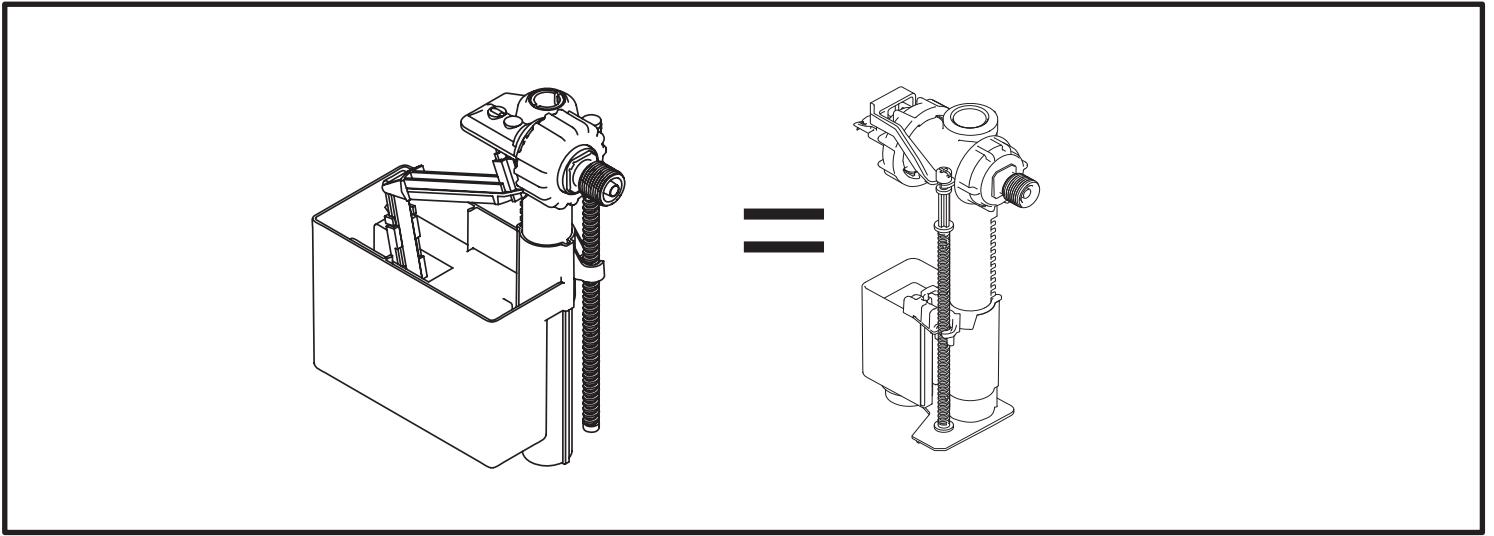
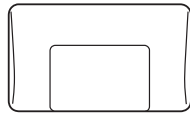
OLI: Diamante 00-02





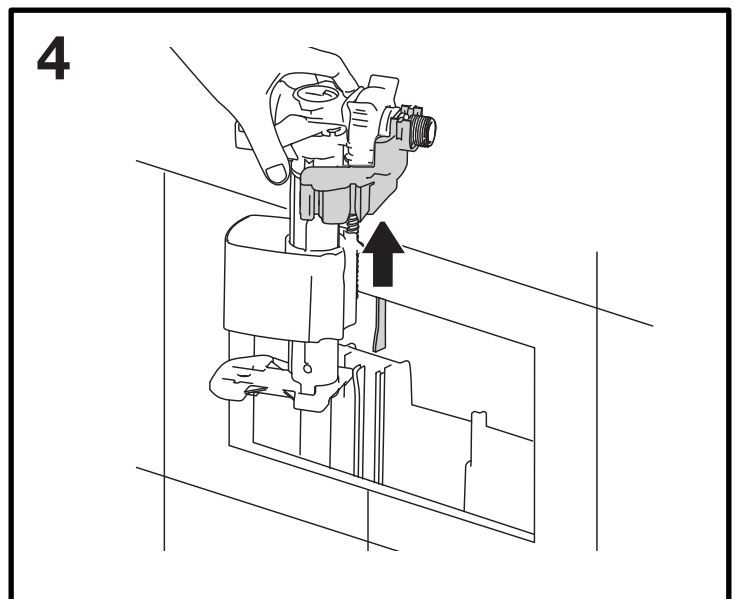
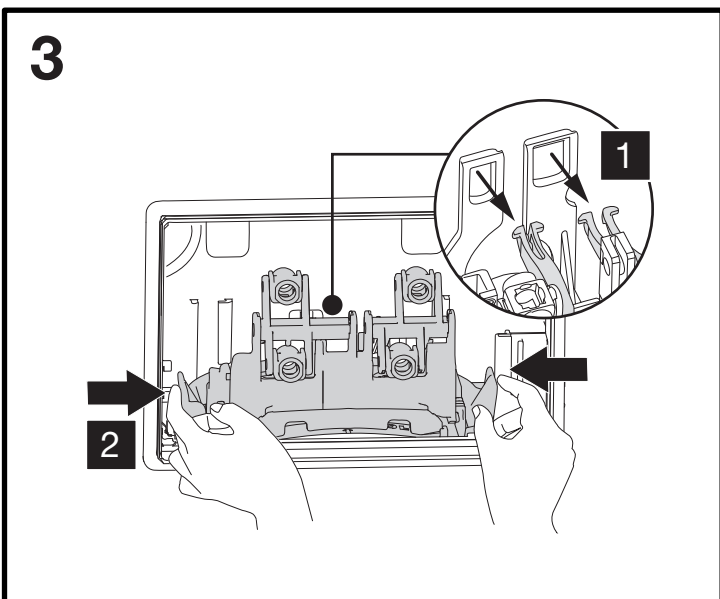
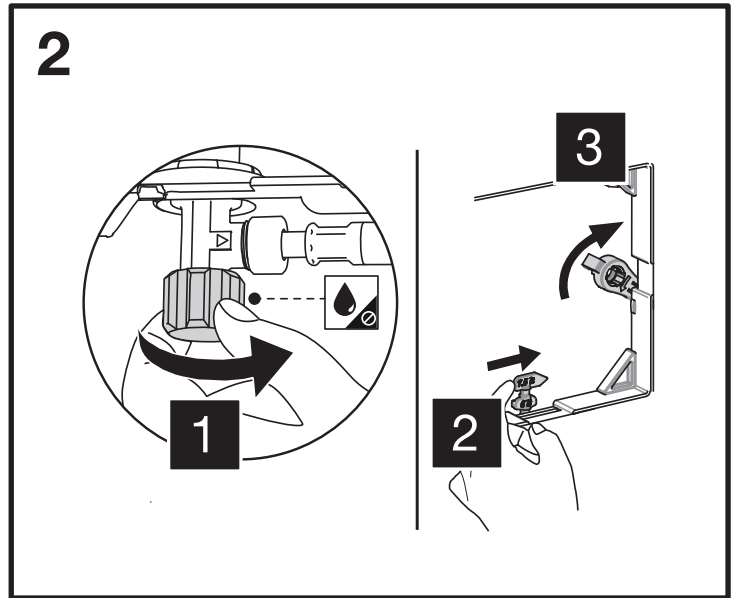
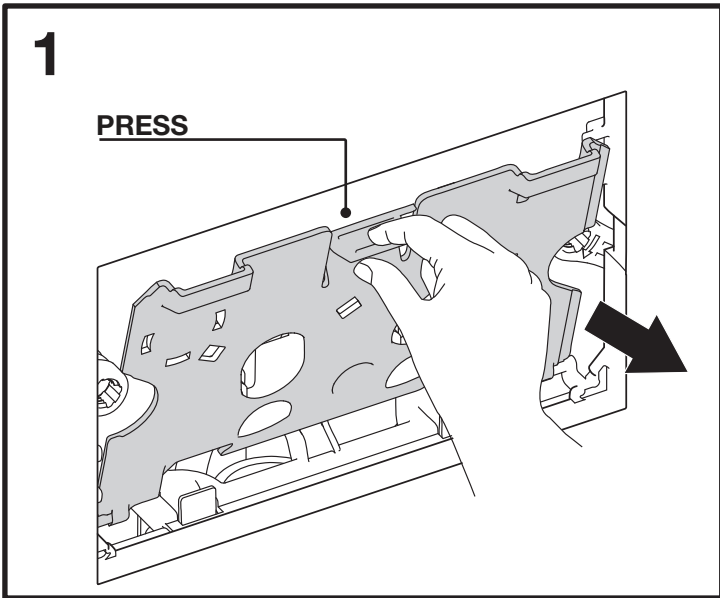
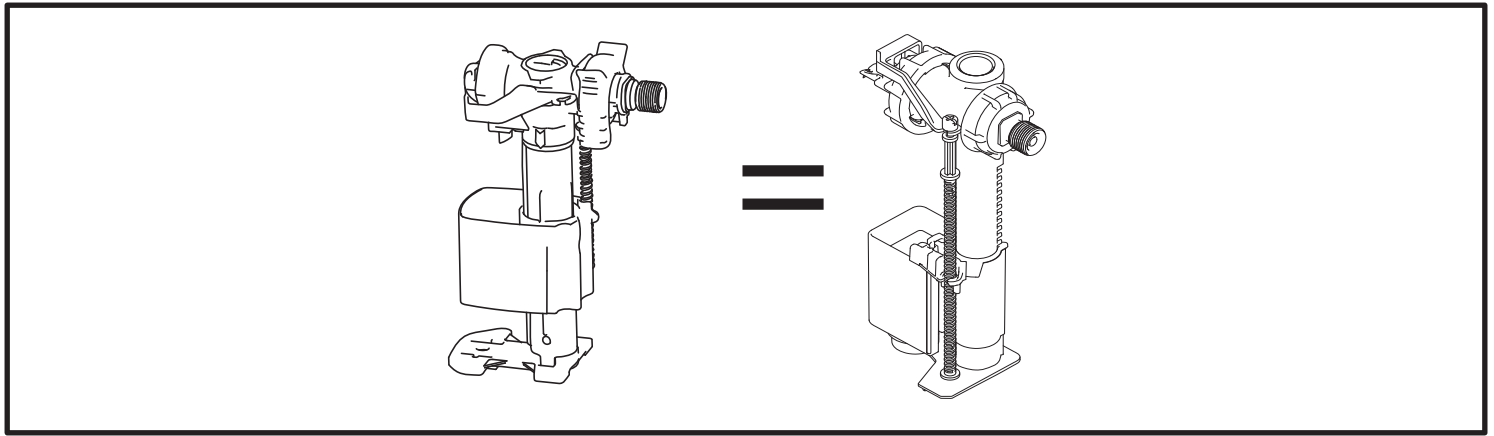
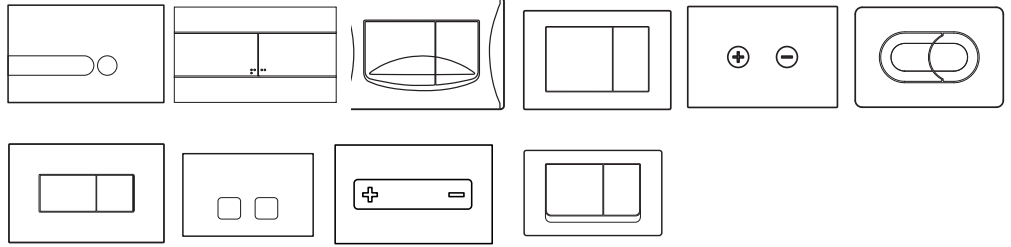


OLI: Diamante 93-99

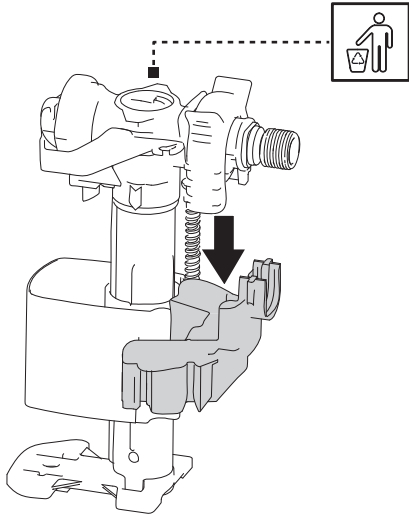




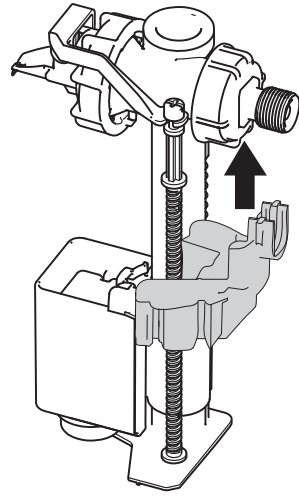
OLI: EXPERT PLUS



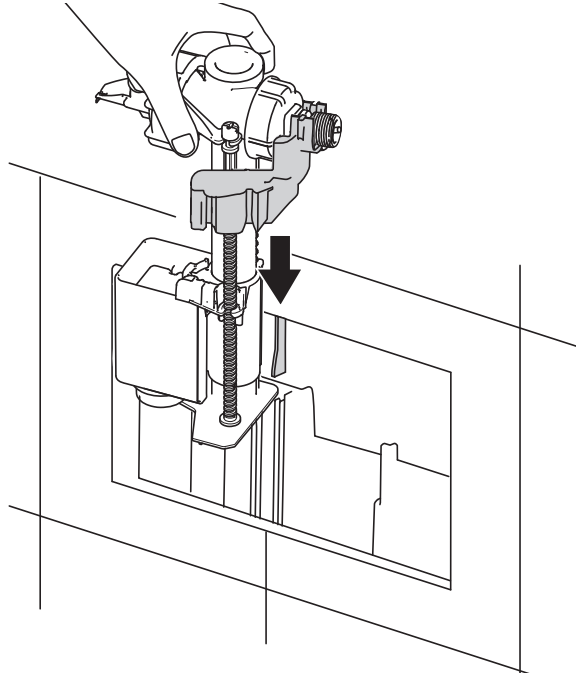
5

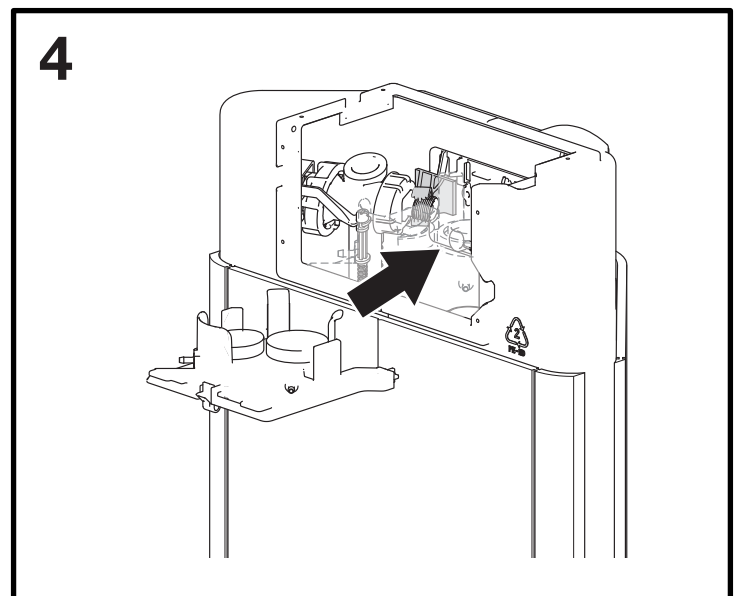
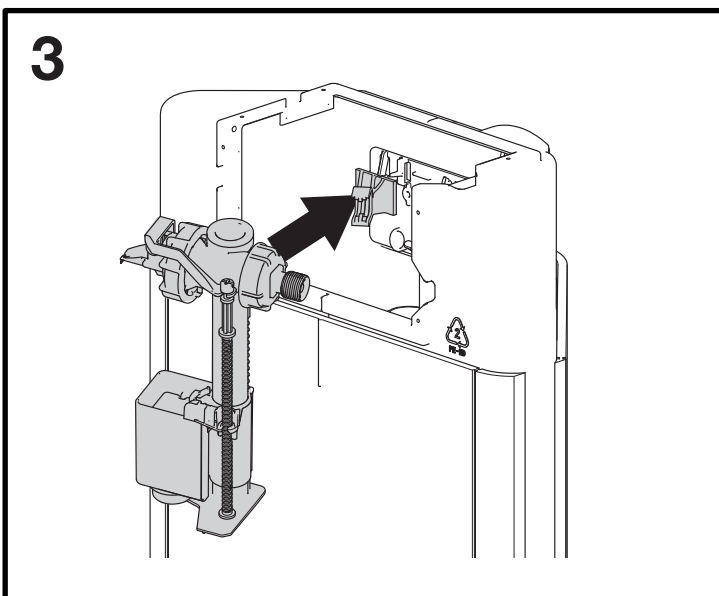
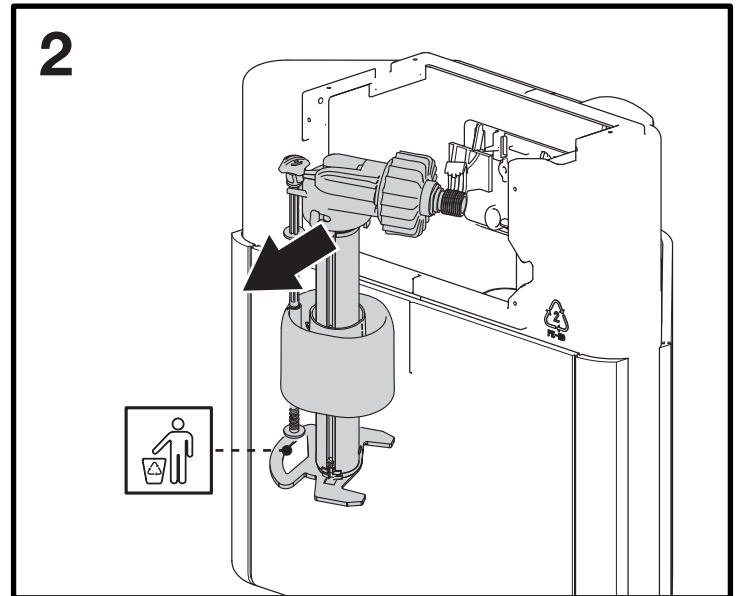
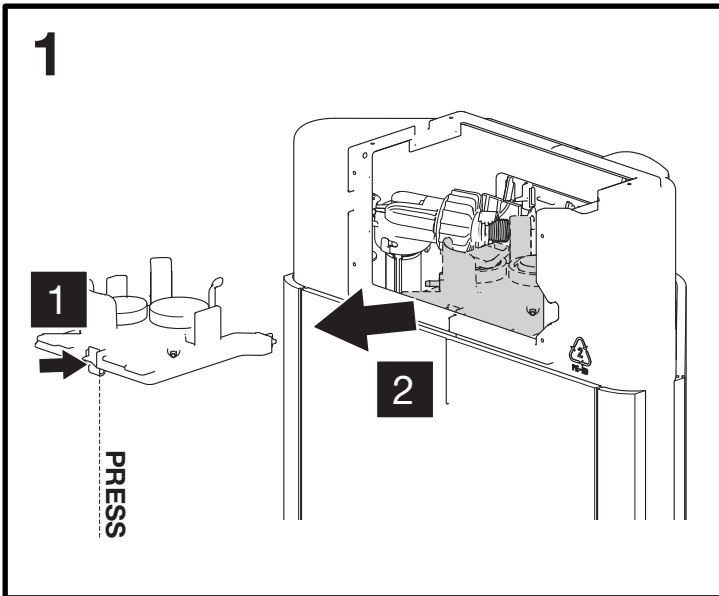
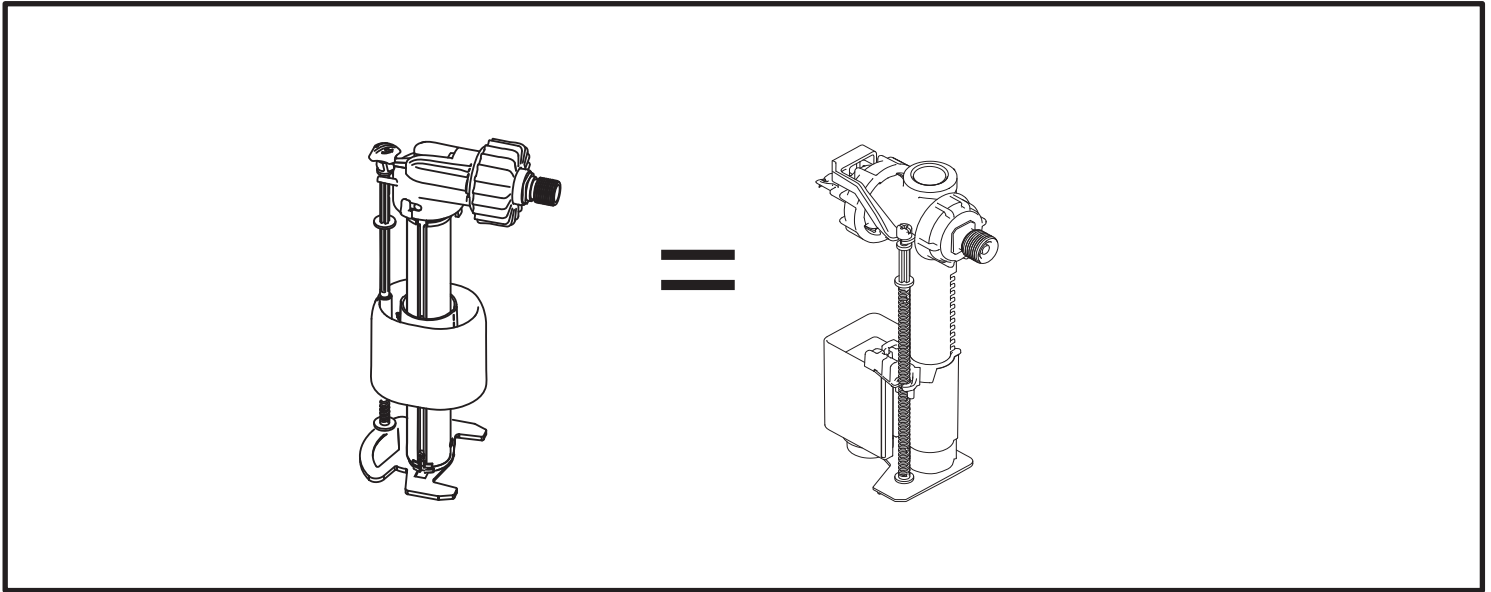
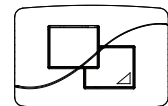
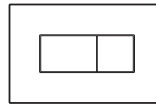
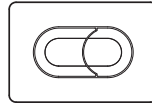


6



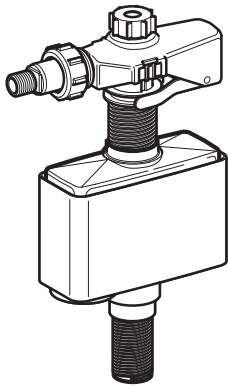
7



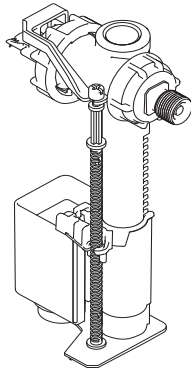




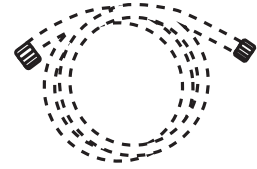
*GEBERIT® TWILINE UP170 (1989-2004)



=



+

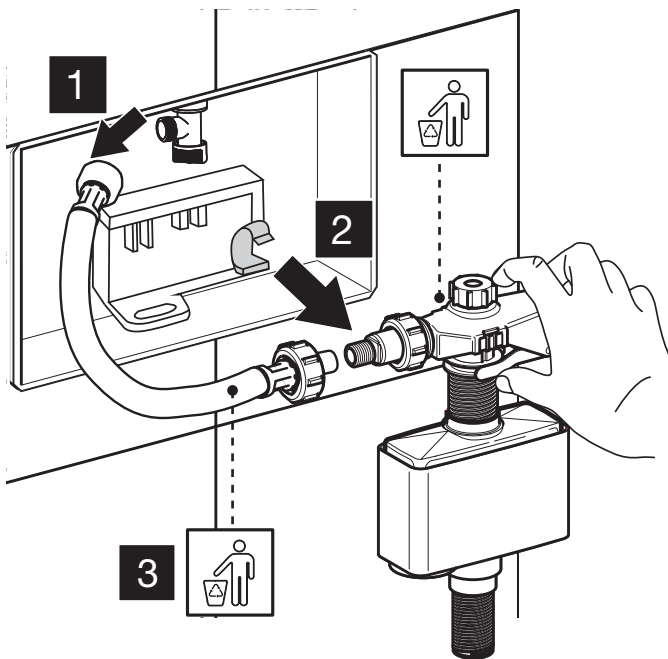


OPTIONAL UNIVERSAL FLEX

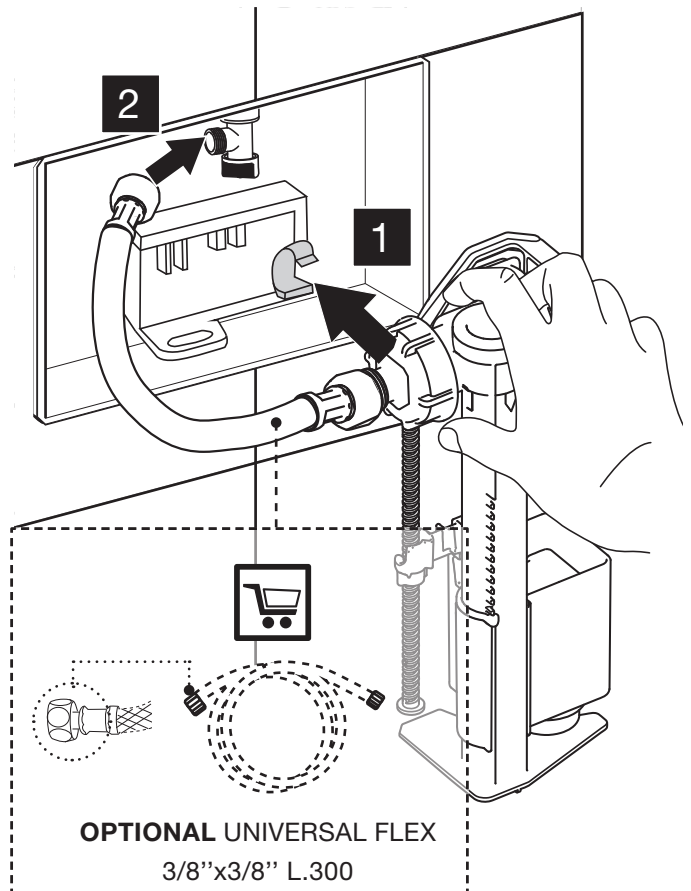
3/8"x3/8" L.300

*Are not OLI registered trademark

1

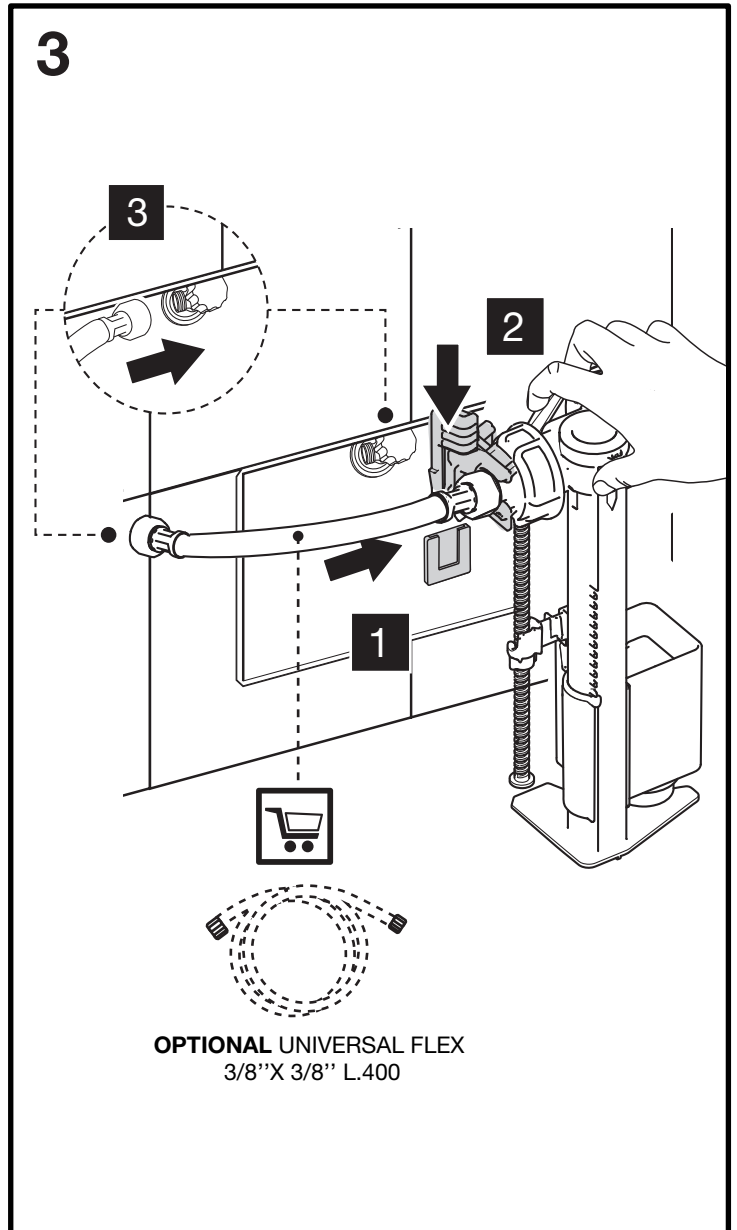
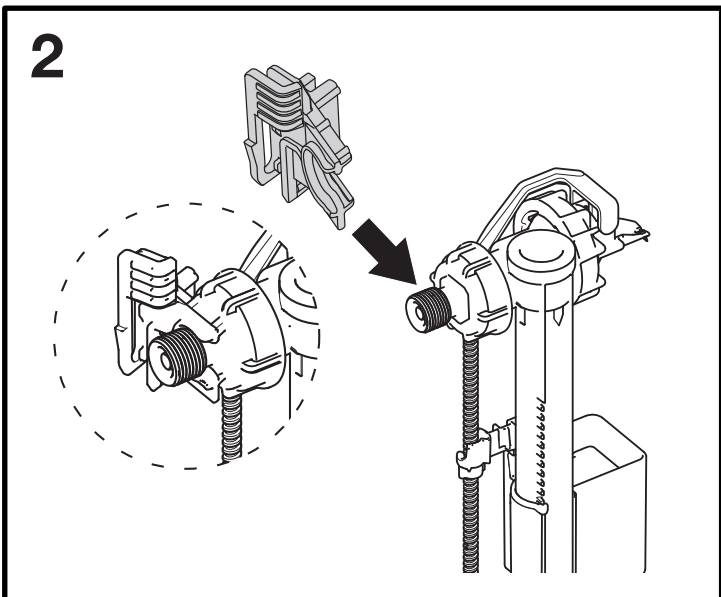
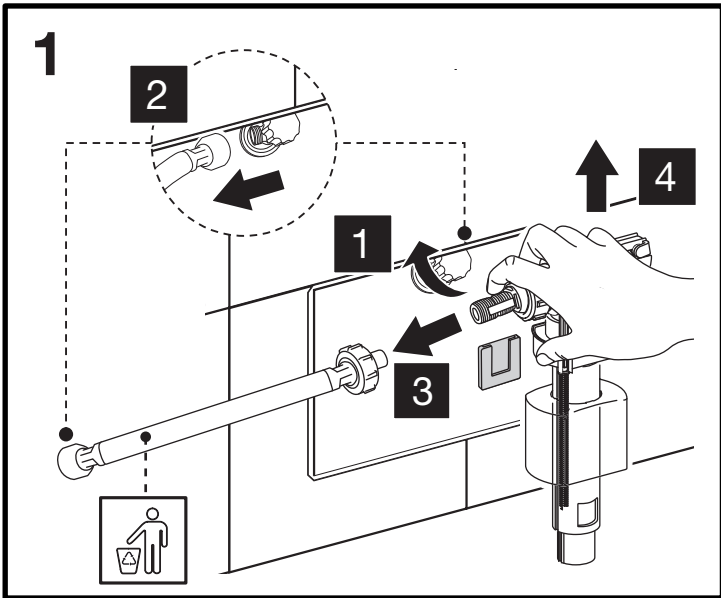
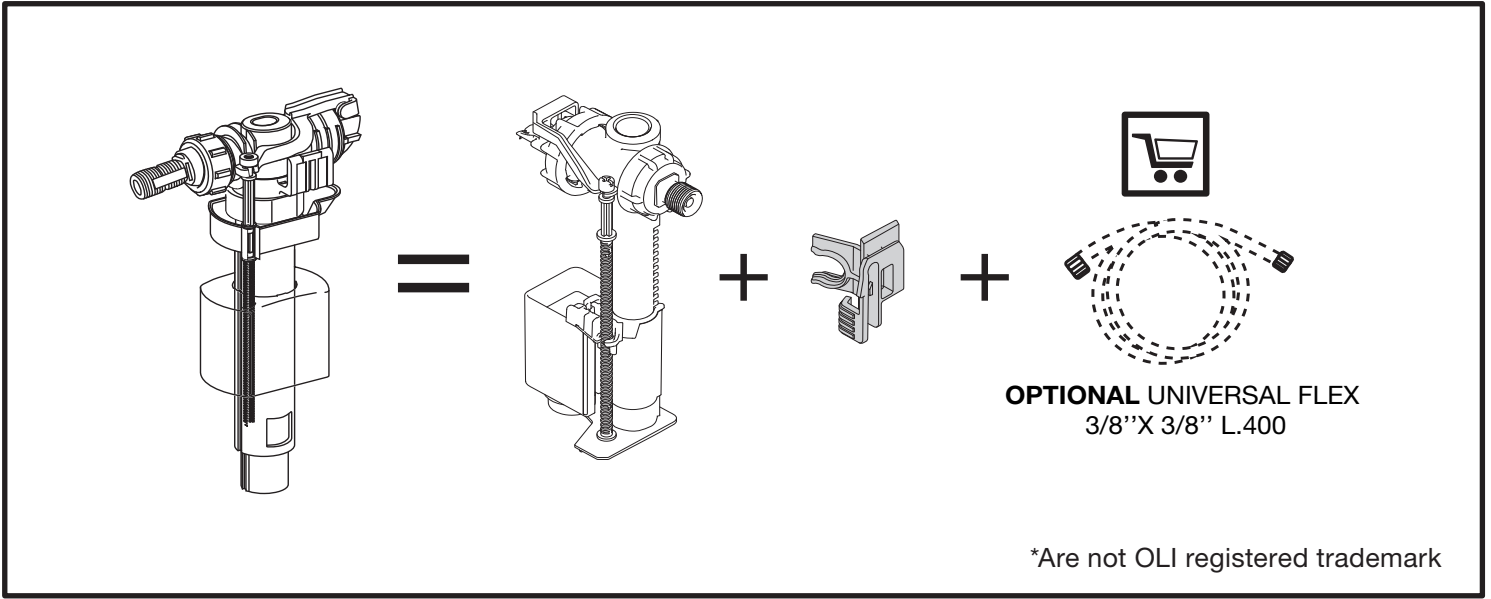


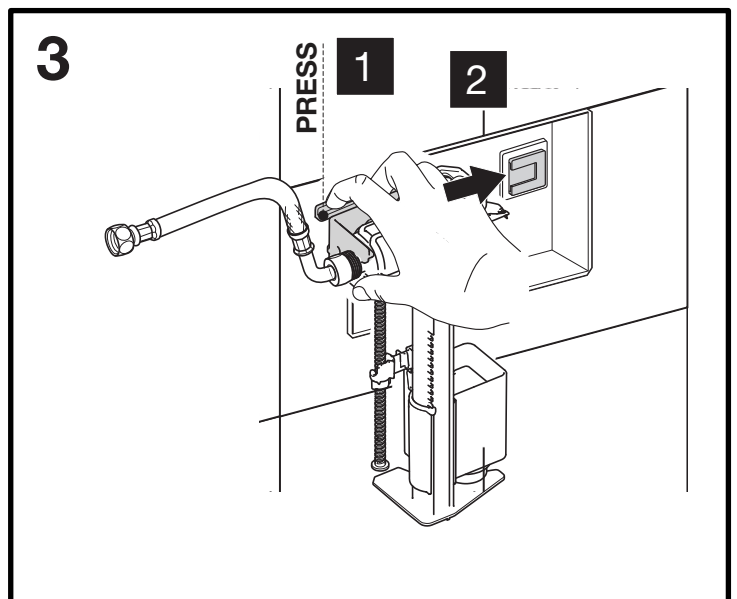
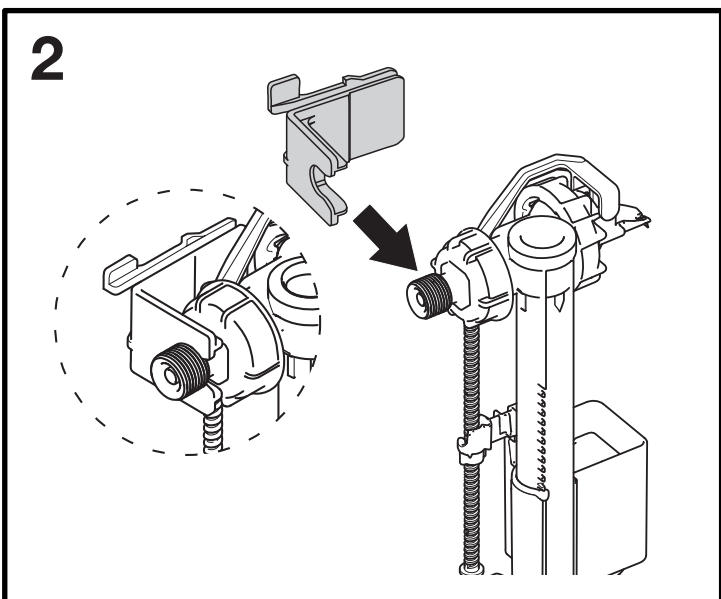
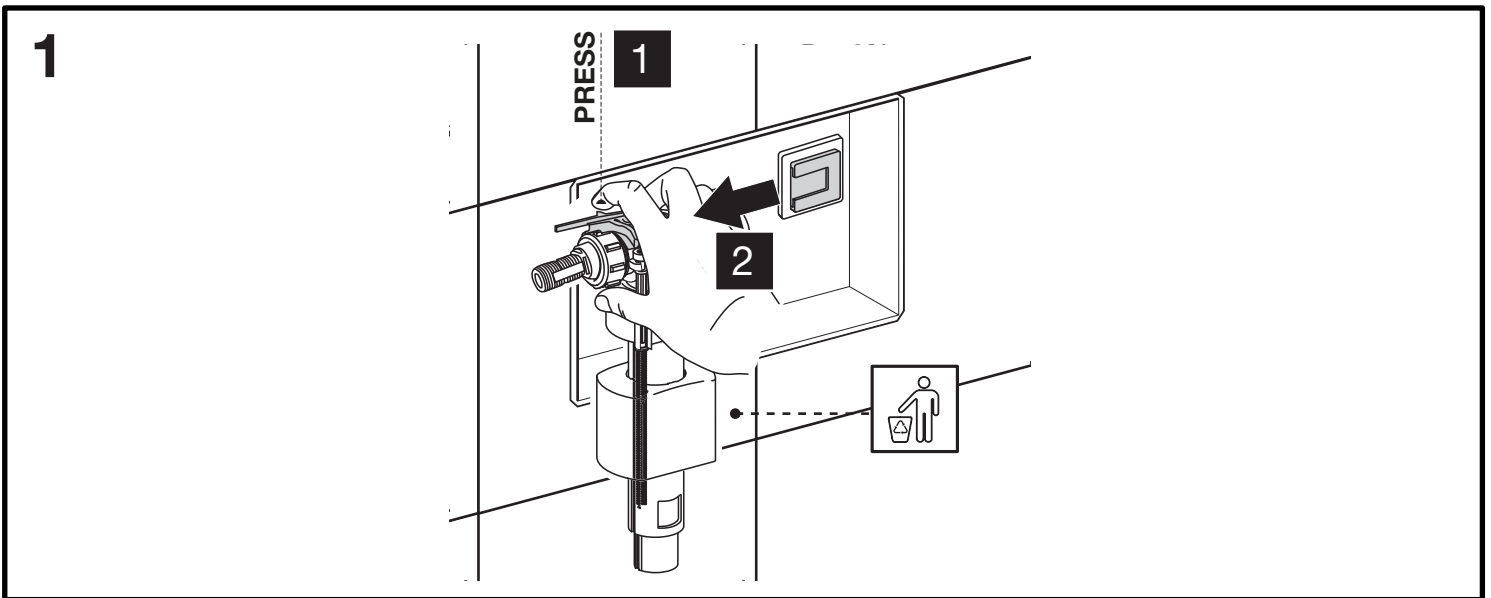
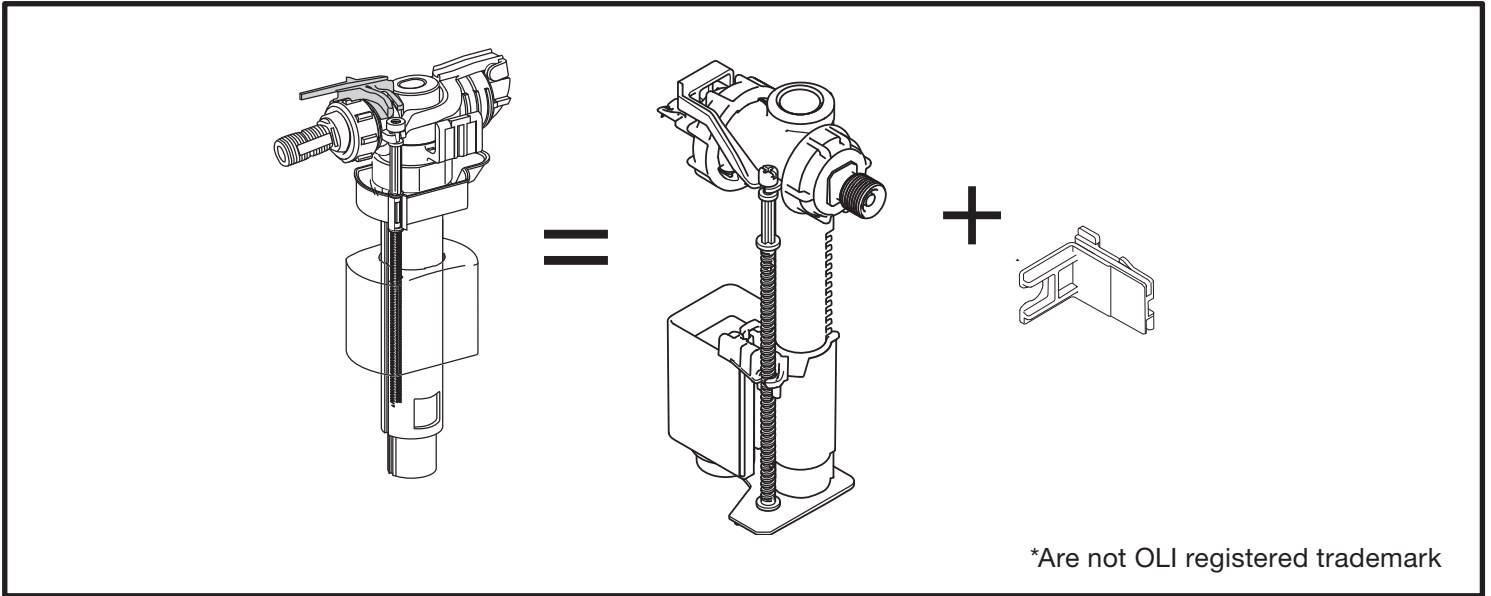
2





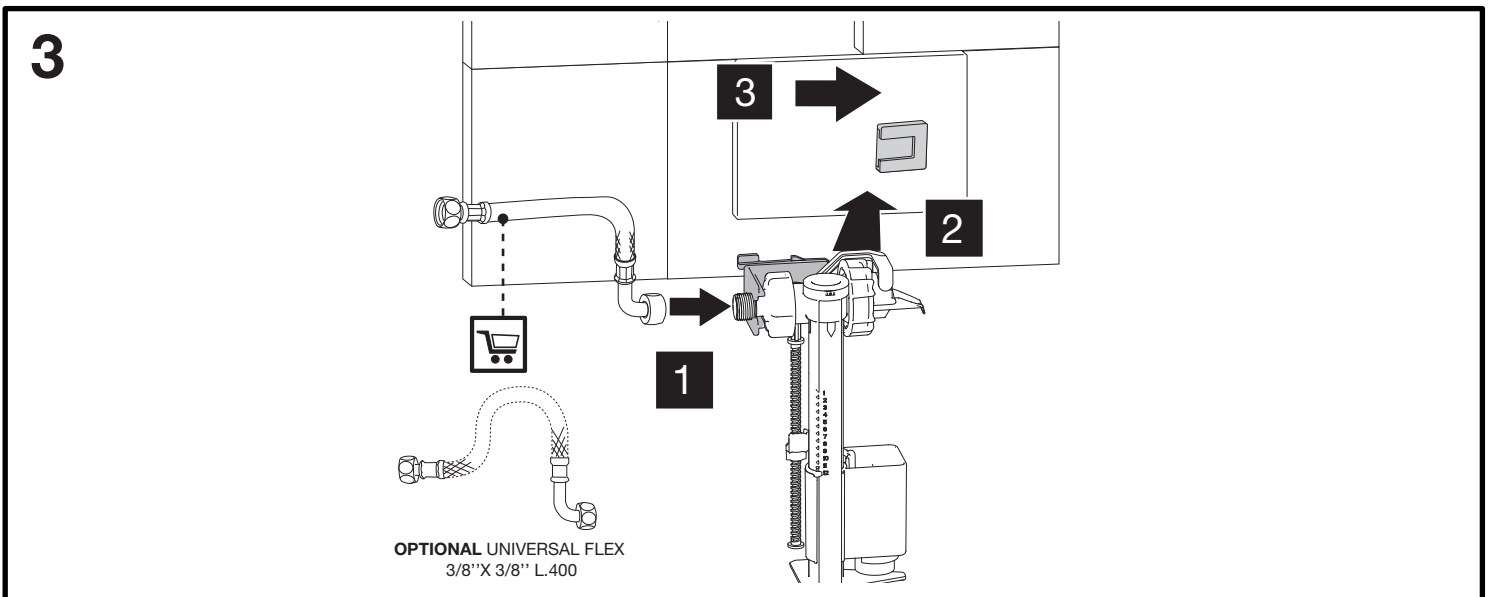
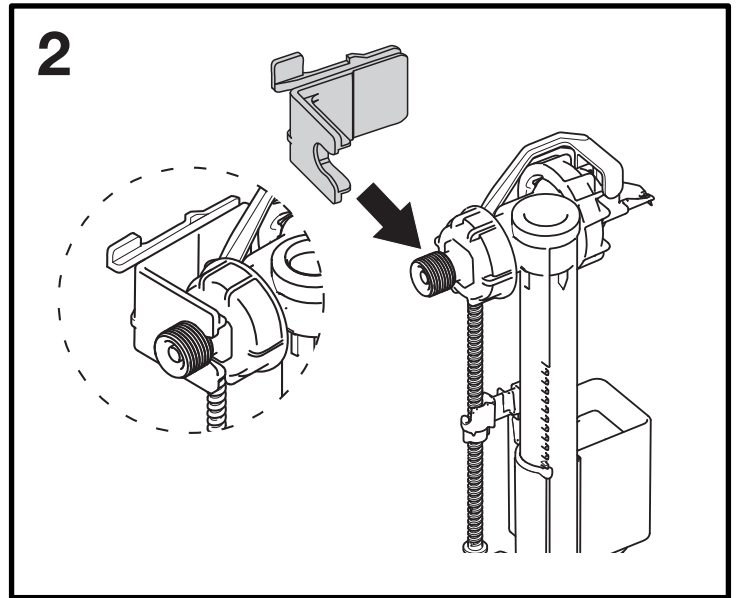
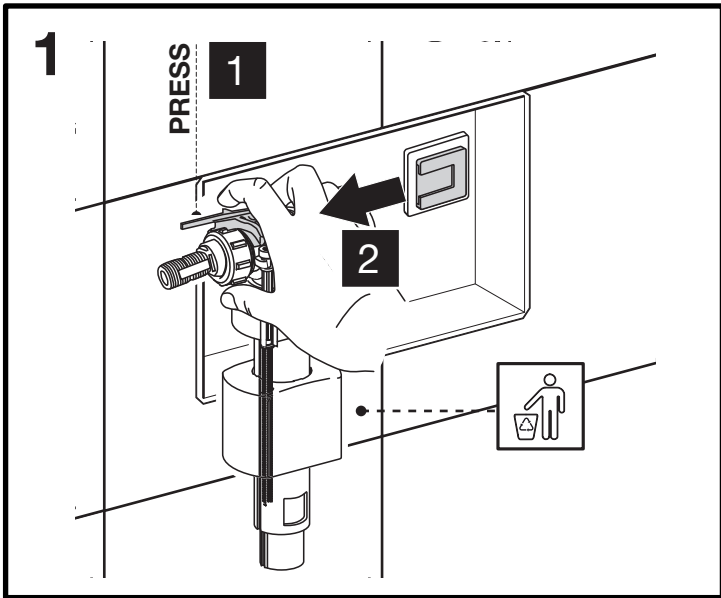
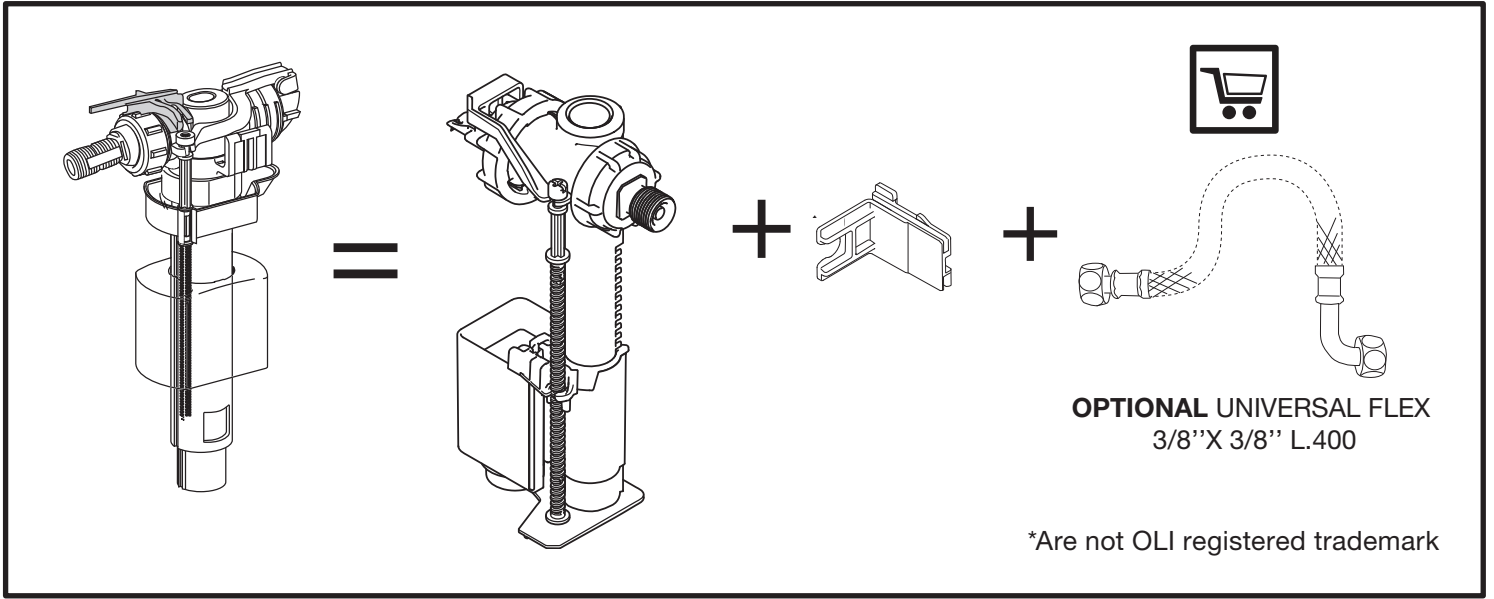
***GEBERIT® DUOFIX SIGMA12**



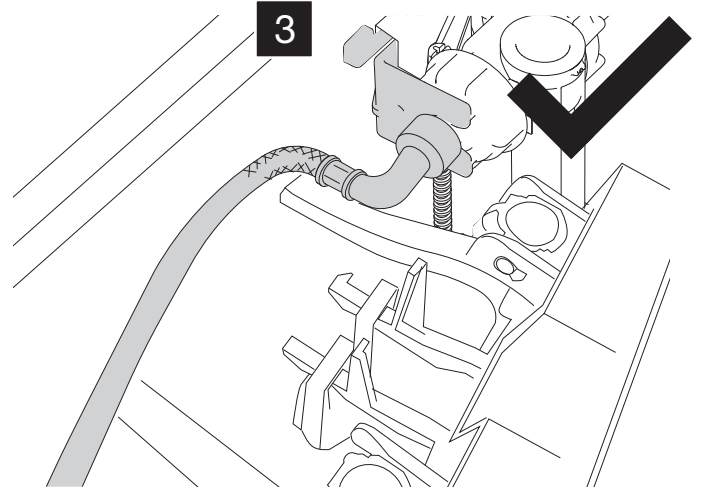
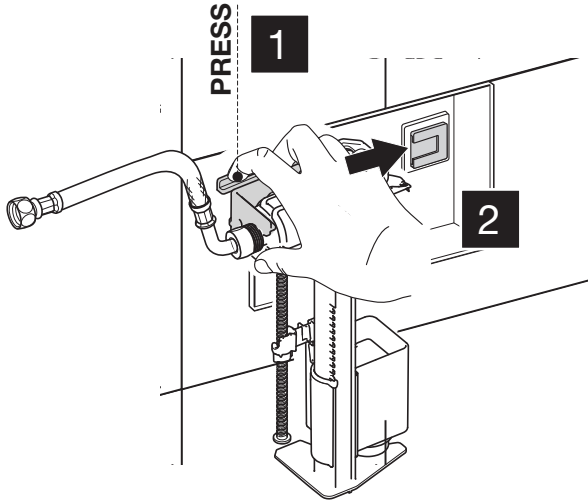


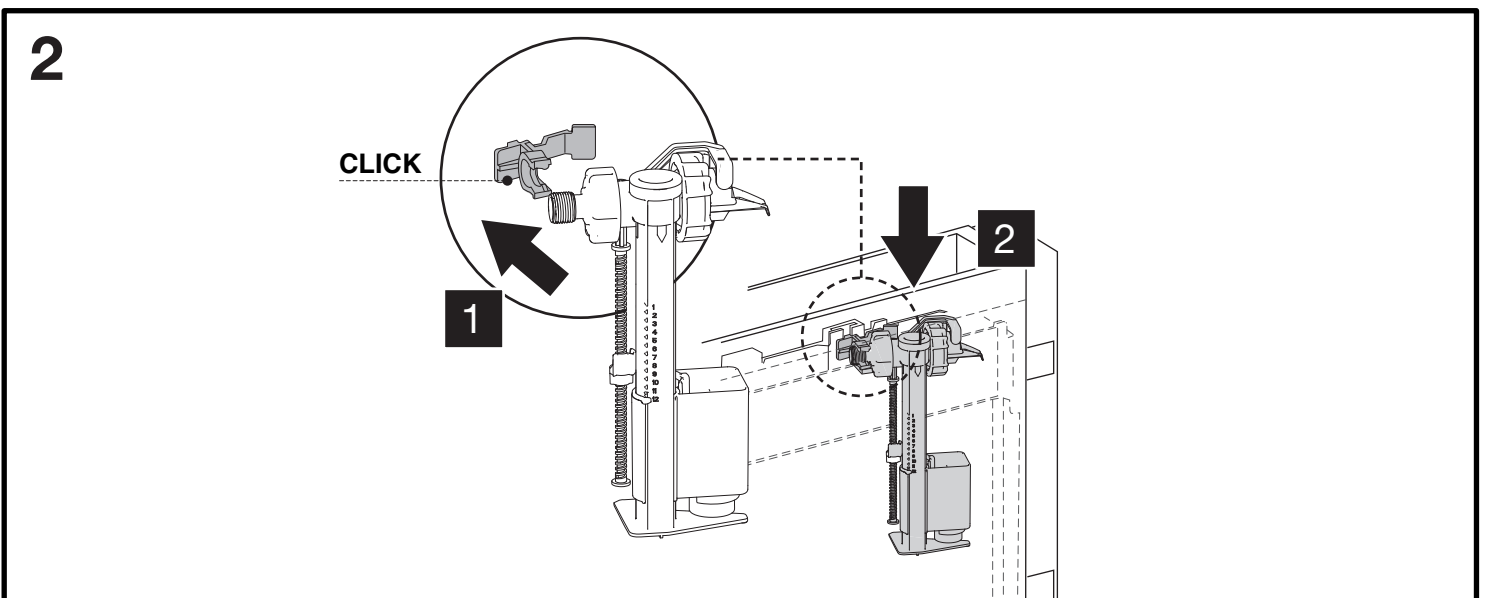
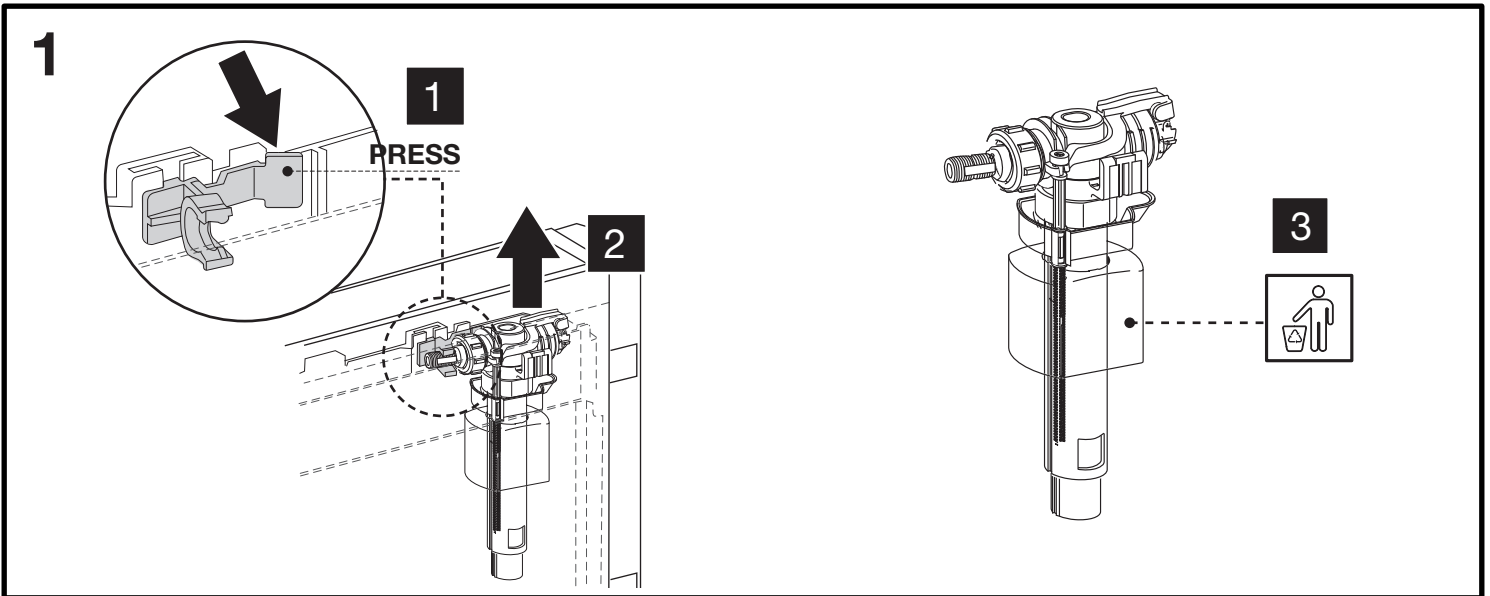
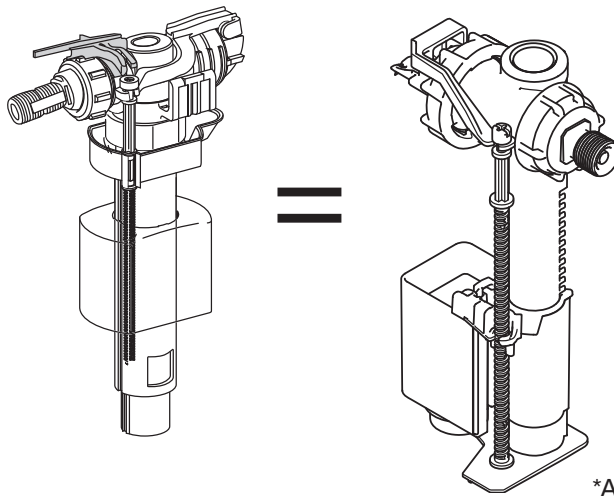


*GEBERIT® OMEGA



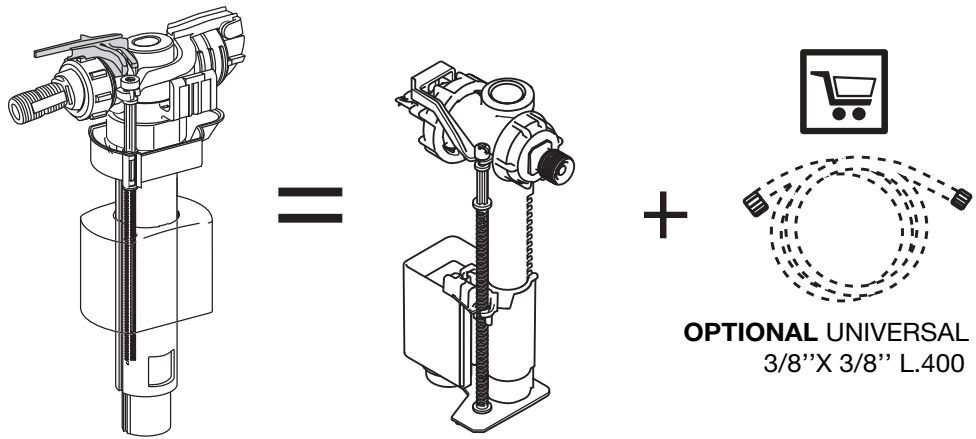
4





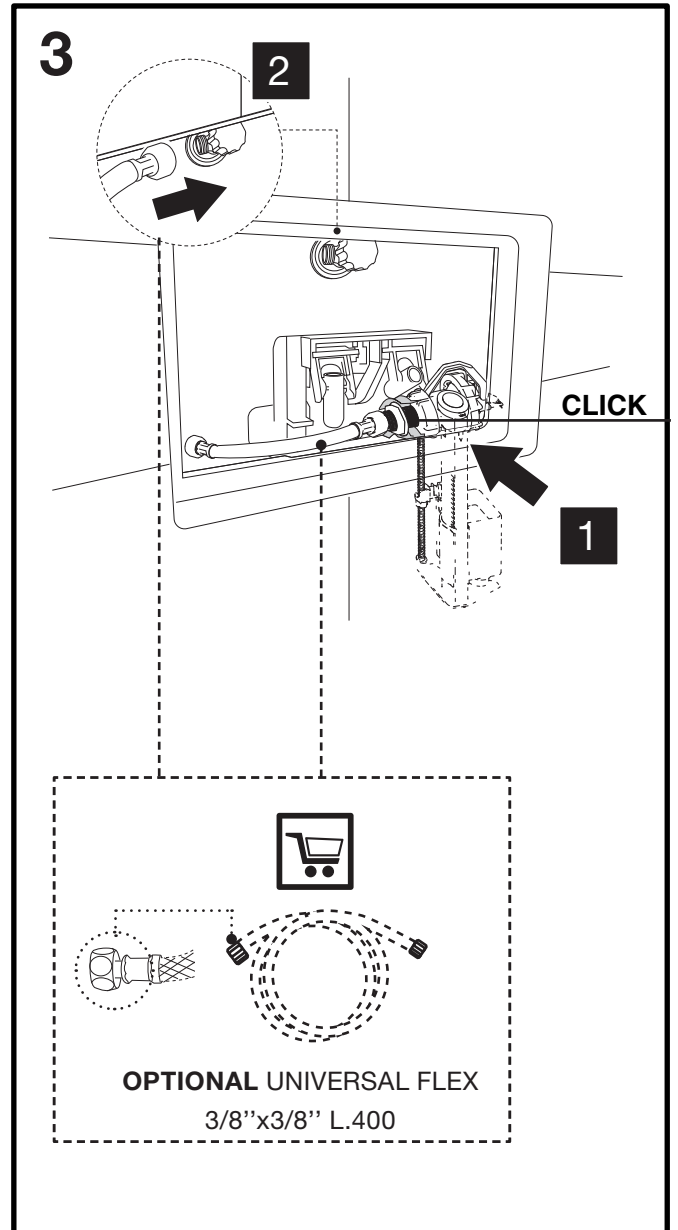
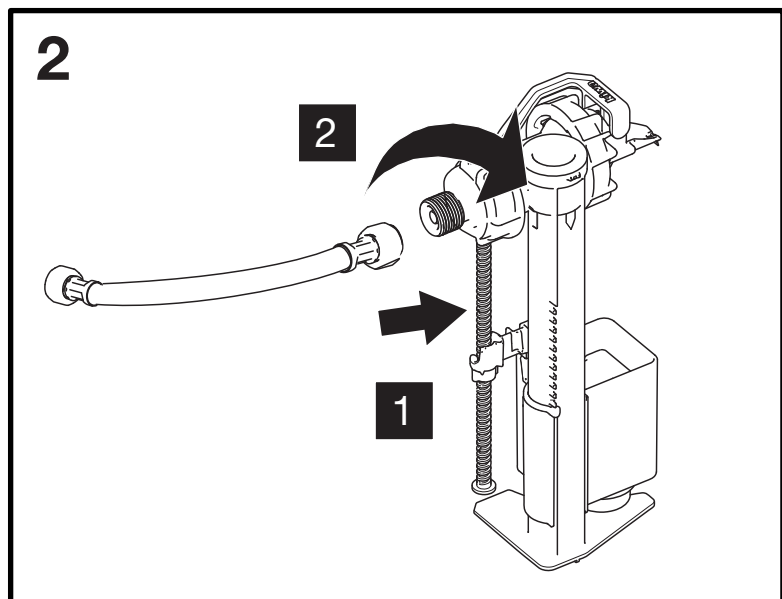
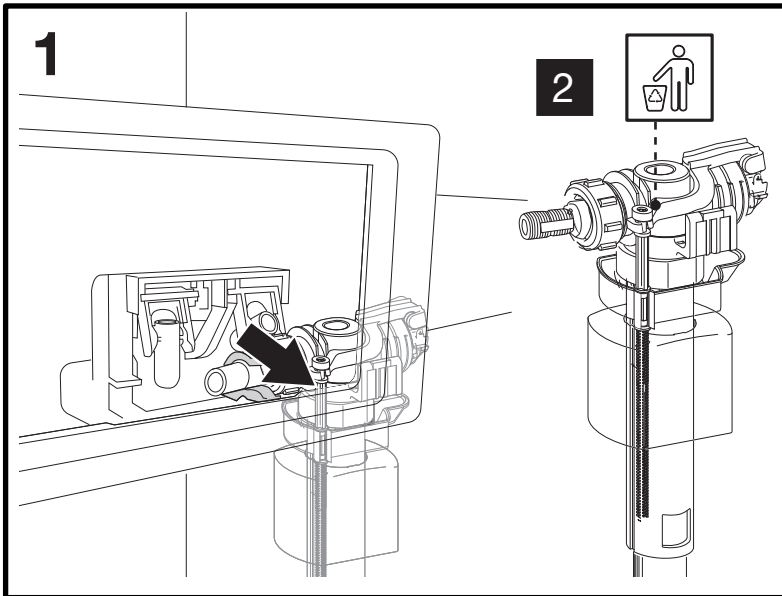


*GEBERIT® DELTA12



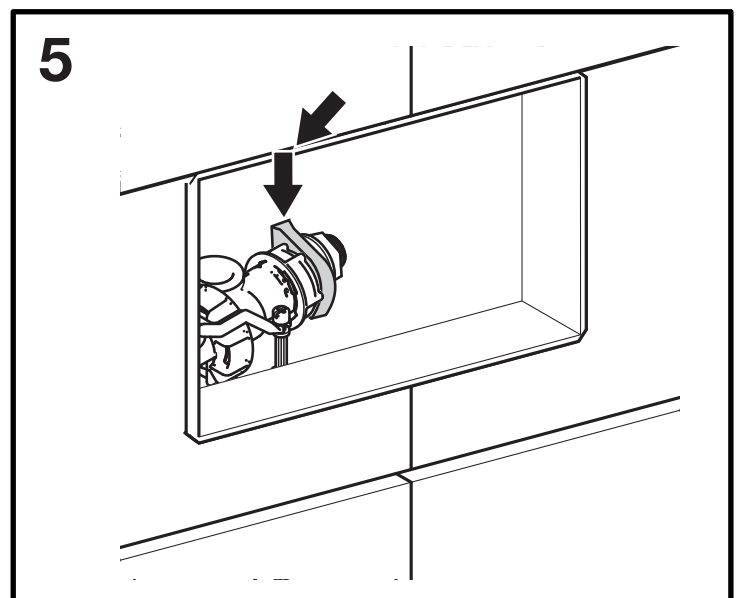
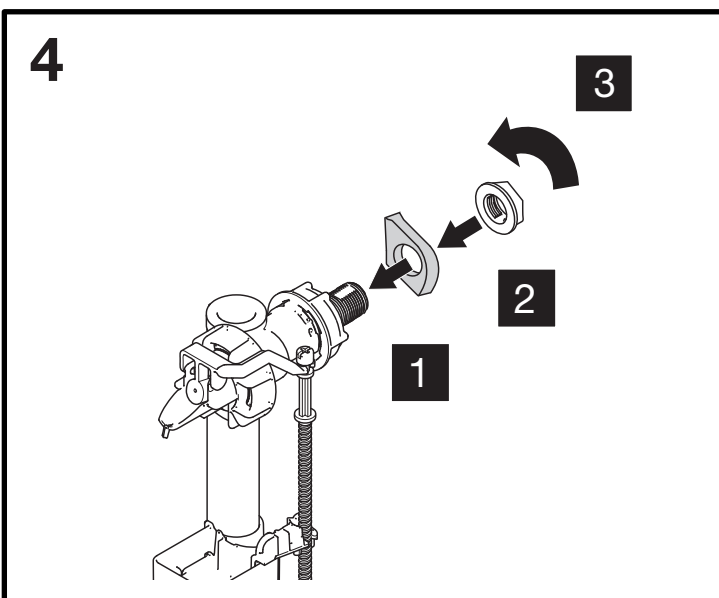
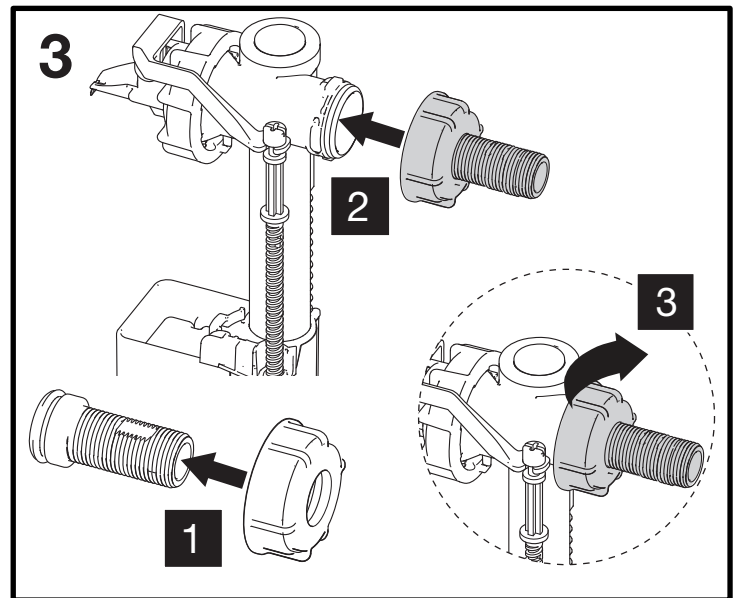
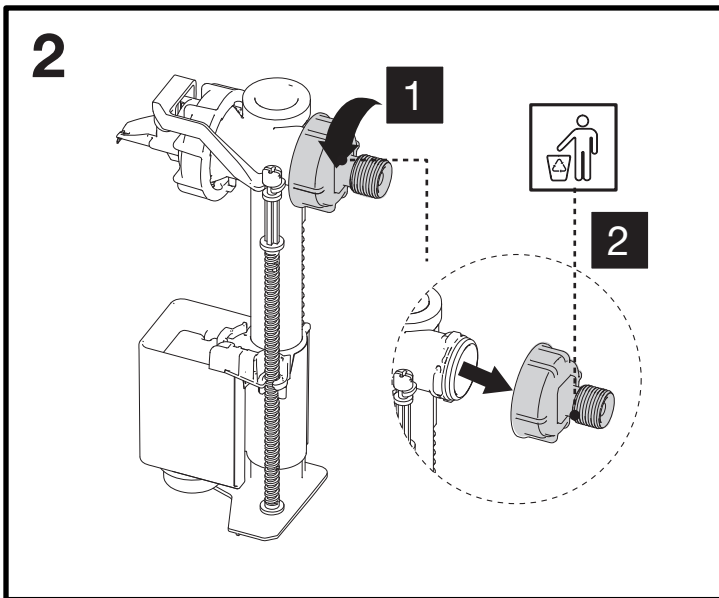
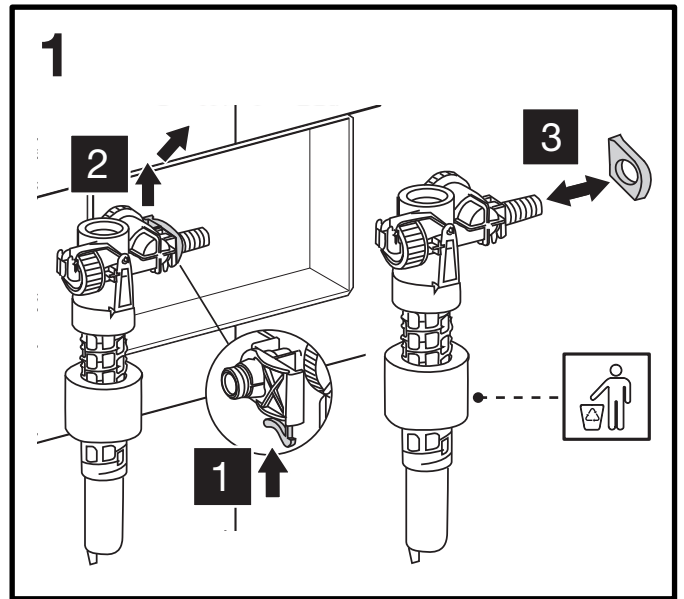
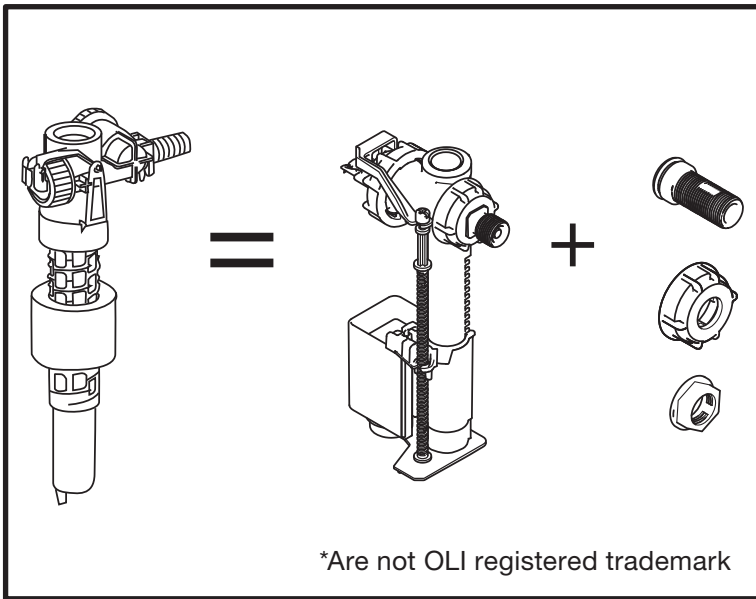
OPTIONAL UNIVERSAL FLEX
3/8" X 3/8" L.400

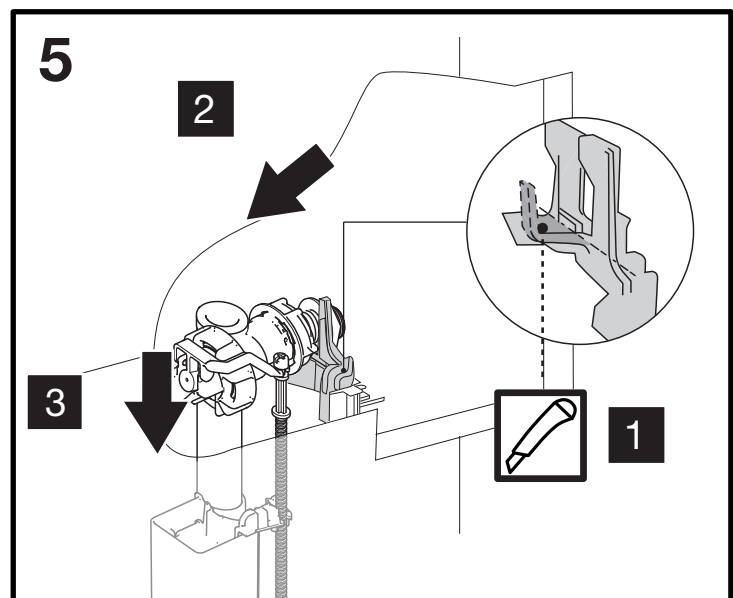
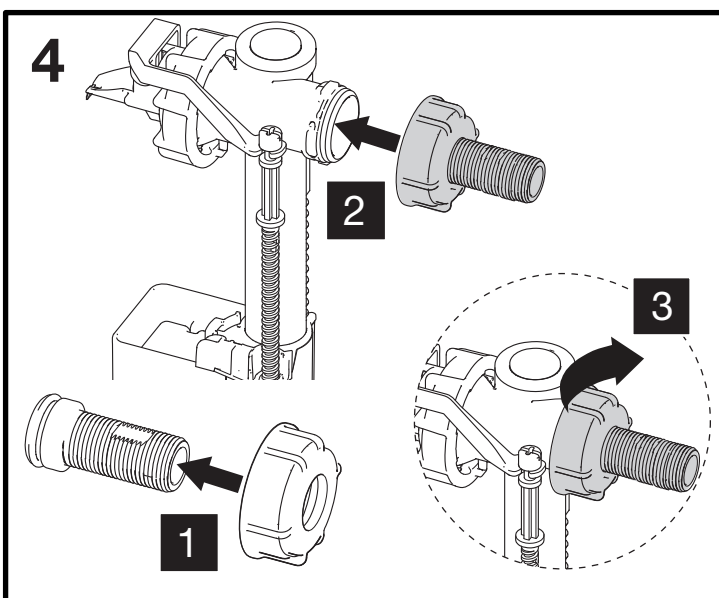
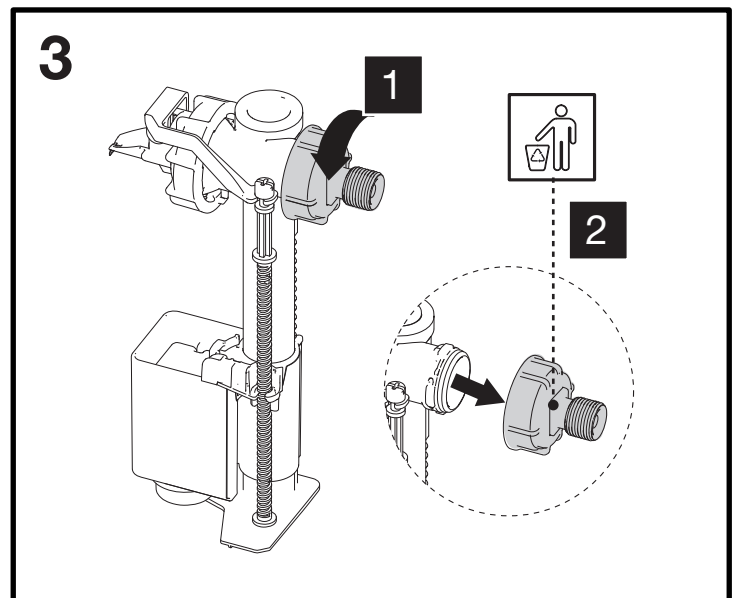
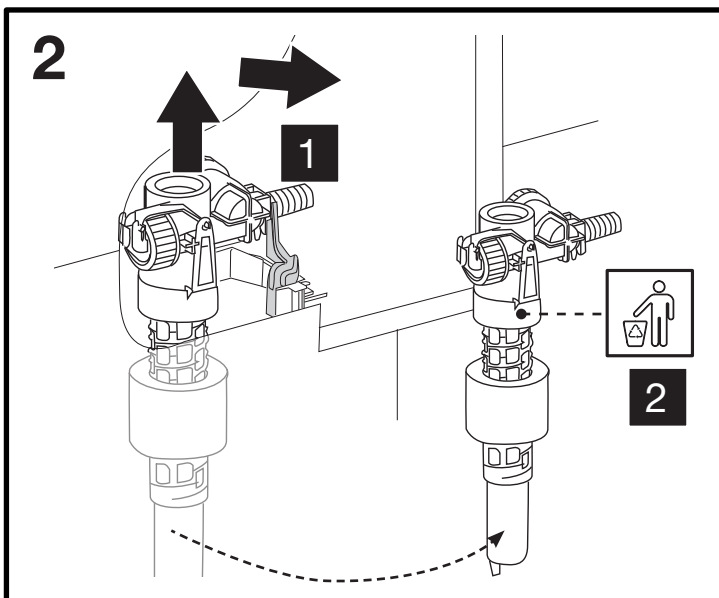
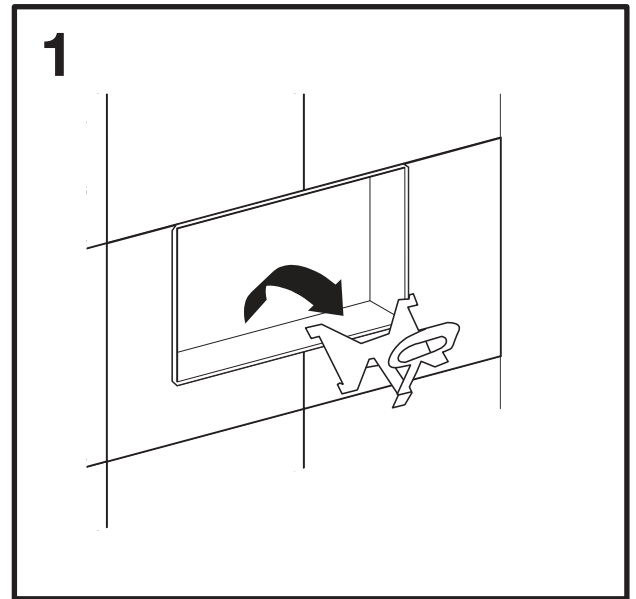
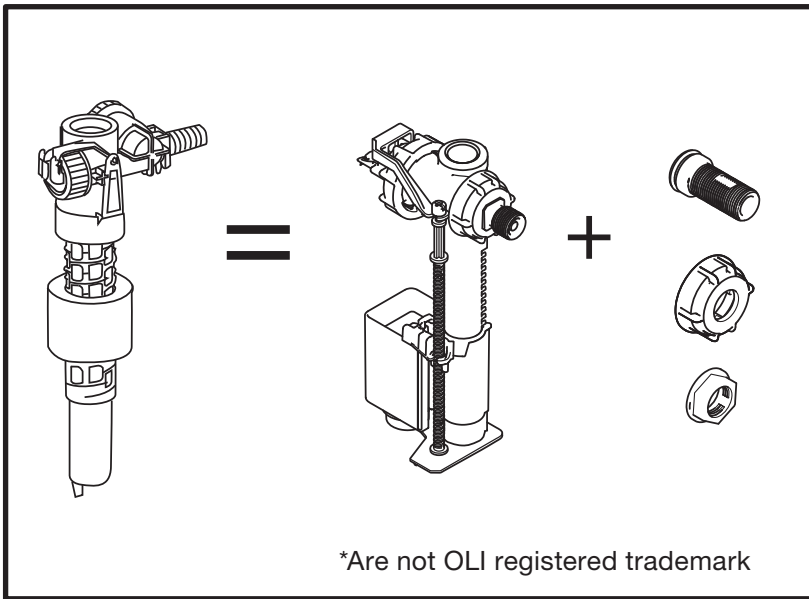
*Are not OLI registered trademark





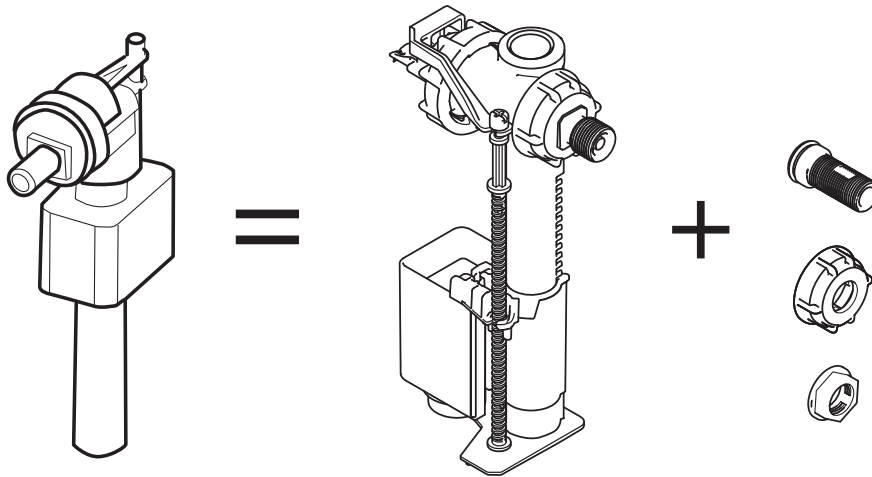
***GROHE® CASSETTA SCIAQUO ITALIANA 80MM**



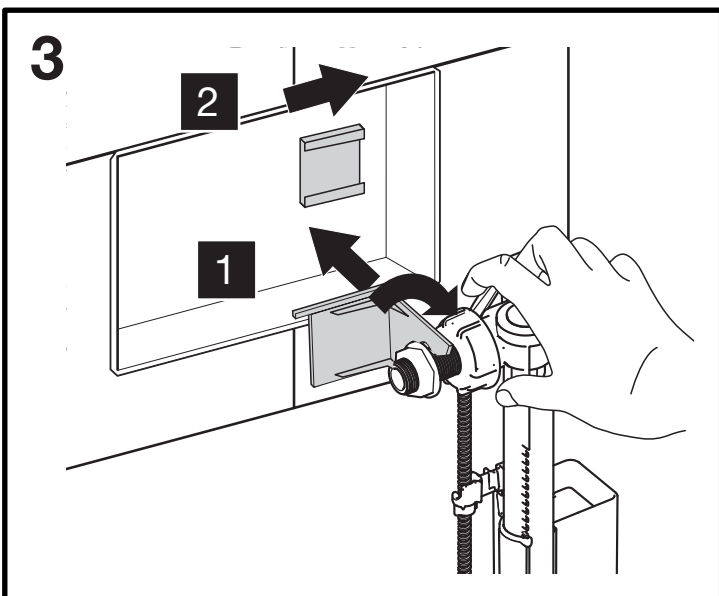
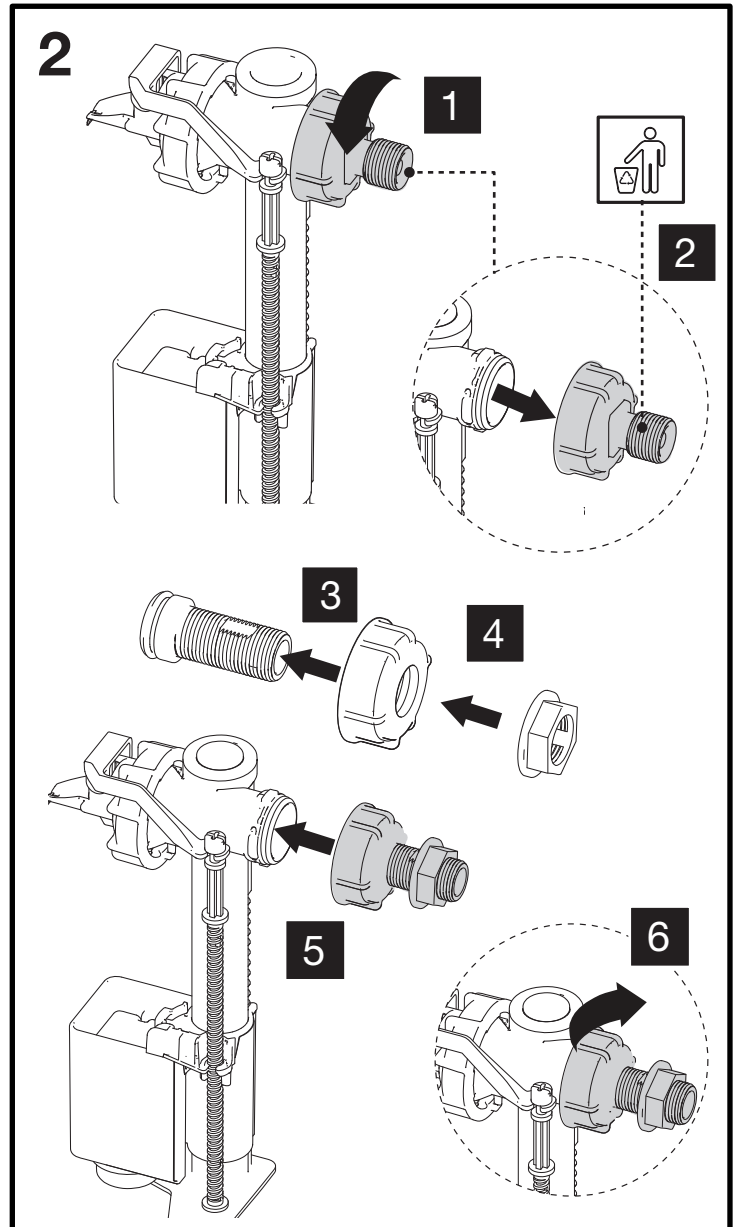
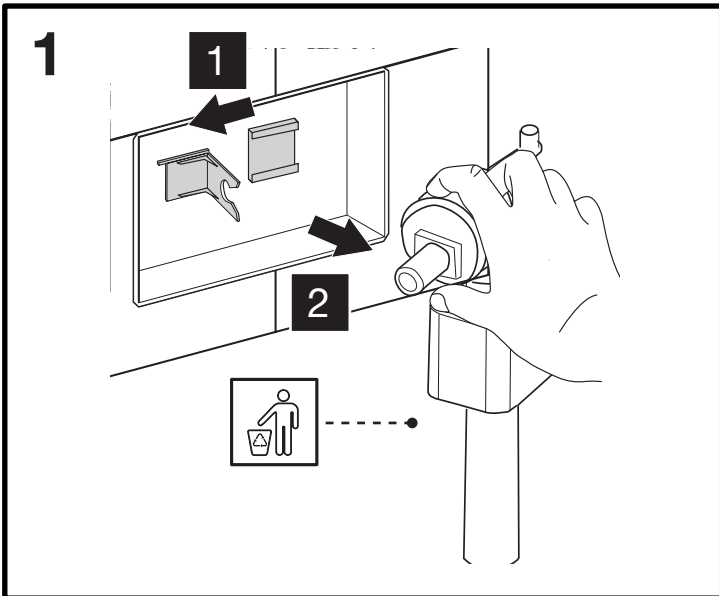




***TECE® BOX BASIC**

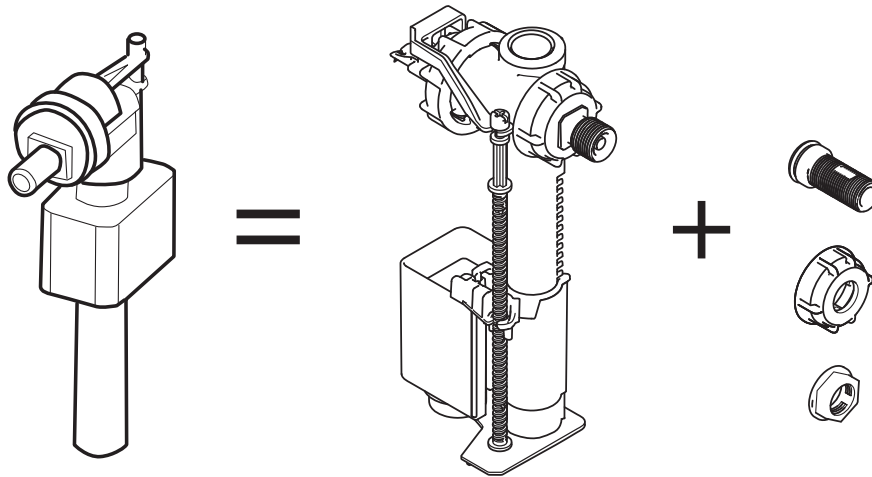


*Are not OLI registered trademark

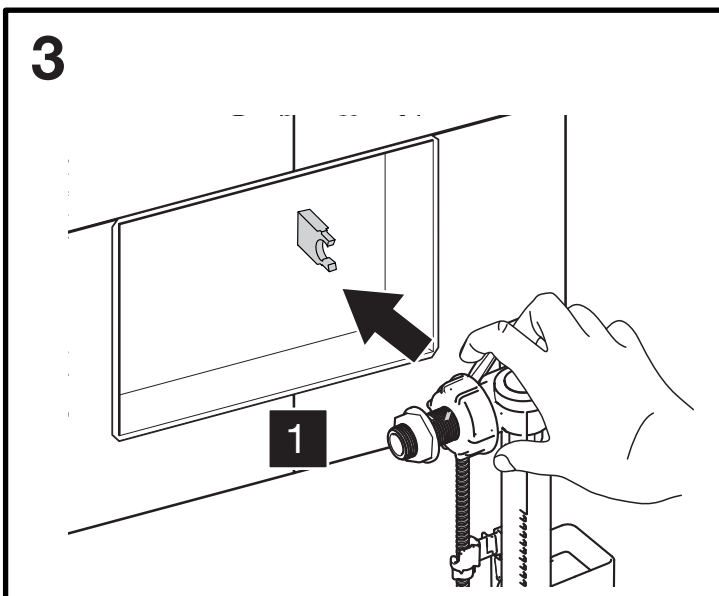
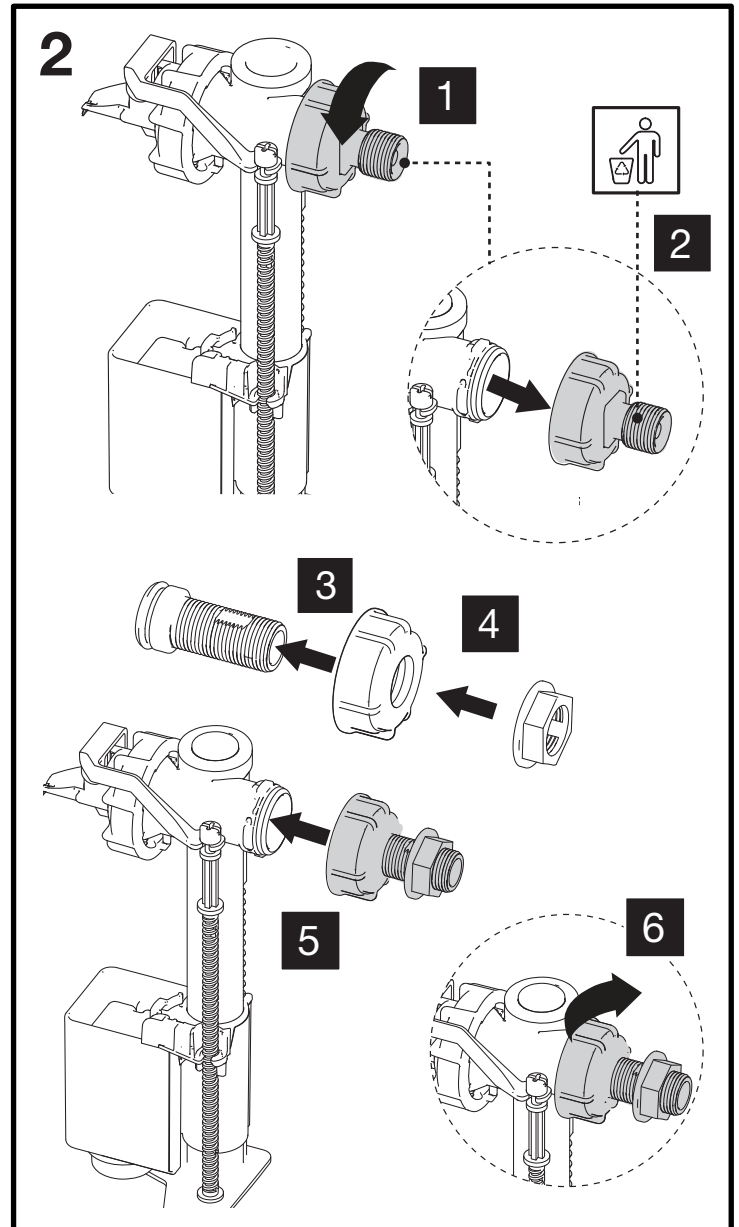
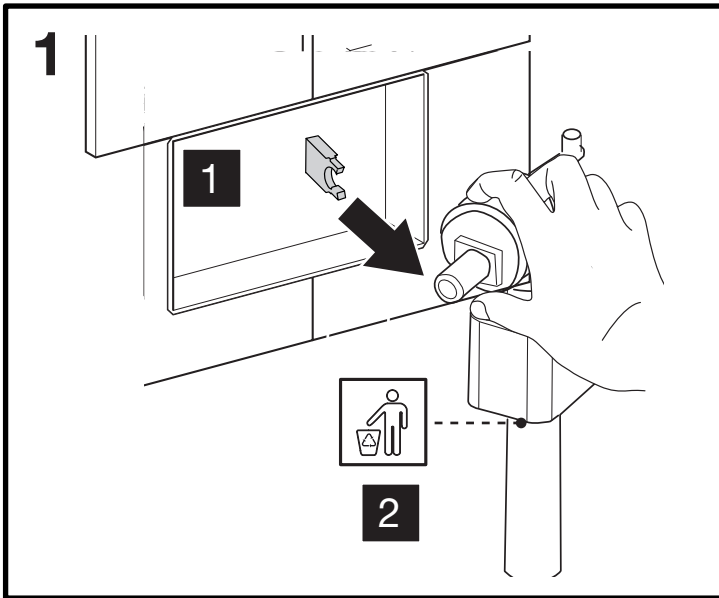




*TECE® TECE 1120

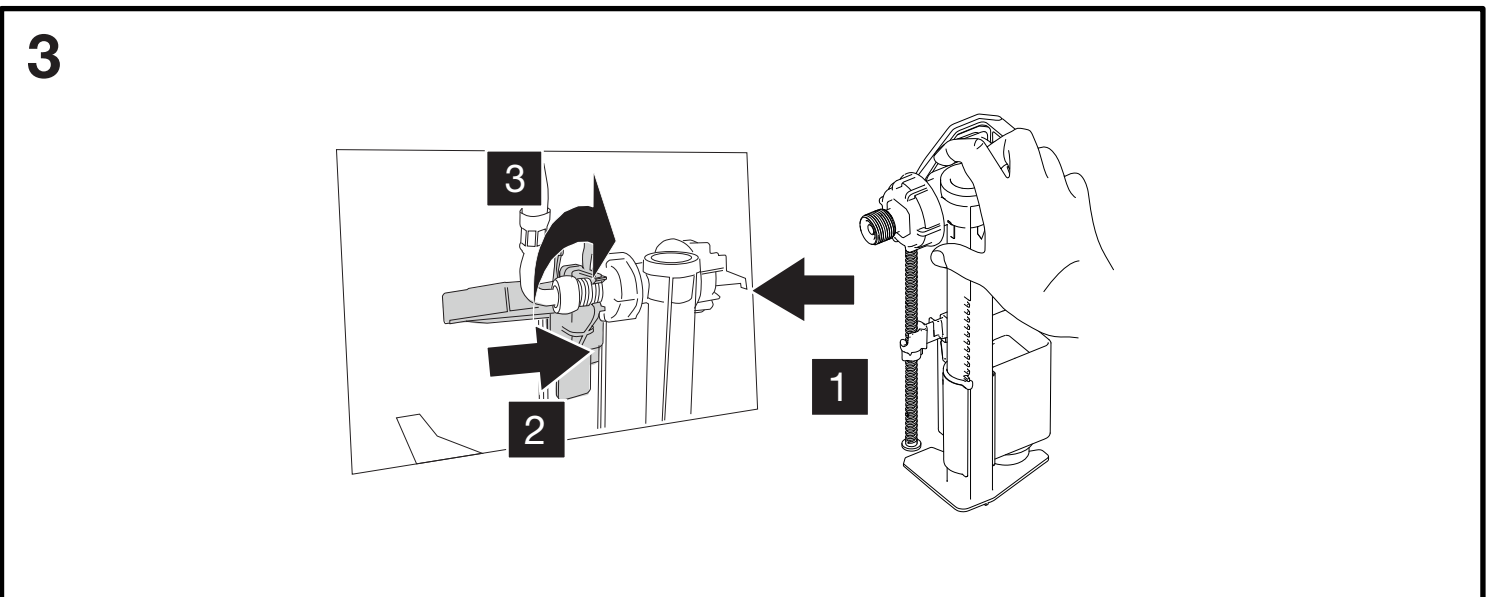
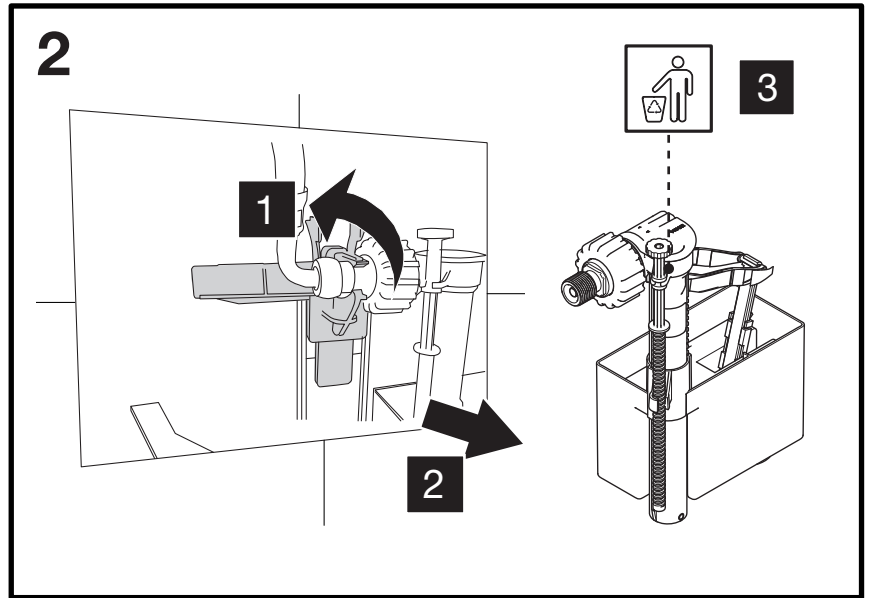
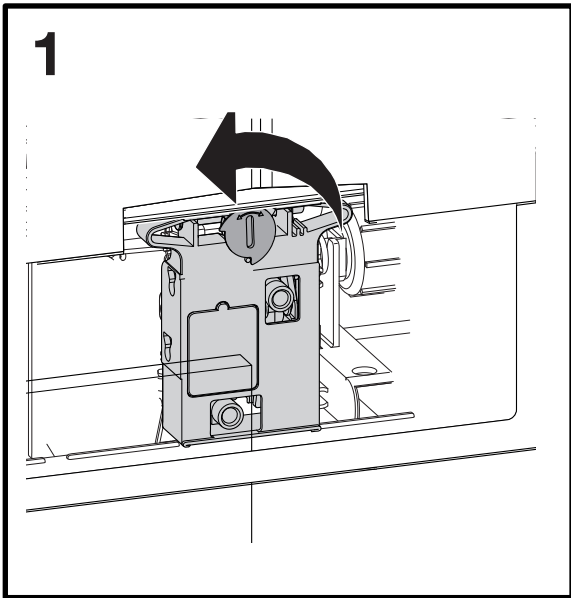
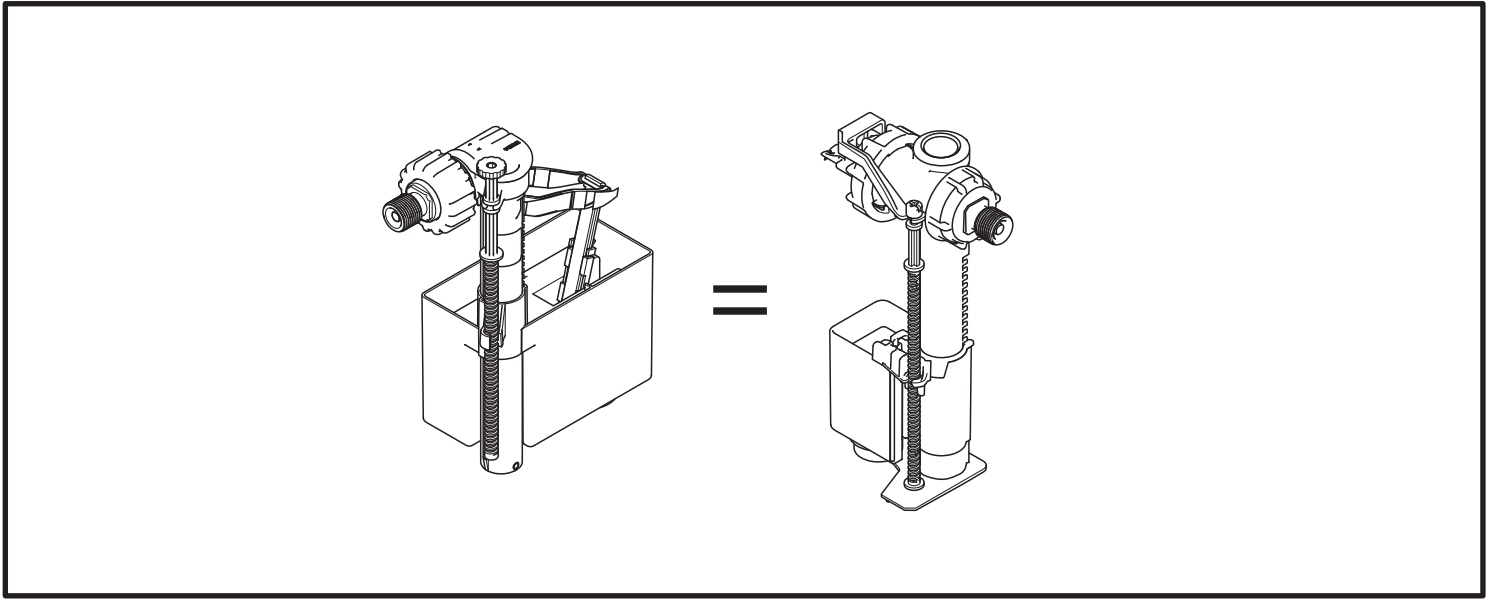


*Are not OLI registered trademark



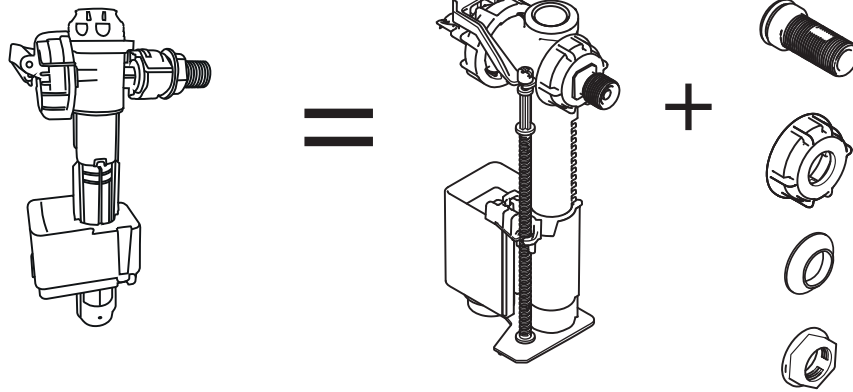


*VIEGA® ECO PLUS

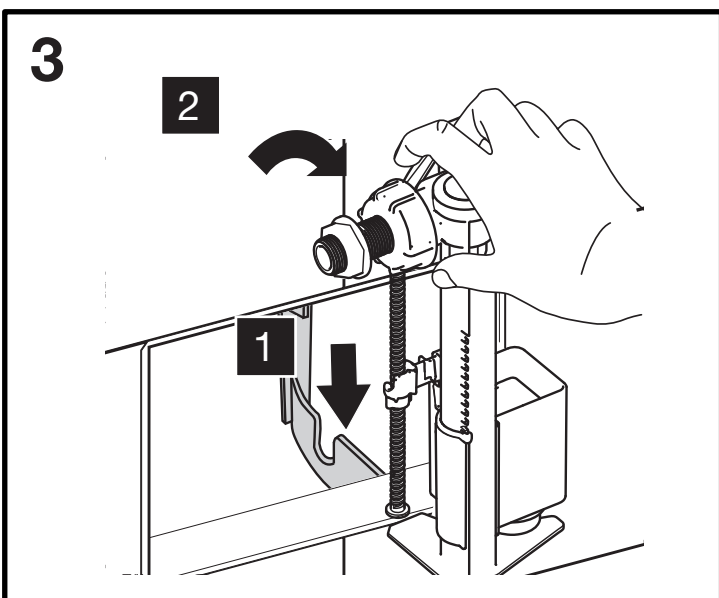
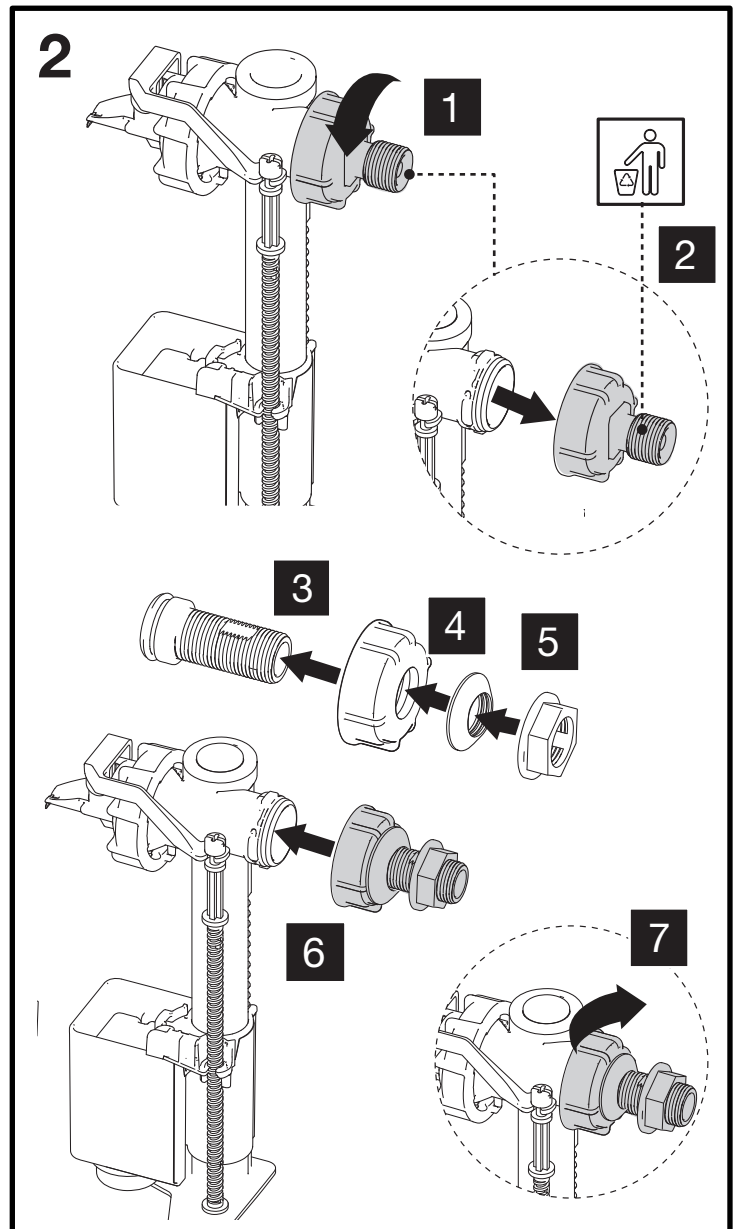
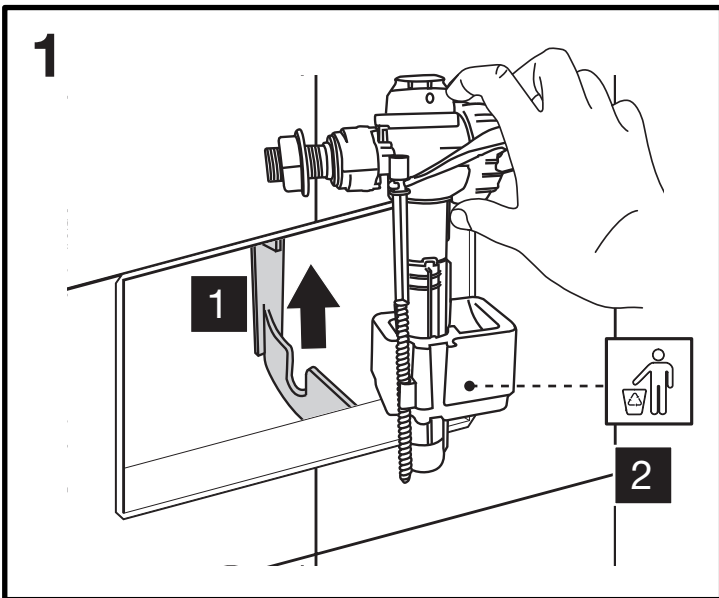




*ITS TODINI® HIDROBOX

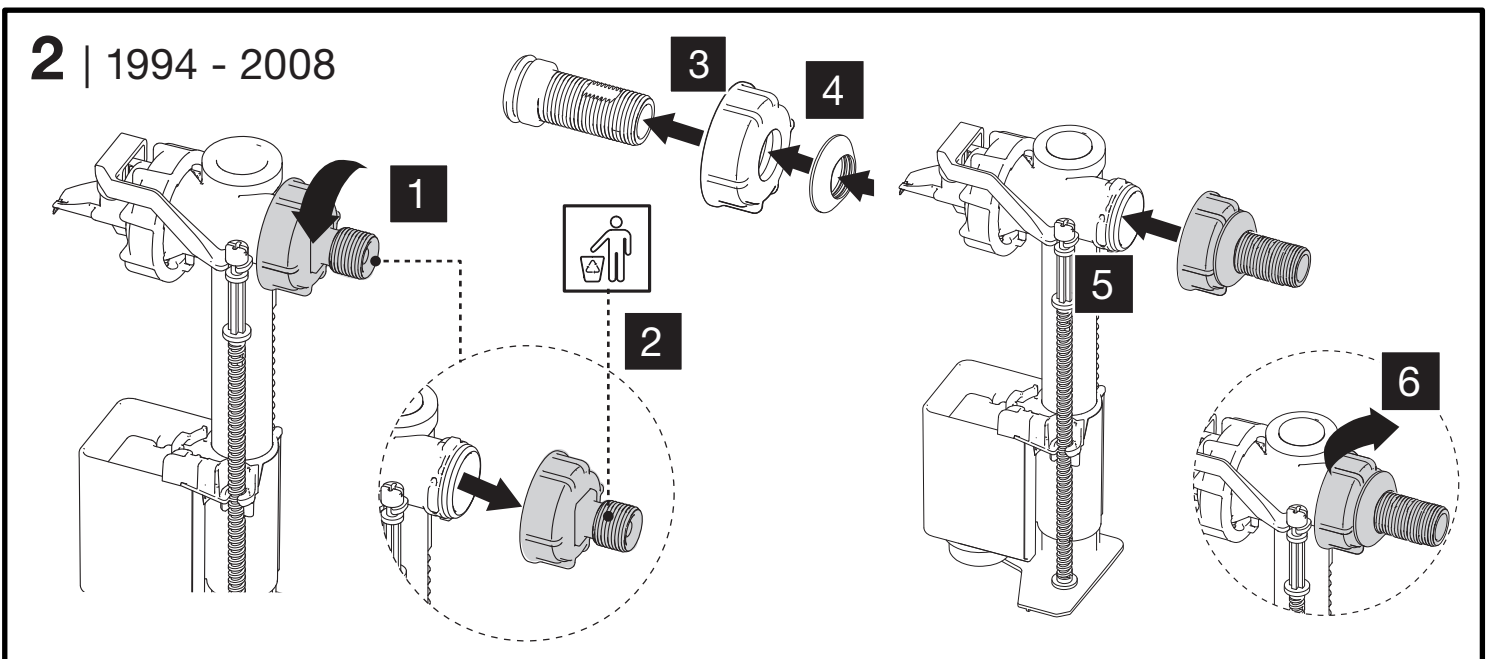
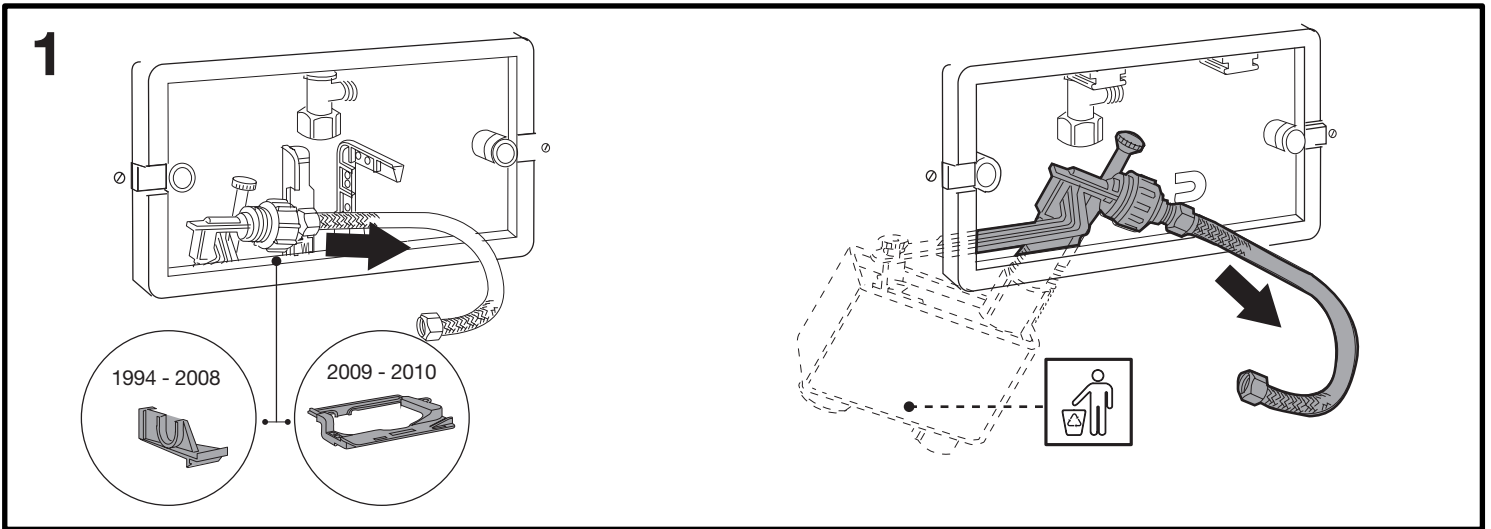
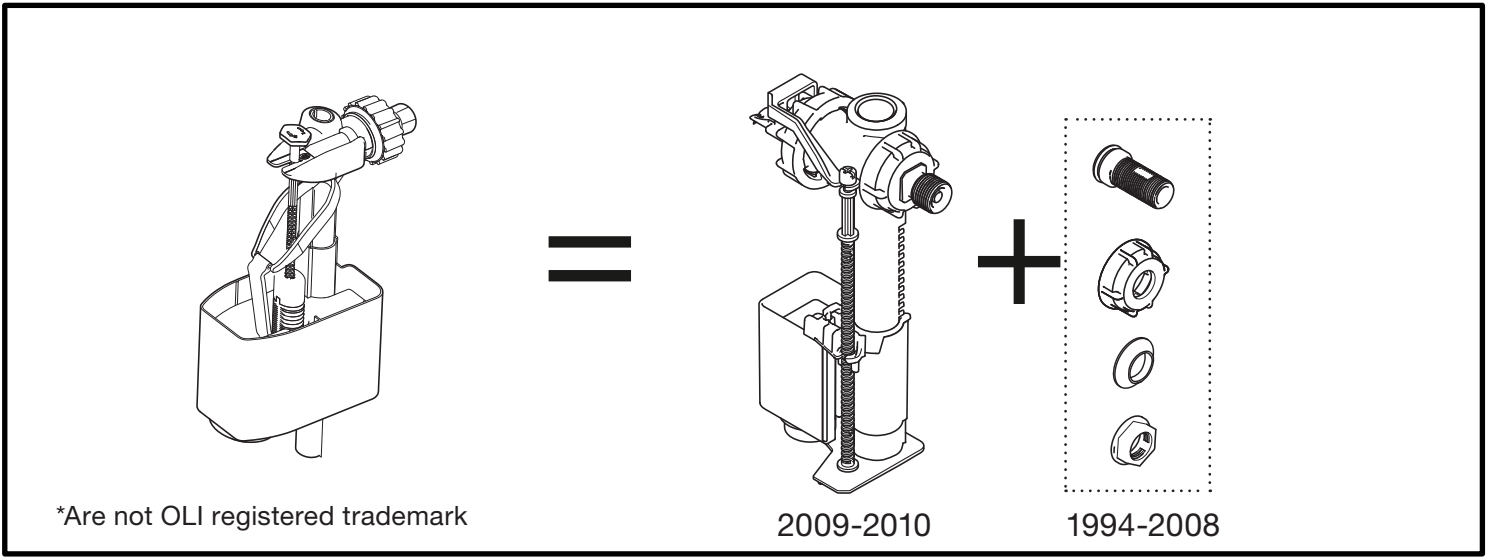
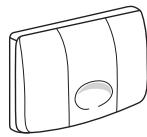


*Are not OLI registered trademark

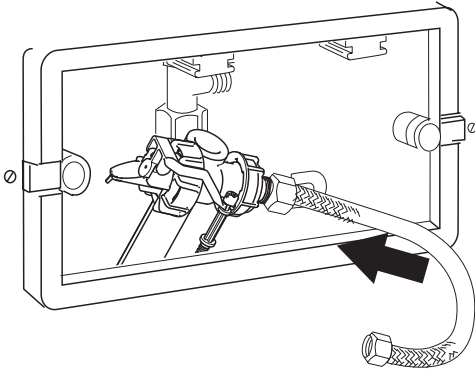




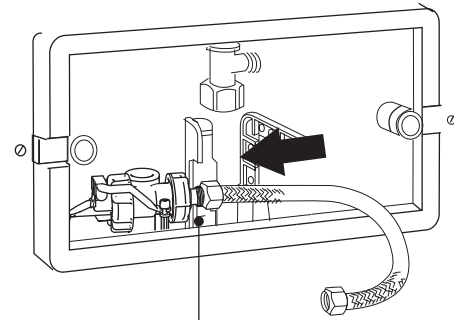
*VALSIR® MEDUSA



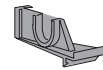
3



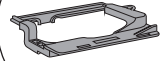
4



1994 - 2008

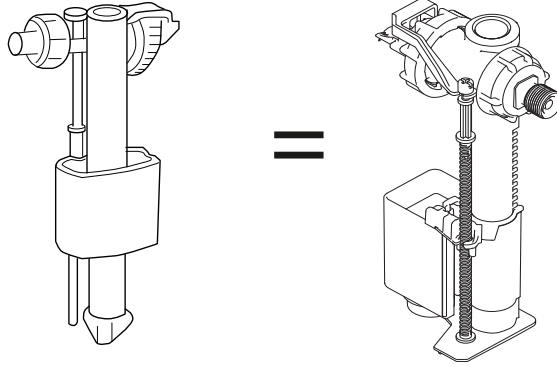
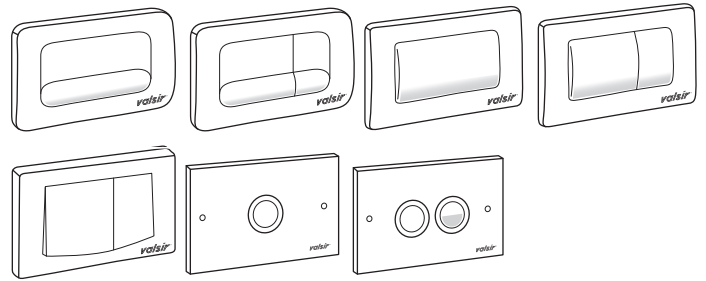


2009 - 2010



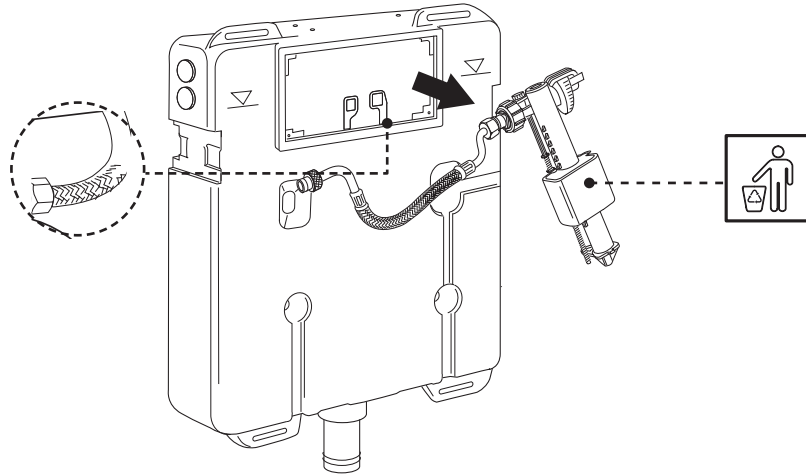


*VALSIR® TROPEA-TROPEA 2 (2004-2012)

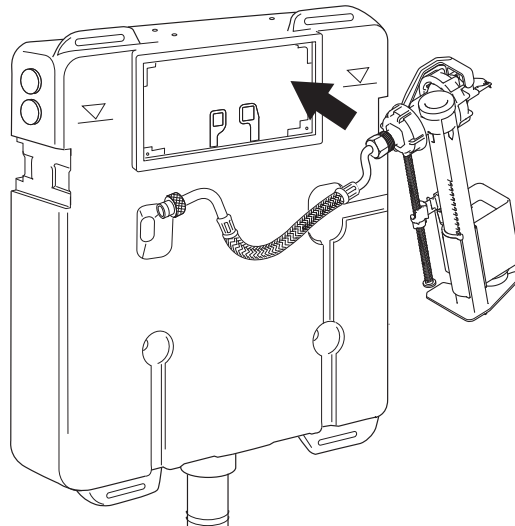


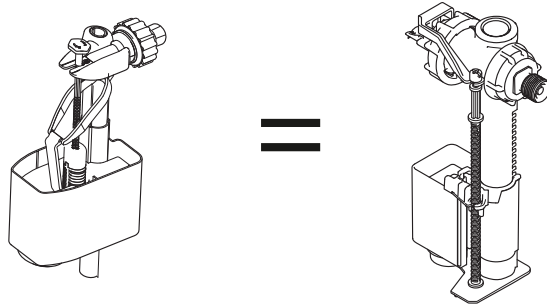
*Are not OLI registered trademark

1

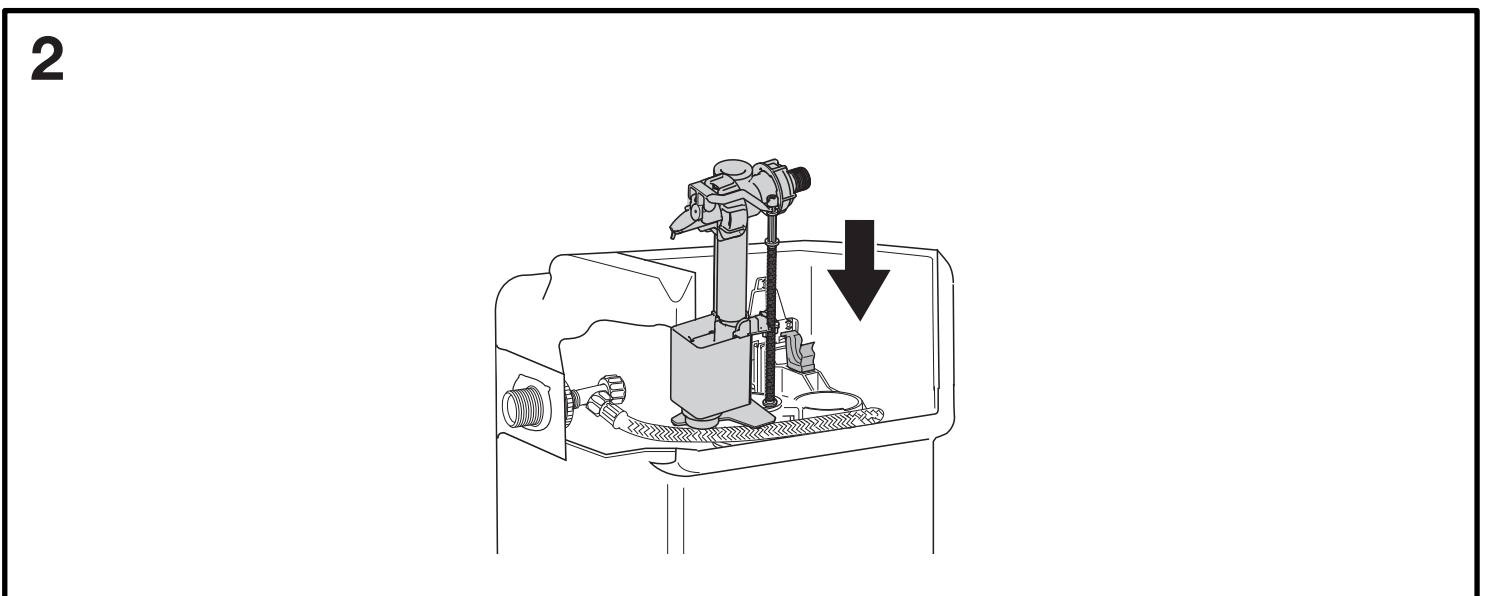
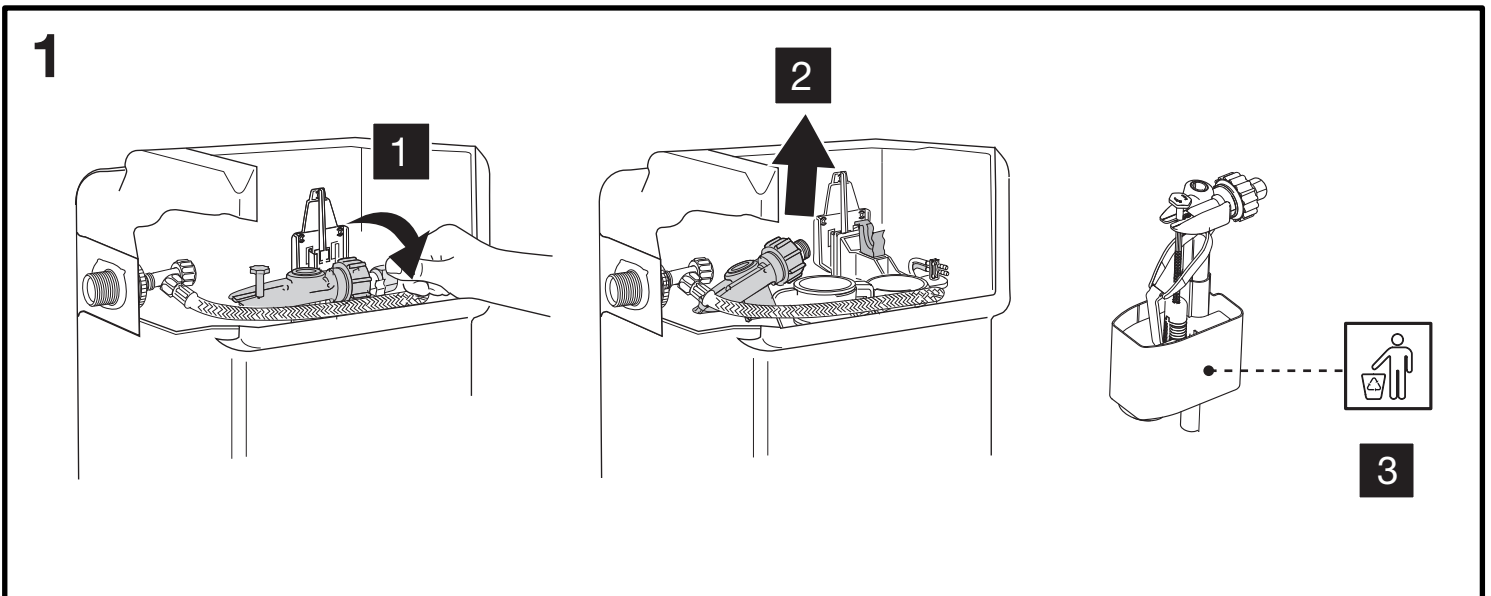


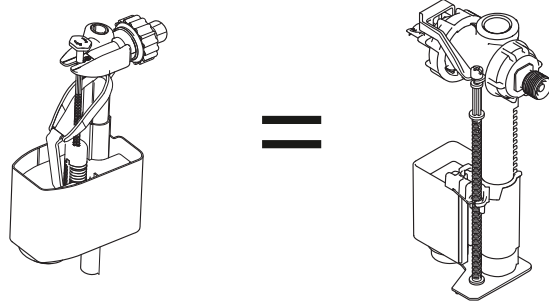
2





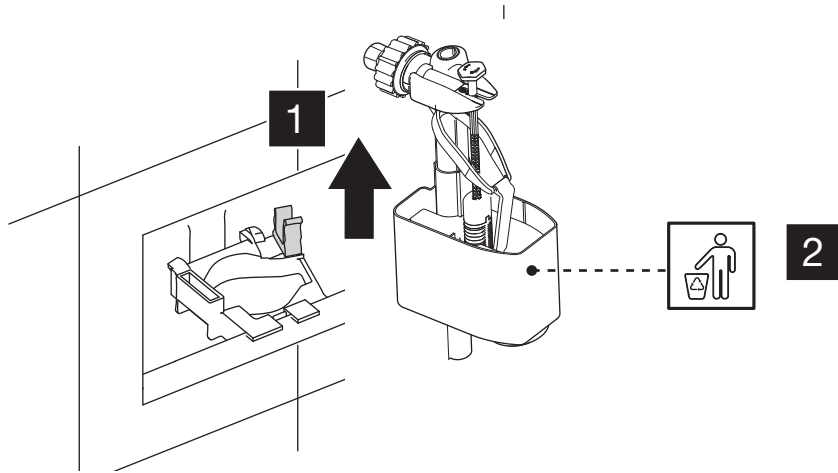
*Are not OLI registered trademark



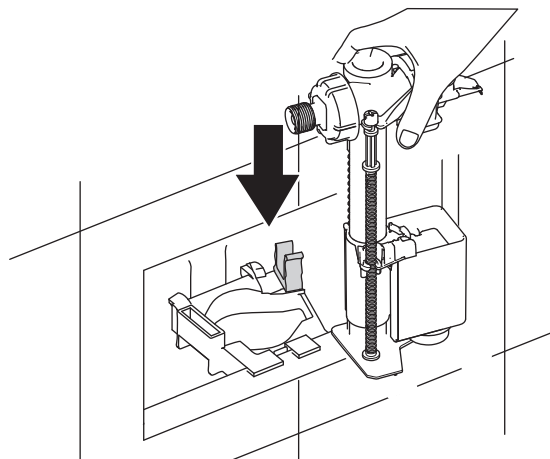


*Are not OLI registered trademark

1

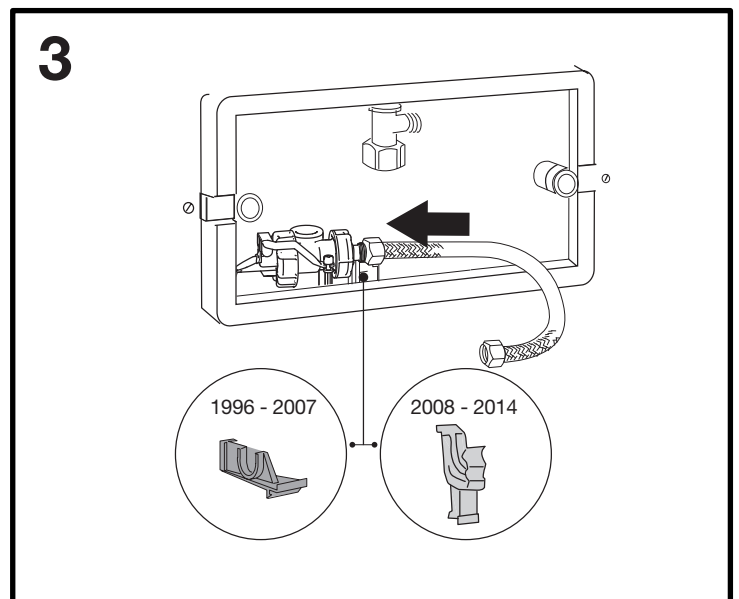
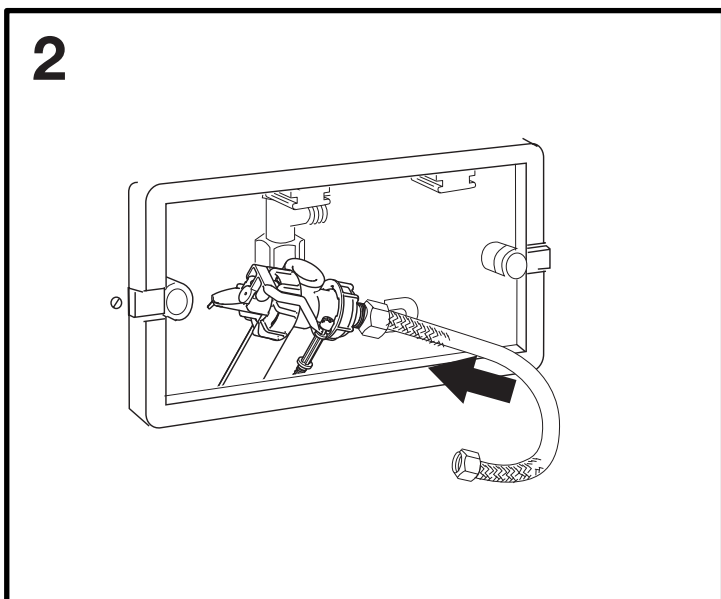
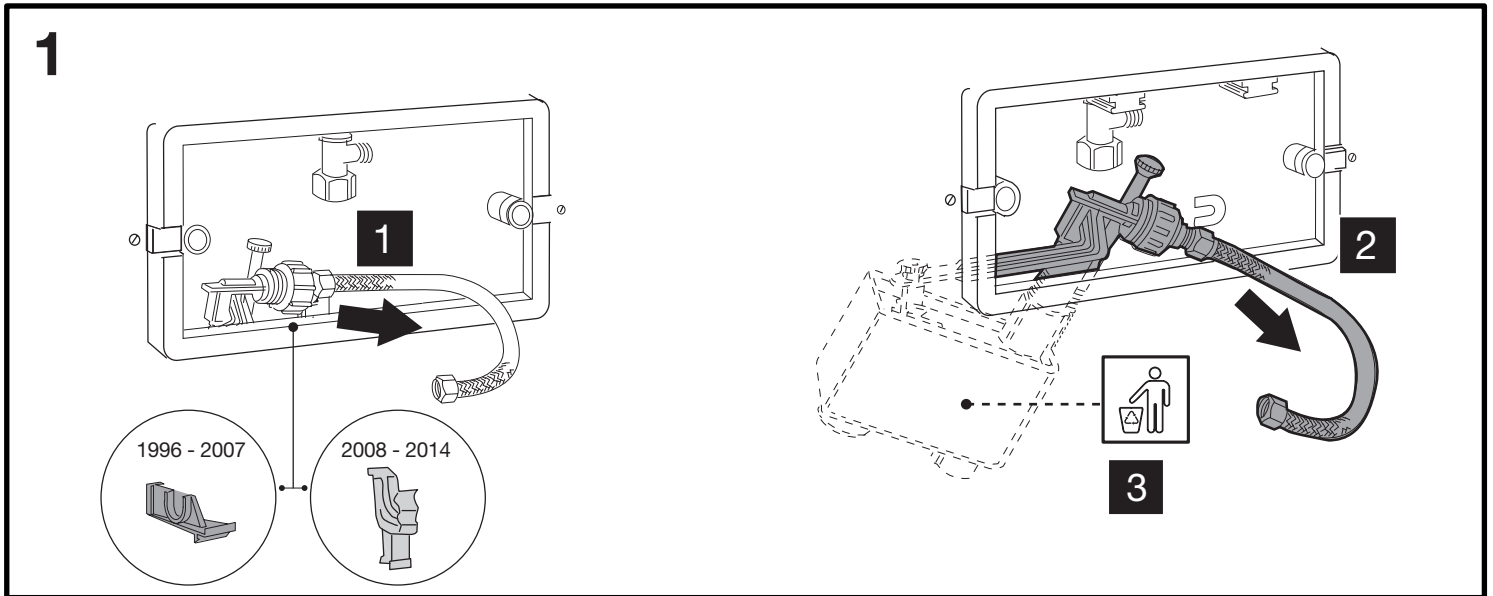
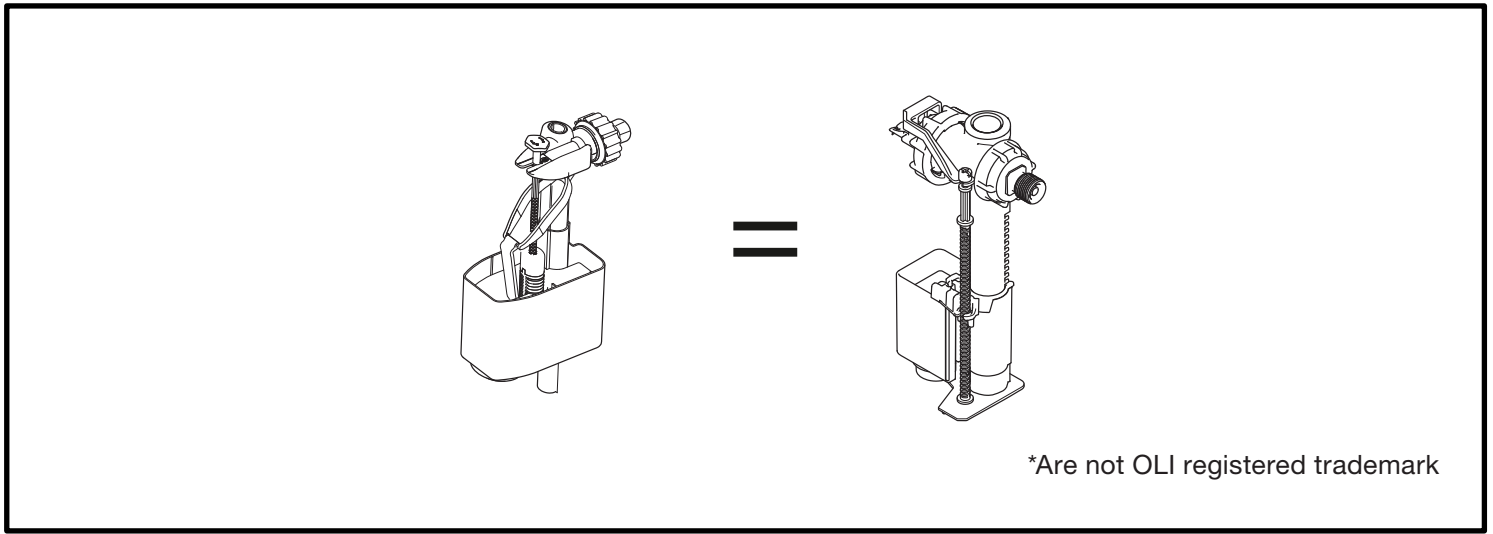
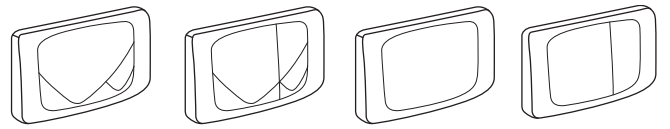


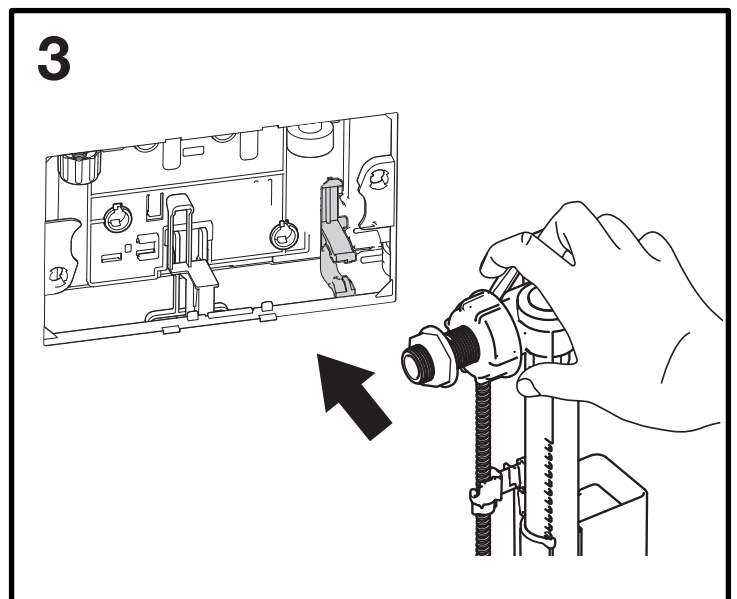
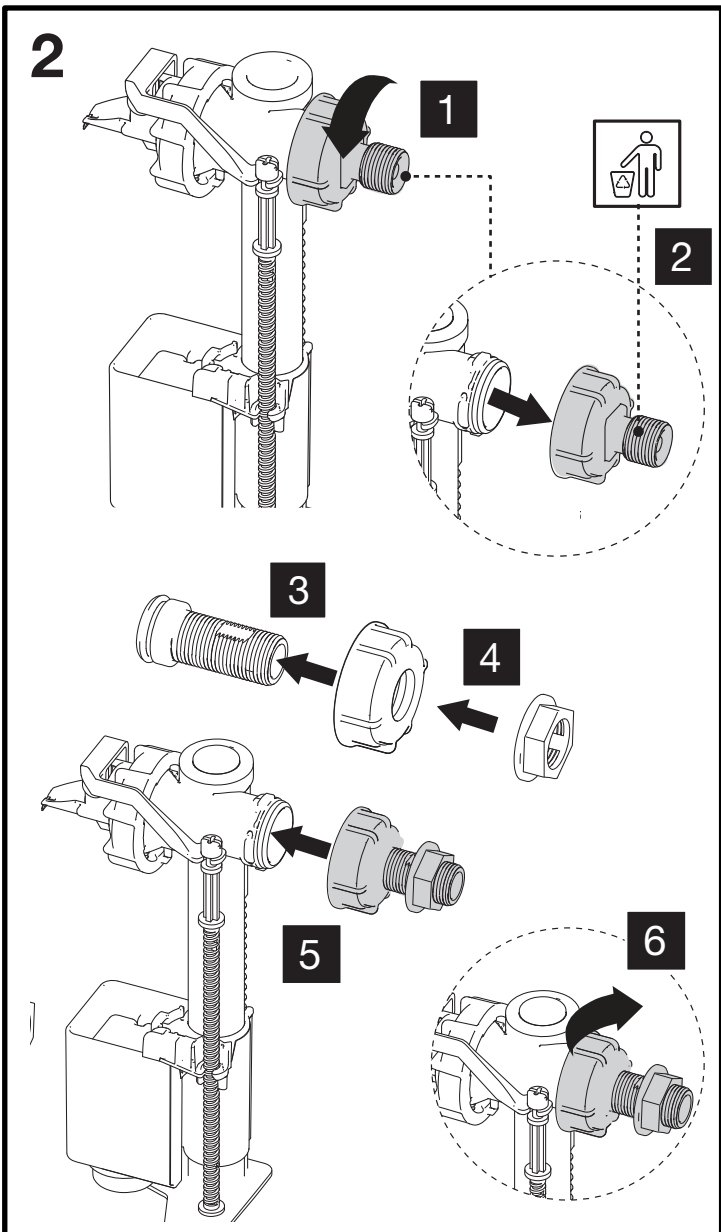
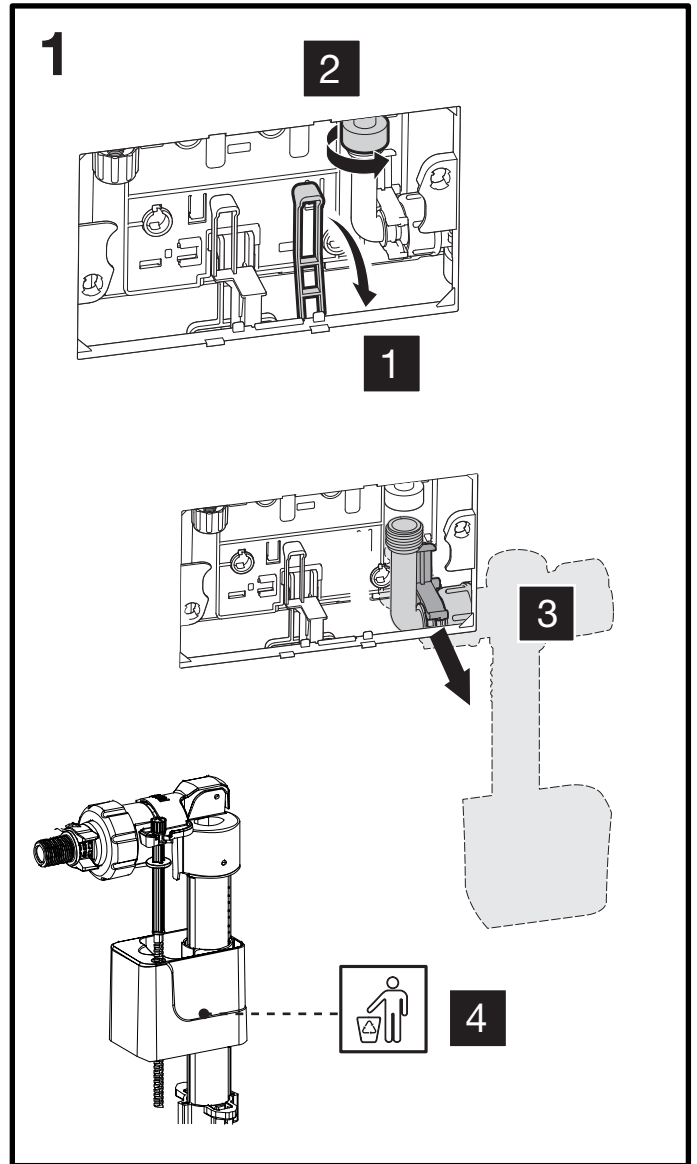
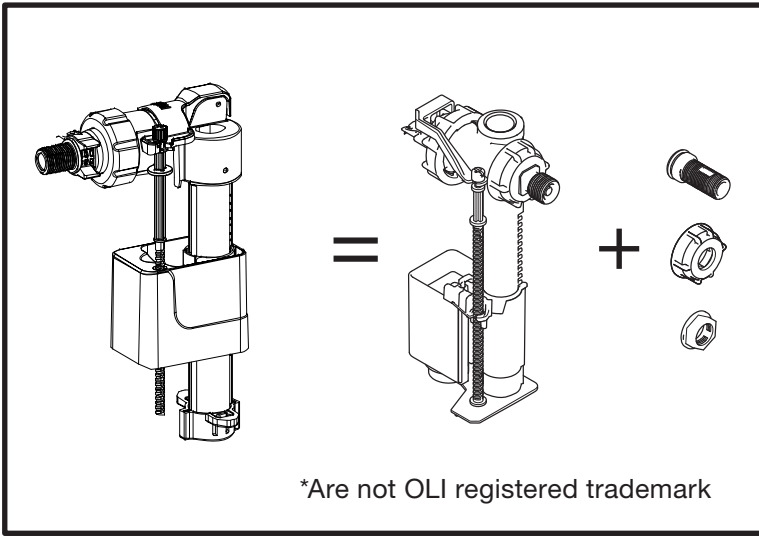
2





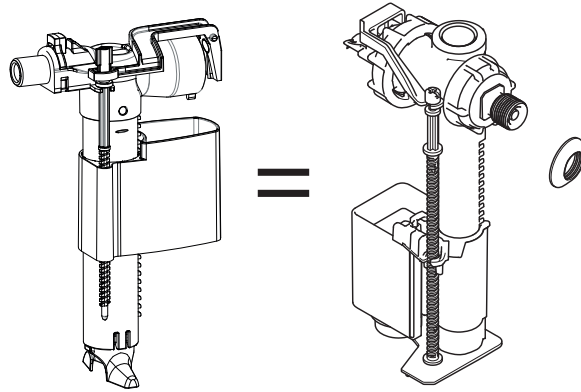
*VALSIR® RIOS | RIOS2 | EVOLUT
| ANGEL



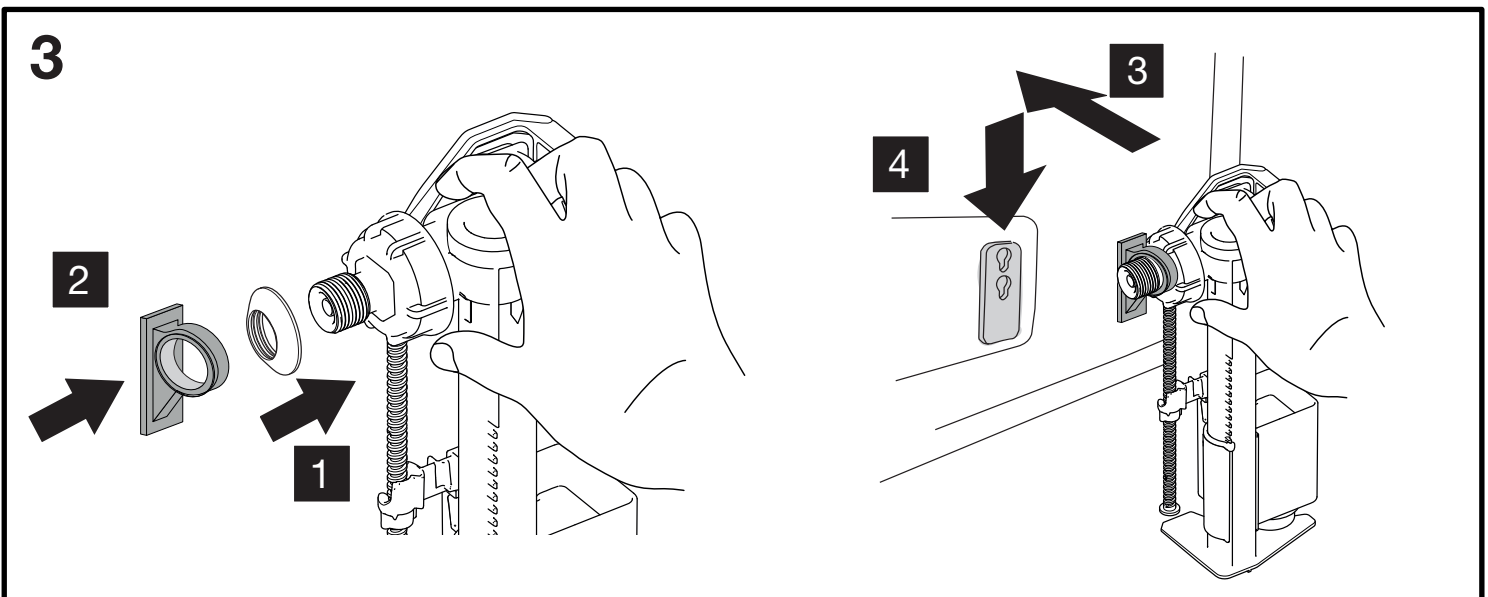
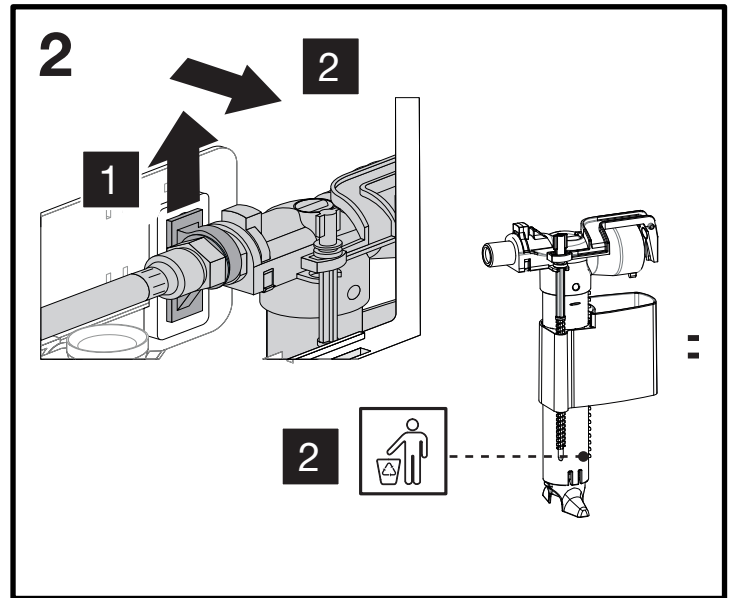
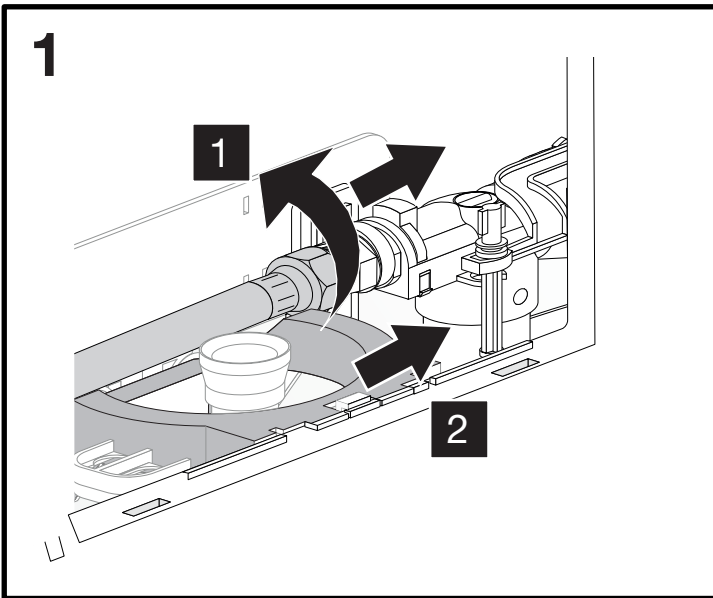




***ROCA® BASIC ONE WC COMPACT**

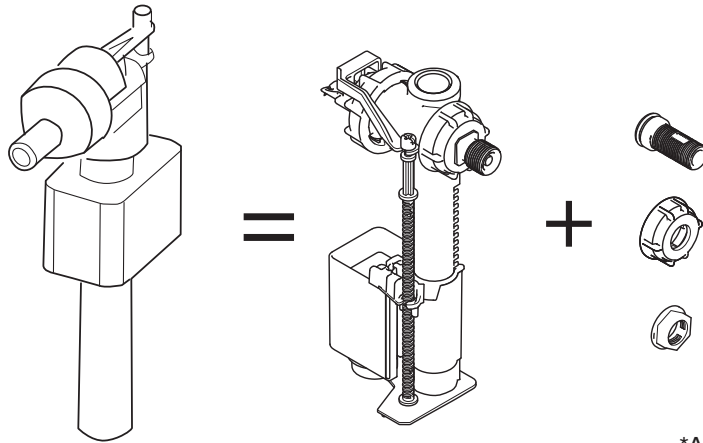


*Are not OLI registered trademark

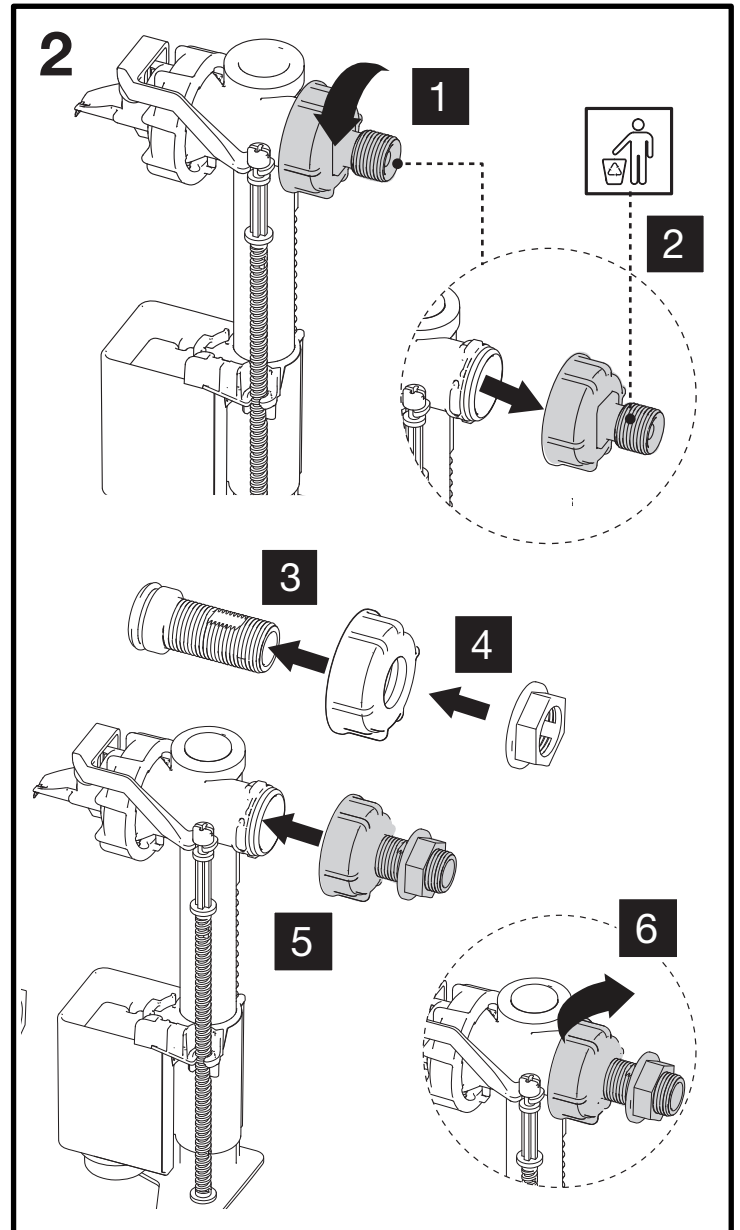
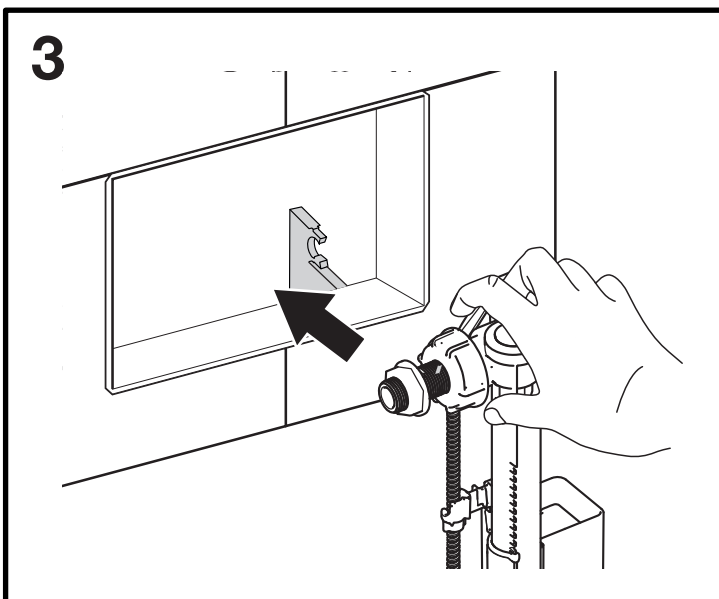
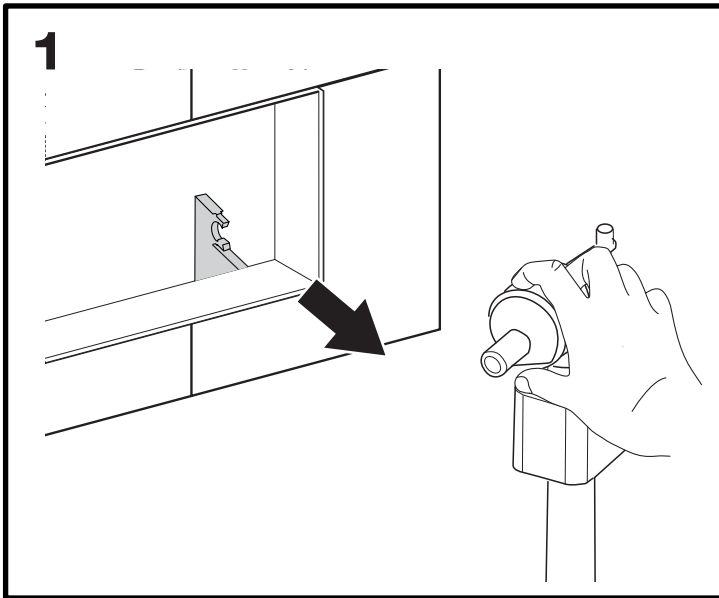




*DURAVIT® DURASYSTEM 115CM

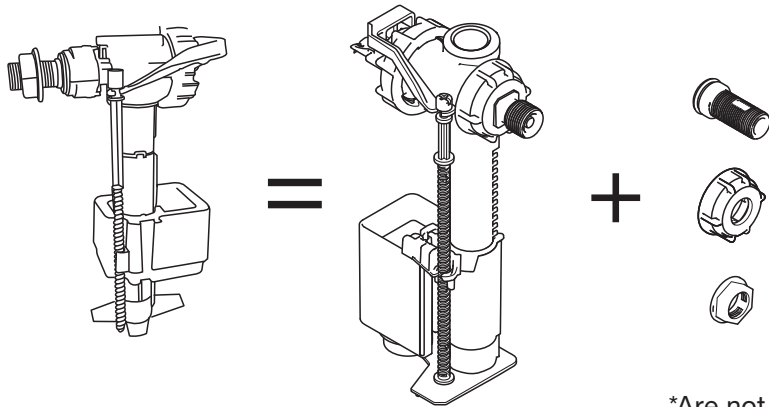


*Are not OLI registered trademark

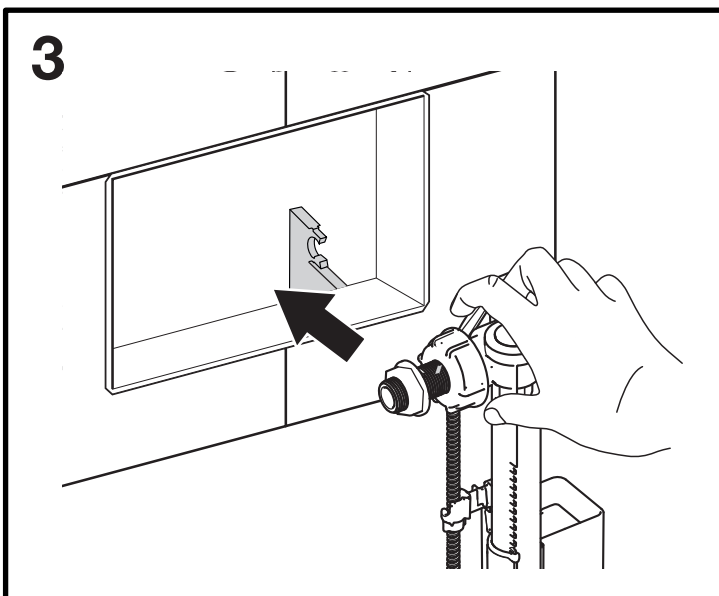
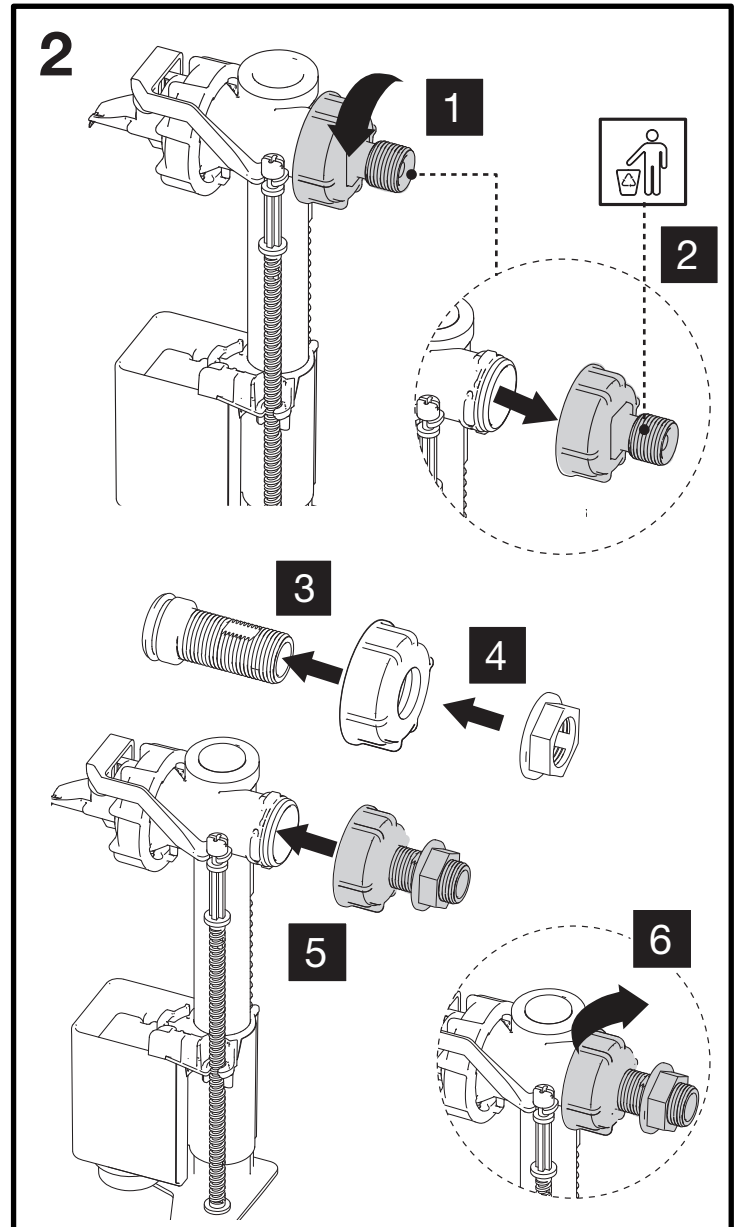
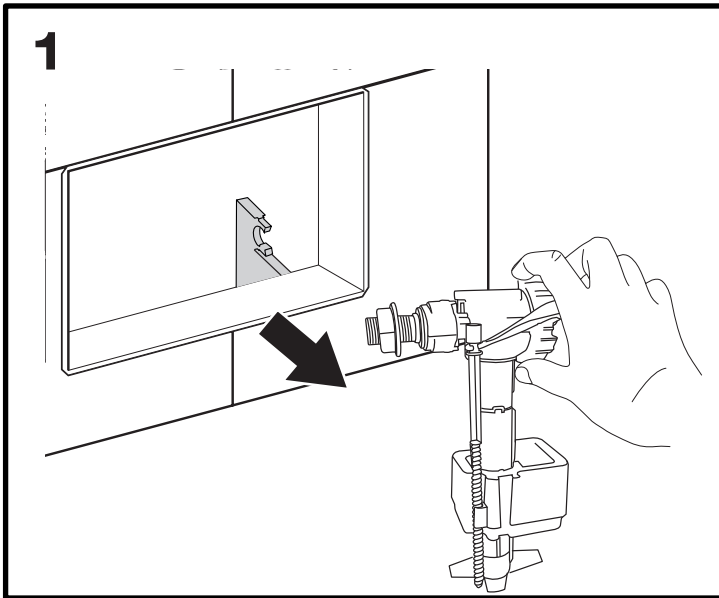




*MEPA® VARIVIT

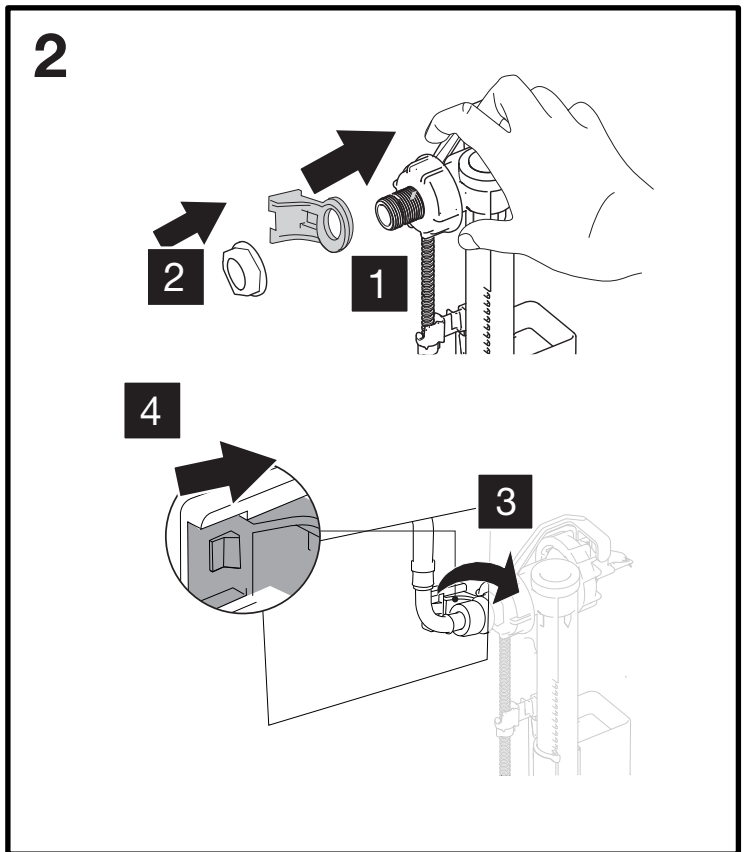
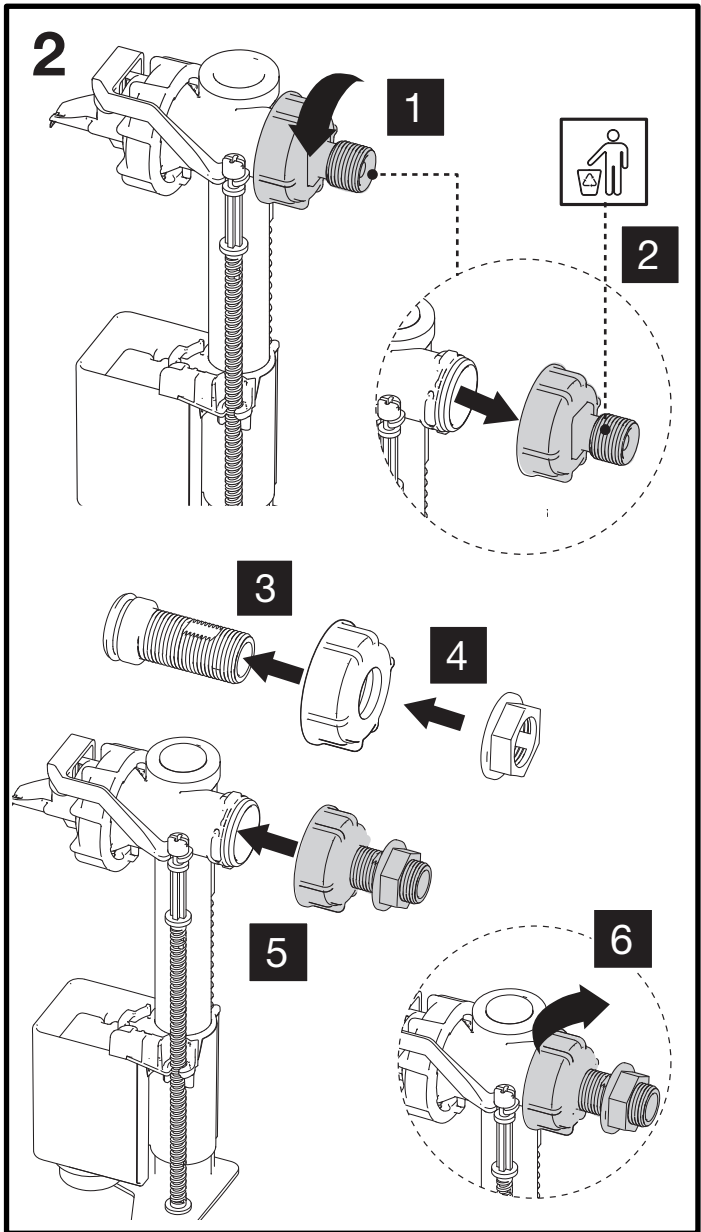
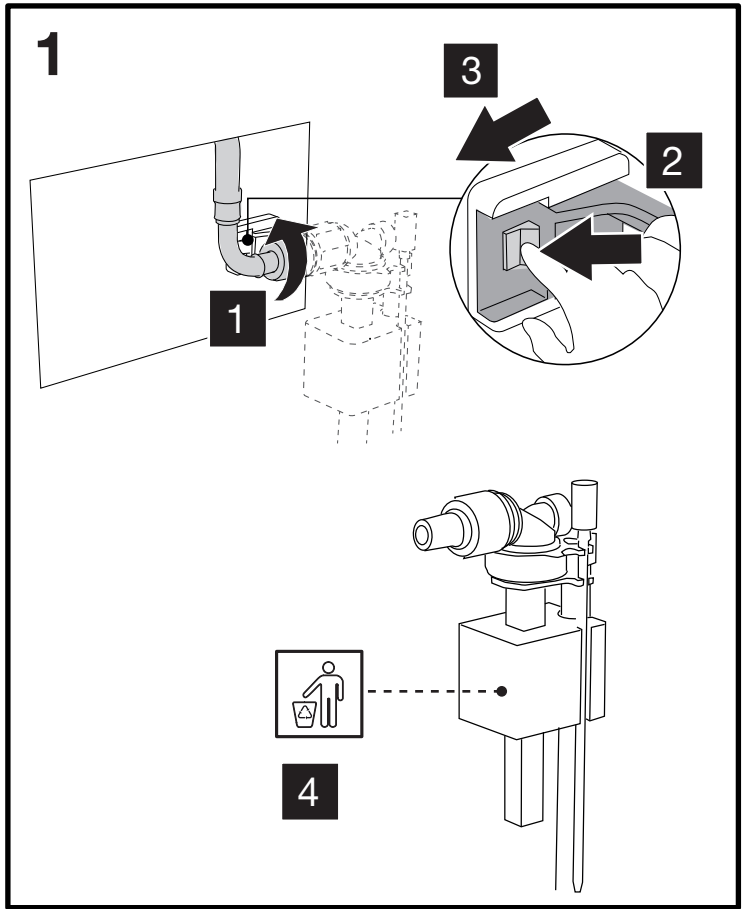
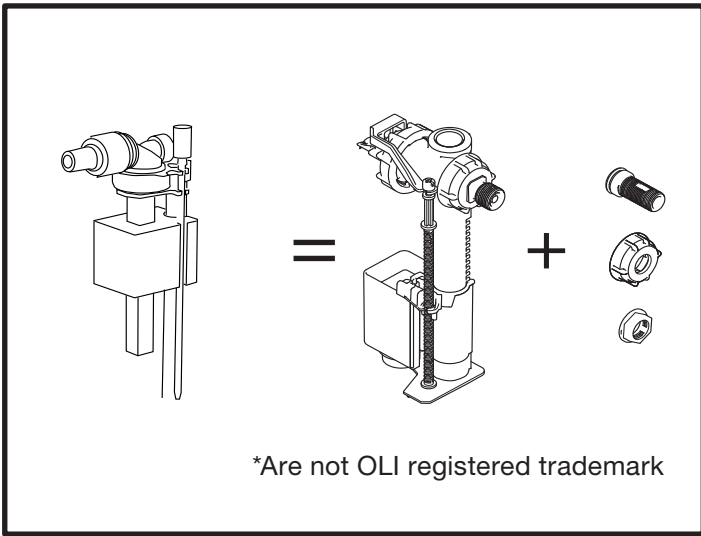


*Are not OLI registered trademark



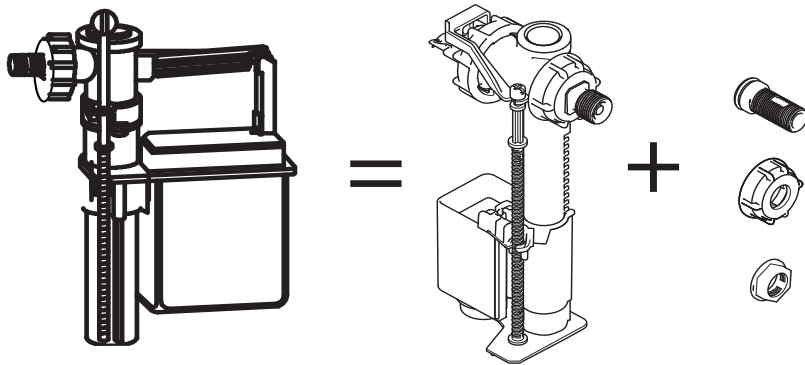


*BAMPI® BSILENT

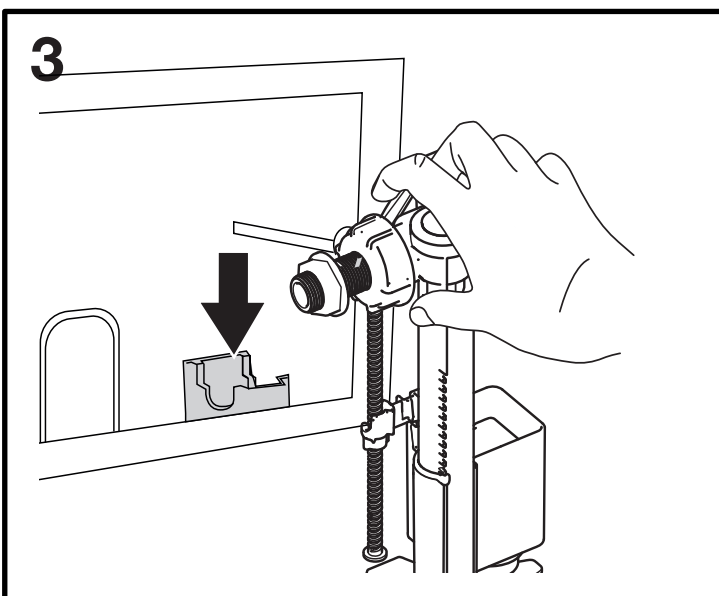
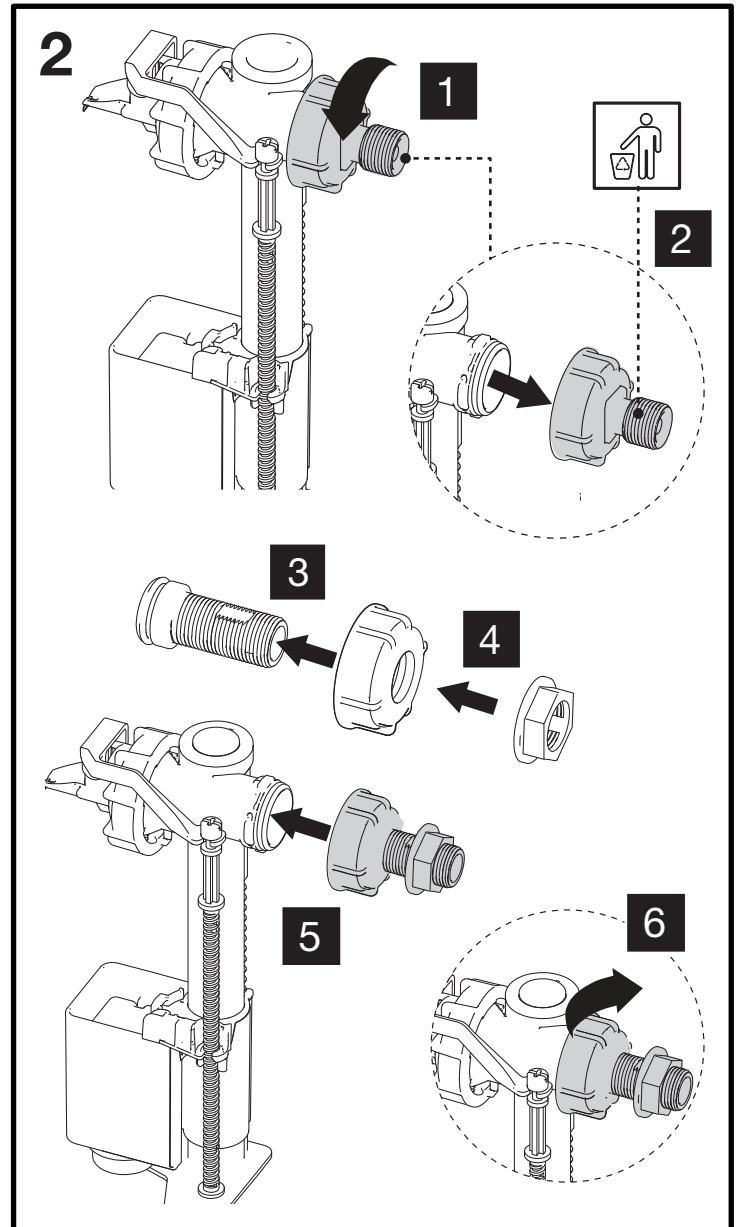
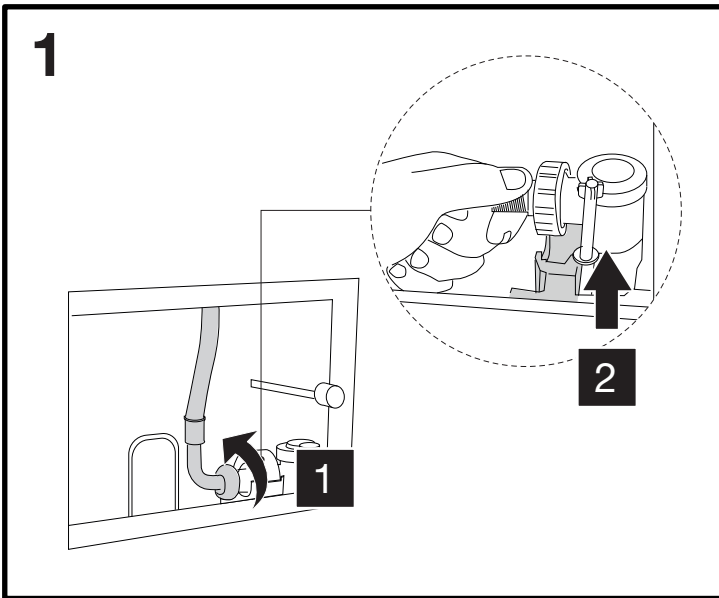




*KARIBA® PRATIKA

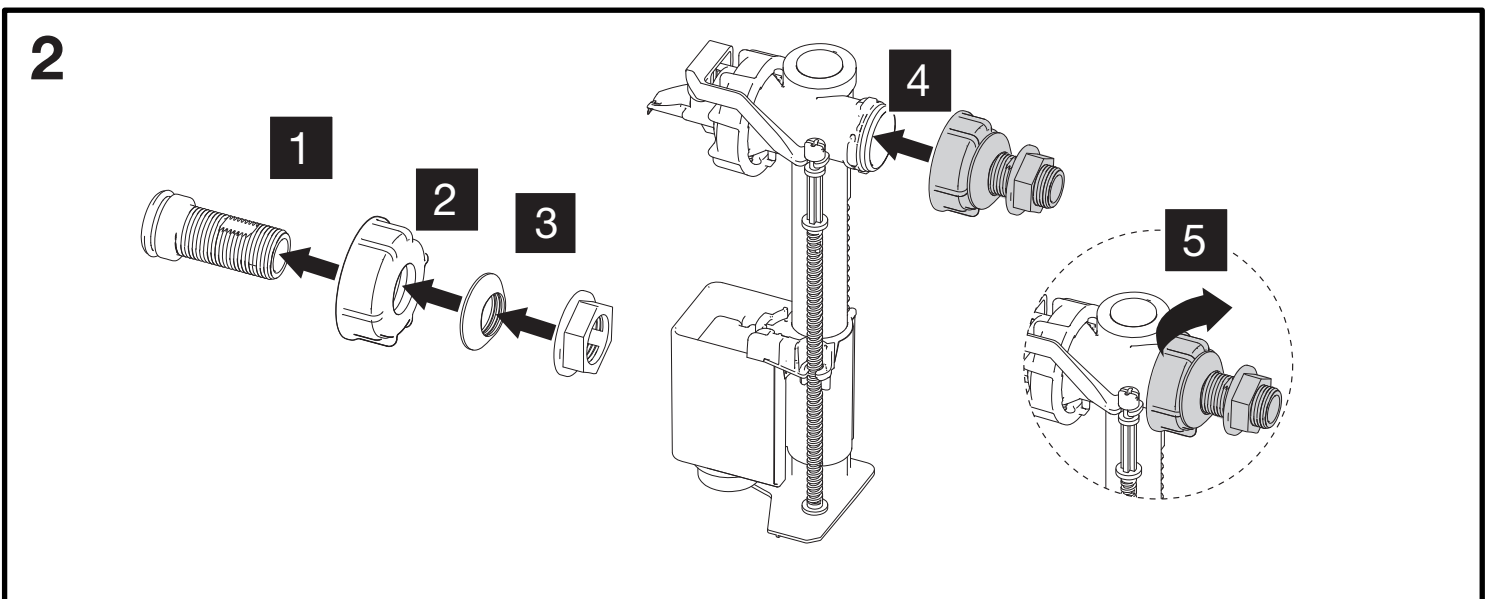
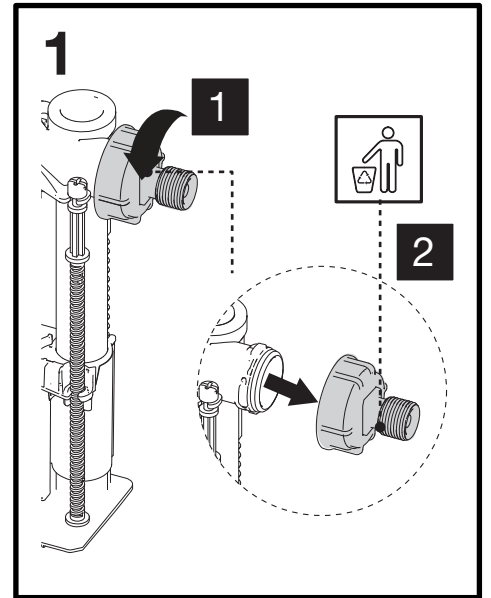
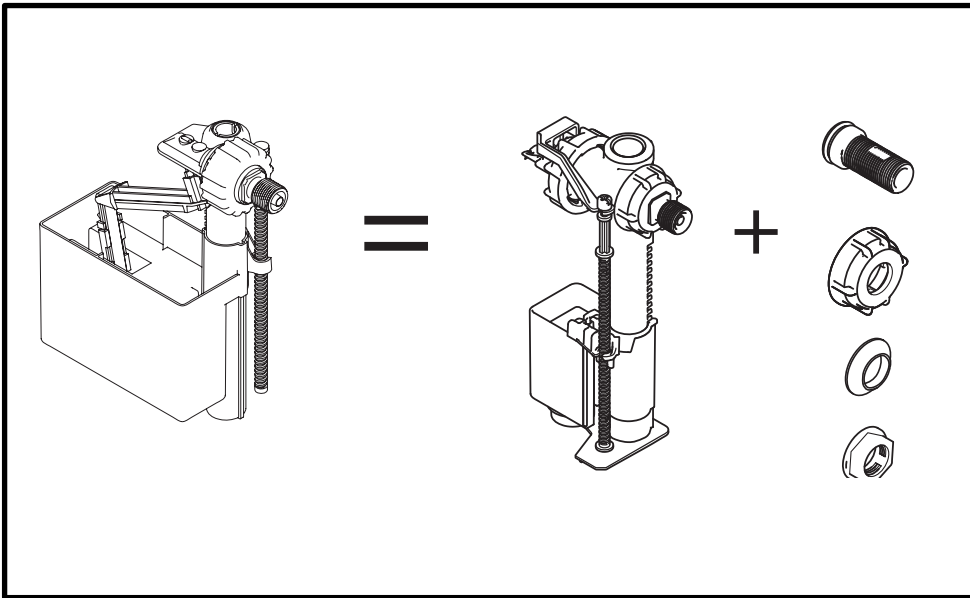
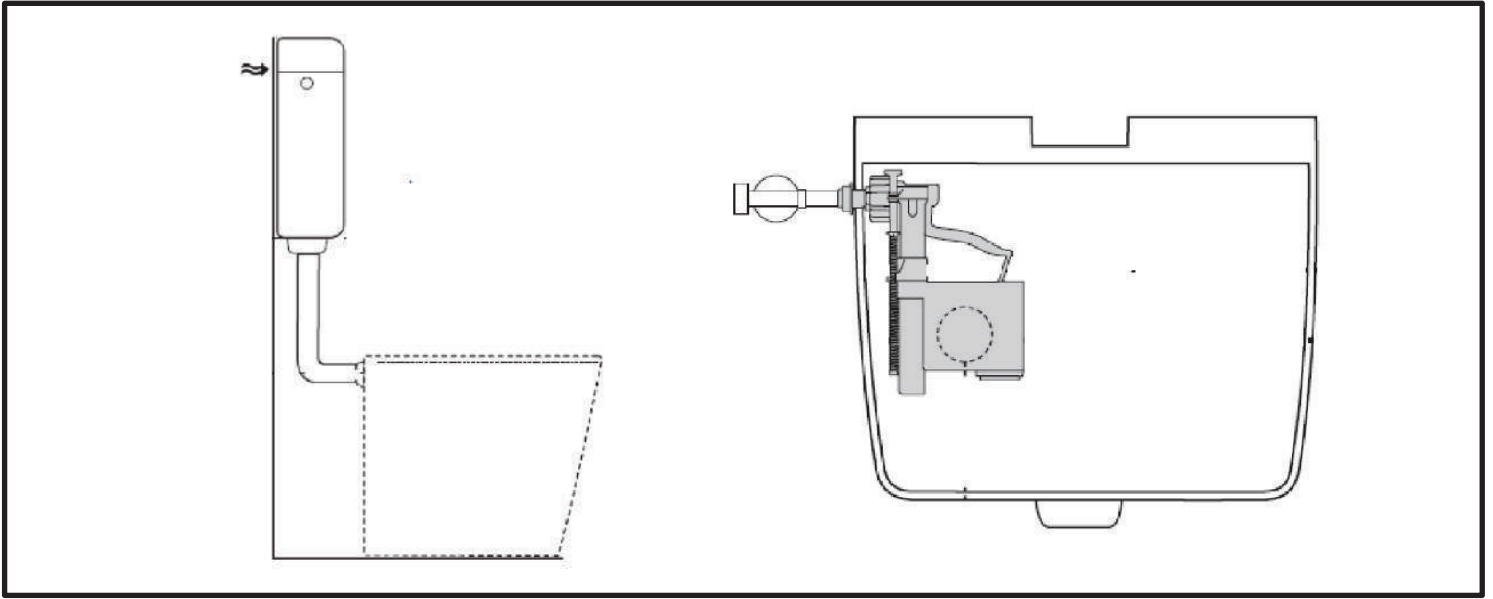


*Are not OLI registered trademark





CASSETTA ESTERNA | EXPOSED CISTERN





CASSETTA IN CERAMICA | CERAMIC TANK

