

# FLAT MOP

HAND WASH FREE

ITEM:M2  
INSTRUCTIONS



MADE IN CHINA



## PRODUCT DESIGN FEATURES

This product is suitable for floor/floor tile/ glass surface, cleaning in various environments difficult to clean corners. (Hotels, restaurants, shopping malls, offices, supermarkets, hospitals, schools, and business and entertainment places)

The ability to mop the floor with one hand without bending over and take care of it makes housework easier. Push and pull extruding water device, one step scraping, hands free washing, save time, worry and effort. The new twist chenille yarn mop has strong adsorption power and can control dry and wet feel. Ultra- thin square drag board, into the bottom of the low bed sofa bottom, can play with ease, not dirty. 360 rotating head thin drag plate, flexible rotation close to the wall, easy to cope with the edge and corner seam.

### PACKING INSTRUCTIONS

Packing instructions	
pole	x1 set of 2section
base	x1 pc
Mop cloth	x1 pc
Instructions	x1 pc

### CERTIFICATE OF CONFORMITY (LABEL)

Inspection personnel	
Job number	03
Production date	
/Day	/Month /Year

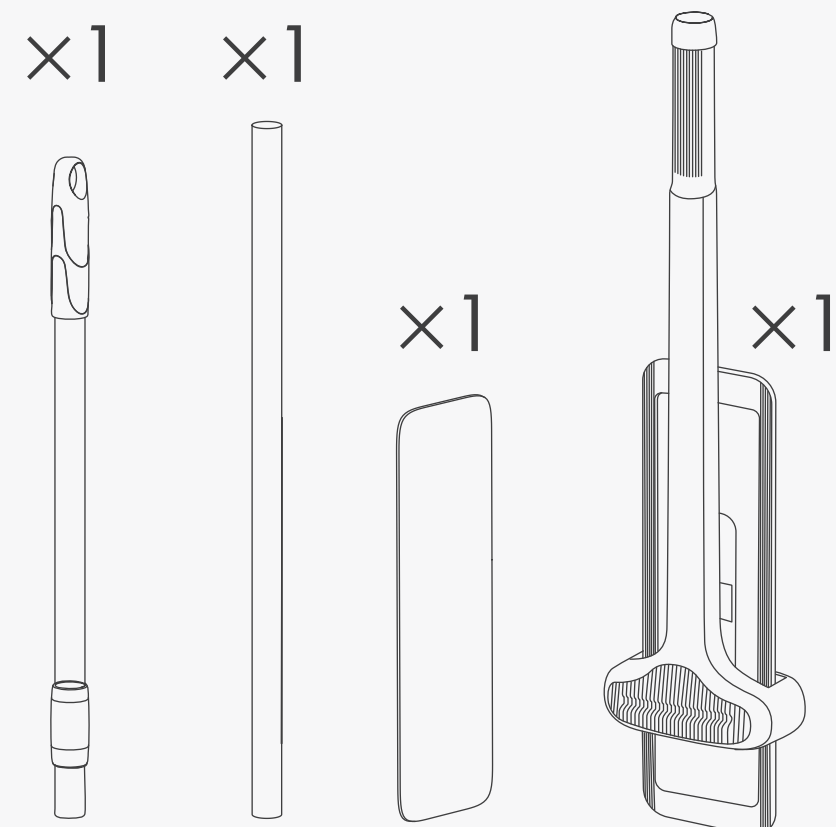
## ATTENTION

- 1.Remove packaging, labels, etc., when first used. Please make sure there is no transport or man-made damage.
- 2.Do not put the product near fire or combustible material, which may cause deformation and damage of the product.
- 3.Do not fall to the ground.
- 4.This product can only be used on flat floor .
- 5.Self-repair, decomposition and transformation of the product is prohibited, and possible damage.
- 6.Do not place the product in direct sunlight.
7. This product is for home use only. Minors should be used under adult guidance.

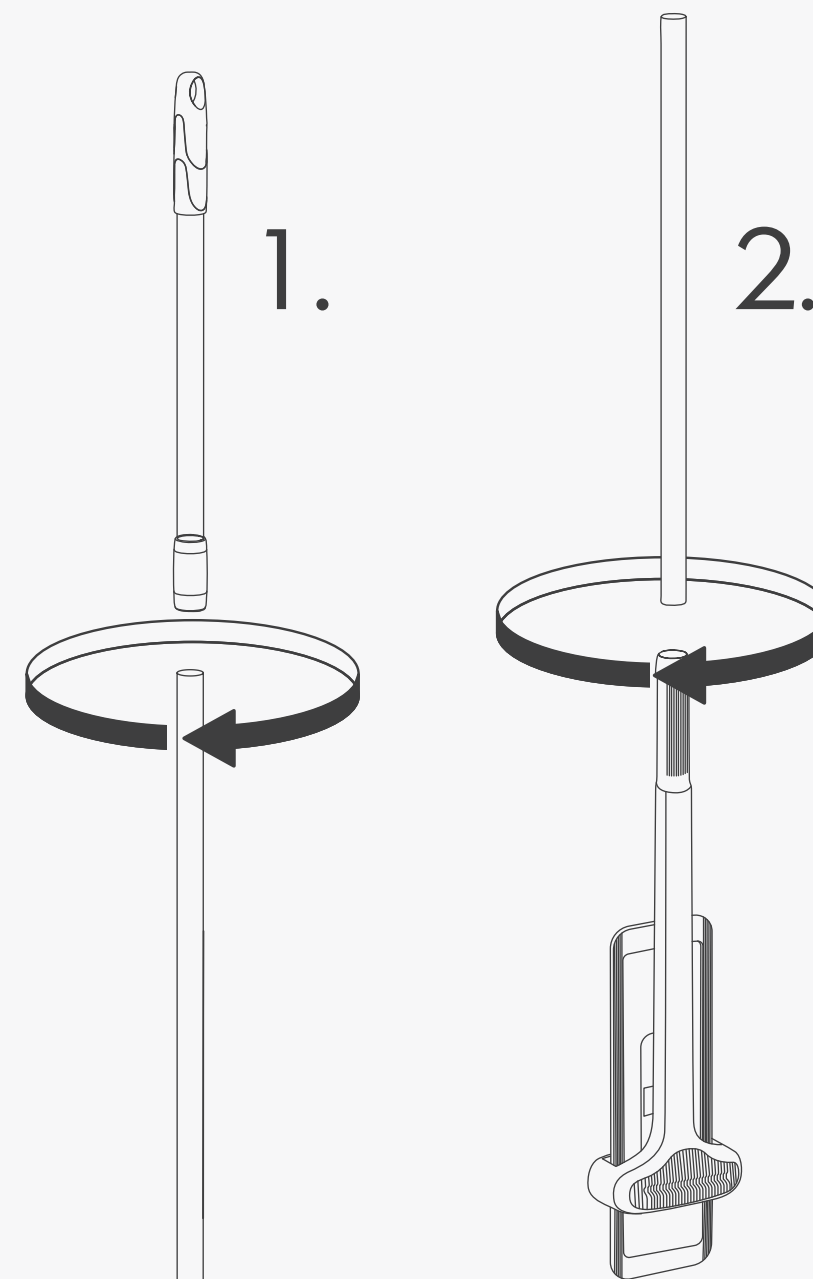
## PLEASE READ CAREFULLY BEFORE USING

1. In order to help you better master the skills and pay attention to the matters needing attention, please take some time to read the instructions before using. Note should be observed in the instructions, so that the use of defects and losses are not covered by the merchant warranty.
2. Open the box and check whether the products and related accessories in the packing box are complete, and properly keep the instruction manual, warranty card and distributor purchase invoice.

## PRODUCT COMPONENT



## ASSEMBLY METHOD 1



## ASSEMBLY METHOD 2

Before use, please make sure all parts of the mop lever are tightly connected.

