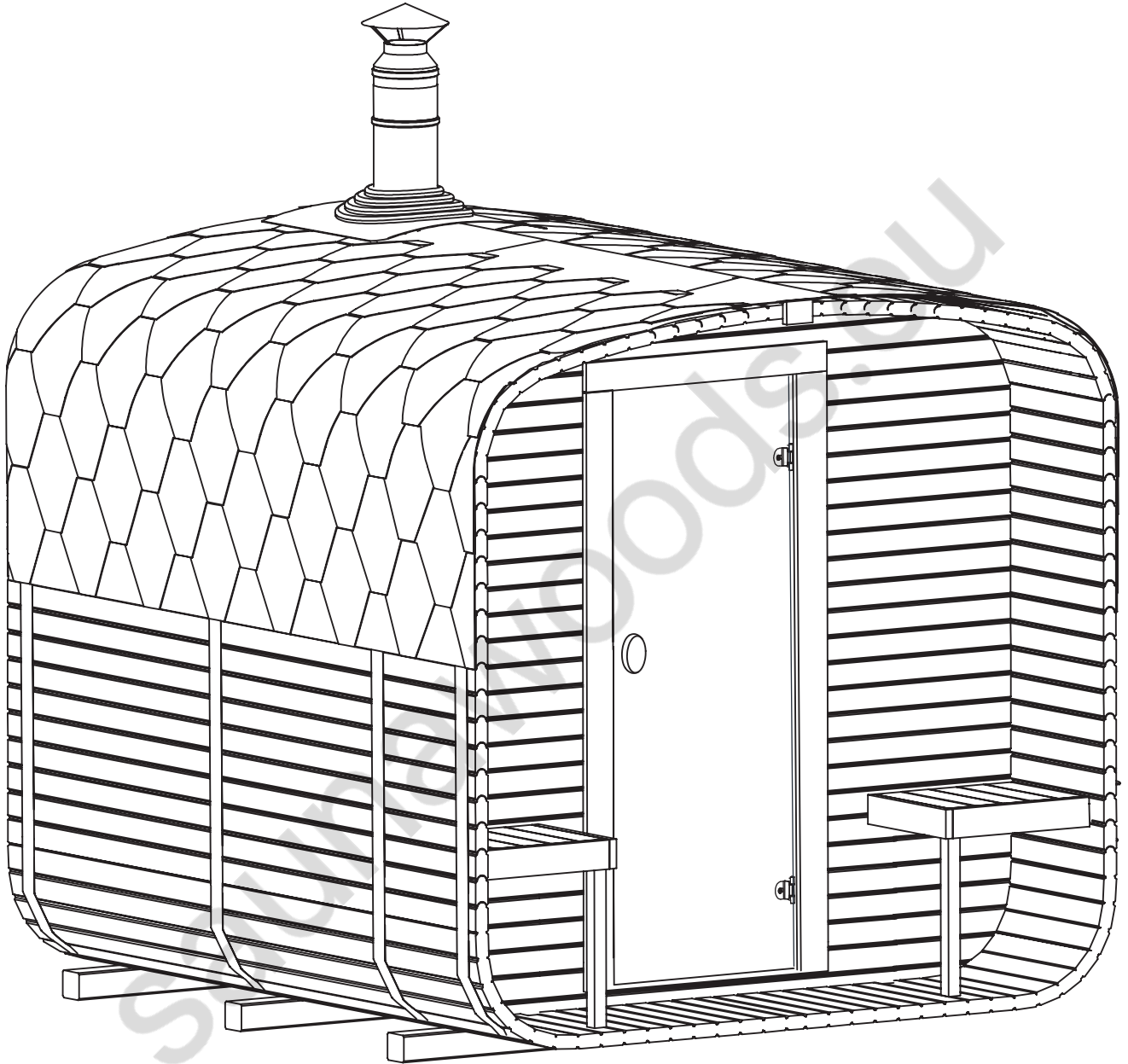
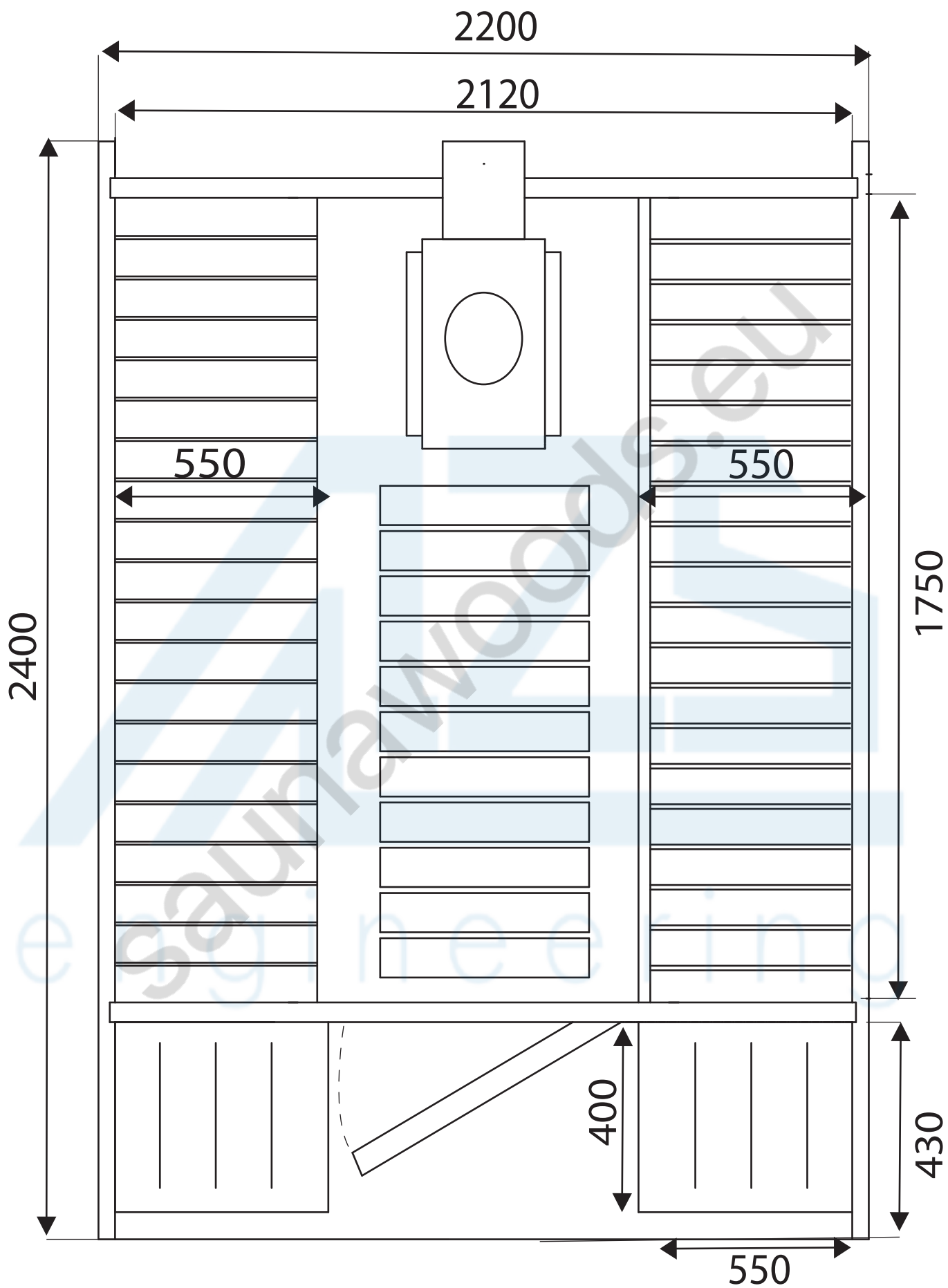
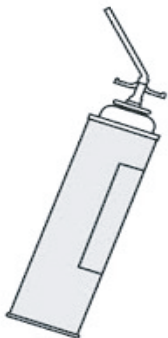
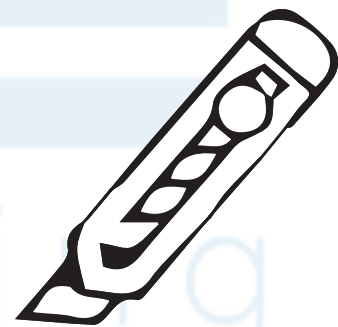
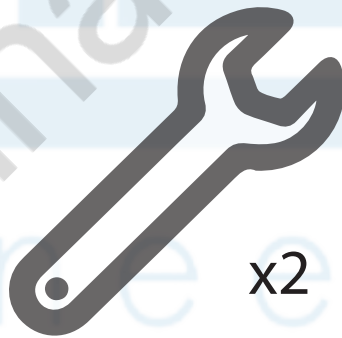
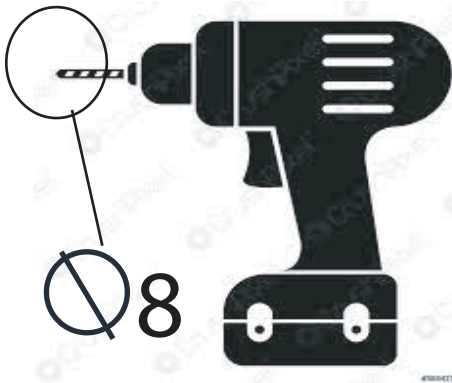
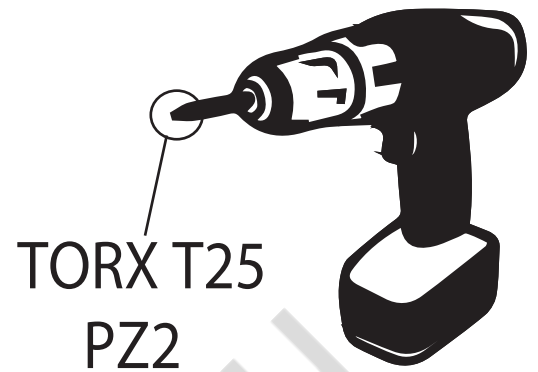
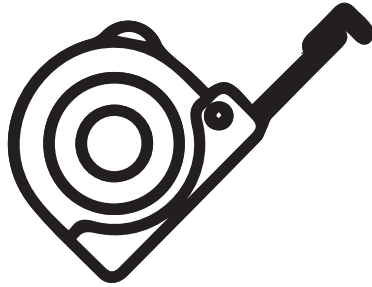
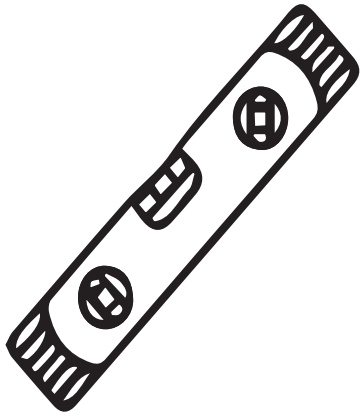


WOODDEN SQUARE SAUNA COMFORTPROM 2m WITH PORCH





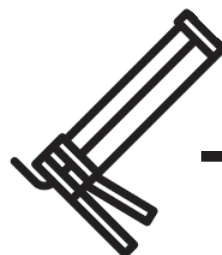
necessary tools



+



impregnation



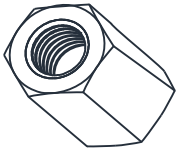
+



bituminous
sealant

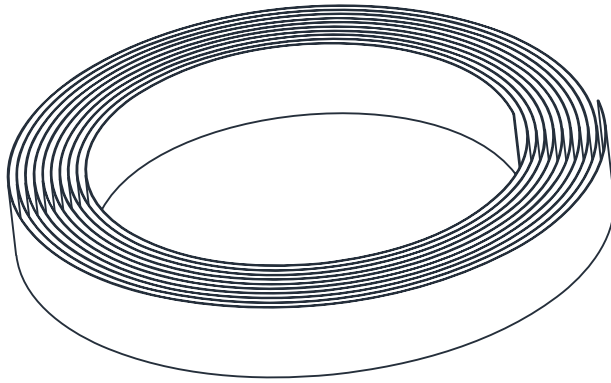
NOT INCLUDED!

2012



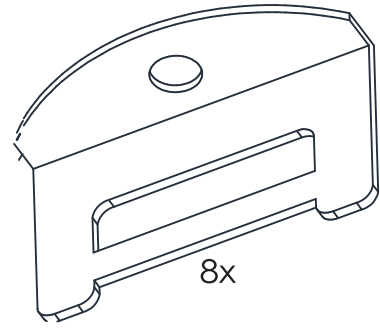
8x

L60



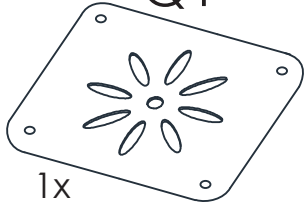
4x

K60



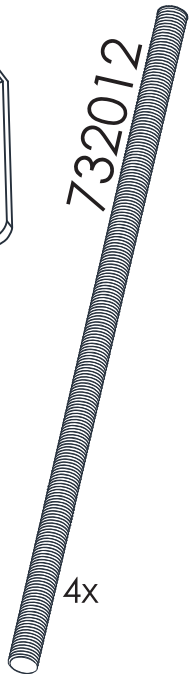
8x

Q1



1x

732012



4x



606x



300x



317x



22x

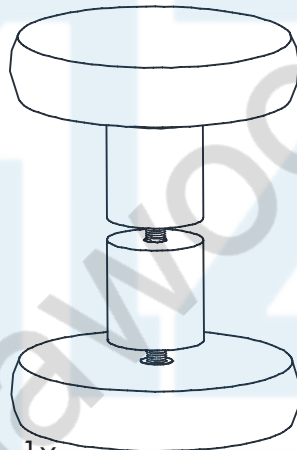


47x



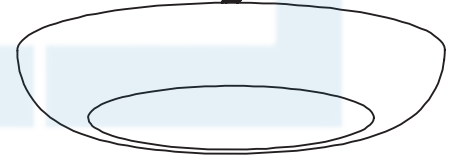
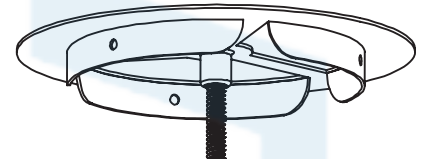
67x

SET2



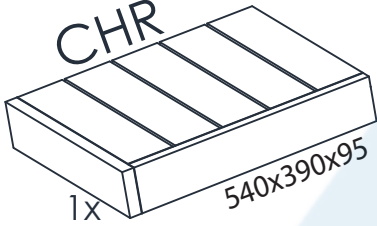
1x

SET3



1x

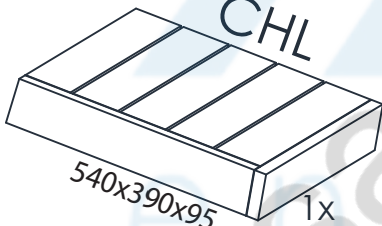
CHR



1x

540x390x95

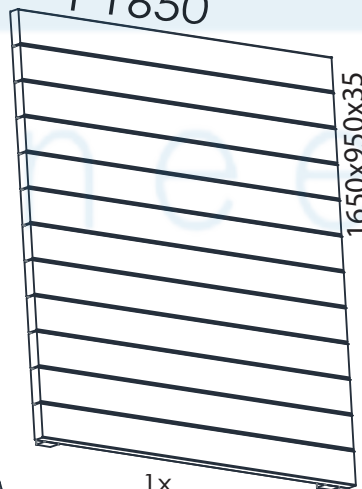
CHL



1x

540x390x95

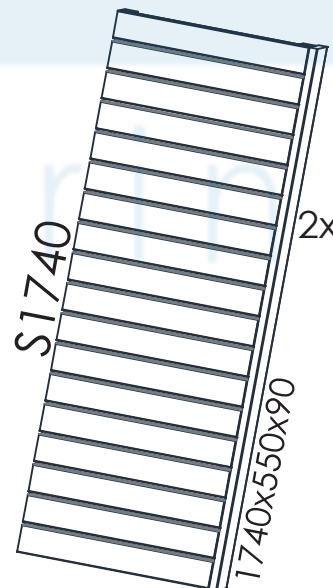
P1650



1x

1650x950x35

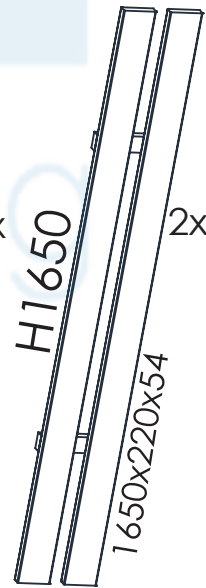
S1740



2x

1740x550x90

H1650

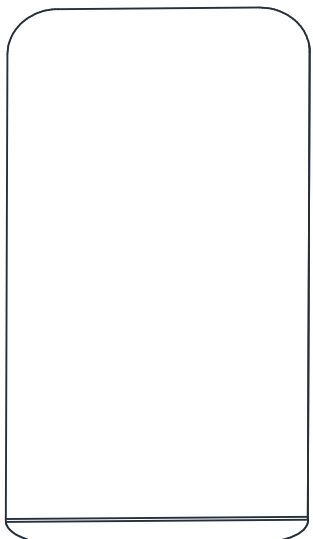


2x

1650x220x54

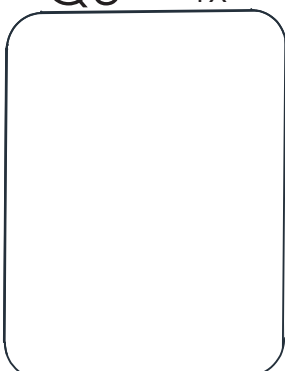
Q4

1x

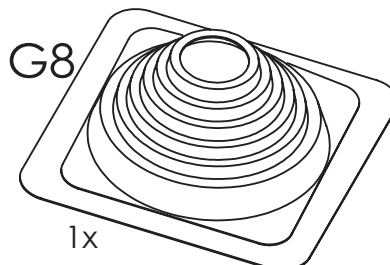


Q3

1x



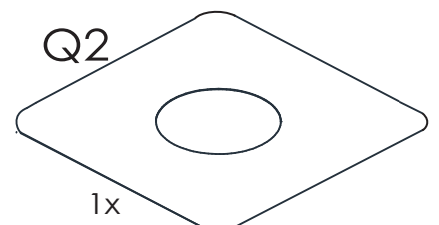
G8

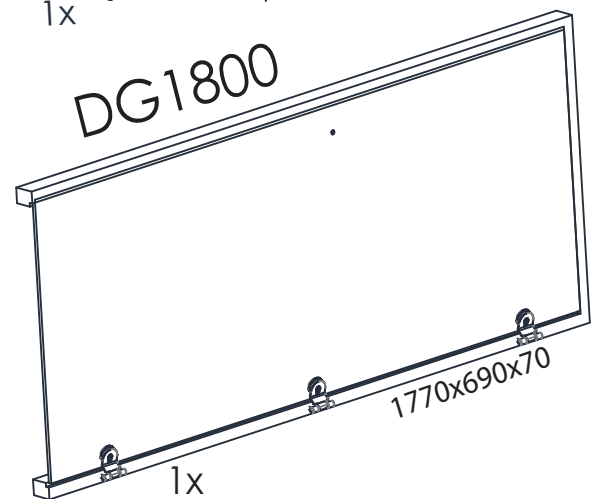
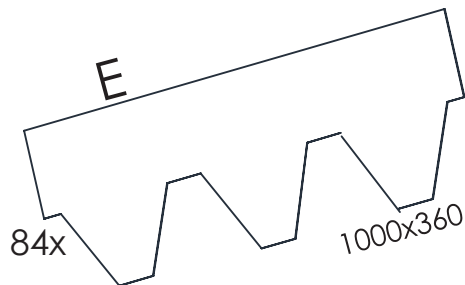
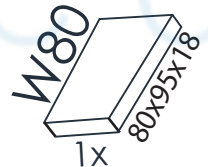
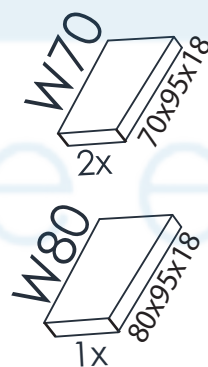
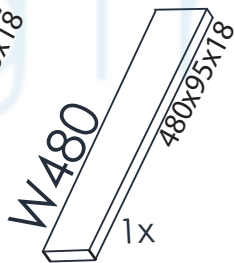
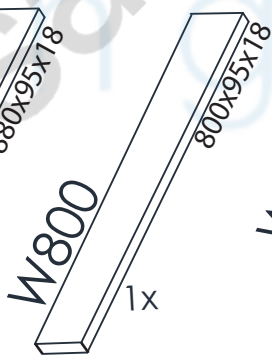
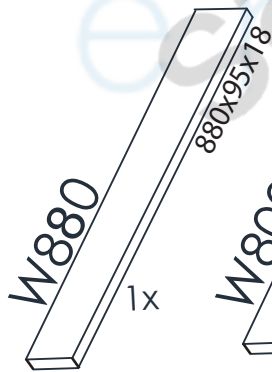
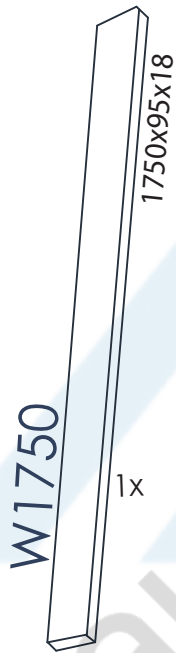
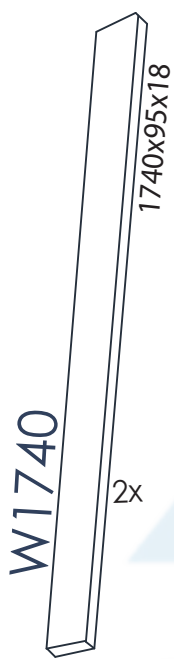
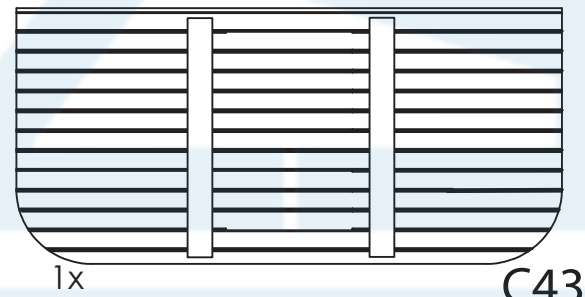
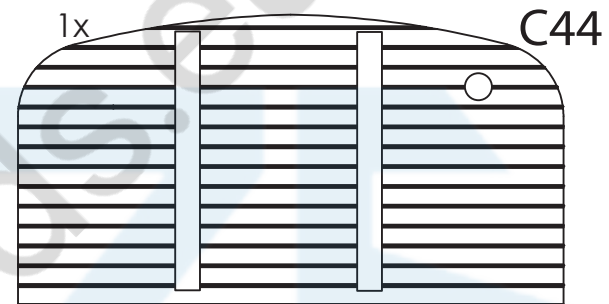
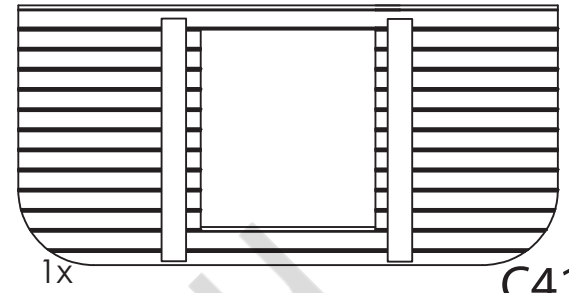
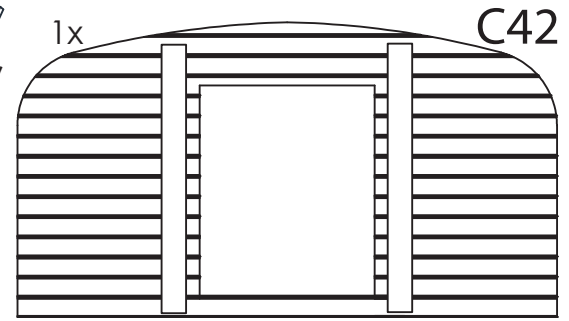
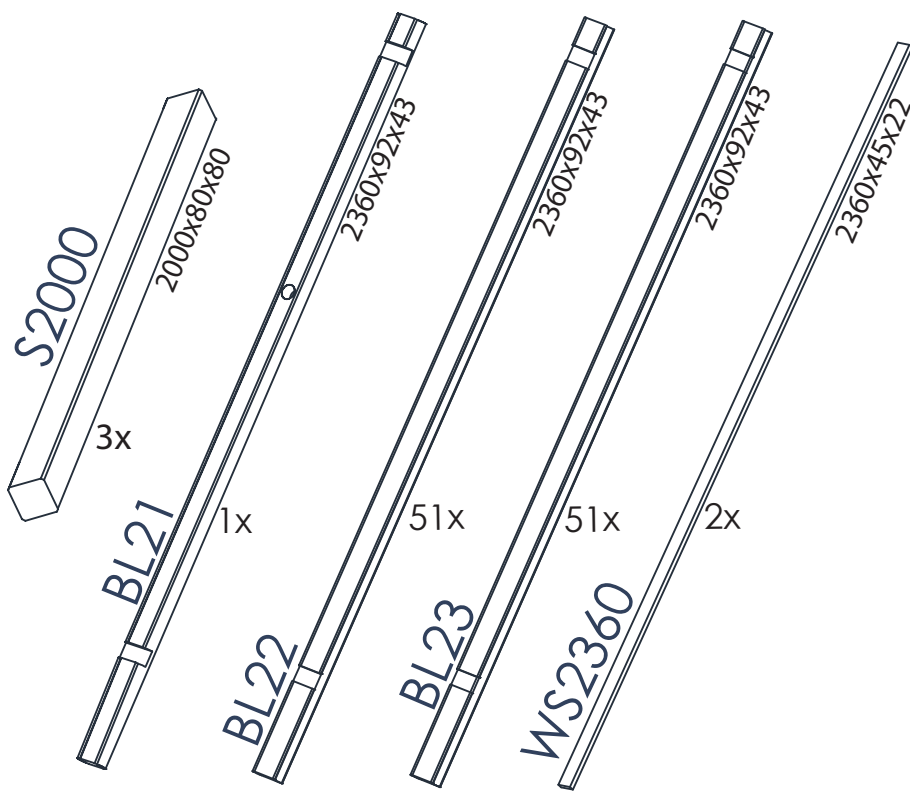


1x

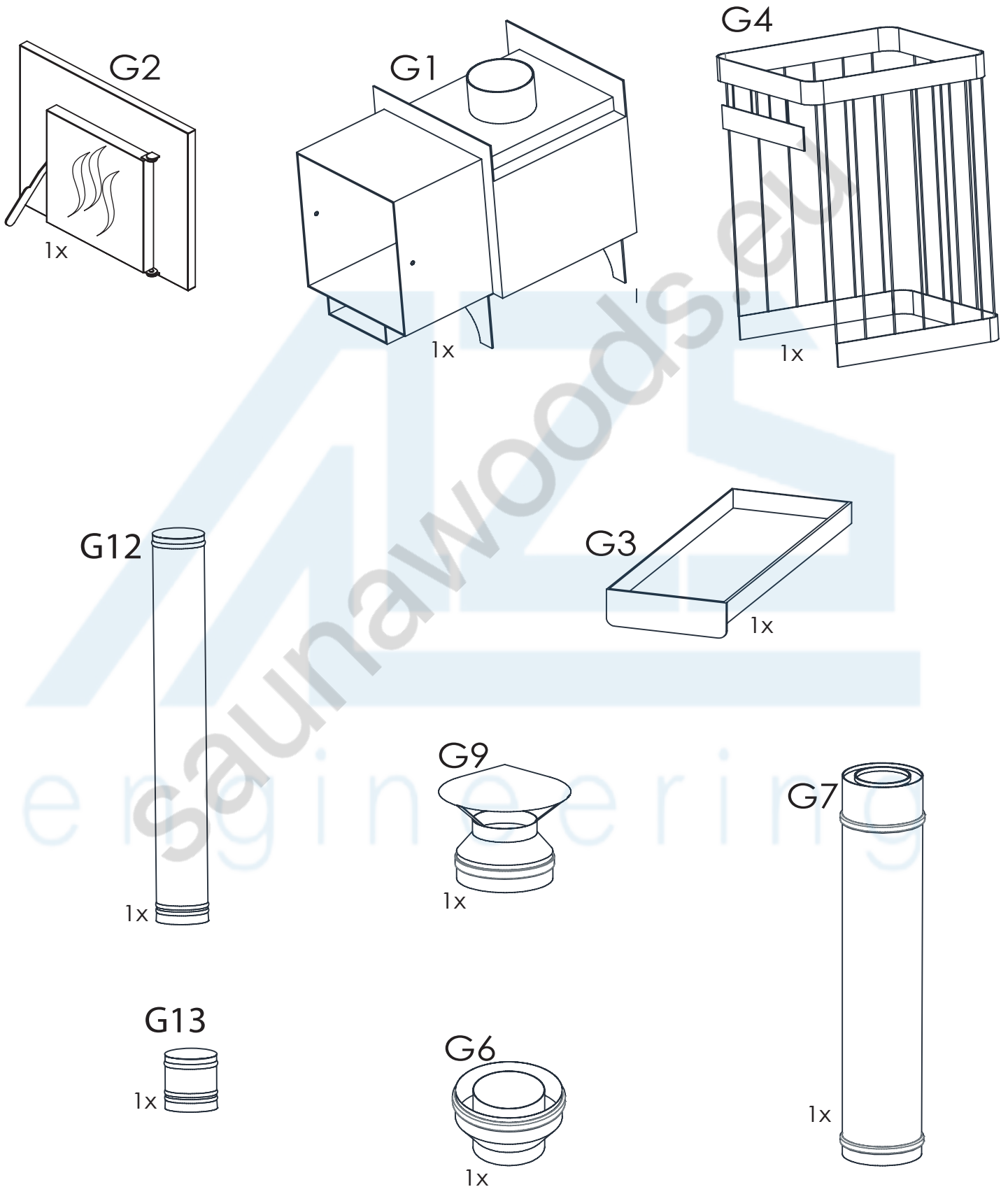
Q2

1x

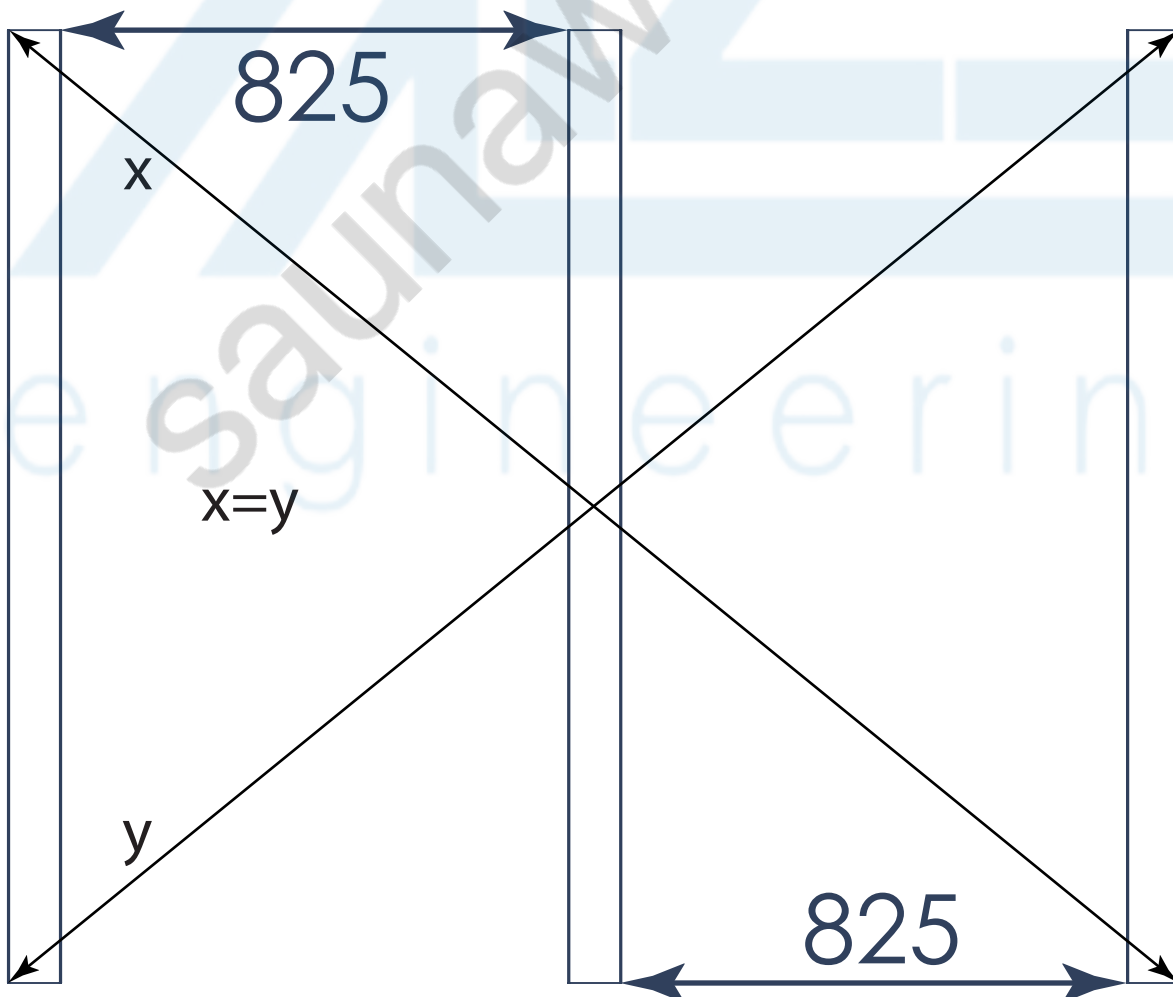
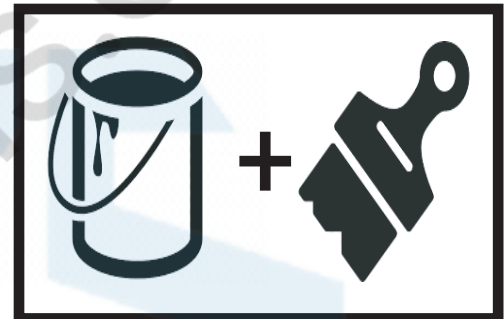
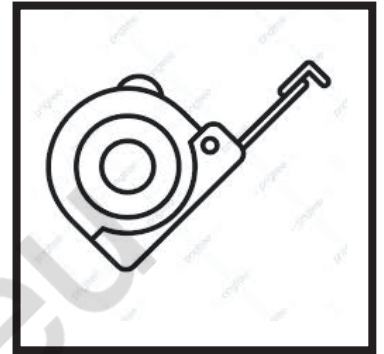
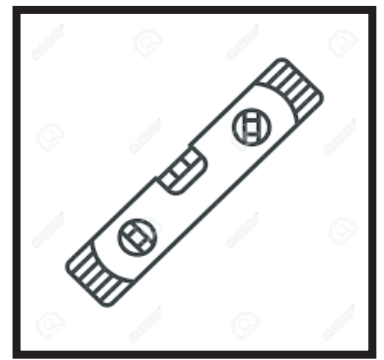
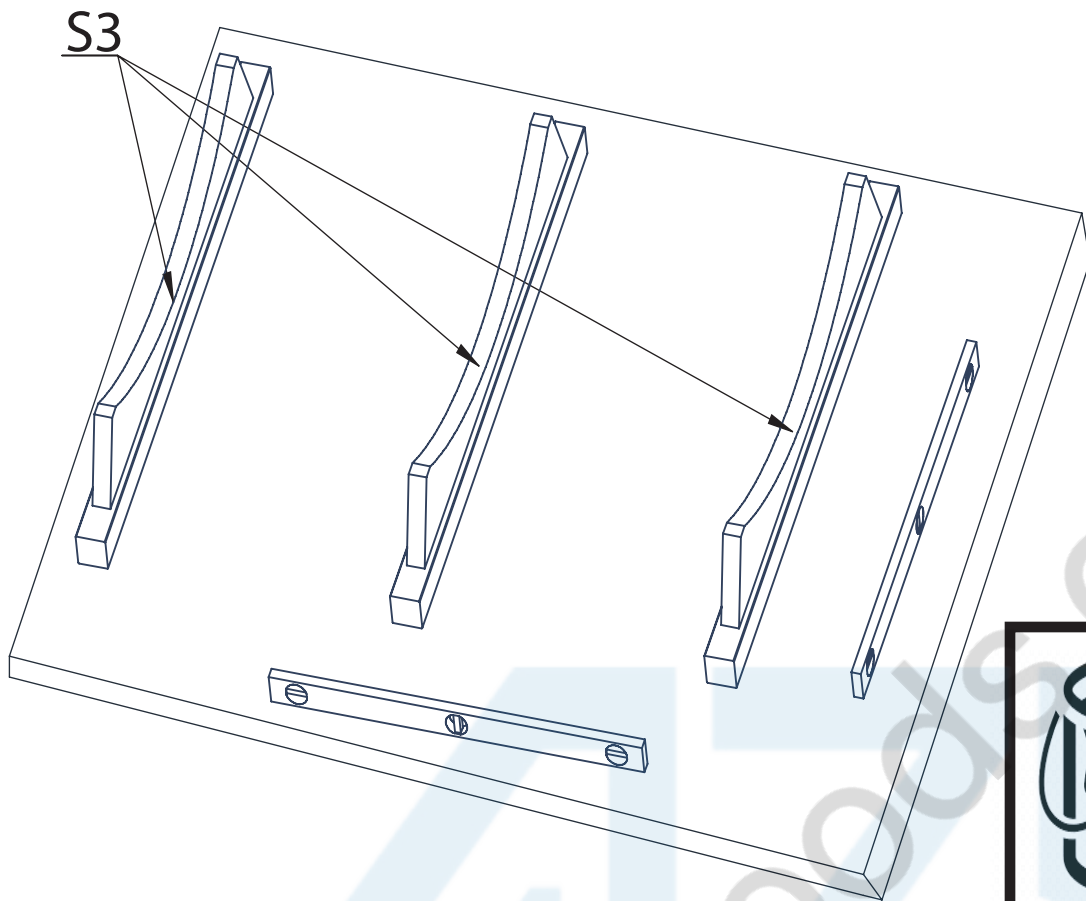




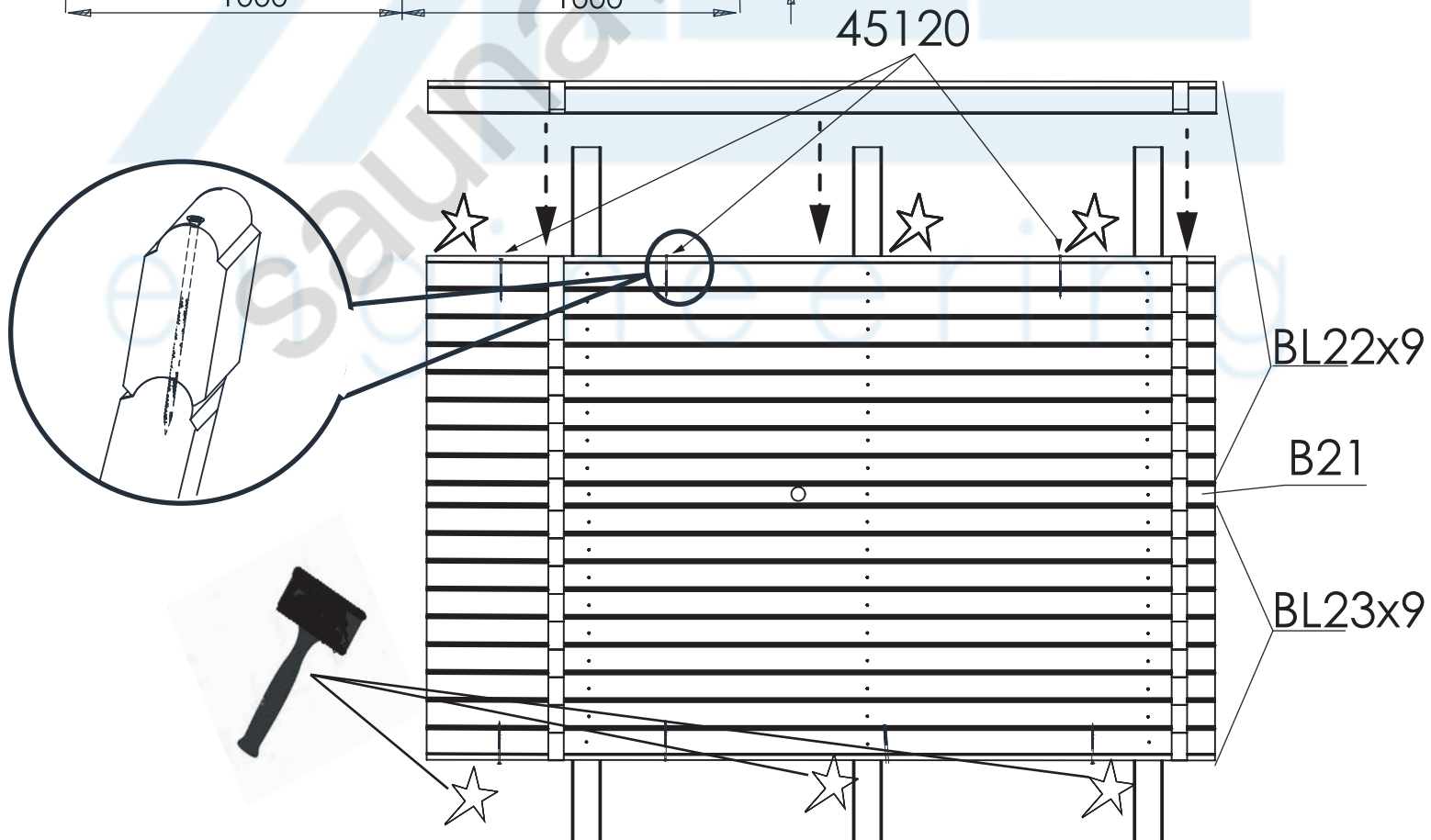
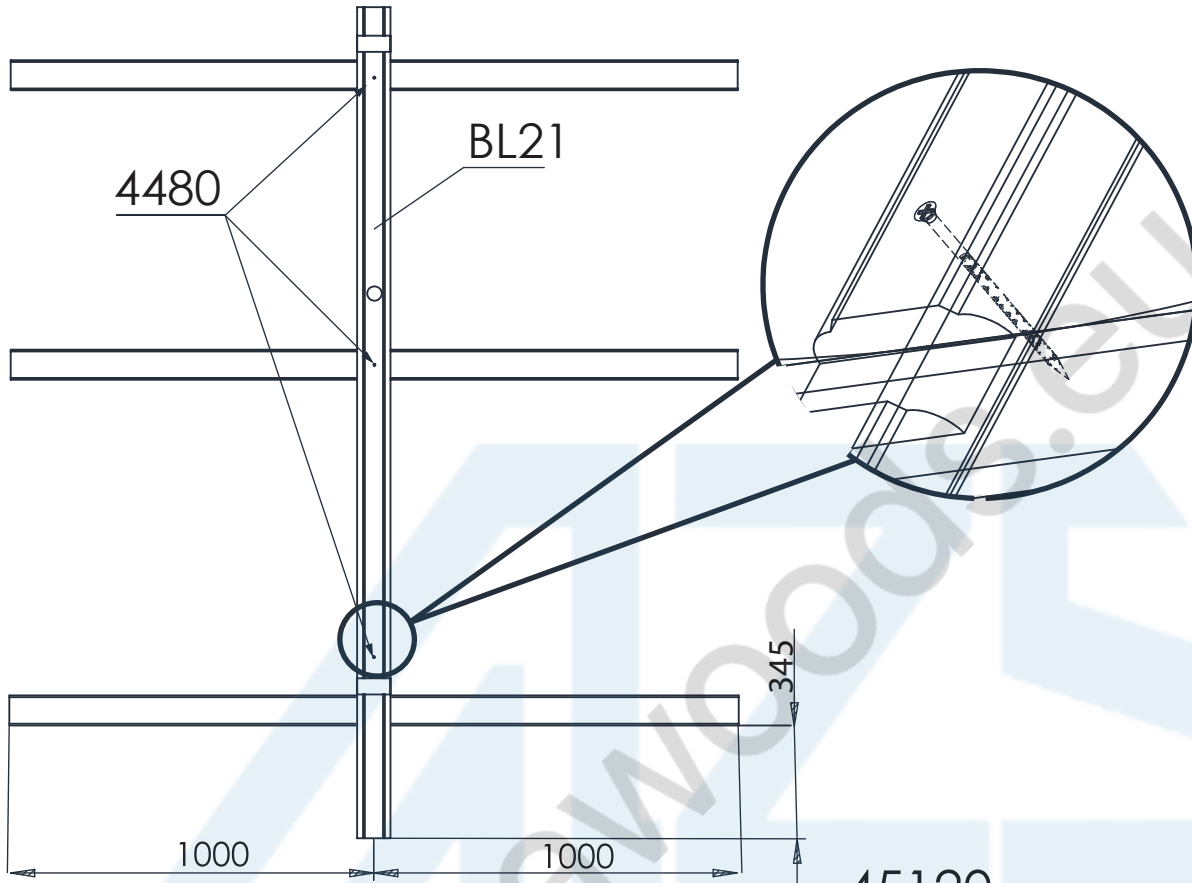
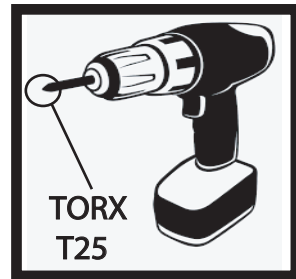
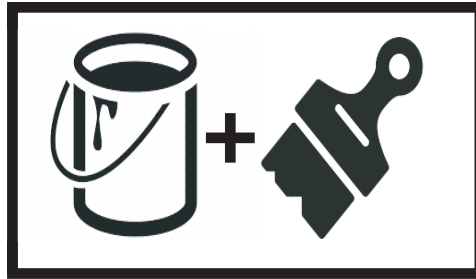
A SET FOR INSTALLING WOOD-BURNING STOVE (NOT INCLUDED).
PURCHASED SEPARATELY

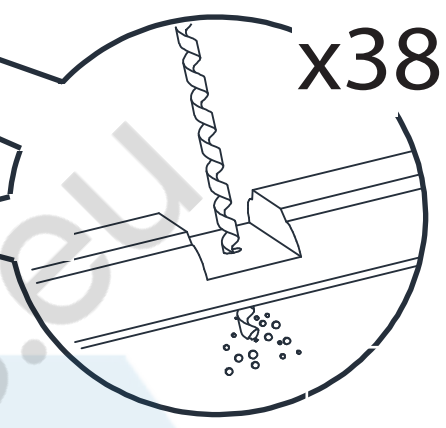
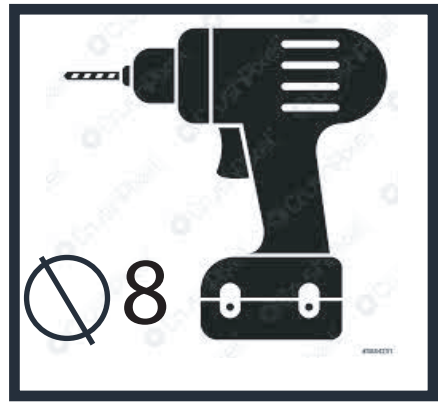
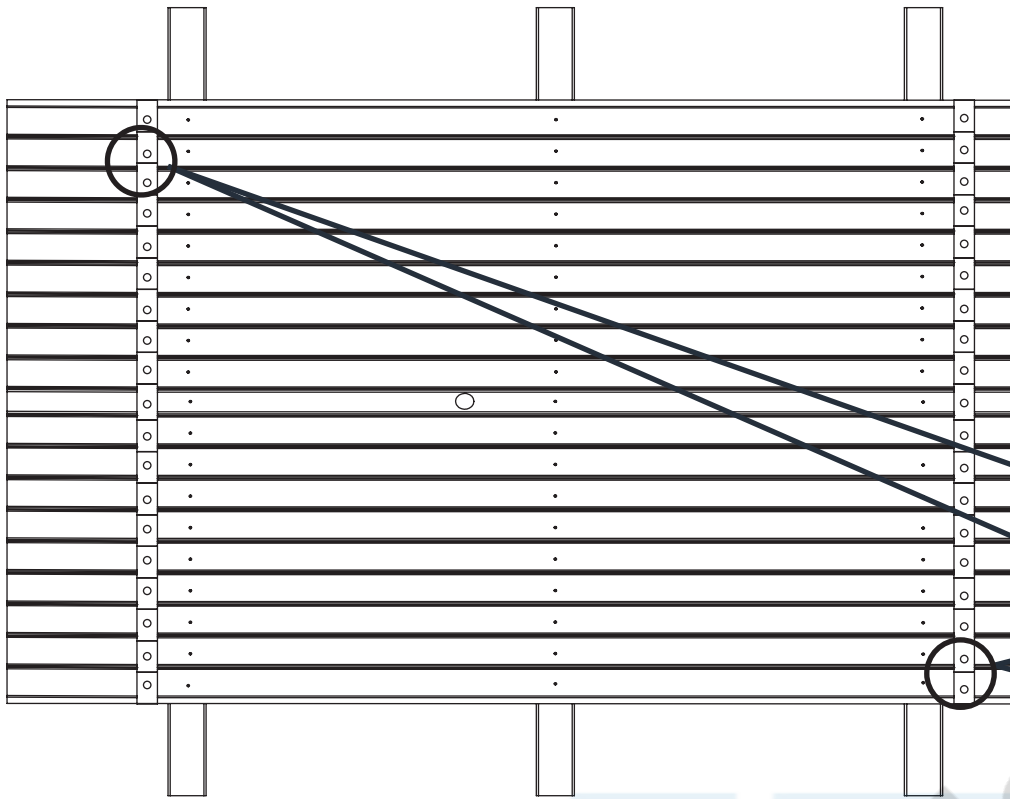


S3 - 3

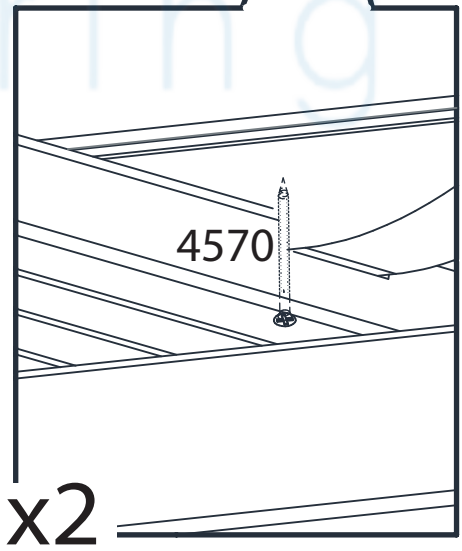
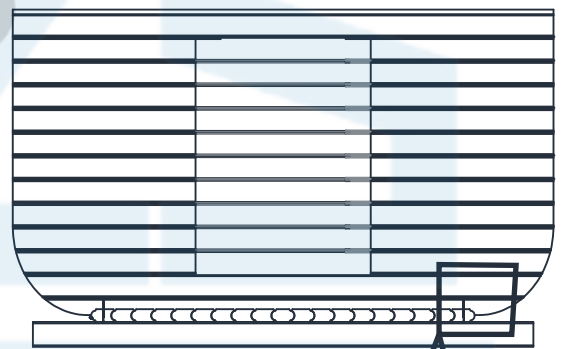
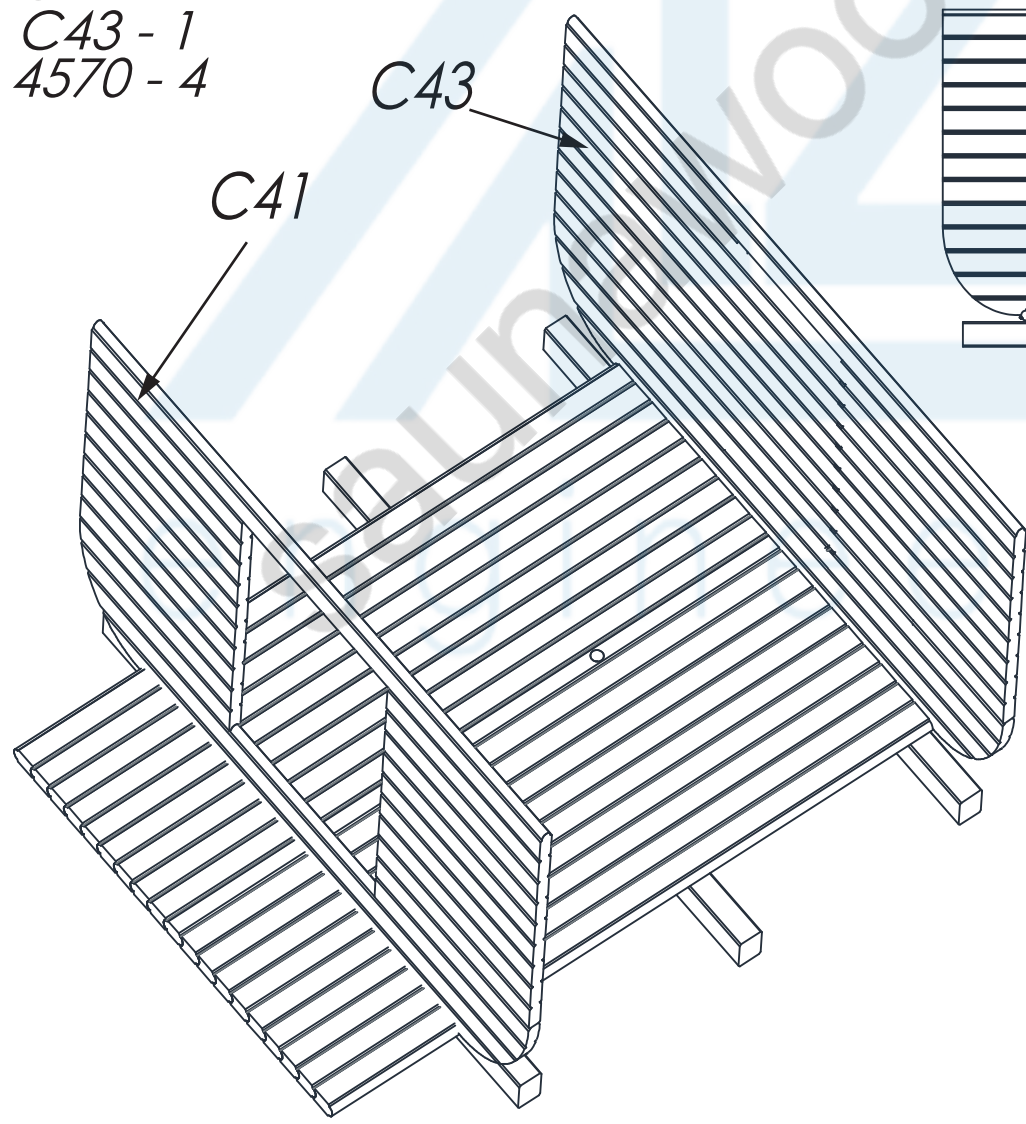


BL21 - 1
BL22 - 9
BL23 - 9
4570 - 57
45120 - 54

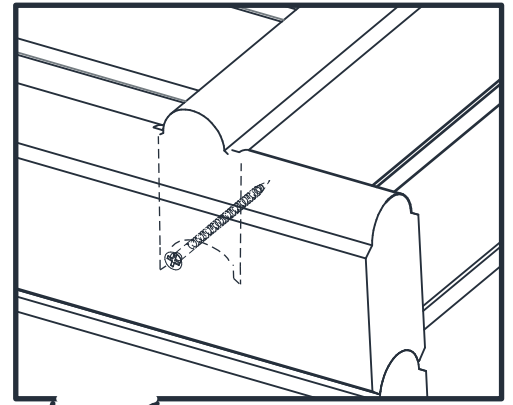
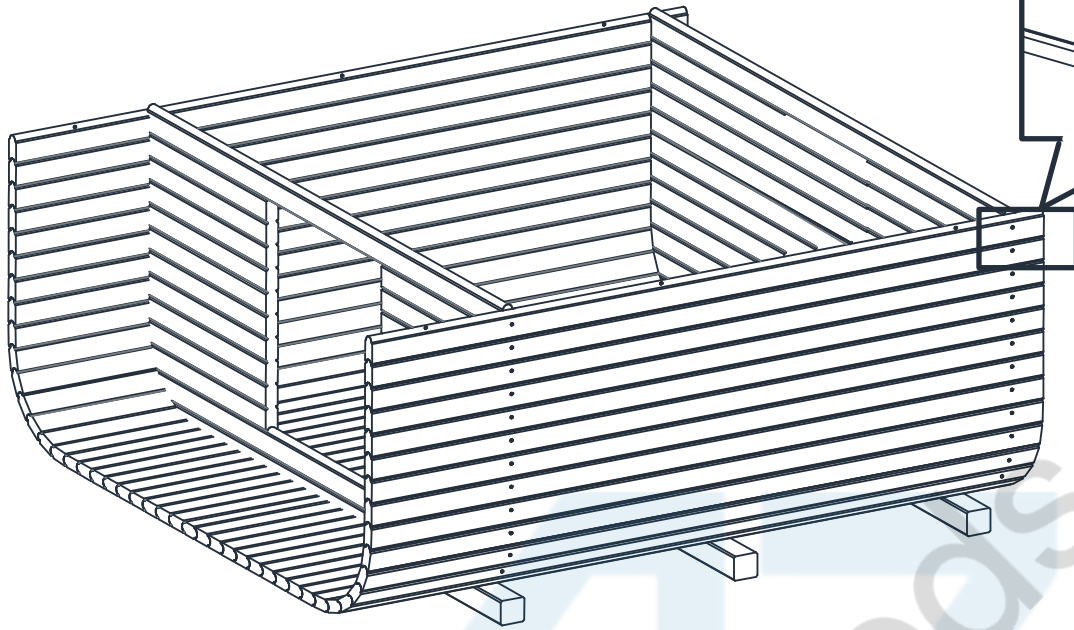




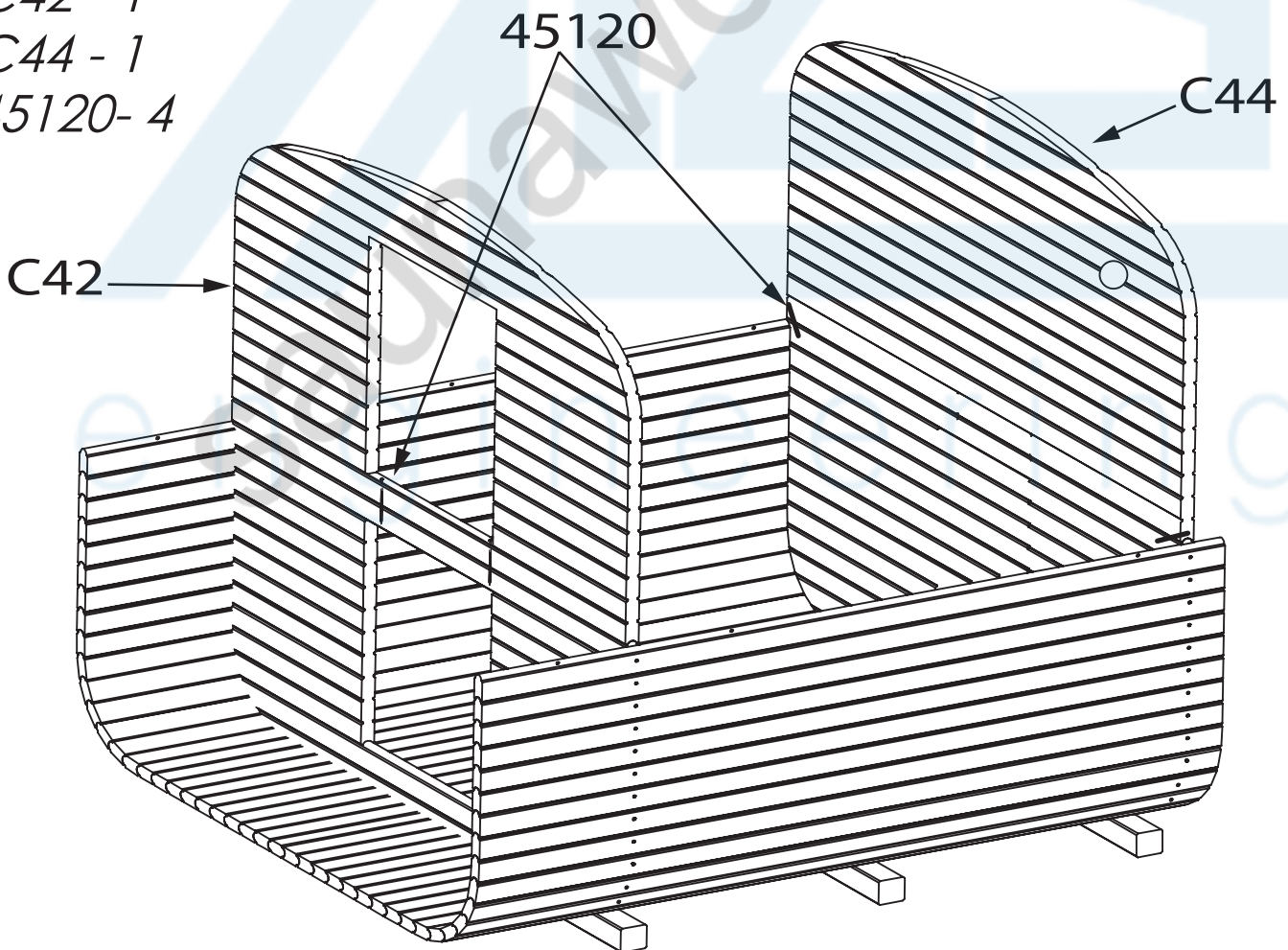
C41 - 1
 C43 - 1
 4570 - 4



BL22 - 15
BL23 - 15
4570 - 60
45120 - 90

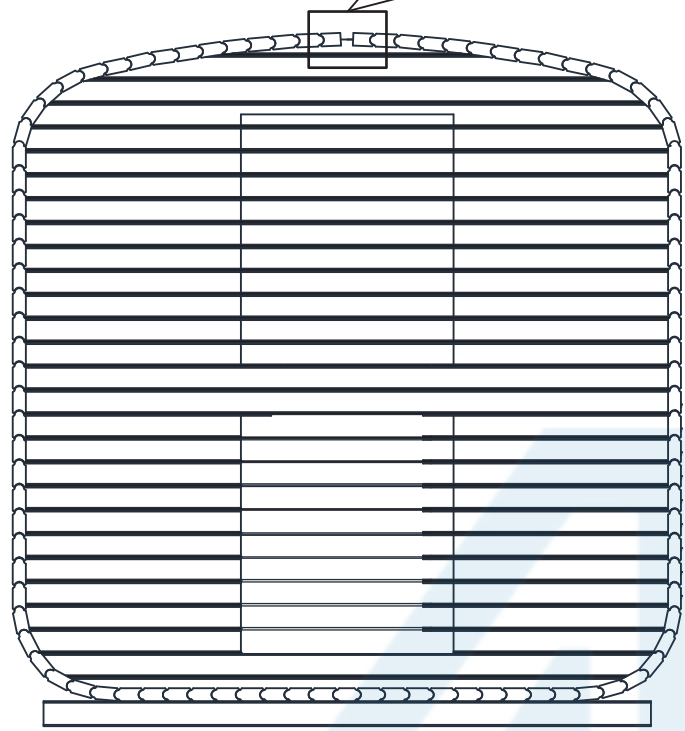
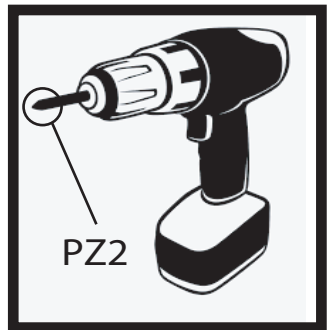
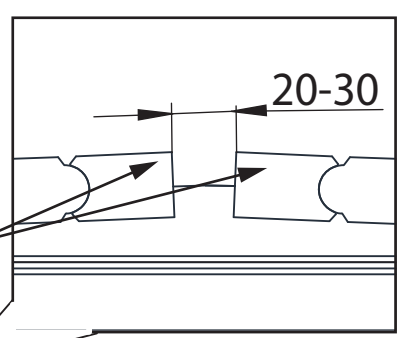


C42 - 1
C44 - 1
45120- 4

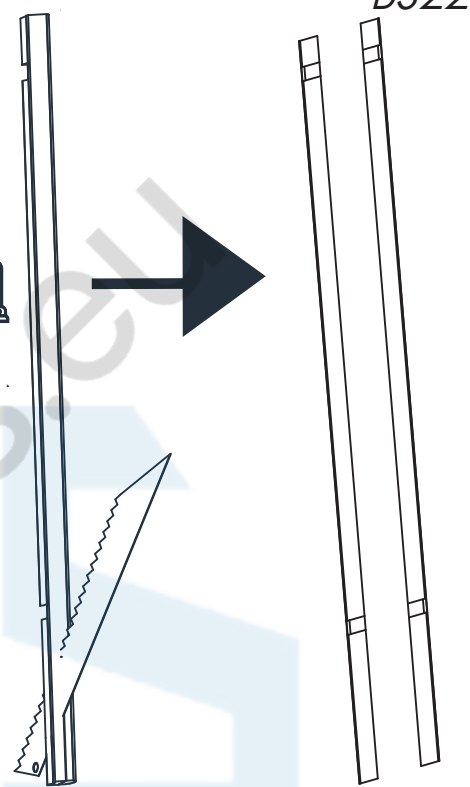
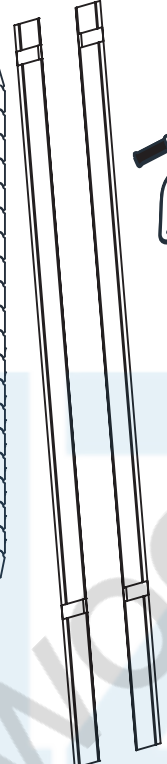


BL22 - 25
BL23 - 25
4570 - 100
45120 - 150

BS22
BS23

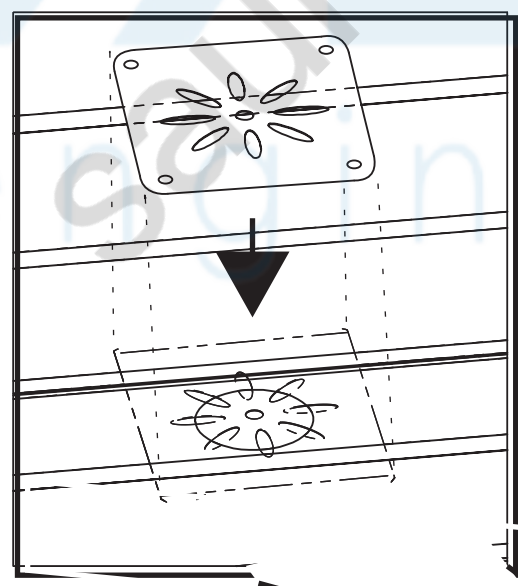


BL22



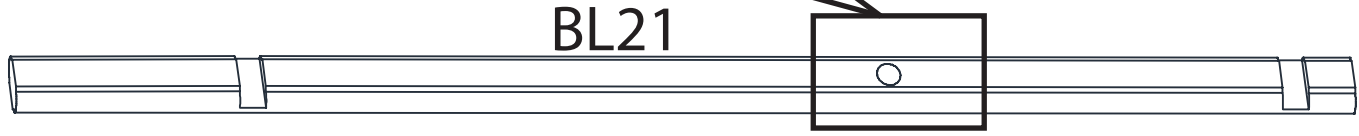
BL23

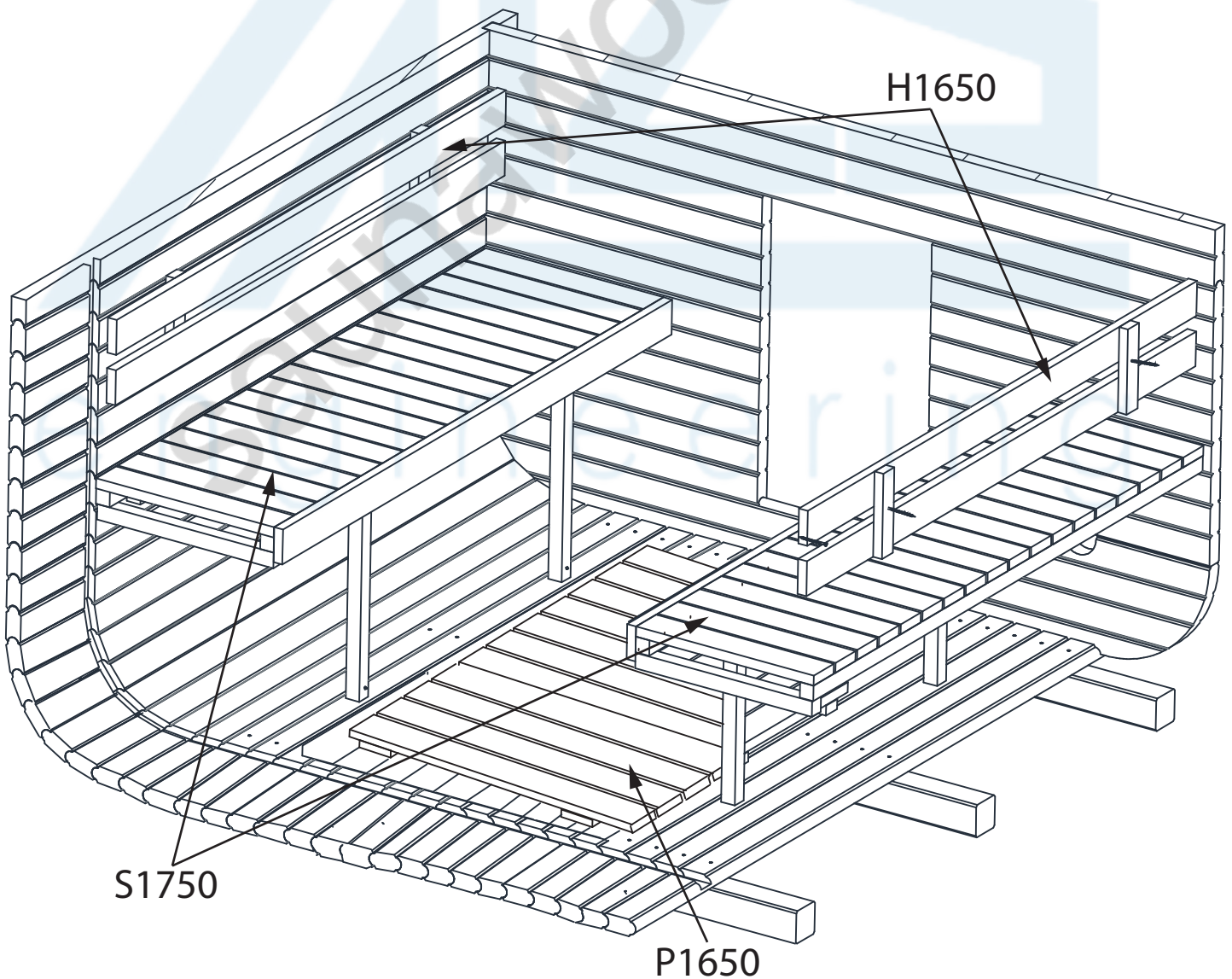
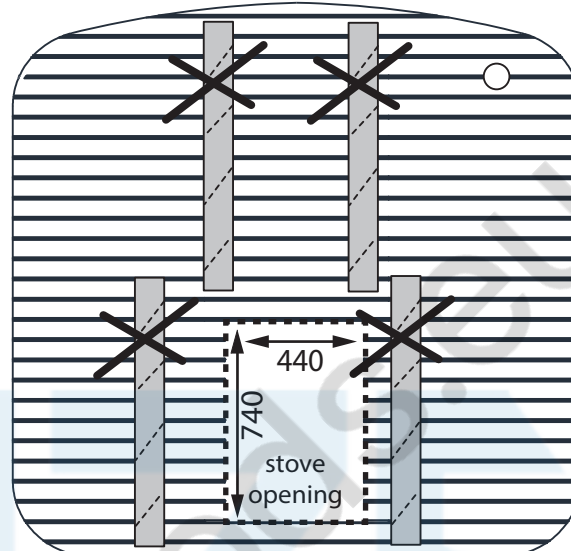
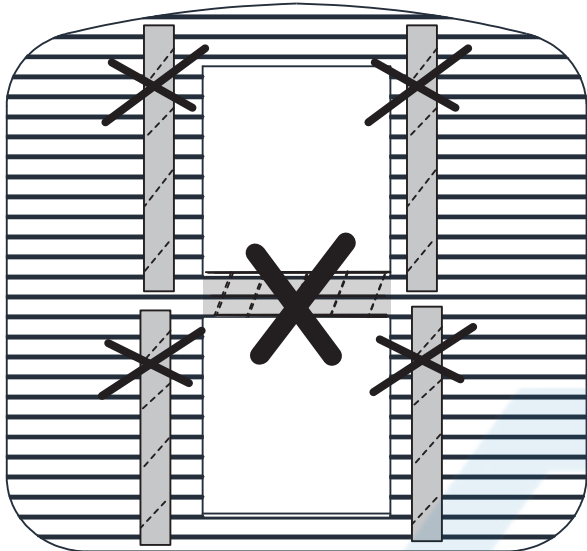
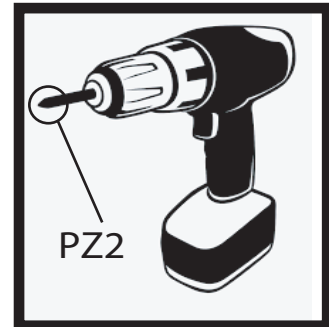
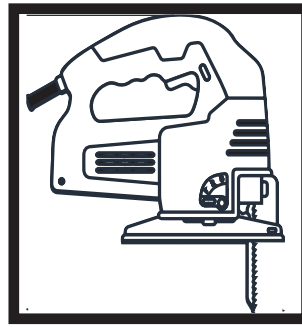
BS23



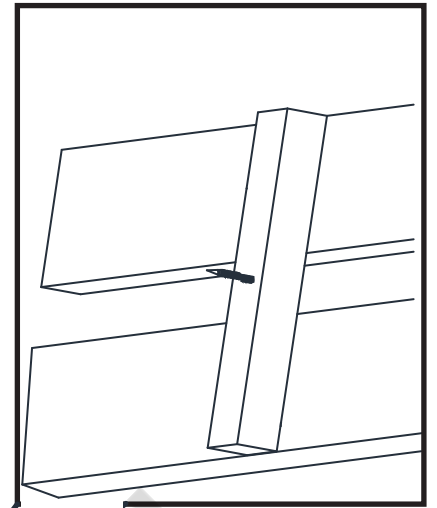
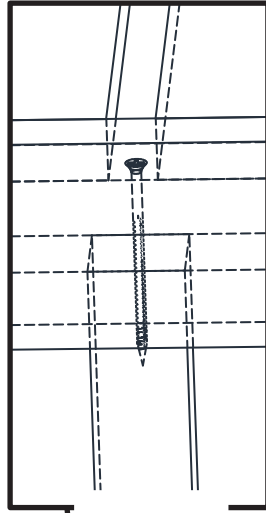
Q1 - 1
4345 - 4

BL21



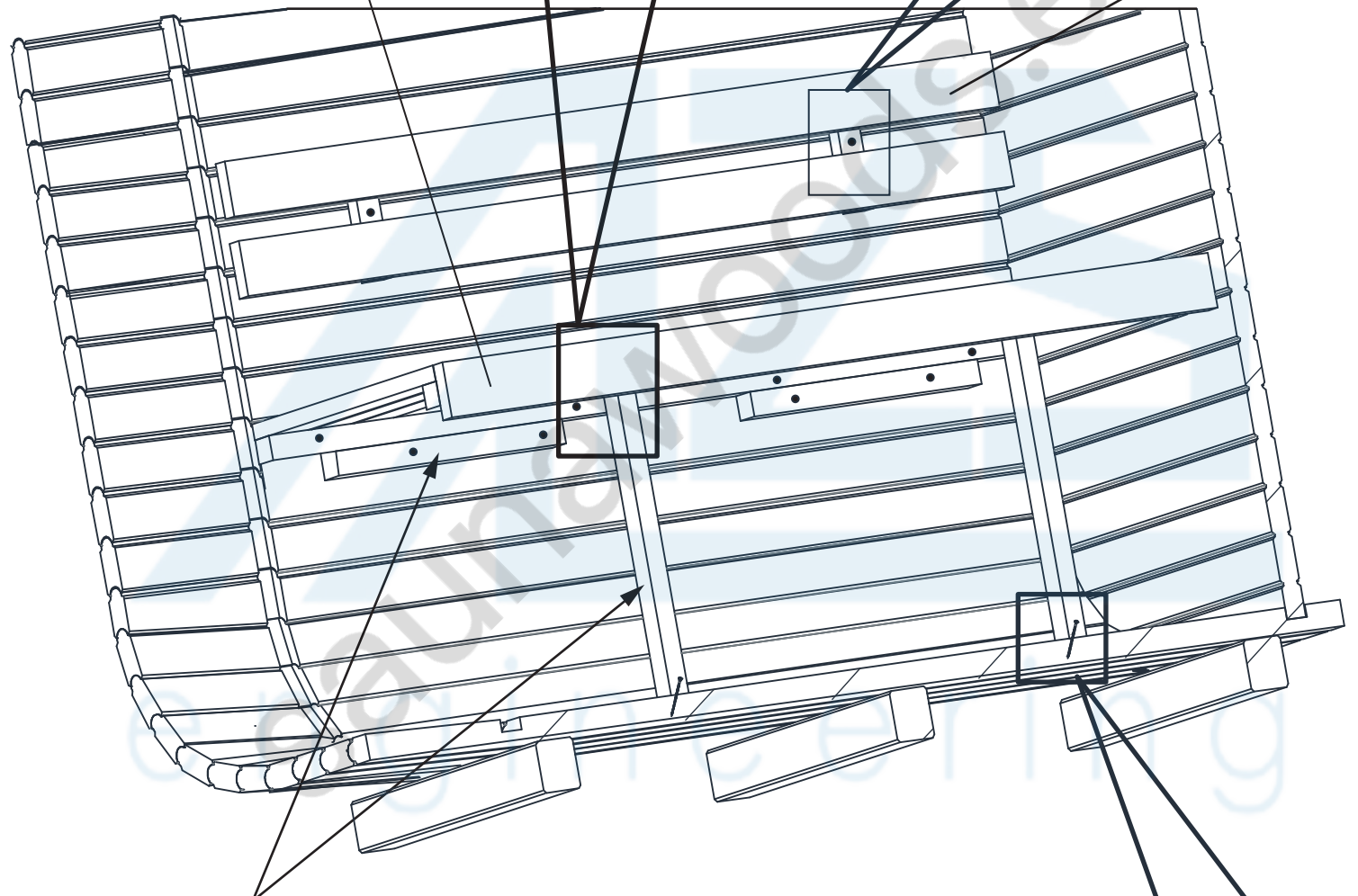


H1650 - 2
S1740 - 2
R520 - 8
4570 - 36

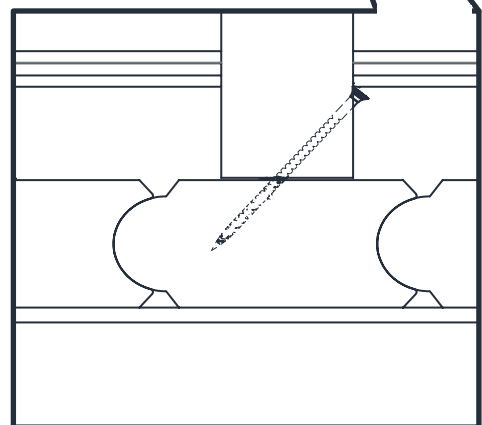


S1740+4x4570

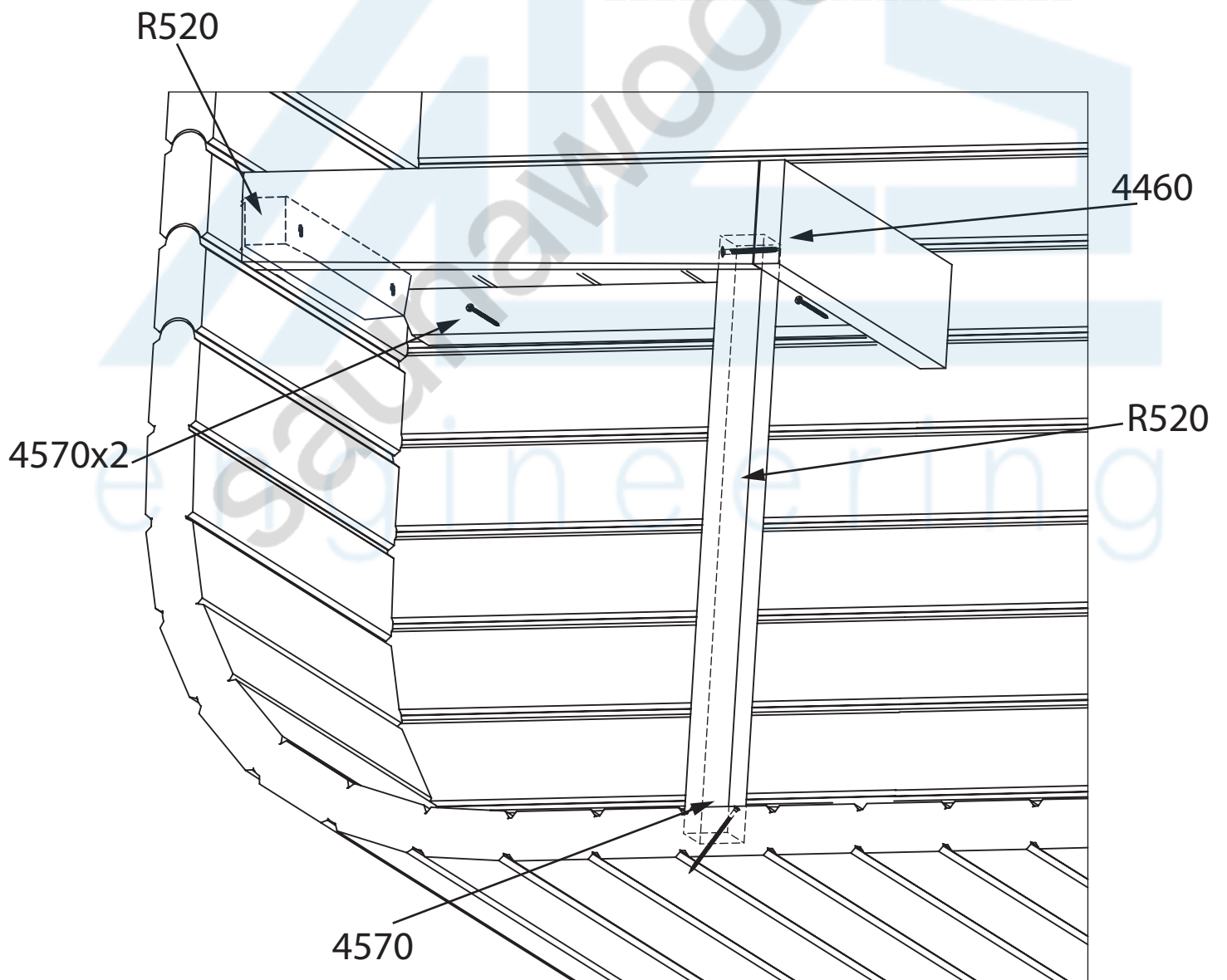
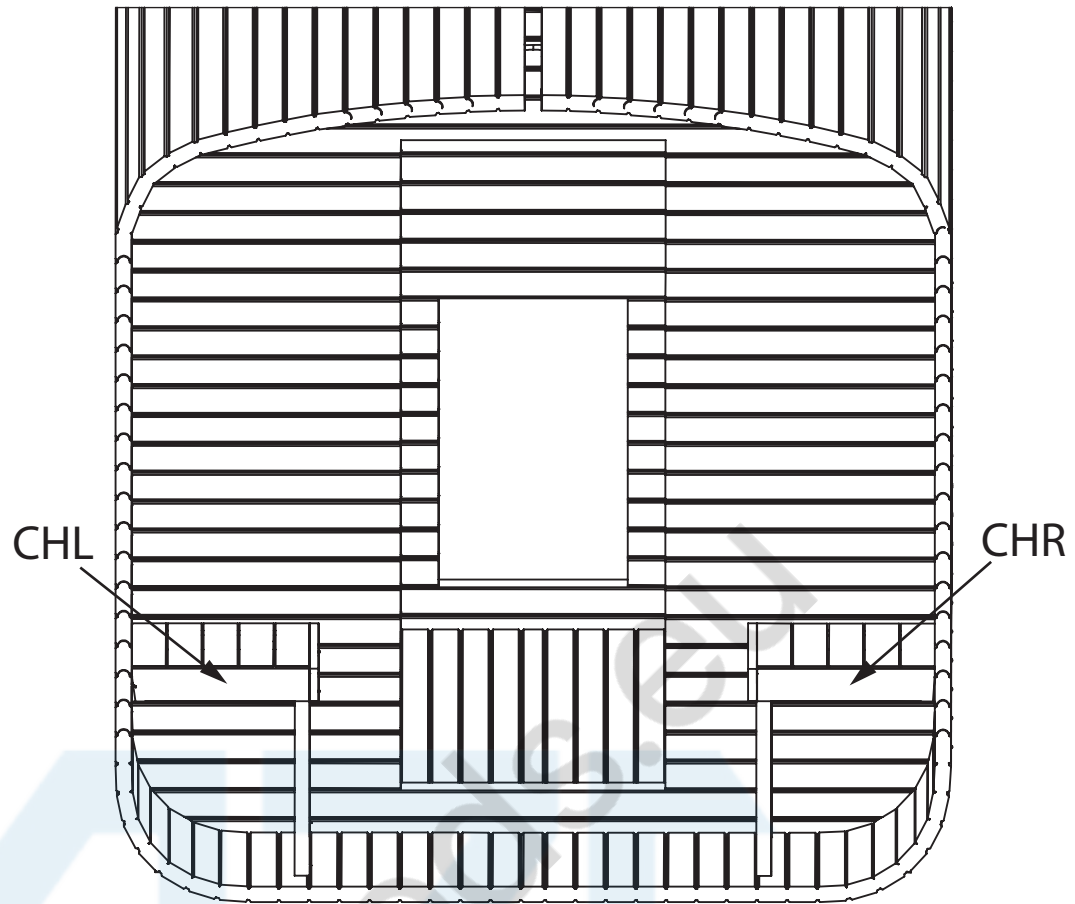
H1650+2x4570

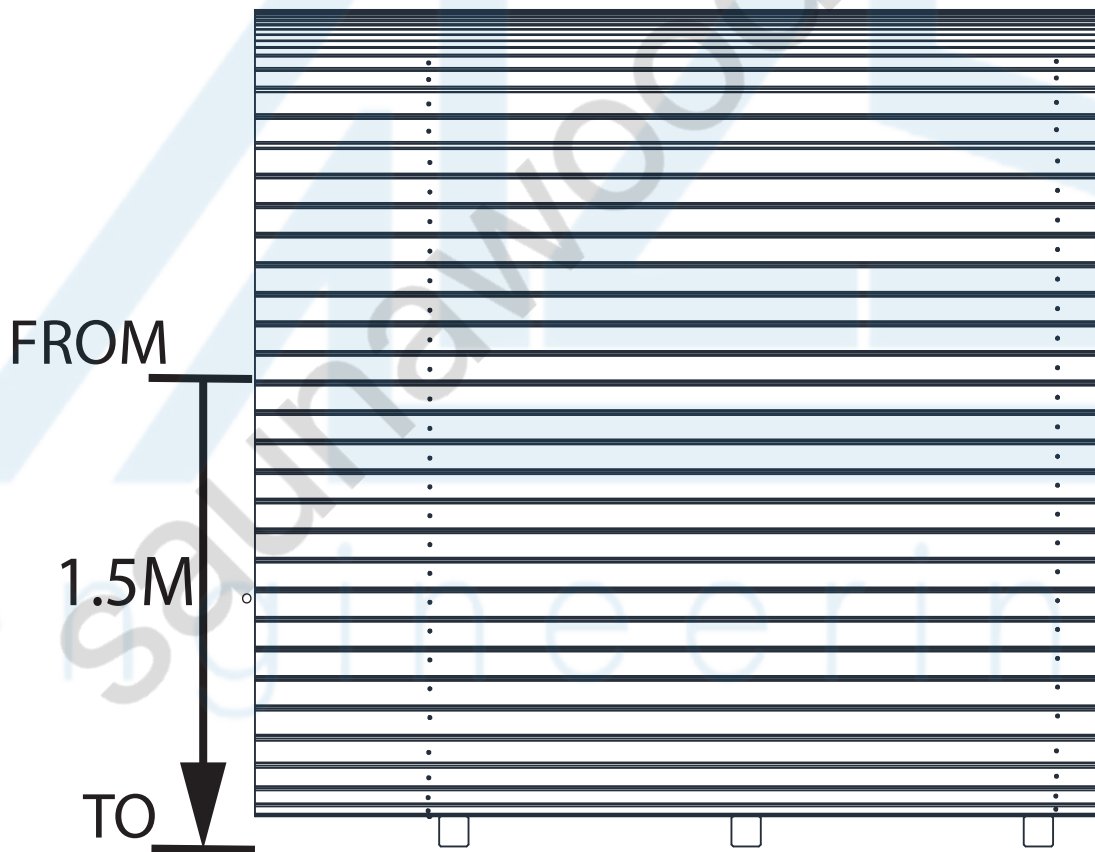
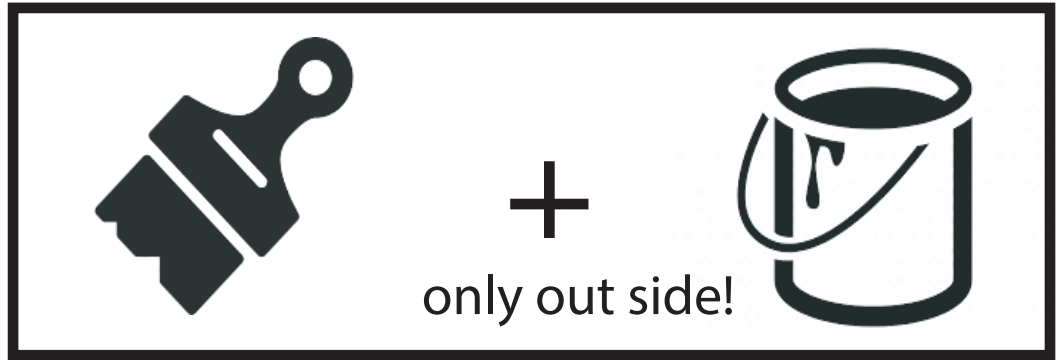


R520+2x4570

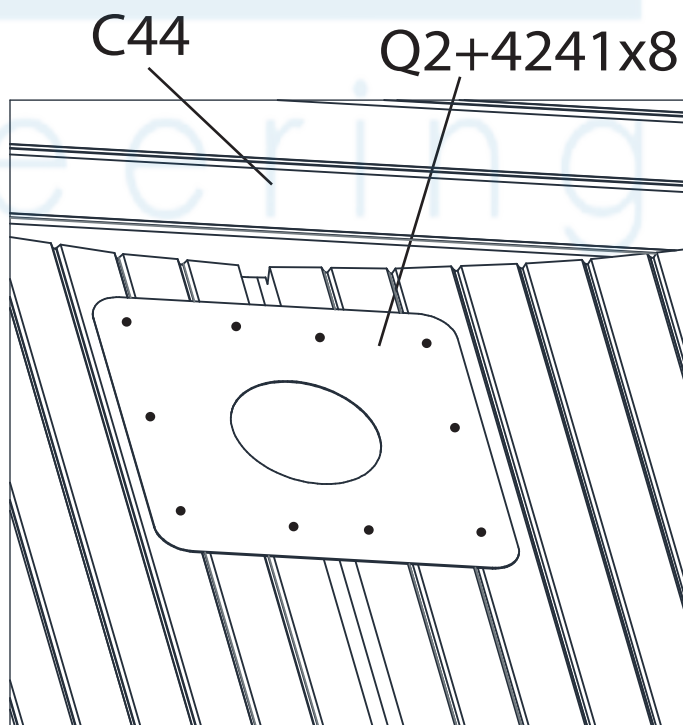
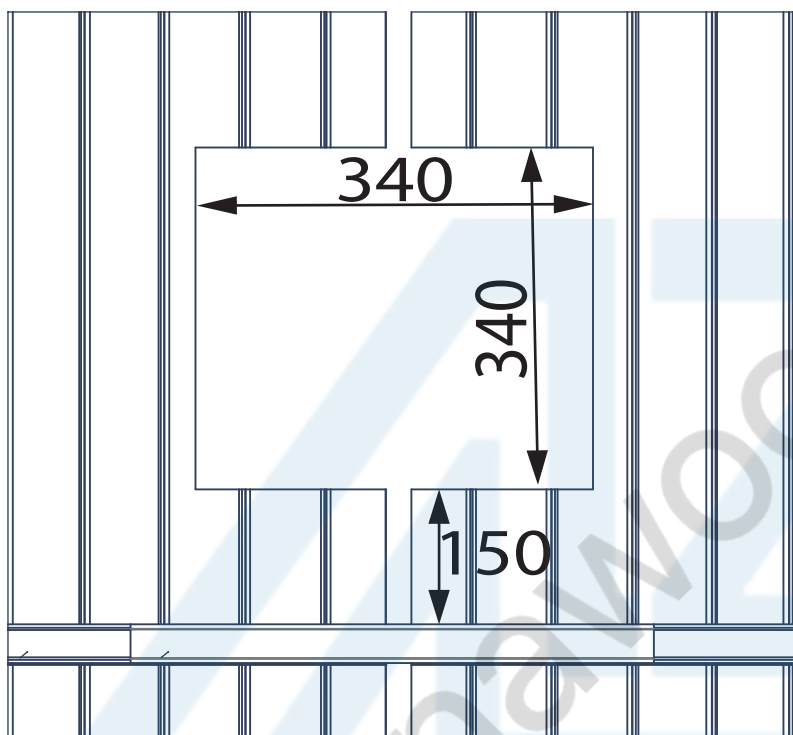
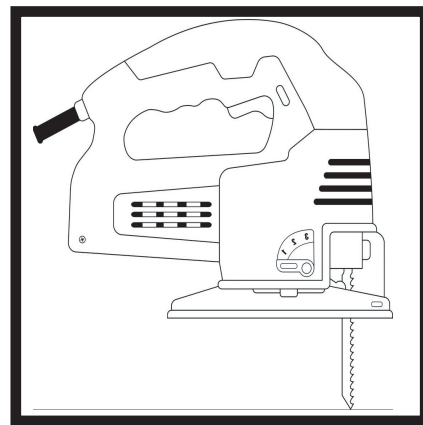
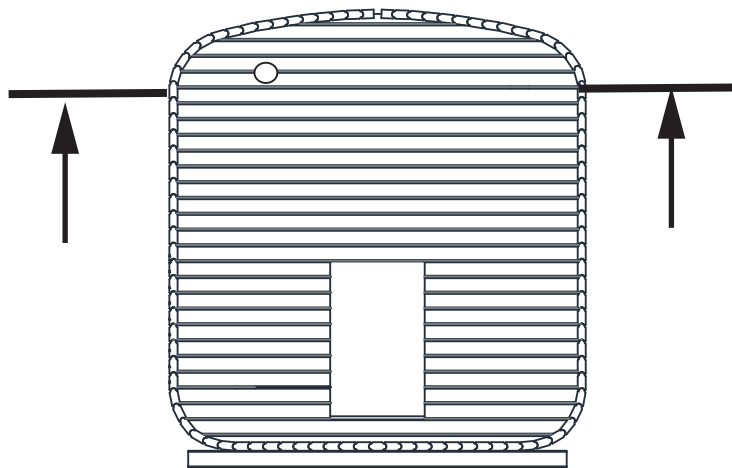


CHL - 1
CHR - 1
R520 - 4
4570 - 16
4460 - 6





Q2 - 1
4241 - 8



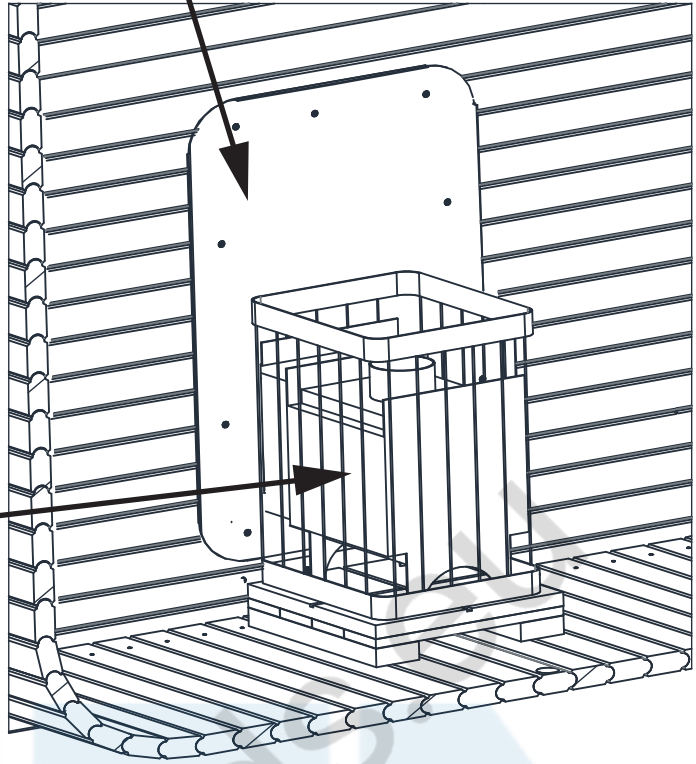
G1 - 1
G2 - 1
G3 - 1
G4 - 1

Q3 - 1
Q4 - 1
4241 - 22

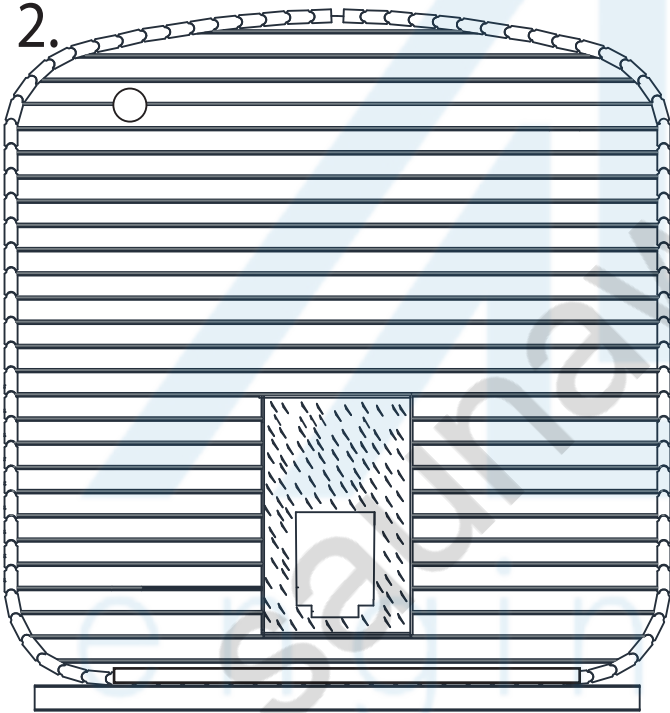
Q3+4241x10

1.

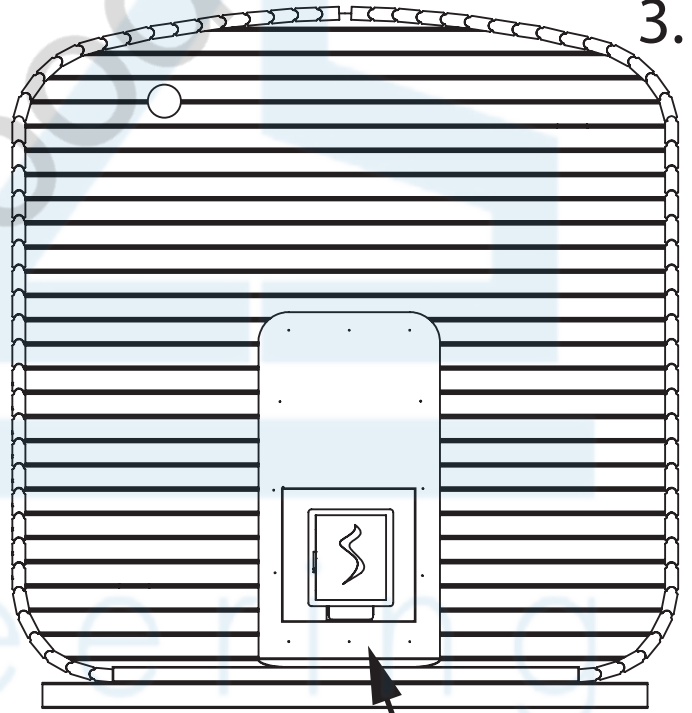
G1+G4



2.

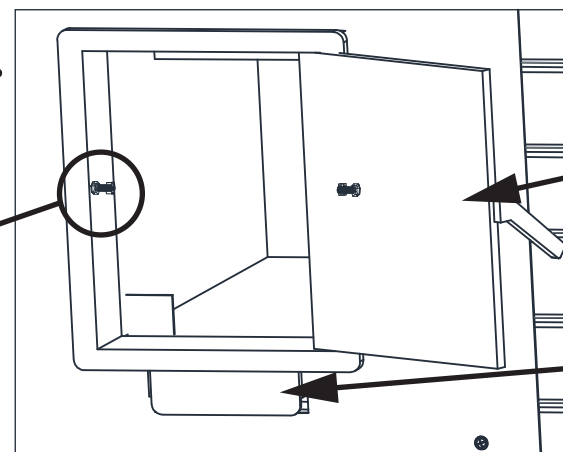
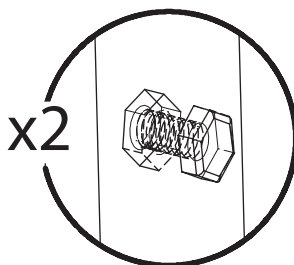


3.



Q4+4241x12

4.



G2

G3

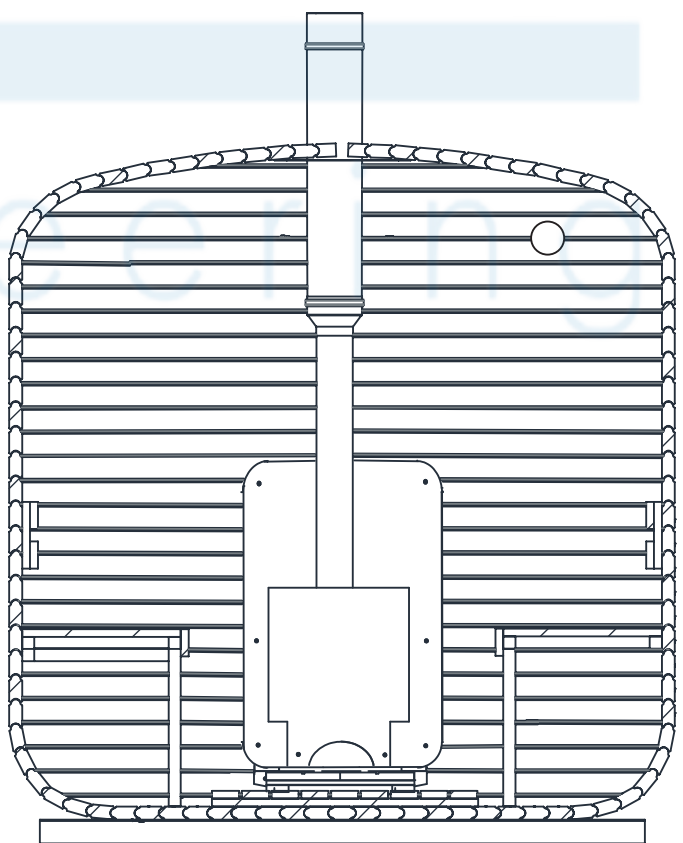
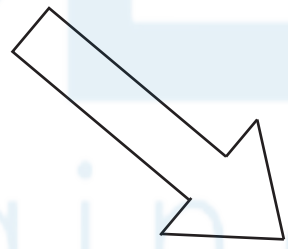
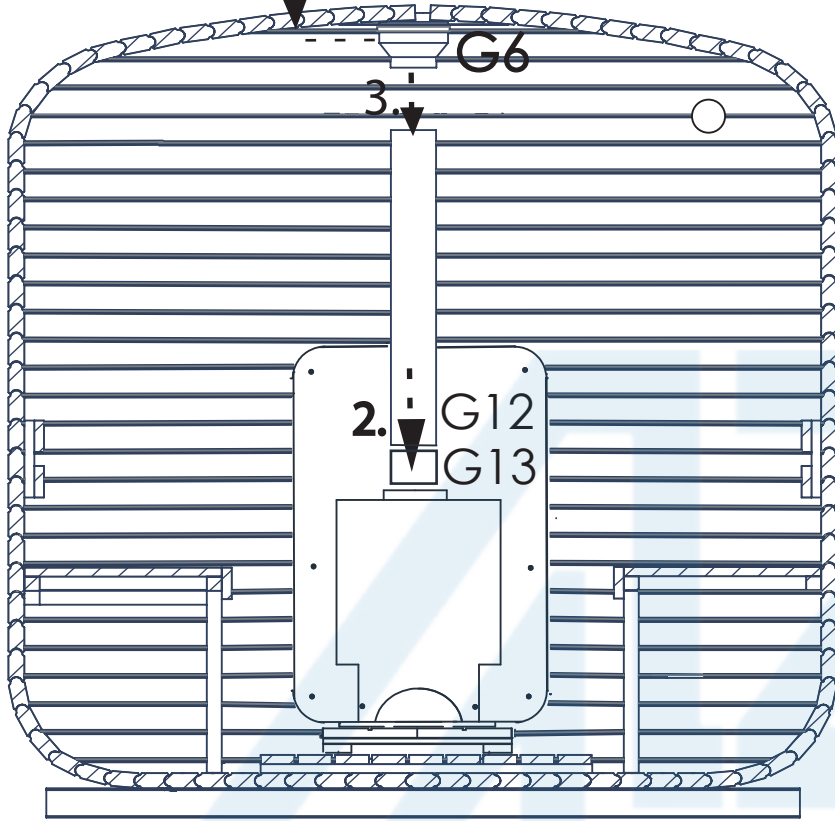
G6 - 1
G7 - 1
G12 - 1
G13 - 1



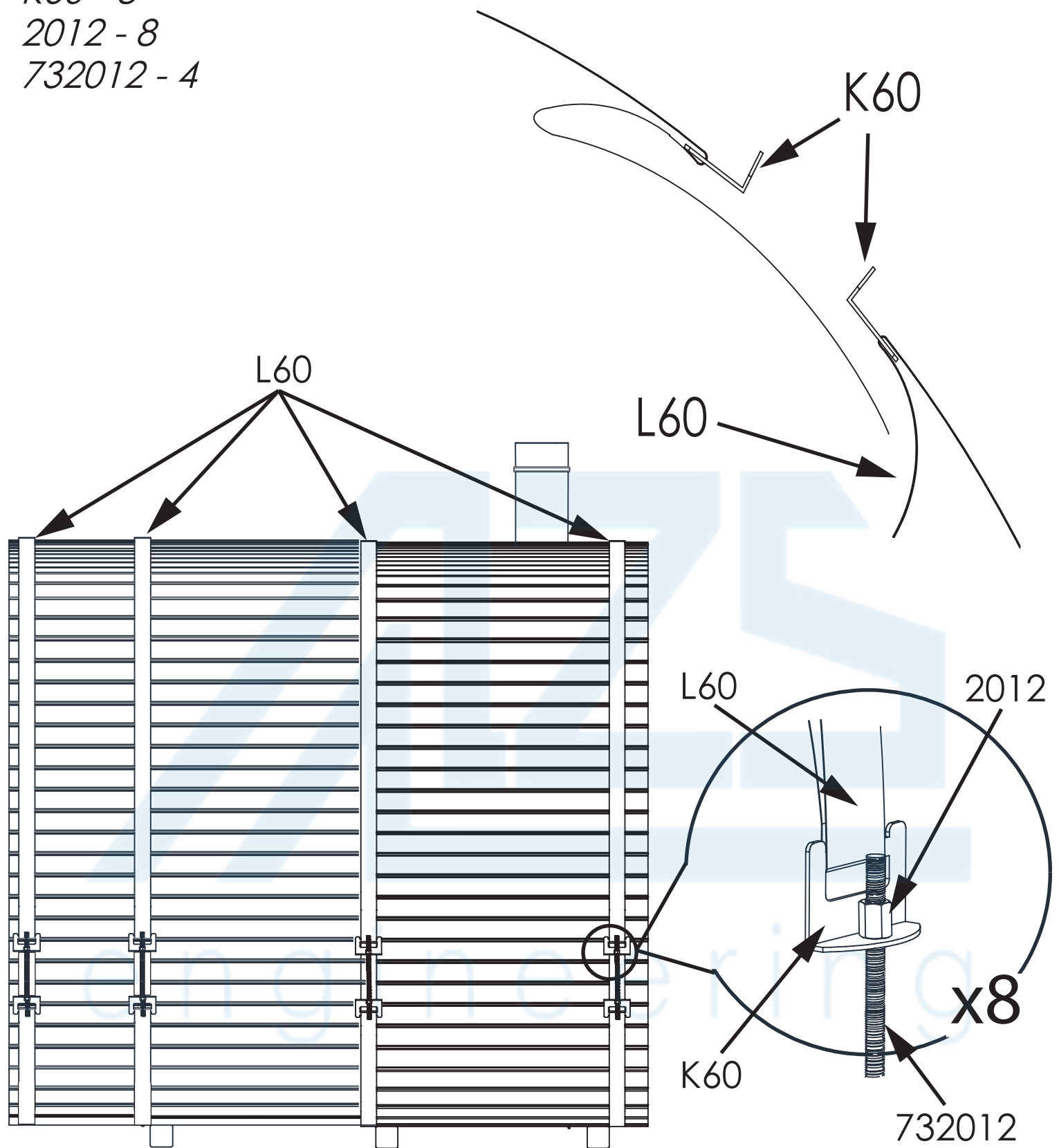
1.↓

3.↓

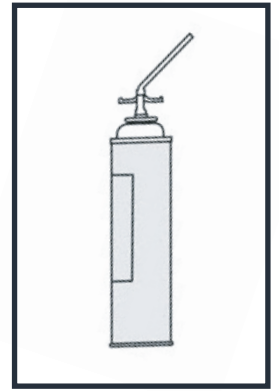
2.↓



L60 - 4
K60 - 8
2012 - 8
732012 - 4



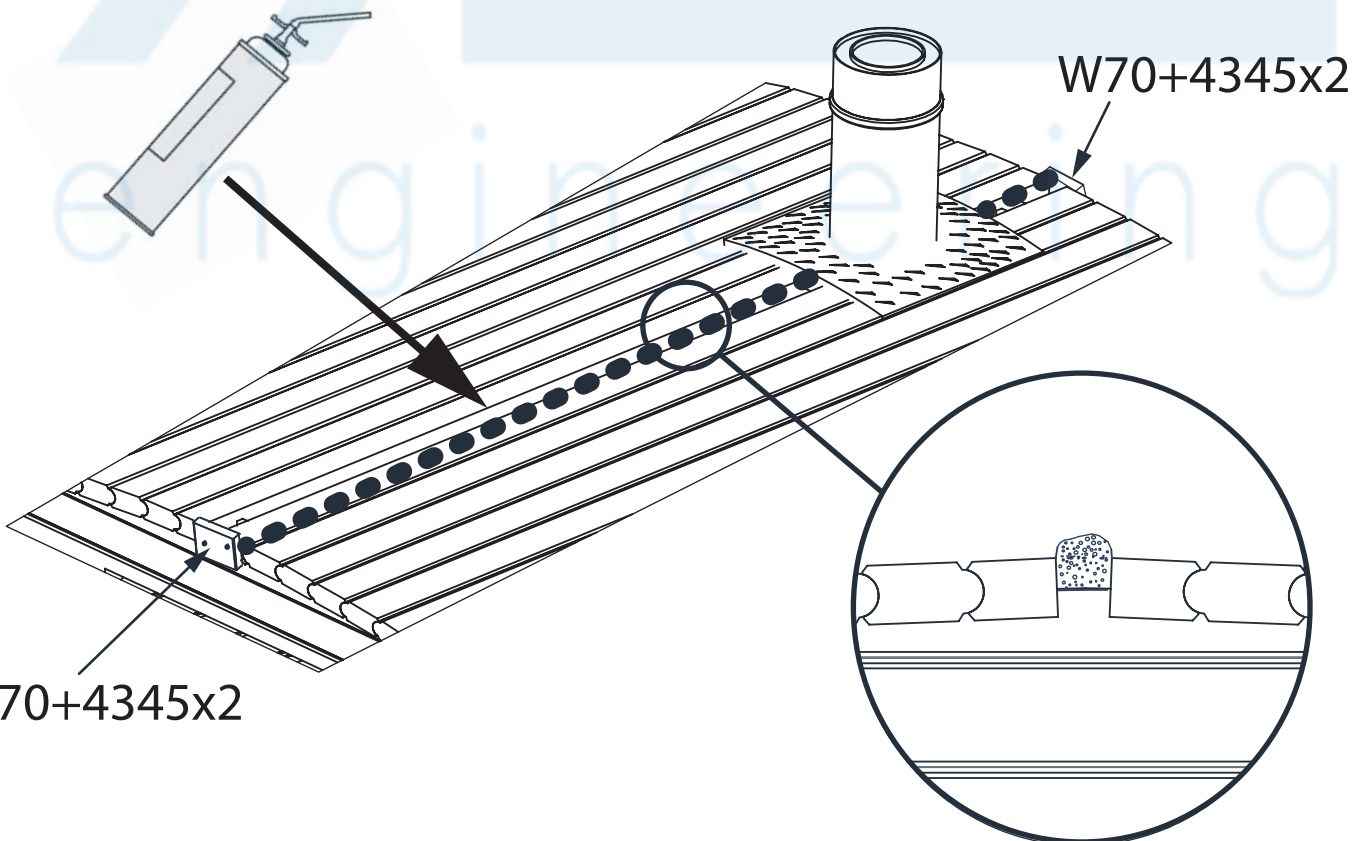
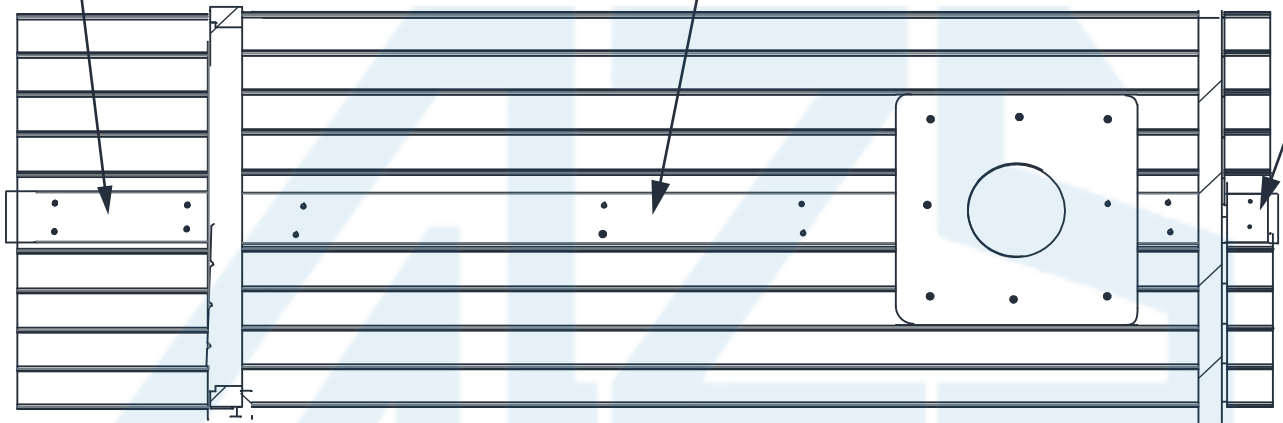
W1750 - 1
W480 - 1
W80 - 1
W70 - 2
4345 - 18



W480+4345x4

W1750+4345x8

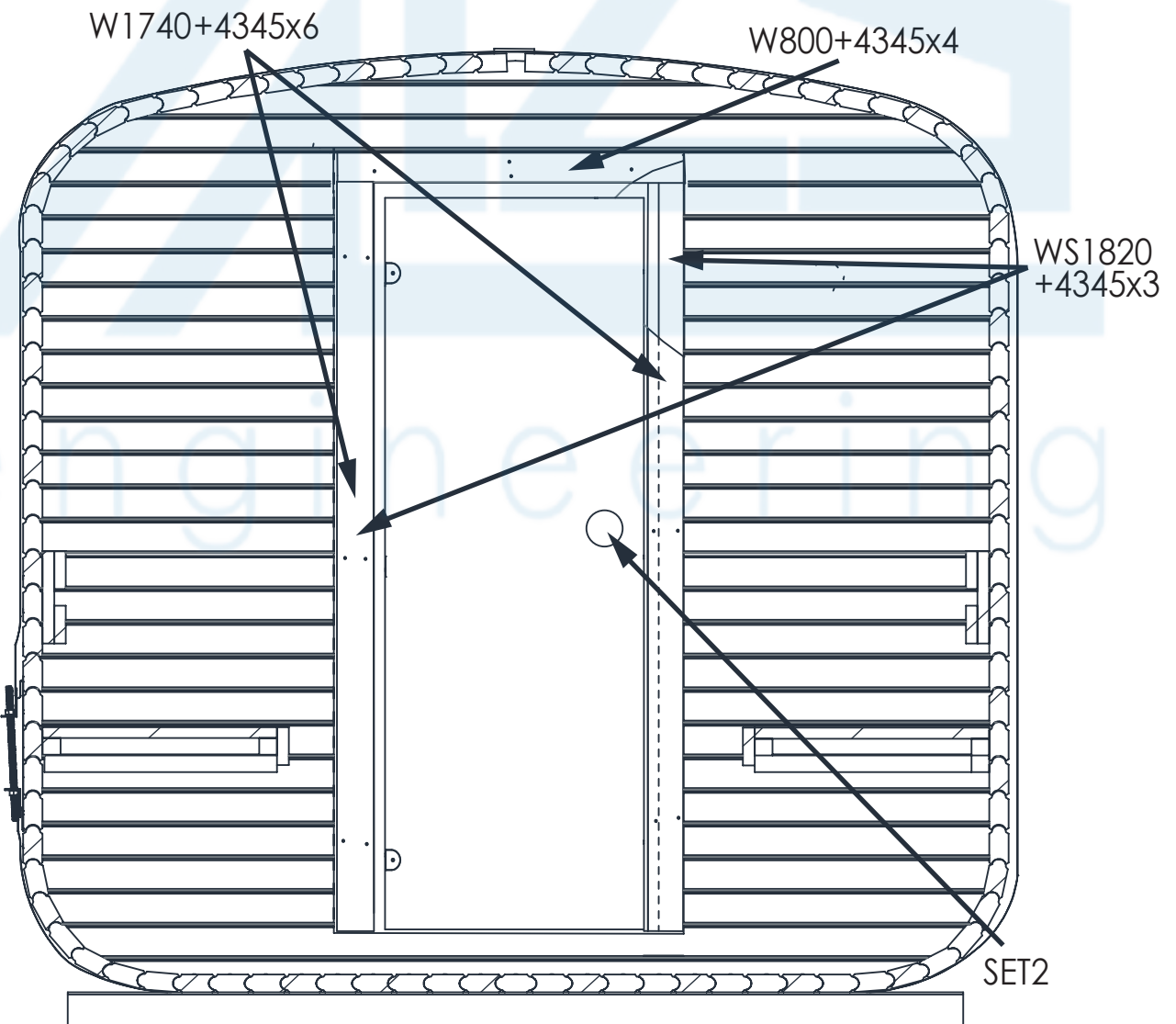
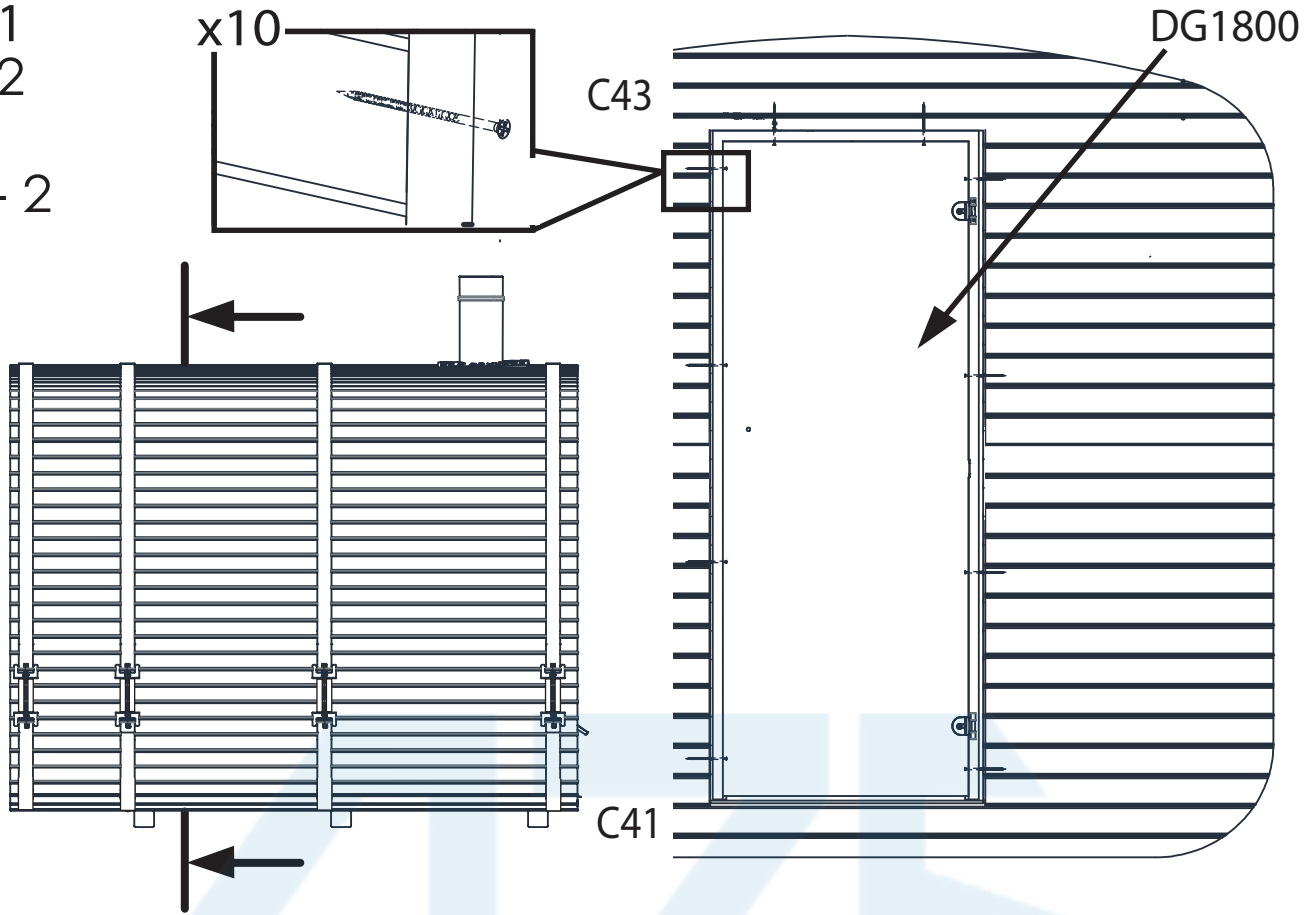
W80+4345x2



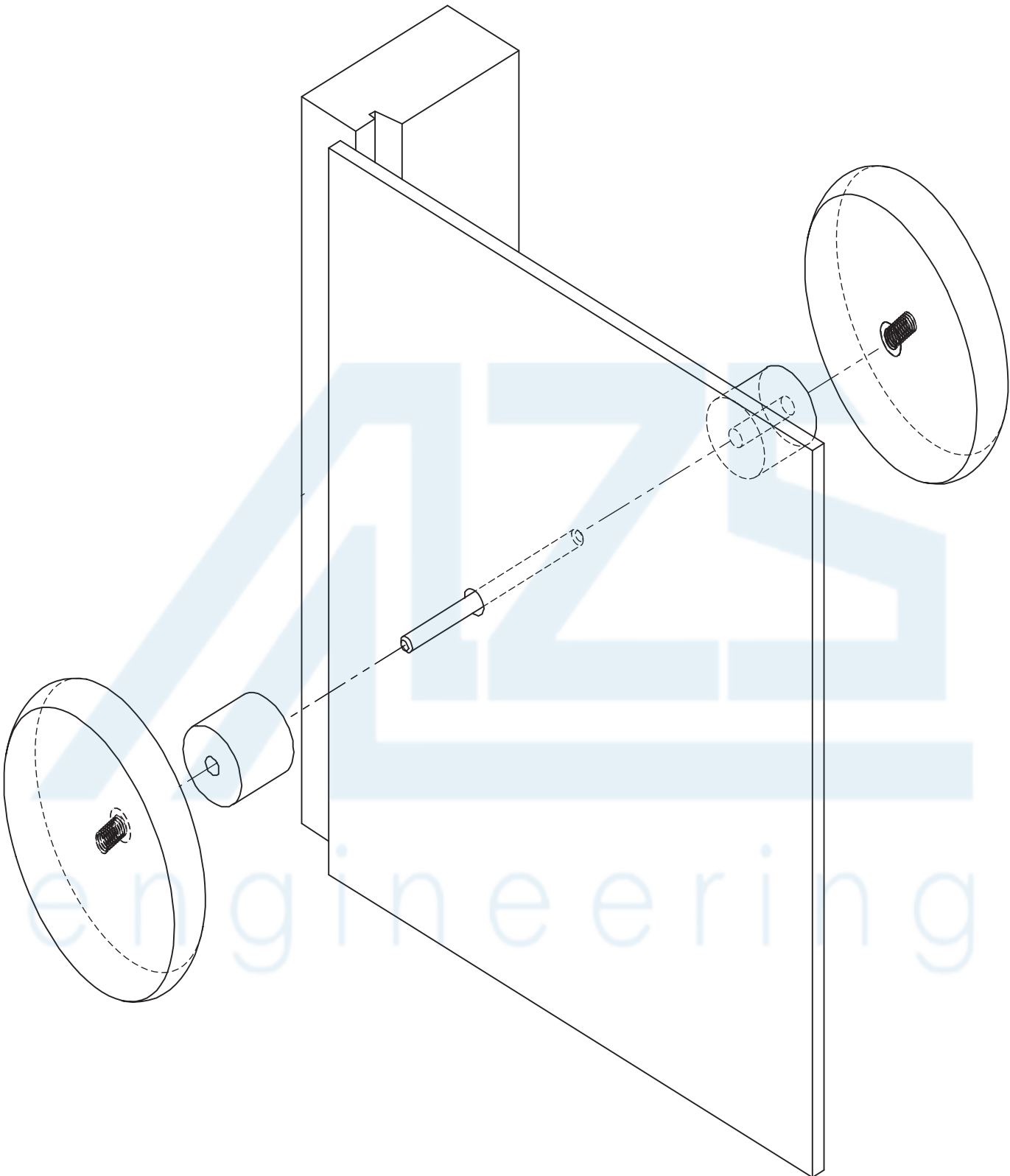
W70+4345x2

W70+4345x2

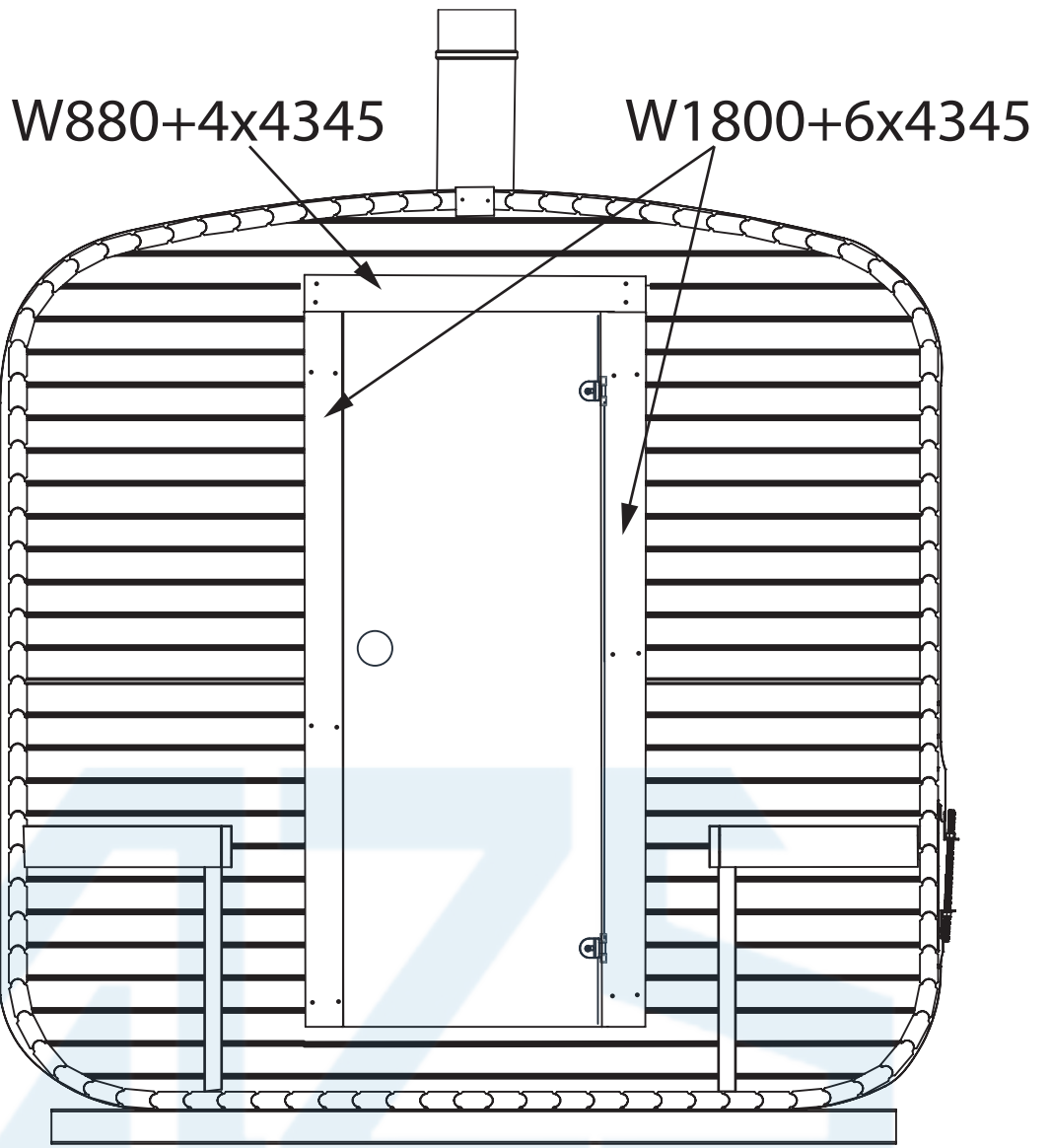
DG1800 - 1
W1740 - 2
W800 - 1
WS1820 - 2
SET2 - 1
4570 - 10
4345 - 22



SET2



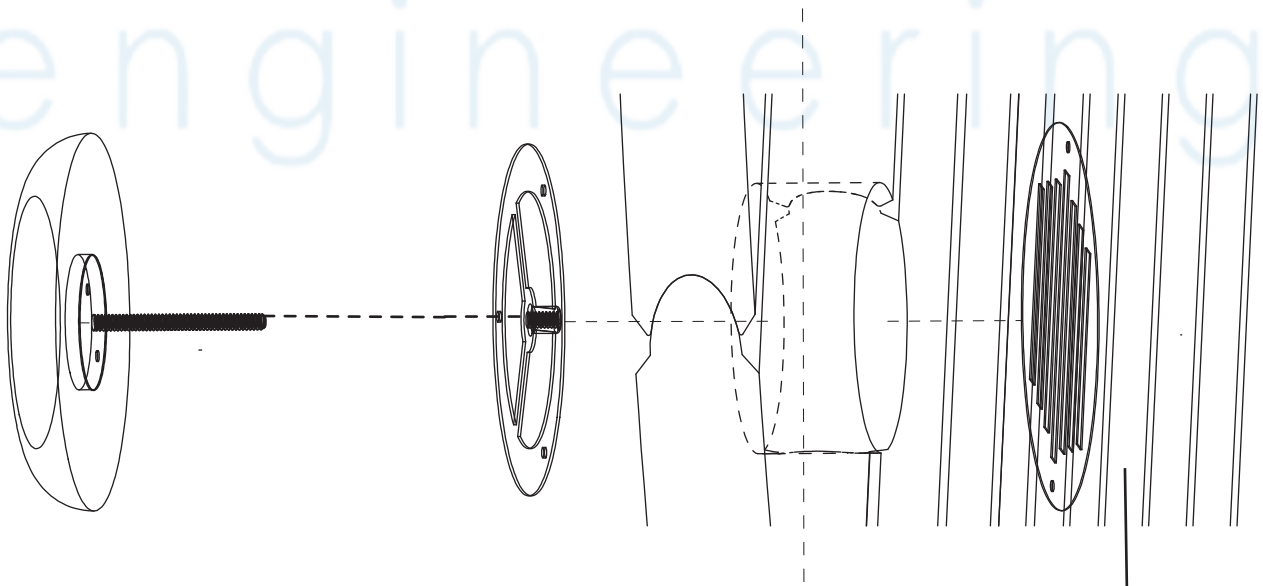
W1800 - 2
W880 - 1
4345 - 16
SET3



SET3

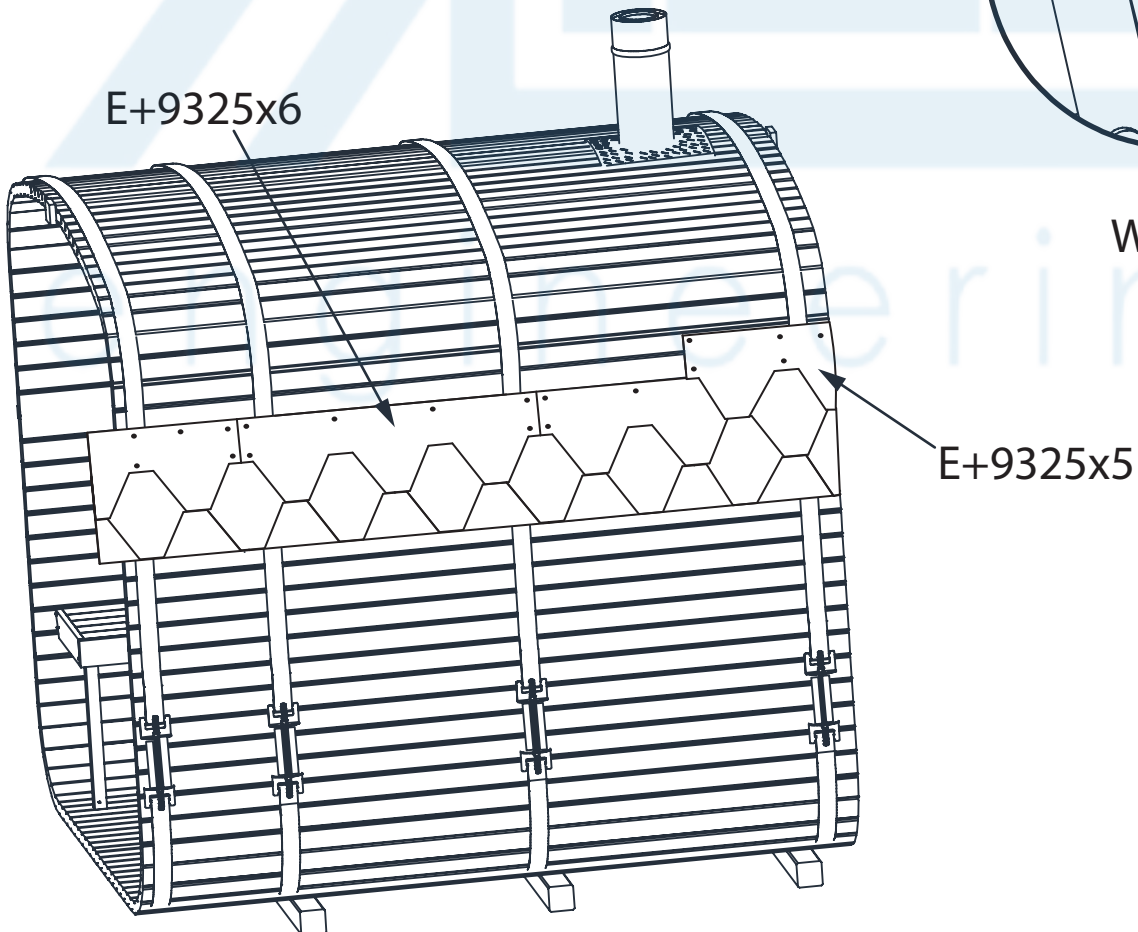
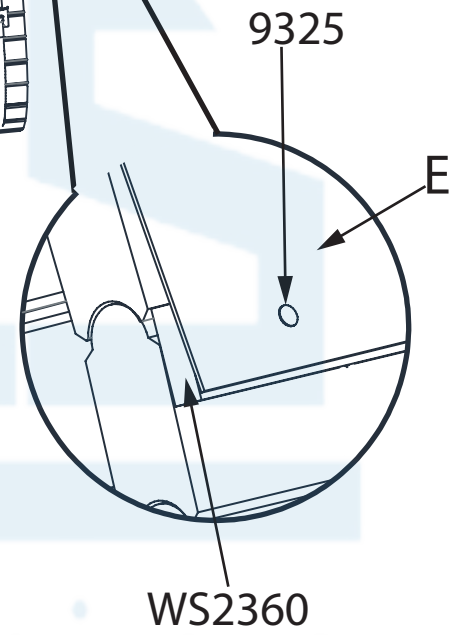
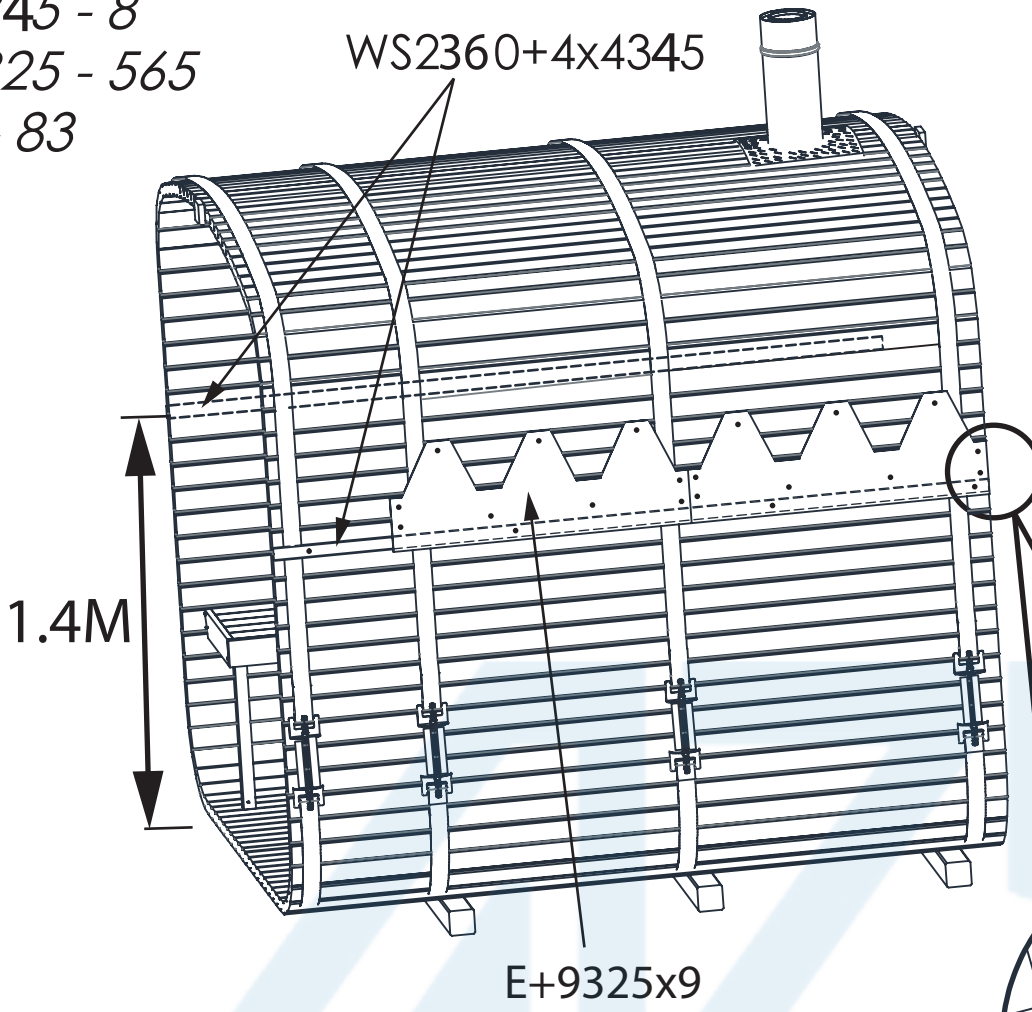
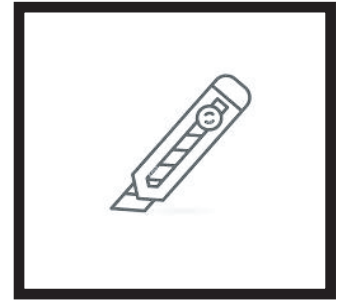
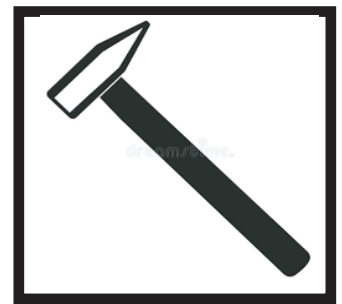
IN

OUT

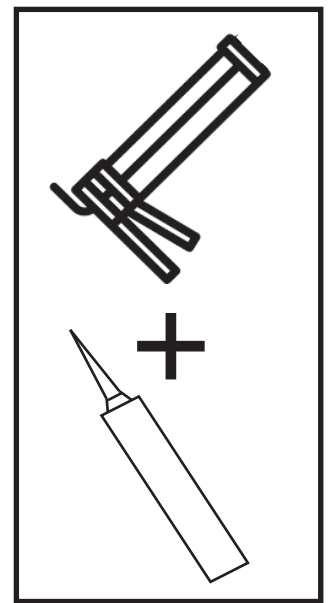
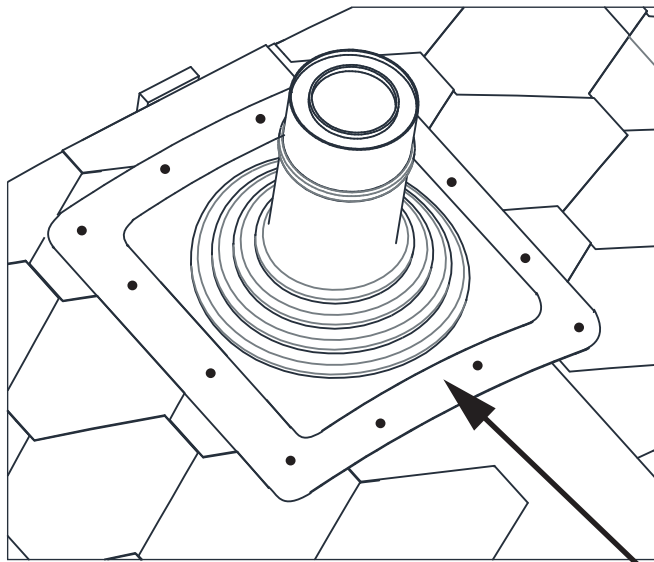


C44

WS2360 - 2
4345 - 8
9325 - 565
E - 83



G8 - 1
G9 - 1
9325 -12



G8 + 12x9325

G9

