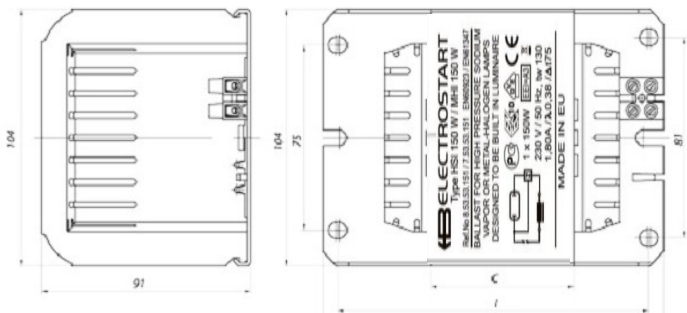


Test Report № 105 / 07.05.13

Ballast type MHI/HSI 150W/230V/50Hz

1. Technical data



Lamp				Ref. No.	Ballast					
Rated Wattage	Rated Voltage	Frequency	Nominal Current		Rated Wattage	Rated Voltage	Frequency	C	l	L
P_l, W	U_n, V	f, Hz	I_l, A		P_n, W	U_n, V	f, Hz	mm	mm	mm
150	230	50	1.80	7/8.53.53.151-4	150	230	50	64	120	145

2. Electrical Data

Nº	Test	Test Results	Requirements	Accordance to	Conclusion
1	Power of the lamp at U_n	$P = 96.27\%$	$95\% < P < 105\%$	IEC 60923 cl.20.1	Confirmed
2	Supply current	$I_s = 1.783$	$1.62 \text{ A} < I_s < 1.98 \text{ A}$	IEC 60923 cl.7	Confirmed
3	Circuit power factor	$\lambda = 0.39$	$\lambda = 0.38 \pm 0.05$	IEC 60923 cl.6	Confirmed
4	Minimum efficiency	$\eta_{\text{ballast}} = 87.11\%$	$\eta_{\text{ballast}} > 85\%$ for EEI=A3	Regulation 245/2009/EC	Confirmed
5	Short-circuit current at $106\%U_n$	$I_{\text{sh.c}} = 2.80\text{A}$	$I_{\text{sh.c}} < 3.00 \text{ A}$	IEC 60923 cl.21, table 4	Confirmed
6	High voltage test	$U_{\text{HV}} = 2\text{kV AC}$	$U_{\text{HV}} = 2\text{kV AC}$	IEC 61347-1 cl.12	Passed
7	Temperature rise normal	$\Delta t = 70.5^\circ\text{C}$	$\Delta t < 75^\circ\text{C}$	EN 61347-2-9 p.14	Confirmed

Conclusion

The ballast has been tested in accordance with *IEC 61347-1*, *IEC 61347-2-9*, *IEC 60923* and *IEC 60662*.

Test results meet the requirements of these standarts.