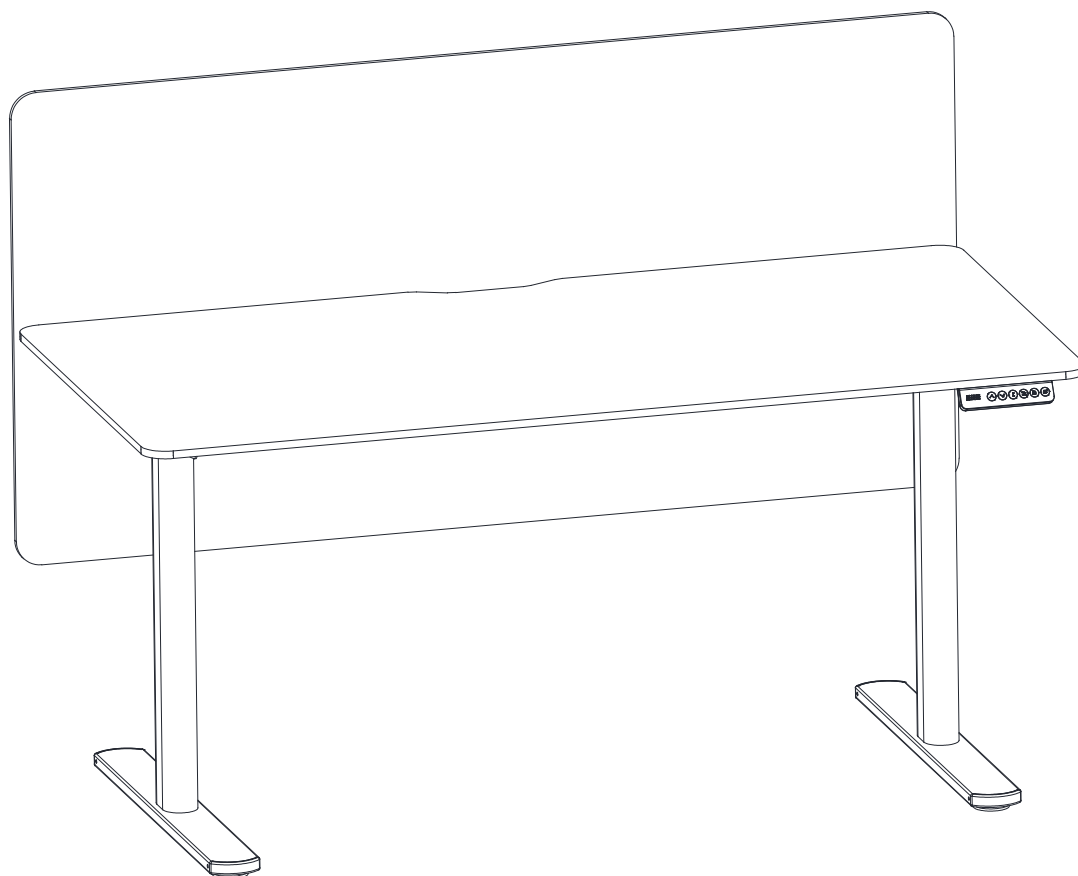


CE



# Double motor lift desk

## Operation guide



Before first use please.  
Read this manual carefully! Be sure to follow the safety instructions!  
Failure to comply can result in dangerous injury!  
Keep this manual with care!



**Please read the important information carefully**

Retain this information for further reference

## Warm reminder

In order to avoid damage and injury caused by improper use, please read this manual carefully before use. It is important to understand and follow the instructions in this user manual. Improper use of this product may result in functional damage or personal injury.

## Safety tips

Please read the following instructions carefully and use the product according to the instructions. Take care of this instruction manual. This instruction manual may not include all details and every detail of the installation steps

## Assembly precautions

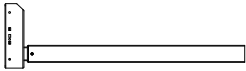
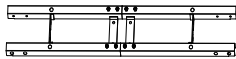
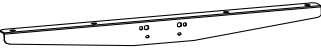
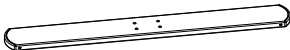
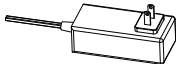
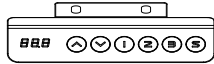
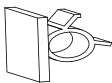


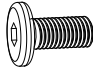
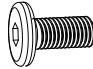





Please strictly follow the assembly instructions and use the product as required. It is recommended that you periodically check the bolts and connection positions of the product to ensure safe use. Please clean the surface with a soft cloth to avoid scratches and damage.

## warning

Parts and packaging materials should be kept away from children and pets during assembly because of the potential hazards of injury and exposure. Avoid sharp objects or corrosive chemicals to prevent product damage. Open the product slowly and carefully, avoiding metal joints that clip into your hands, especially children. Do not force on one side and suffer from sunlight for a long time.

Note: Please reset the device for the first time. Please refer to the manual manual.

# List of parts

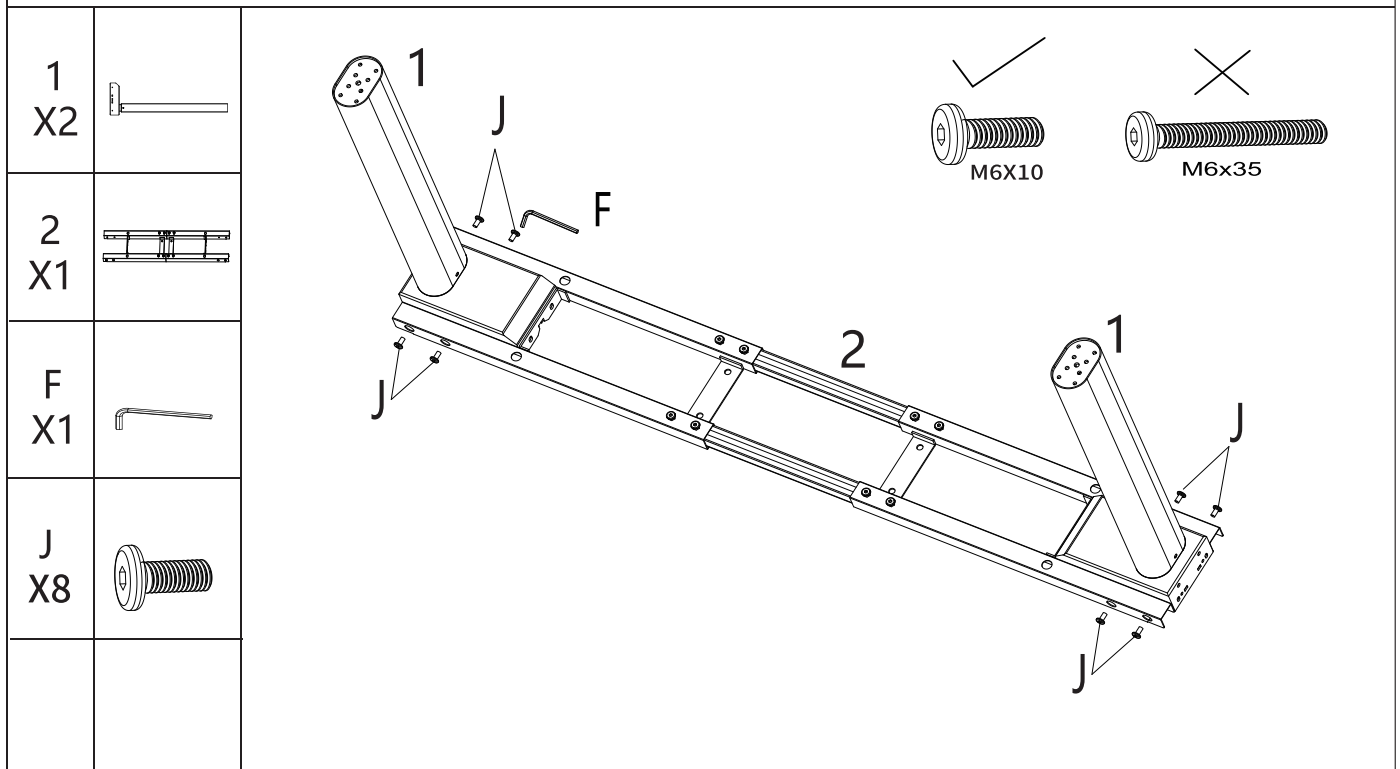
Sequence	Name	Figure	Quantity
1	Table leg		2
2	beam		1
3	Bracket arm		2
4	Foot of table		2
A	power supply		1
B	Manual controller		1
D	Thread buckle		8
E	Foot pad		4
F	4MM wrench		1
J	Screw M6X10		36
H	Screw M6X8		6
M	Motor extension cable		1
L	Screw M6X35		10
N	Electric wrench		1
O	Hanging code		2
P	cover		2

Kind reminder:

There is a backup quantity of screws, please keep them properly for future use.

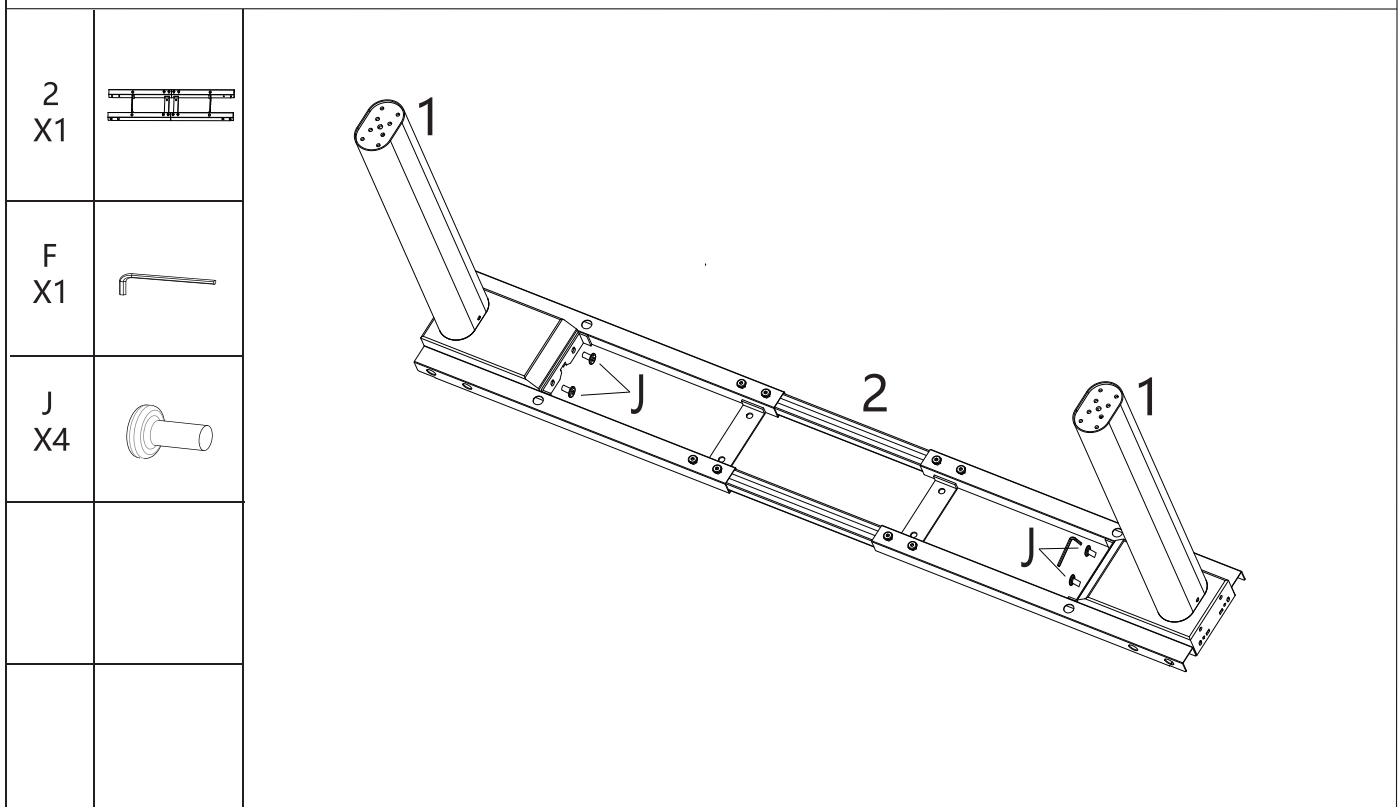
## Step 1: Beam 1 Install the beam

- Place the table leg (1) horizontally on the ground, and note that the motor box faces inward as shown below.
- The middle wire of the beam (2) is loosened outward to facilitate the pulling and assembling.
- Assemble the beam (2) and leg (1) using 4MM plate handle (F) with M6X10 screws (J)



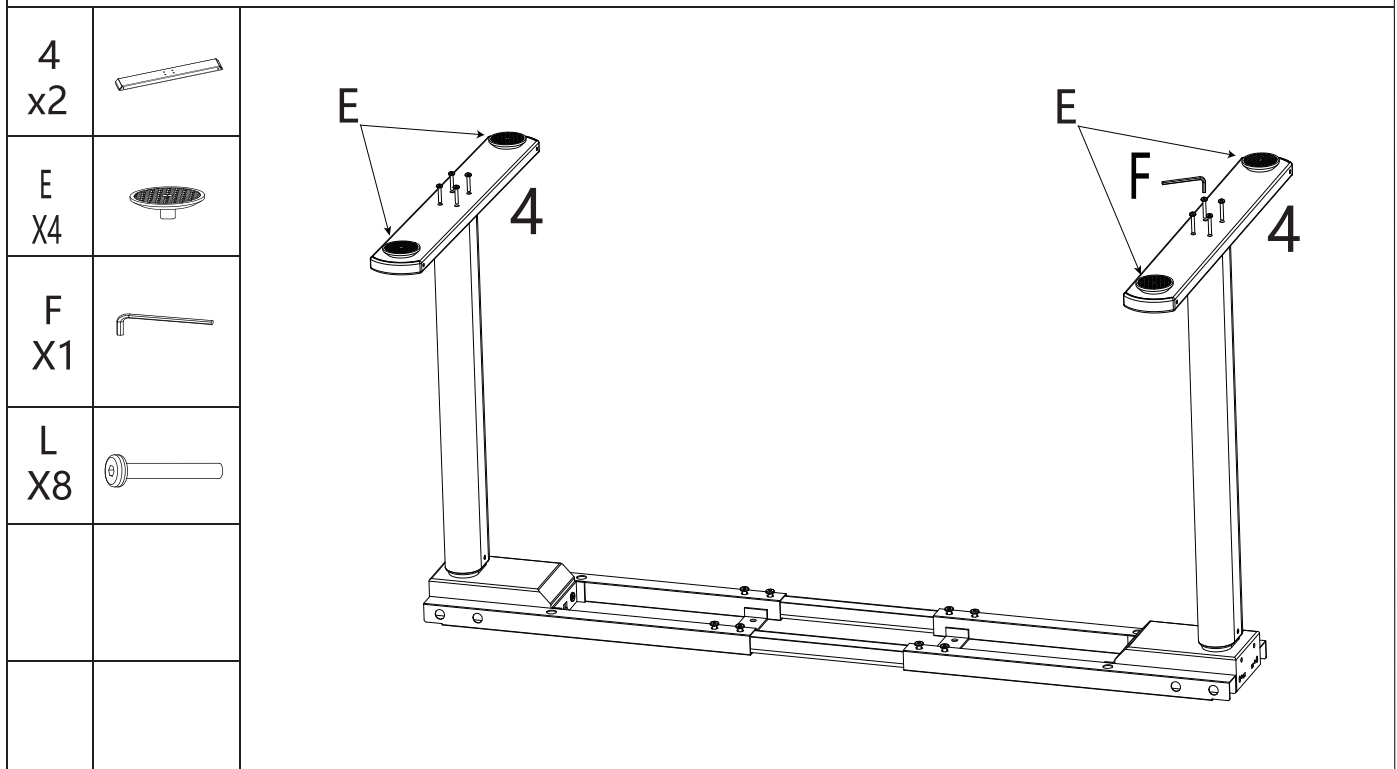
## Step 2: Install beam 2

- Assemble the beam (2) and leg (1) using 4MM plate handle (F) with M6X10 screws (J)



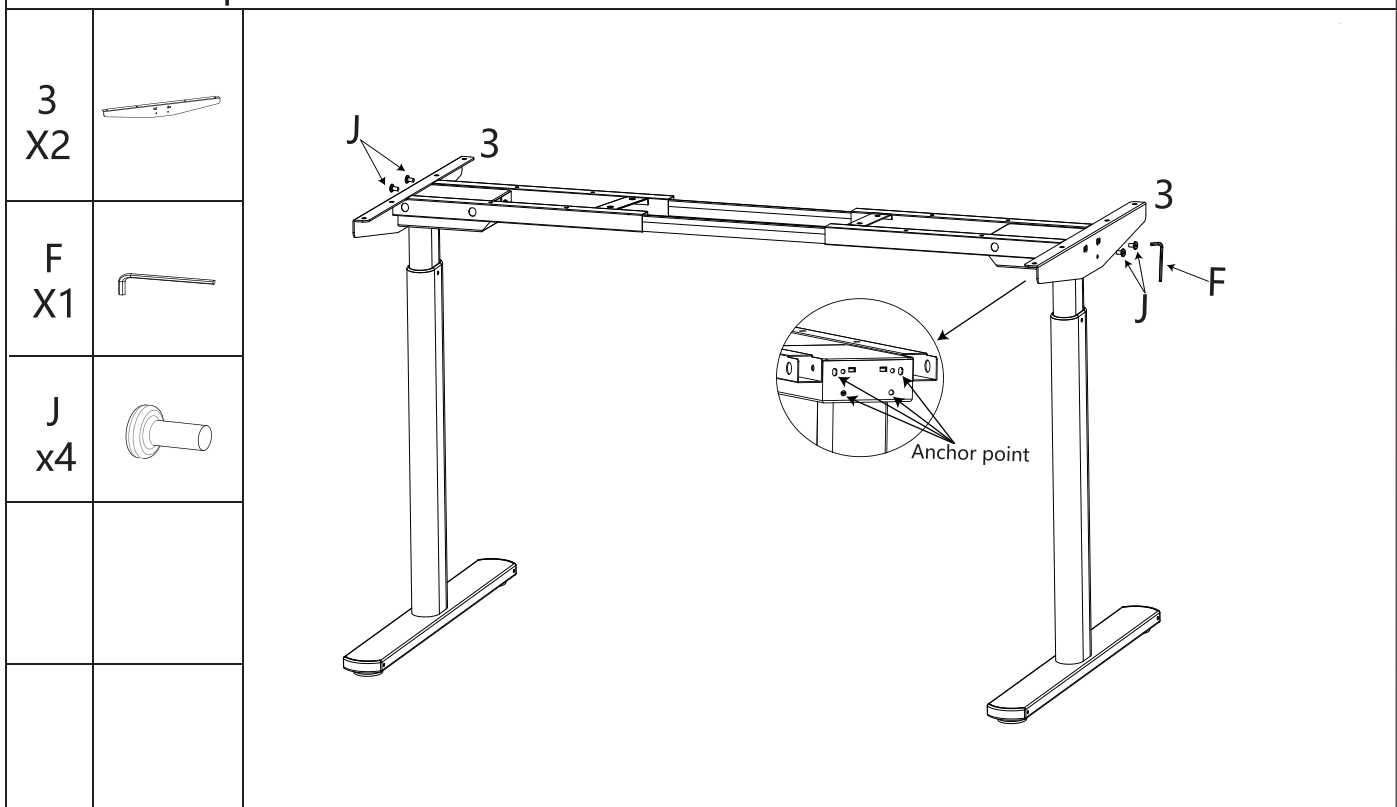
## Step 3: Table foot, foot pad, controller installation

- Place the legs up, align the mounting holes and fix the assembly with a 4MM wrench (F) and M6\*35 screws (L). Do the same on the other side.
- The foot pad (E) shall be installed in the position specified by the foundation and tightened.



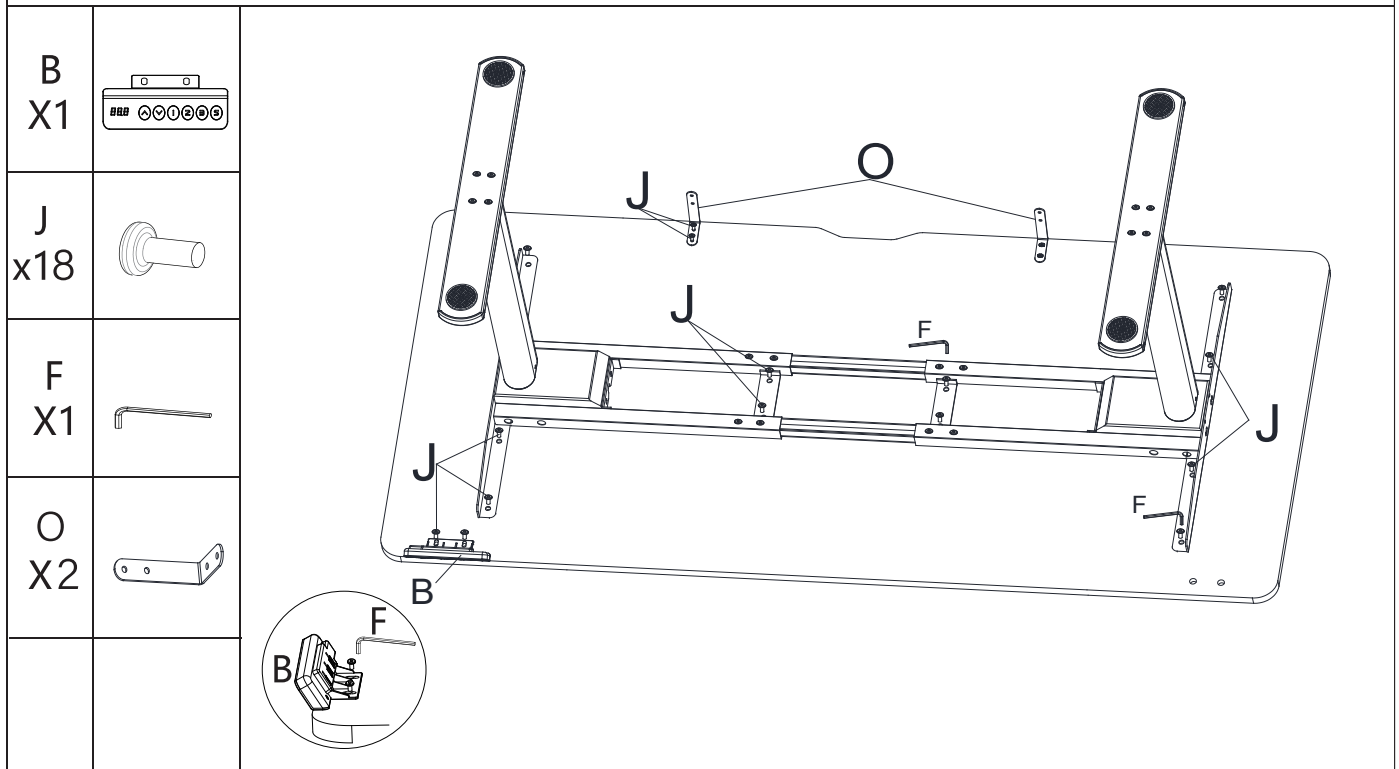
## Step 4: Bracket installation

- Assemble the bracket (3) using a 4MM wrench (F) and M6X10 screws (J). Do the same on the other side.
- Note that the support arm and the anchor point of the table frame need to correspond.



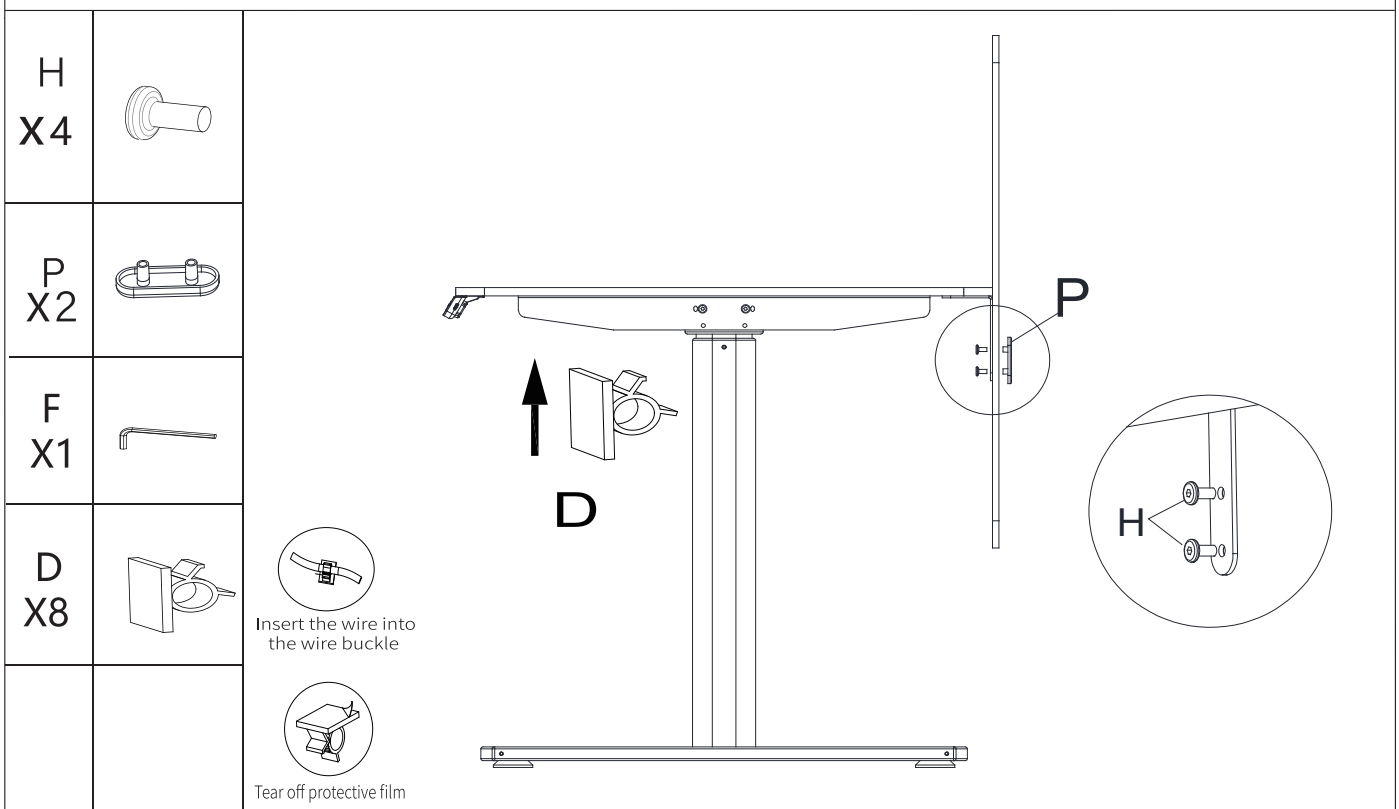
## Step 5: Manual controller and panel installation

- Assemble the hand controller (B) to the panel using a 4MM wrench (F) and M6X10 screws (J).
- Assemble the panel and table stand using a 4MM wrench (F) with M6X10 screws (J) and tighten all screws



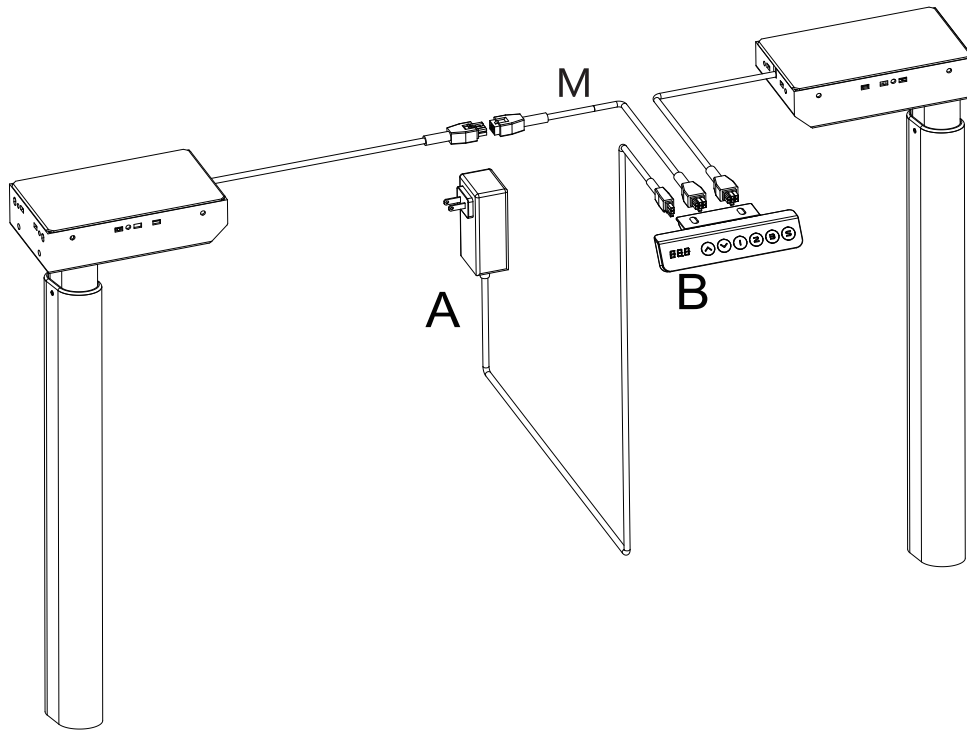
## Step 6: Install the outlet box

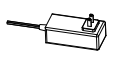

- Lift the screen and align it with the hole position of the hanging code Clamp the screen with screws M6x8 and decorative cover (P) Tighten the screws together with the suspension code
- The cable tie (D) is used as a wire trimming tool. Remove the adhesive backing and tape the wire through the round hole to the appropriate position on the table top.

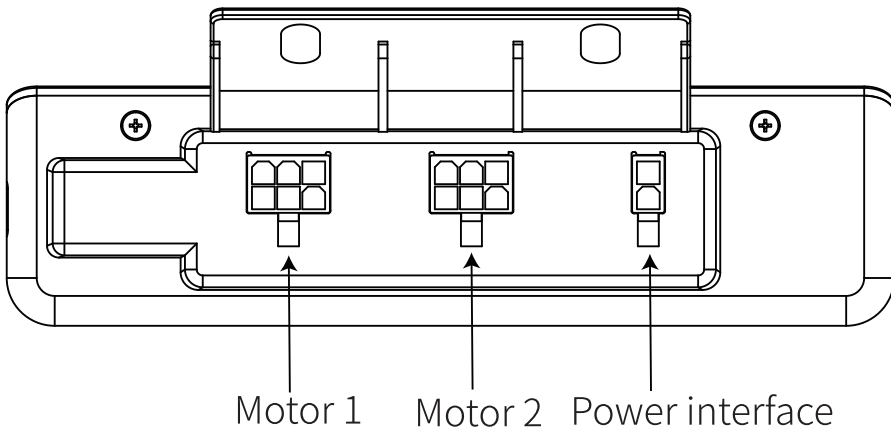


# Step 7: Wire controlled installation

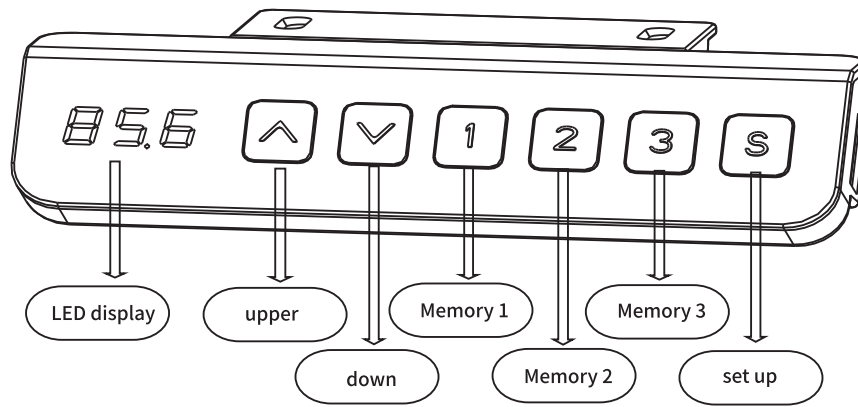
- Extension cable (M), connect to either end of the motor wire
- Power supply (A), connected to the controller power interface
- Motor input terminals, connected to the output interfaces of controller motor 1 and motor 2



A	
M	
X1	



# Manual controller operation instructions



Operation procedure	Operating instruction
<b>Height adjustment</b>	Rise: Hold down "^". Fall: hold down "v".
<b>Memory storage</b>	Click the S key, and the height value will start flashing. At this time, press the number 1 key to save the current height to the corresponding position. The settings for numbers 2 and 3 are the same as those for number 1
<b>Reset Settings</b>	Simultaneously press and hold "^" and "v", the LED screen will start flashing, and the table will slowly descend, automatically lowering to the lowest level to display the LED screen's digits. The reset is successful.
<b>Safe child lock</b>	<p><b>Lock setting:</b> Press and hold the S key for 3 seconds. When the LED screen displays "SET", press the number key 3 once to enter the lock screen state. At this time, the LED screen will flash and display "OFF"</p> <p><b>Unlocking setting:</b> In the lock screen state, press the S key for 3 seconds, and the LED screen will display the height value. At this time, release the S key to complete the unlocking process</p>
<b>advanced setting</b>	<p>Menu settings: Press and hold the S button for 6 seconds, and when the LED screen displays "HLP", release the S button. At this time, the LED screen flashes alternately to display "HLP" and the current height value:</p> <ol style="list-style-type: none"> <li>1. Press the number key 1, the LED screen will flash to display "H-P", and press the S key to save the current value.</li> <li>2. Press the number key 2, the LED screen will flash and display "L-P". Press the S key to save the current value.</li> </ol> <p>Exit Settings: 1. When the LED screen flashes alternately to display "HLP" and the current height value, if the S key is not pressed to confirm within 15 seconds, the setting mode will be exited. 2. When the LED screen flashes alternately to display "HLP" and the current height value, the current height value can be adjusted by using the up or down keys. When the LED screen flashes alternately to display "HLP" and the current height value, press the number key 3 to directly delete the set maximum and minimum heights:</p>

<p><b>Rebound when encountering obstacles</b></p>	<p>Settings: Long press and hold the S button for 3 seconds. When the LED screen displays "SET", release the S button and press the number key 2 to enter sensitivity settings. At this time, the LED screen flashes alternately to display "cpt" and the current sensitivity value. Adjust the sensitivity value by using the up or down button, and press the S button to save the current setting</p> <ol style="list-style-type: none"> <li>1. Sensitivity 0/1/2/3/4, the higher the number, the higher the sensitivity</li> <li>2. When the LED screen flashes alternately to display "cpt" and the current sensitivity value, the S key is not used to save confirmation, and the system automatically saves the current unit setting for 15 seconds</li> </ol>
<p><b>Unit conversion</b></p>	<p>Long press and hold the S key for 3 seconds. When the LED screen displays "SET", release the S key and press the number key 1 to enter the unit conversion setting. At this time, the LED screen flashes alternately to display "unt" and the current height value. Adjust the unit by pressing the up or down button, and press the S key to save the current setting.</p>
<p><b>Restore factory settings</b></p>	<p>Press and hold the S key for 9 seconds. When the LED screen displays "FAC", release the S key and operate it again to restore the factory settings.</p> <p>After restoring the factory settings, clear the memory position, height range, sensitivity, and units that have been set</p>

**Troubleshooting guide:**

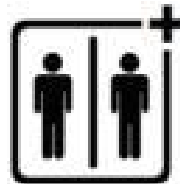
If your lifting table is not working properly, try to reset the setting.

If any error codes occur, reset the Settings.

If it does not work after the reset, please contact us for more help.

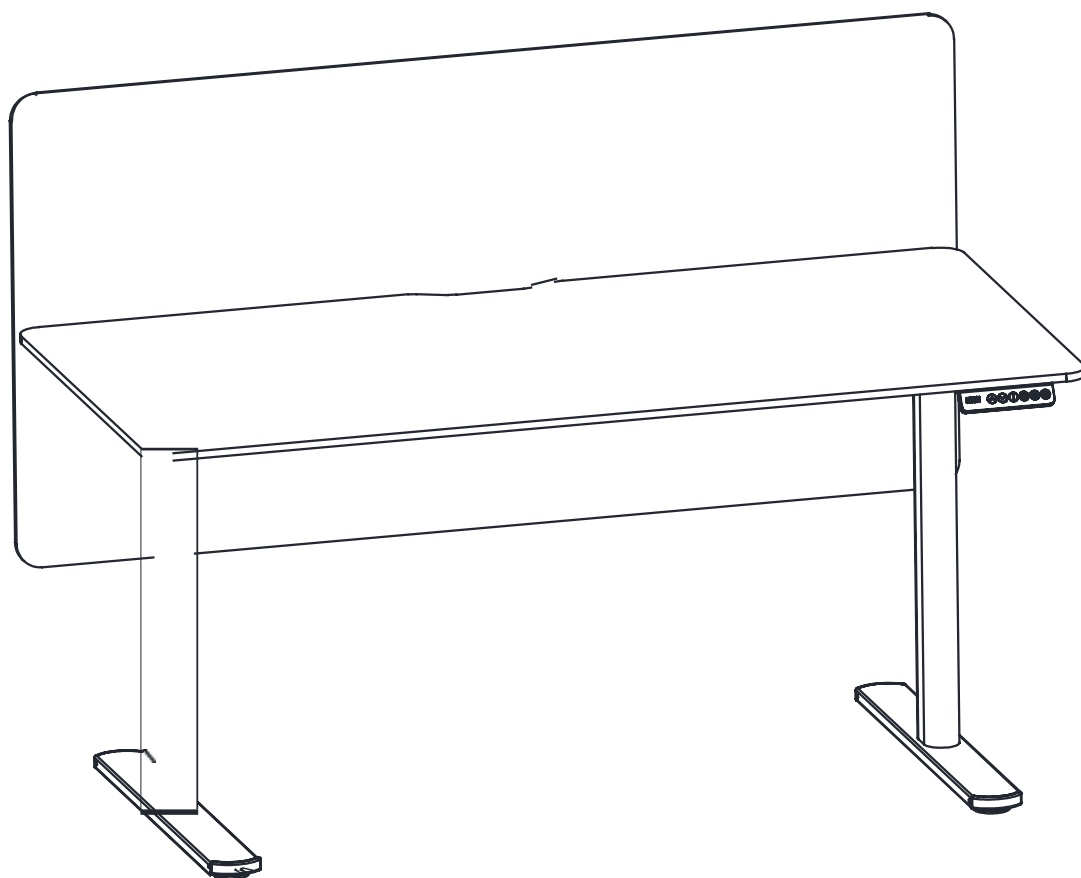
**Care and maintenance:**

1. Use a clean soft cloth to remove dust from the surface during routine maintenance. Do not wipe the table surface with damp cloth or hard material.
2. Avoid contact with acidic chemicals.
3. For slight scratches, wipe gently with a soft cloth to smooth the scratches. Do not stick adhesive items directly on the outer surface of the metal foot to prevent the surface from falling off.



# Podnośnik biurkowy z podwójnym silnikiem

## Instrukcja obsługi



Przed pierwszym użyciem.

Uważnie przeczytać niniejszą instrukcję! Należy przestrzegać instrukcji bezpieczeństwa!

Niezastosowanie się do nich może spowodować niebezpieczne obrażenia!  
Przechowuj niniejszą instrukcję z należytą starannością!



**Prosimy o uważne przeczytanie**

**Zachowaj ważne informacje do późniejszego wykorzystania**

## Ciepłe przypomnienie

Aby uniknąć uszkodzeń i obrażeń spowodowanych niewłaściwym użytkowaniem, przed użyciem należy uważnie przeczytać niniejszą instrukcję. Ważne jest, aby zrozumieć i postępować zgodnie z instrukcjami zawartymi w niniejszej instrukcji obsługi. Niewłaściwe użytkowanie tego produktu może spowodować uszkodzenie jego funkcji lub obrażenia ciała.

## Wskazówki bezpieczeństwa

Należy uważnie przeczytać poniższe instrukcje i używać produktu zgodnie z nimi. Należy dbać o niniejszą instrukcję obsługi. Niniejsza instrukcja może nie zawierać wszystkich szczegółów i wszystkich etapów instalacji.

## Środki ostrożności przy montażu

Należy ściśle przestrzegać instrukcji montażu i używać produktu zgodnie z wymaganiami. Zaleca się okresowe sprawdzanie śrub i pozycji połączeń produktu w celu zapewnienia bezpiecznego użytkowania. powierzchnię należy czyścić miękką ściereczką, aby uniknąć zarysowań i uszkodzeń.

















## Ostrzeżenie

Części i materiały opakowaniowe powinny być trzymane z dala od dzieci i zwierząt domowych podczas montażu ze względu na potencjalne ryzyko obrażeń i narażenia.

Należy unikać ostrych przedmiotów lub żrących chemikaliów, aby zapobiec uszkodzeniu produktu. Produkt należy otwierać powoli i ostrożnie, unikając metalowych połączeń, które mogą wbić się w dłoń, zwłaszcza dzieci. Nie otwierać produktu na siłę z jednej strony i nie wystawiać go na działanie promieni słonecznych przez dłuższy czas.

Uwaga: należy zresetować urządzenie po raz pierwszy. należy zapoznać się z instrukcją obsługi.

## List of parts

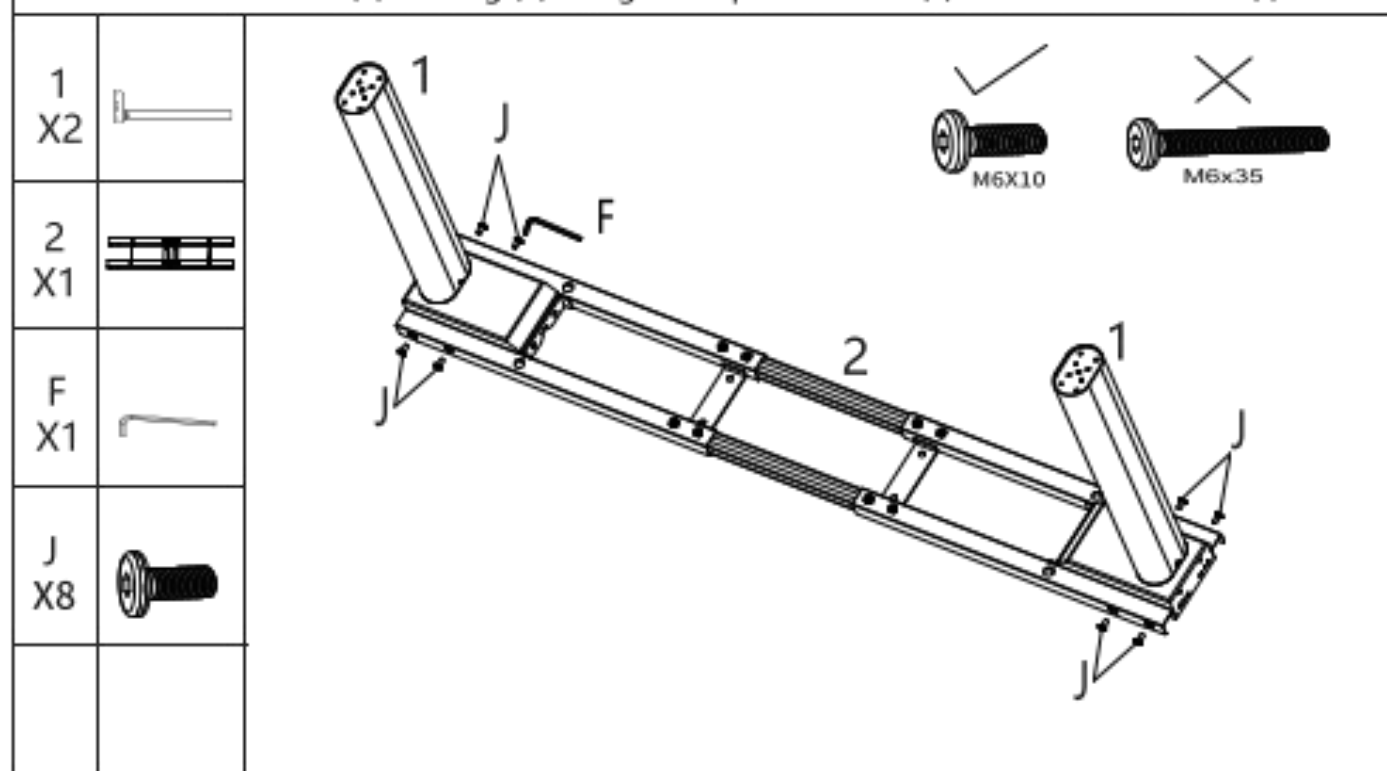
Sequence	Name	Figure	Quantity
1	Table leg		2
2	beam		1
3	Bracket arm		2
4	Foot of table		2
A	power supply		1
B	Manual controller		1
D	Thread buckle		8
E	Foot pad		4
F	4MM wrench		1
J	Screw M6X10		36
H	Screw M6X8		6
M	Motor extension cable		1
L	Screw M6X35		10
N	Electric wrench		1
O	Hanging code		2
P	cover		2

Kind reminder:

There is a backup quantity of screws, please keep them properly for future use.

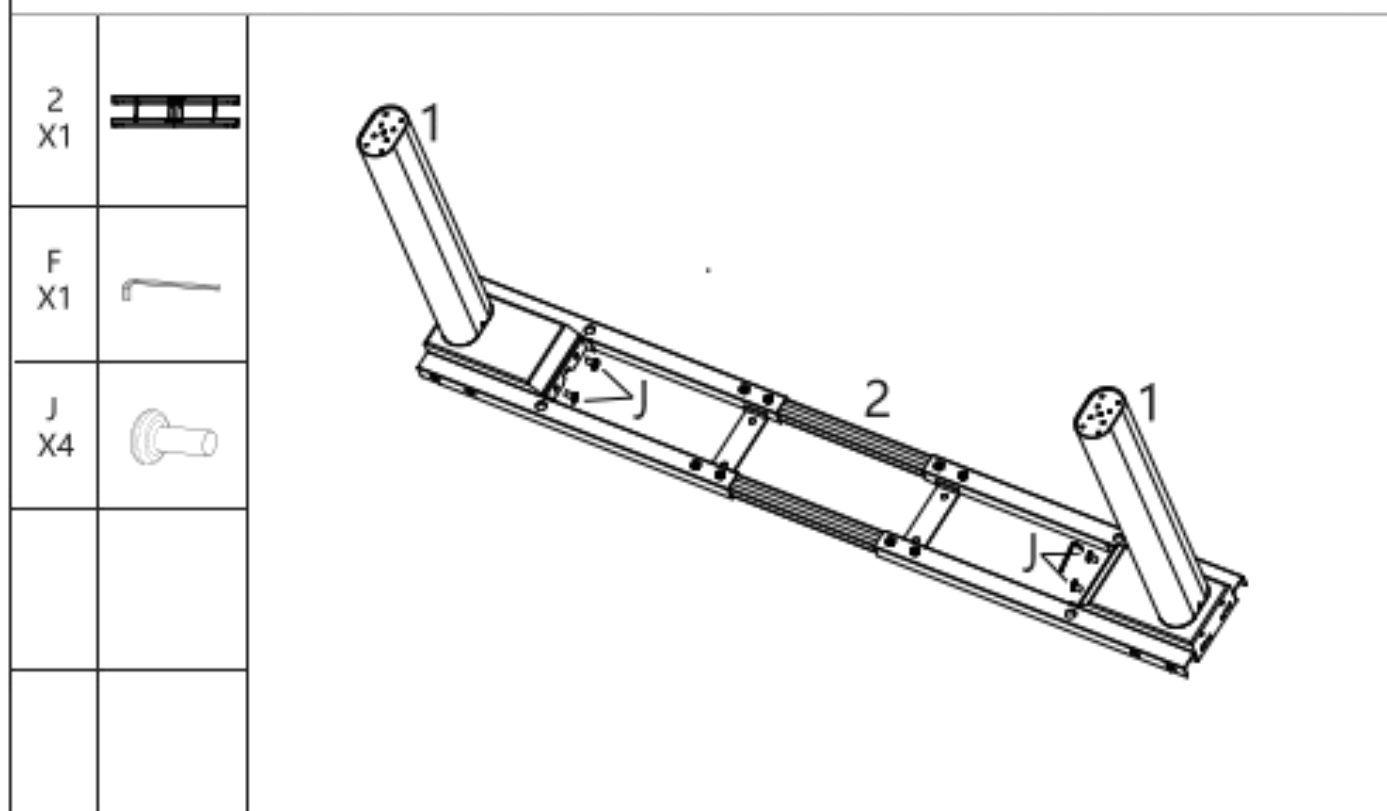
## Step 1: Beam 1 Install the beam

- Place the table leg (1) horizontally on the ground, and note that the motor box faces inward as shown below.
- The middle wire of the beam (2) is loosened outward to facilitate the pulling and assembling.
- Assemble the beam (2) and leg (1) using 4MM plate handle (F) with M6X10 screws (J)



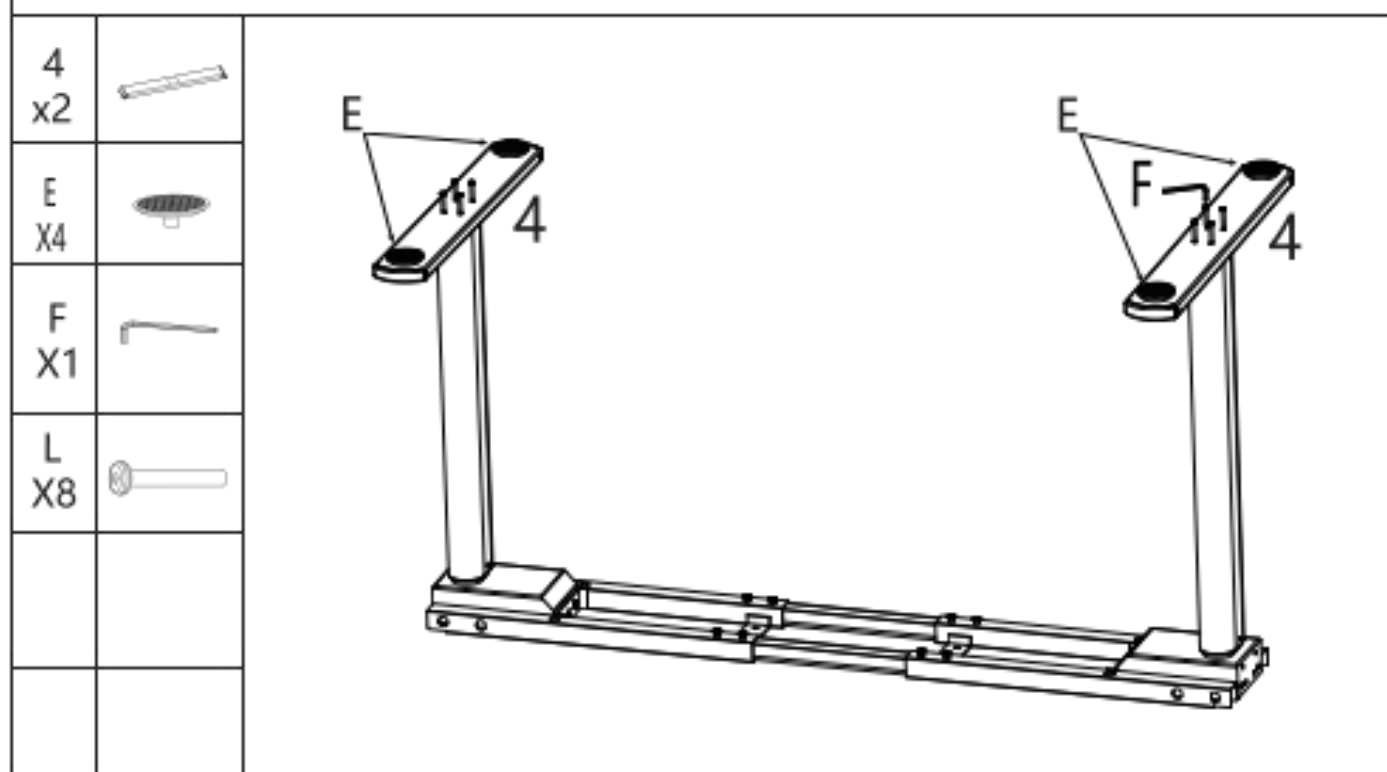
## Step 2: Install beam 2

- Assemble the beam (2) and leg (1) using 4MM plate handle (F) with M6X10 screws (J)



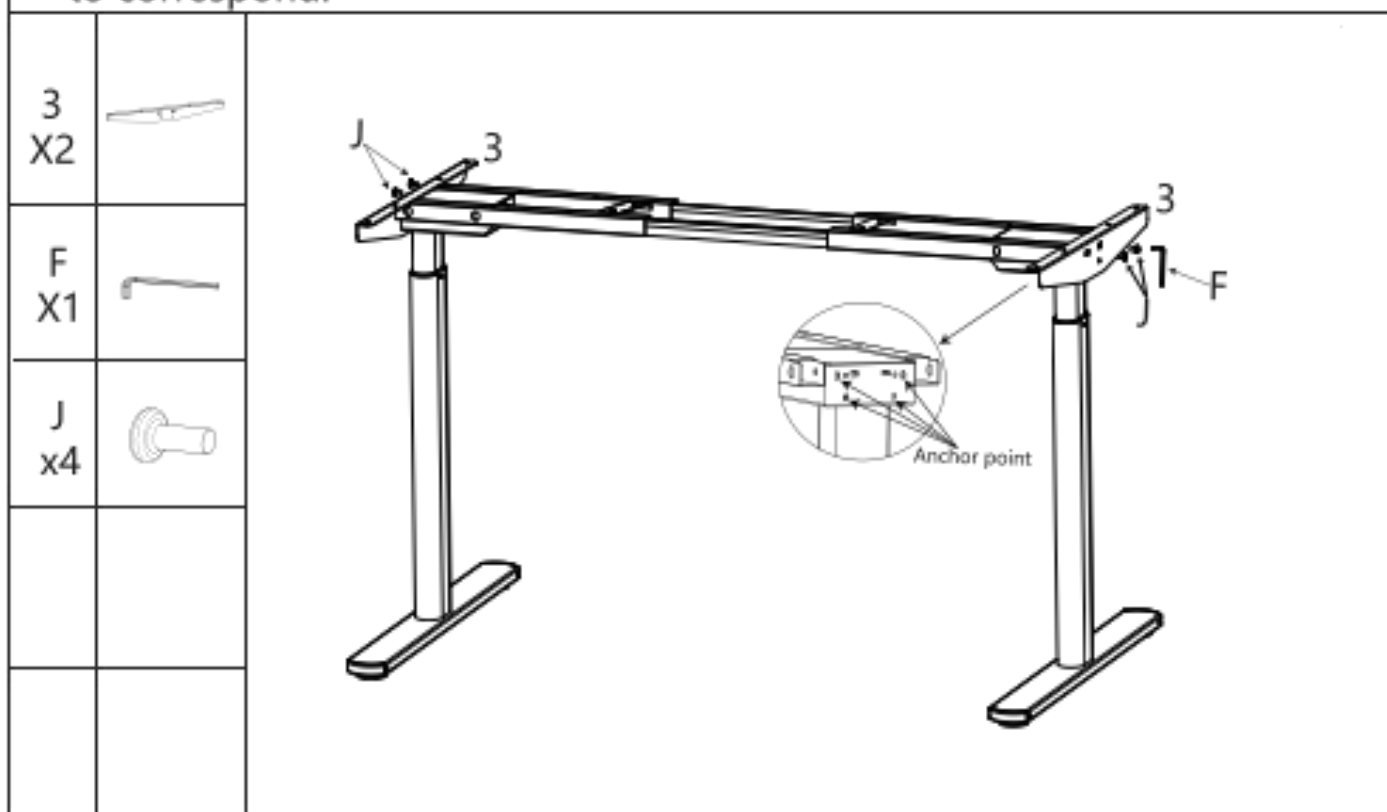
### Step 3: Table foot, foot pad, controller installation

- Place the legs up, align the mounting holes and fix the assembly with a 4MM wrench (F) and M6\*35 screws (L). Do the same on the other side.
- The foot pad (E) shall be installed in the position specified by the foundation and tightened.



### Step 4: Bracket installation

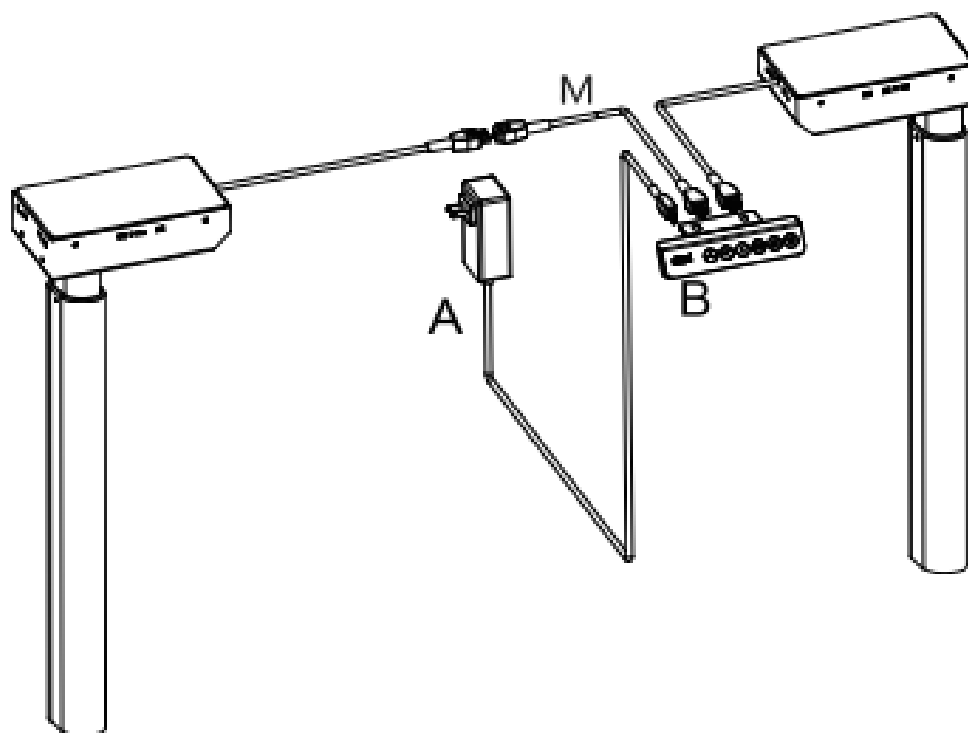
- Assemble the bracket (3) using a 4MM wrench (F) and M6X10 screws (J). Do the same on the other side.
- Note that the support arm and the anchor point of the table frame need to correspond.





## Step 7: Wire controlled installation

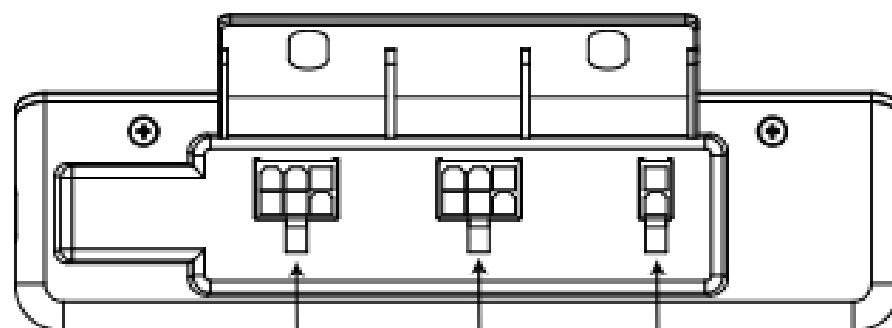
- Extension cable (M), connect to either end of the motor wire
- Power supply (A), connected to the controller power interface
- Motor input terminals, connected to the output interfaces of controller motor 1 and motor 2



A  
X1



M  
X1

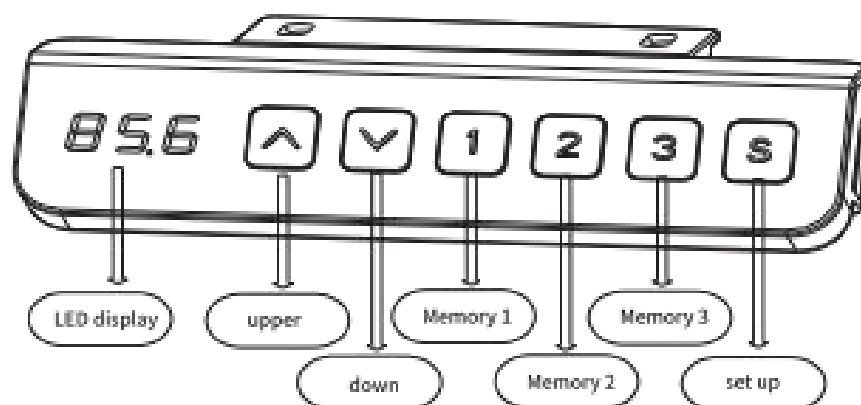


Motor 1

Motor 2

Power interface

# Manual controller operation instructions



Operation procedure	Operating instruction
Height adjustment	Rise: Hold down "↑". Fall: hold down "↓".
Memory storage	Click the S key, and the height value will start flashing. At this time, press the number 1 key to save the current height to the corresponding position. The settings for numbers 2 and 3 are the same as those for number 1
Reset Settings	Simultaneously press and hold "↑" and "↓", the LED screen will start flashing, and the table will slowly descend, automatically lowering to the lowest level to display the LED screen's digits. The reset is successful.
Safe child lock	<p><b>Lock setting:</b> Press and hold the S key for 3 seconds. When the LED screen displays "SET", press the number key 3 once to enter the lock screen state. At this time, the LED screen will flash and display "OFF"</p> <p><b>Unlocking setting:</b> In the lock screen state, press the S key for 3 seconds, and the LED screen will display the height value. At this time, release the S key to complete the unlocking process</p>
advanced setting	<p><b>Menu settings:</b> Press and hold the S button for 6 seconds, and when the LED screen displays "HLP", release the S button. At this time, the LED screen flashes alternately to display "HLP" and the current height value:</p> <ol style="list-style-type: none"> <li>1. Press the number key 1, the LED screen will flash to display "H-P", and press the S key to save the current value.</li> <li>2. Press the number key 2, the LED screen will flash and display "L-P". Press the S key to save the current value.</li> </ol> <p><b>Exit Settings:</b> 1. When the LED screen flashes alternately to display "HLP" and the current height value, if the S key is not pressed to confirm within 15 seconds, the setting mode will be exited. 2. When the LED screen flashes alternately to display "HLP" and the current height value, the current height value can be adjusted by using the up or down keys. When the LED screen flashes alternately to display "HLP" and the current height value, press the number key 3 to directly delete the set maximum and minimum heights:</p>

<p>Rebound when encountering obstacles</p>	<p>settings: Long press and hold the s button for 3 seconds. when the LED Screen displays "SET", release the S button and press the number key 2 to enter sensitivity settings. At this time, the LED screen flashes alternately to display "cpt" and the current sensitivity value. Adjust the sensitivity value by using the up or down button, and press the s button to save the current setting</p> <p>1. sensitivity 0/1/2/3/4, the higher the number, the higher the sensitivity</p> <p>2. when the LED Screen flashes alternately to display "cpt" and the current sensitivity value, the s key is not used to save confirmation, and the system automatically saves the current unit setting for 15 seconds</p>
<p>unit conversion</p>	<p>Long press and hold the s key for 3 seconds. when the LED Screen displays "SET", release the S Key and press the number key 1 to enter the unit conversion setting. At this time, the LED Screen flashes alternately to display "unt" and the current height value. Adjust the unit by pressing the up or down button, and press the s key to save the current setting.</p>
<p>Restore factory settings</p>	<p>press and hold the s key for 9 seconds. when the LED Screen displays "FAC", release the s key and operate it again to restore the factory settings.</p> <p>After restoring the factory settings, clear the memory position, height range, sensitivity, and units that have been set</p>

Troubleshooting guide:

If your lifting table is not working properly, try to reset the setting.

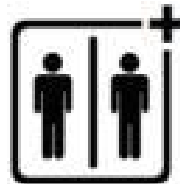
If any error codes occur, reset the settings.

If it does not work after the reset, please contact us for more help.

Care and maintenance:

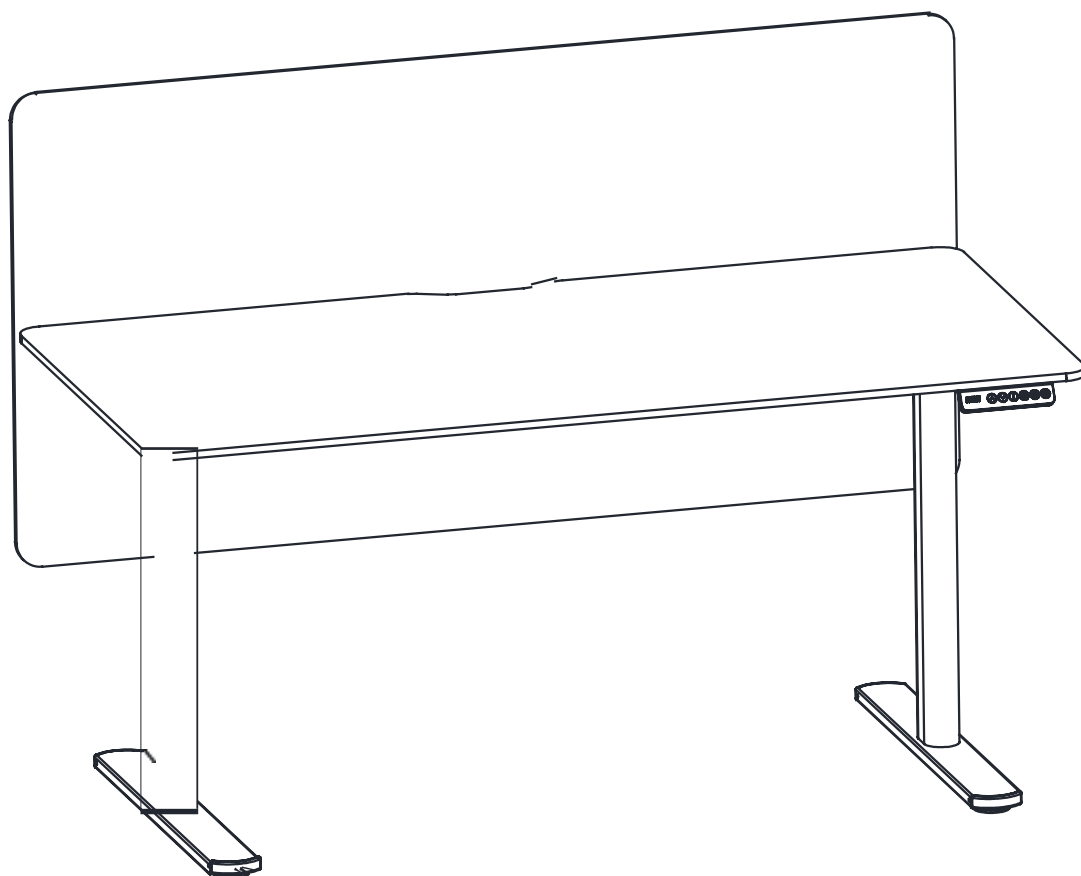
1. Use a clean soft cloth to remove dust from the surface during routine maintenance. Do not wipe the table surface with damp cloth or hard material.
2. Avoid contact with acidic chemicals.
3. For slight scratches, wipe gently with a soft cloth to smooth the scratches. Do not stick adhesive items directly on the outer surface of the metal foot to prevent the surface from falling off.

CE



# Dvoumotorový zvedací stůl

## Návod k obsluze



Před prvním použitím prosím.

Pečlivě si přečtete tento návod! Nezapomeňte dodržovat bezpečnostní pokyny!

Jejich nedodržení může mít za následek nebezpečná zranění!

Tento návod pečlivě uschovejte!



**Pečlivě si přečtěte důležité informace**

**Uchovejte si tyto informace pro další použití**

## Teplá připomínka

Abyste předešli poškození a zranění způsobenému nesprávným používáním, přečtěte si před použitím pečlivě tento návod. Je důležité porozumět pokynům uvedeným v tomto návodu k použití a dodržovat je. Nesprávné používání tohoto výrobku může mít za následek funkční poškození nebo zranění osob.

## Bezpečnostní tipy

Pečlivě si přečtěte následující pokyny a používejte výrobek podle nich. Dbejte na tento návod k použití. Tento návod k použití nemusí obsahovat všechny podrobnosti a každý detail instalačních kroků.

## Bezpečnostní opatření při montáži

Dbejte prosím na dodržování montážních pokynů a používejte výrobek podle potřeby. Doporučujeme pravidelně kontrolovat šrouby a polohy připojení výrobku, aby bylo zajištěno bezpečné používání. povrch čistěte měkkým hadříkem, aby nedošlo k poškrábání a poškození.

















## Varování

Součásti a obalové materiály by měly být během montáže uchovávány mimo dosah dětí a domácích zvířat, protože hrozí nebezpečí poranění a zasažení.

Vyhnete se ostrým předmětům nebo žíravým chemikáliím, aby nedošlo k poškození výrobku. Výrobek otevírejte pomalu a opatrně a vyhnete se kovovým spojům, které se zařezávají do rukou, zejména dětí. Nepokládejte jej silou na jednu stranu a netrpte dlouho na slunečním světle.

Poznámka: při prvním spuštění zařízení resetujte. nahlédněte do uživatelské příručky

## List of parts

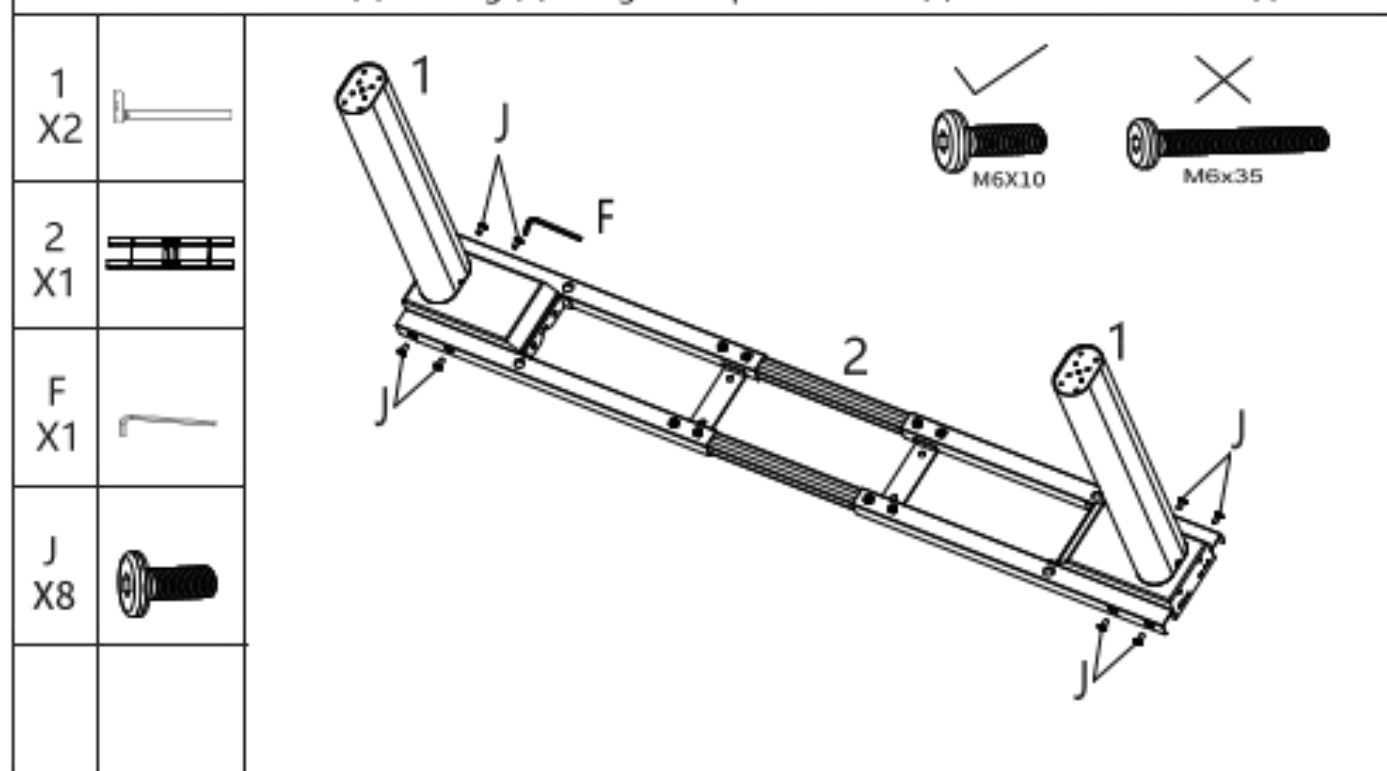
Sequence	Name	Figure	Quantity
1	Table leg		2
2	beam		1
3	Bracket arm		2
4	Foot of table		2
A	power supply		1
B	Manual controller		1
D	Thread buckle		8
E	Foot pad		4
F	4MM wrench		1
J	Screw M6X10		36
H	Screw M6X8		6
M	Motor extension cable		1
L	Screw M6X35		10
N	Electric wrench		1
O	Hanging code		2
P	cover		2

Kind reminder:

There is a backup quantity of screws, please keep them properly for future use.

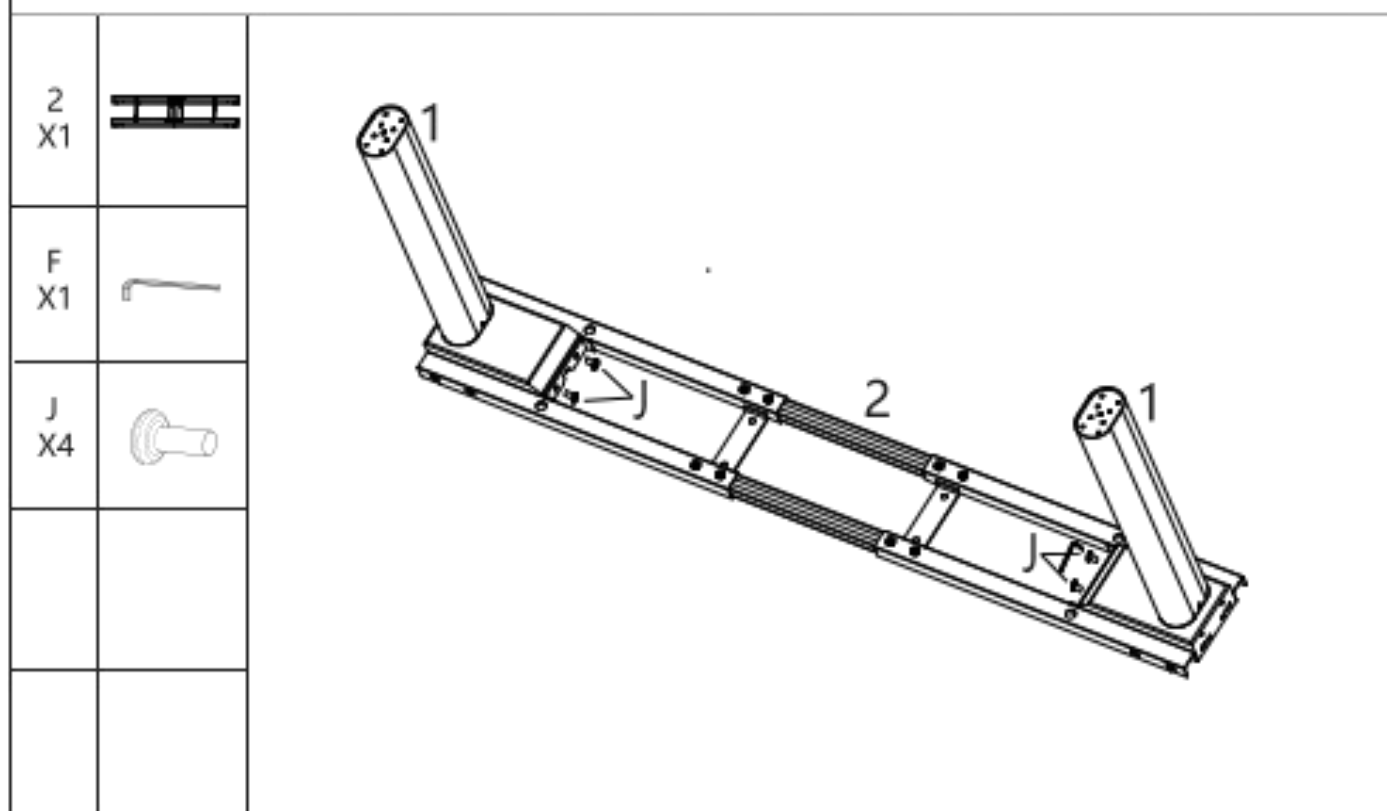
## Step 1: Beam 1 Install the beam

- Place the table leg (1) horizontally on the ground, and note that the motor box faces inward as shown below.
- The middle wire of the beam (2) is loosened outward to facilitate the pulling and assembling.
- Assemble the beam (2) and leg (1) using 4MM plate handle (F) with M6X10 screws (J)



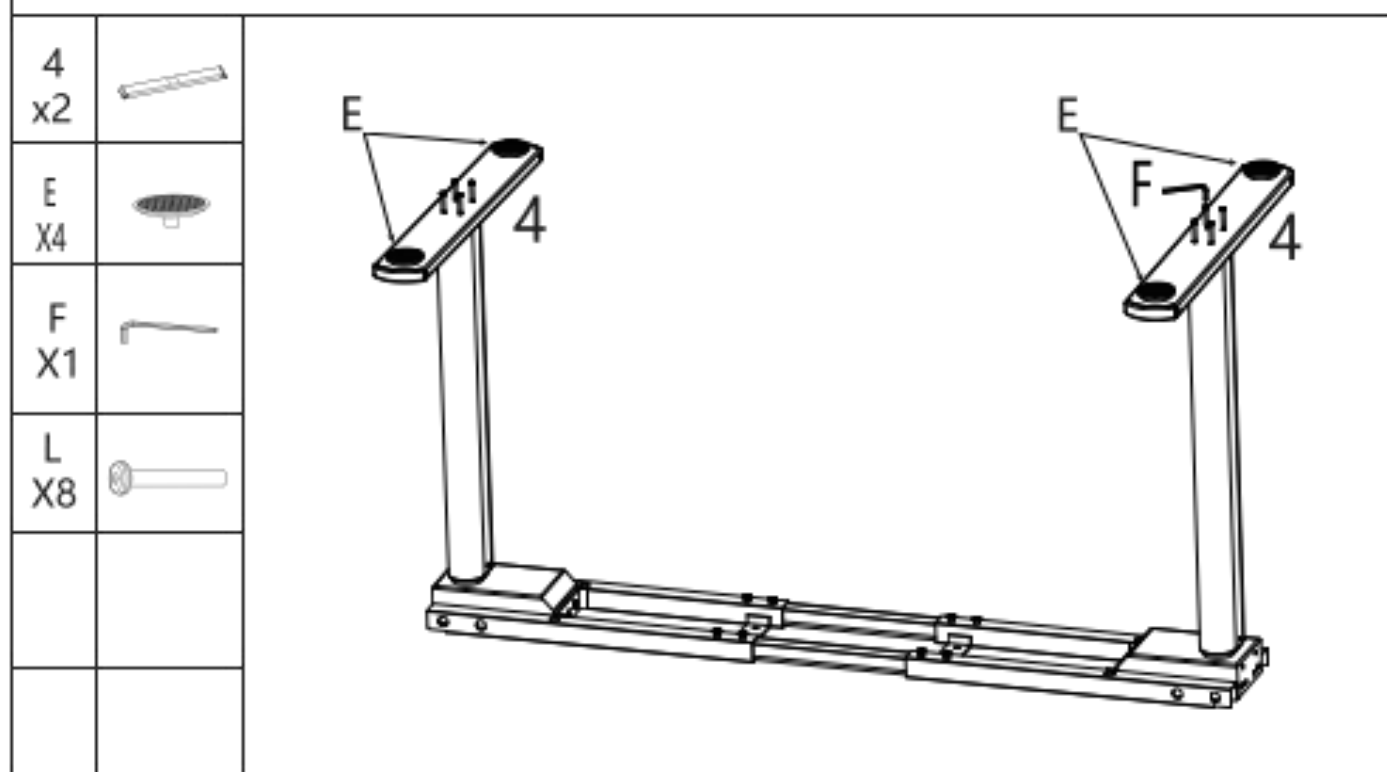
## Step 2: Install beam 2

- Assemble the beam (2) and leg (1) using 4MM plate handle (F) with M6X10 screws (J)



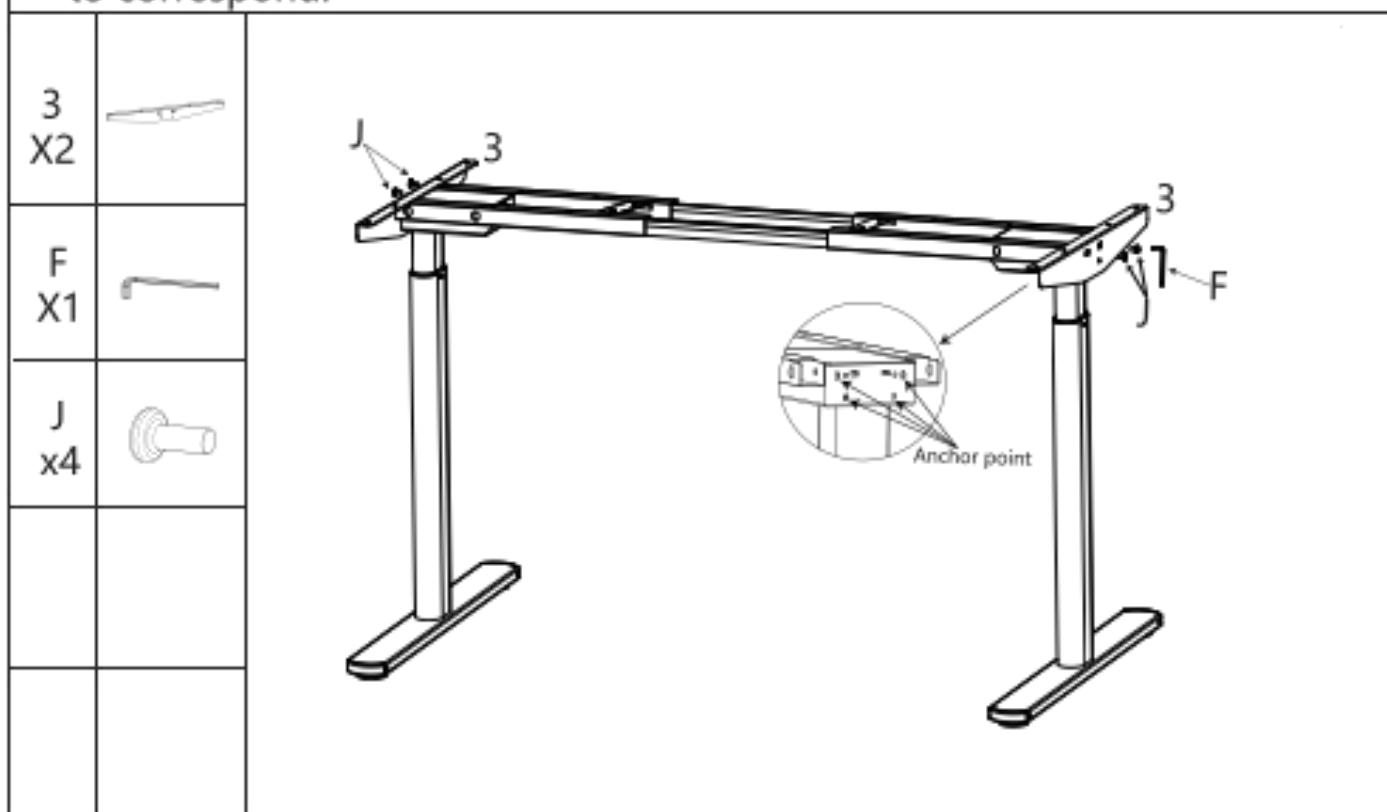
### Step 3: Table foot, foot pad, controller installation

- Place the legs up, align the mounting holes and fix the assembly with a 4MM wrench (F) and M6\*35 screws (L). Do the same on the other side.
- The foot pad (E) shall be installed in the position specified by the foundation and tightened.



### Step 4: Bracket installation

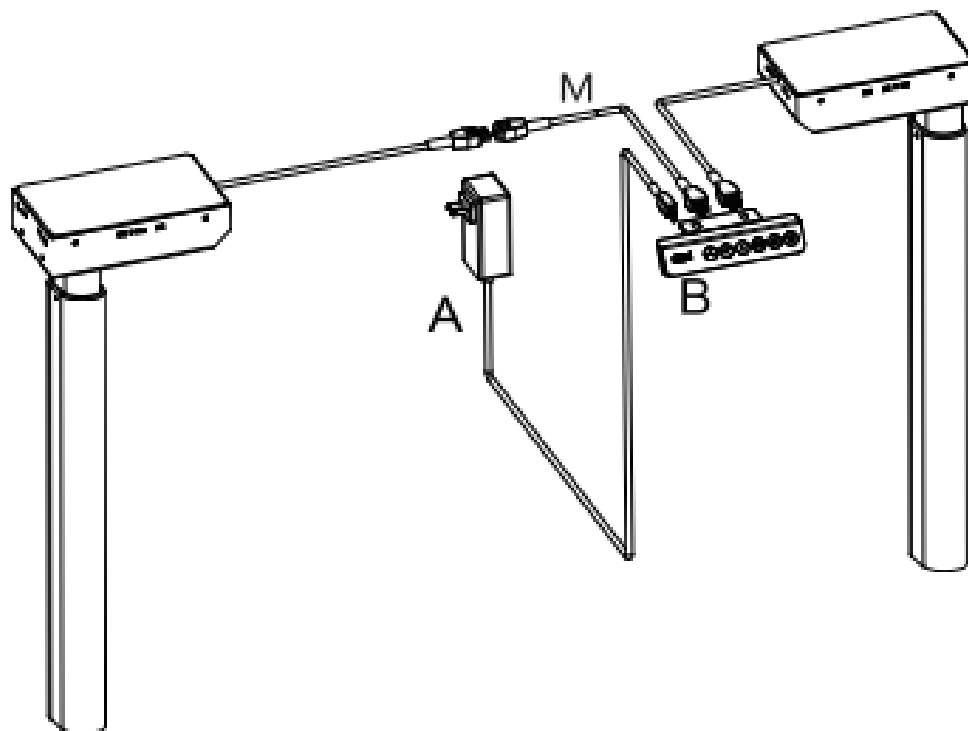
- Assemble the bracket (3) using a 4MM wrench (F) and M6X10 screws (J). Do the same on the other side.
- Note that the support arm and the anchor point of the table frame need to correspond.





## Step 7: Wire controlled installation

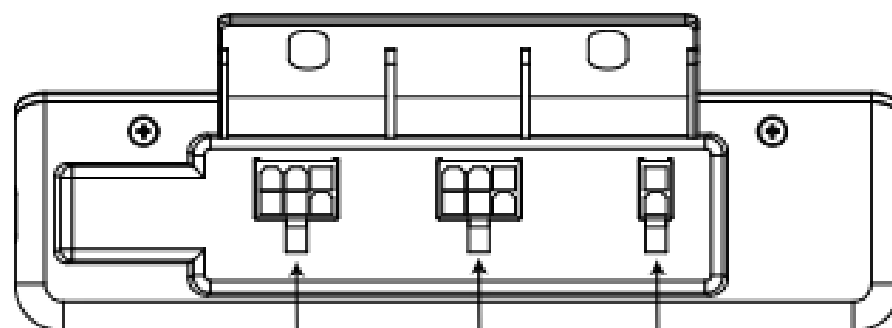
- Extension cable (M), connect to either end of the motor wire
- Power supply (A), connected to the controller power interface
- Motor input terminals, connected to the output interfaces of controller motor 1 and motor 2



A  
X1



M  
X1

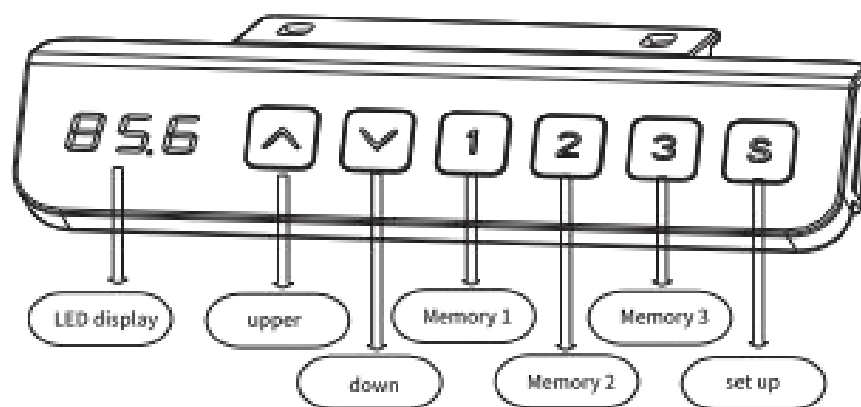


Motor 1

Motor 2

Power interface

# Manual controller operation instructions



Operation procedure	Operating instruction
Height adjustment	Rise: Hold down "↑". Fall: hold down "↓".
Memory storage	Click the S key, and the height value will start flashing. At this time, press the number 1 key to save the current height to the corresponding position. The settings for numbers 2 and 3 are the same as those for number 1
Reset Settings	Simultaneously press and hold "↑" and "↓", the LED screen will start flashing, and the table will slowly descend, automatically lowering to the lowest level to display the LED screen's digits. The reset is successful.
Safe child lock	<p><b>Lock setting:</b> Press and hold the S key for 3 seconds. When the LED screen displays "SET", press the number key 3 once to enter the lock screen state. At this time, the LED screen will flash and display "OFF"</p> <p><b>Unlocking setting:</b> In the lock screen state, press the S key for 3 seconds, and the LED screen will display the height value. At this time, release the S key to complete the unlocking process</p>
advanced setting	<p><b>Menu settings:</b> Press and hold the S button for 6 seconds, and when the LED screen displays "HLP", release the S button. At this time, the LED screen flashes alternately to display "HLP" and the current height value:</p> <ol style="list-style-type: none"> <li>1. Press the number key 1, the LED screen will flash to display "H-P", and press the S key to save the current value.</li> <li>2. Press the number key 2, the LED screen will flash and display "L-P". Press the S key to save the current value.</li> </ol> <p><b>Exit Settings:</b> 1. When the LED screen flashes alternately to display "HLP" and the current height value, if the S key is not pressed to confirm within 15 seconds, the setting mode will be exited. 2. When the LED screen flashes alternately to display "HLP" and the current height value, the current height value can be adjusted by using the up or down keys. When the LED screen flashes alternately to display "HLP" and the current height value, press the number key 3 to directly delete the set maximum and minimum heights:</p>

<p>Rebound when encountering obstacles</p>	<p>settings: Long press and hold the s button for 3 seconds. when the LED Screen displays "SET", release the S button and press the number key 2 to enter sensitivity settings. At this time, the LED screen flashes alternately to display "cpt" and the current sensitivity value. Adjust the sensitivity value by using the up or down button, and press the s button to save the current setting</p> <p>1. sensitivity 0/1/2/3/4, the higher the number, the higher the sensitivity</p> <p>2. when the LED Screen flashes alternately to display "cpt" and the current sensitivity value, the s key is not used to save confirmation, and the system automatically saves the current unit setting for 15 seconds</p>
<p>unit conversion</p>	<p>Long press and hold the s key for 3 seconds. when the LED Screen displays "SET", release the S Key and press the number key 1 to enter the unit conversion setting. At this time, the LED Screen flashes alternately to display "unt" and the current height value. Adjust the unit by pressing the up or down button, and press the s key to save the current setting.</p>
<p>Restore factory settings</p>	<p>press and hold the s key for 9 seconds. when the LED Screen displays "FAC", release the s key and operate it again to restore the factory settings.</p> <p>After restoring the factory settings, clear the memory position, height range, sensitivity, and units that have been set</p>

Troubleshooting guide:

If your lifting table is not working properly, try to reset the setting.

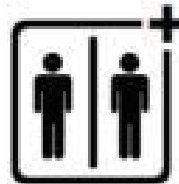
If any error codes occur, reset the settings.

If it does not work after the reset, please contact us for more help.

care and maintenance:

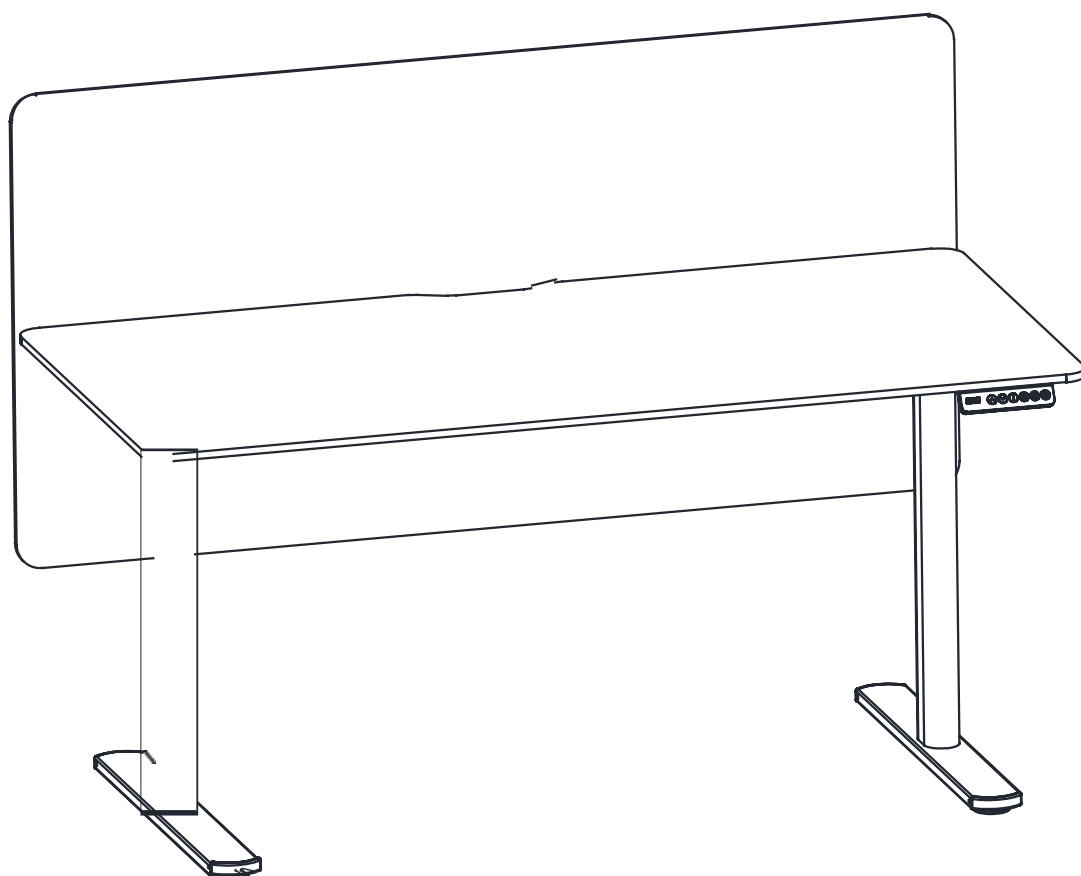
1. use a clean soft cloth to remove dust from the surface during routine maintenance. Do not wipe the table surface with damp cloth or hard material.
2. Avoid contact with acidic chemicals.
3. For slight scratches, wipe gently with a soft cloth to smooth the scratches. Do not stick adhesive items directly on the outer surface of the metal foot to prevent the surface from falling off.

CE



# Dvojmotorový zdvíhací stôl

## Návod na obsluhu



Pred prvým použitím.

Pozorne si prečítajte tento návod! Nezabudnite dodržiavať bezpečnostné pokyny!

Ich nedodržanie môže mať za následok nebezpečné poranenia!

Tento návod starostlivo uschovajte!



**Pozorne si prečítajte dôležité informácie**

**Uschovajte si tieto informácie pre ďalšie použitie**

## Teplá pripomienka

Aby ste predišli poškodeniu a zraneniu spôsobenému nesprávnym používaním, pred použitím si pozorne prečítajte tento návod. Je dôležité pochopiť a dodržiavať pokyny uvedené v tomto návode na použitie. Nesprávne používanie tohto výrobku môže mať za následok funkčné poškodenie alebo zranenie osôb.

## Bezpečnostné tipy

Pozorne si prečítajte nasledujúce pokyny a používajte výrobok podľa nich. Dbajte na tento návod na použitie. Tento návod na použitie nemusí obsahovať všetky podrobnosti a každý detail inštalačných krokov.

## Bezpečnostné opatrenia pri montáži

















Dôsledne dodržiavajte návod na montáž a používajte výrobok podľa potreby. Odporúča sa pravidelne kontrolovať skrutky a polohy pripojenia výrobku, aby sa zabezpečilo jeho bezpečné používanie. povrch čistite mäkkou handričkou, aby ste zabránili poškrabaniu a poškodeniu.

## Upozornenie

Časti a obalové materiály by sa mali počas montáže držať mimo dosahu detí a domácich zvierat, pretože hrozí nebezpečenstvo poranenia a vystavenia účinkom.

Vyhňte sa ostrým predmetom alebo korozívnym chemikáliám, aby ste zabránili poškodeniu výrobku. Výrobok otvárajte pomaly a opatrne, vyhýbajte sa kovovým spojom, ktoré sa zarezú do rúk, najmä detí. Neotvárajte silou na jednu stranu a netrpte dlho na slnečnom svetle.

## List of parts

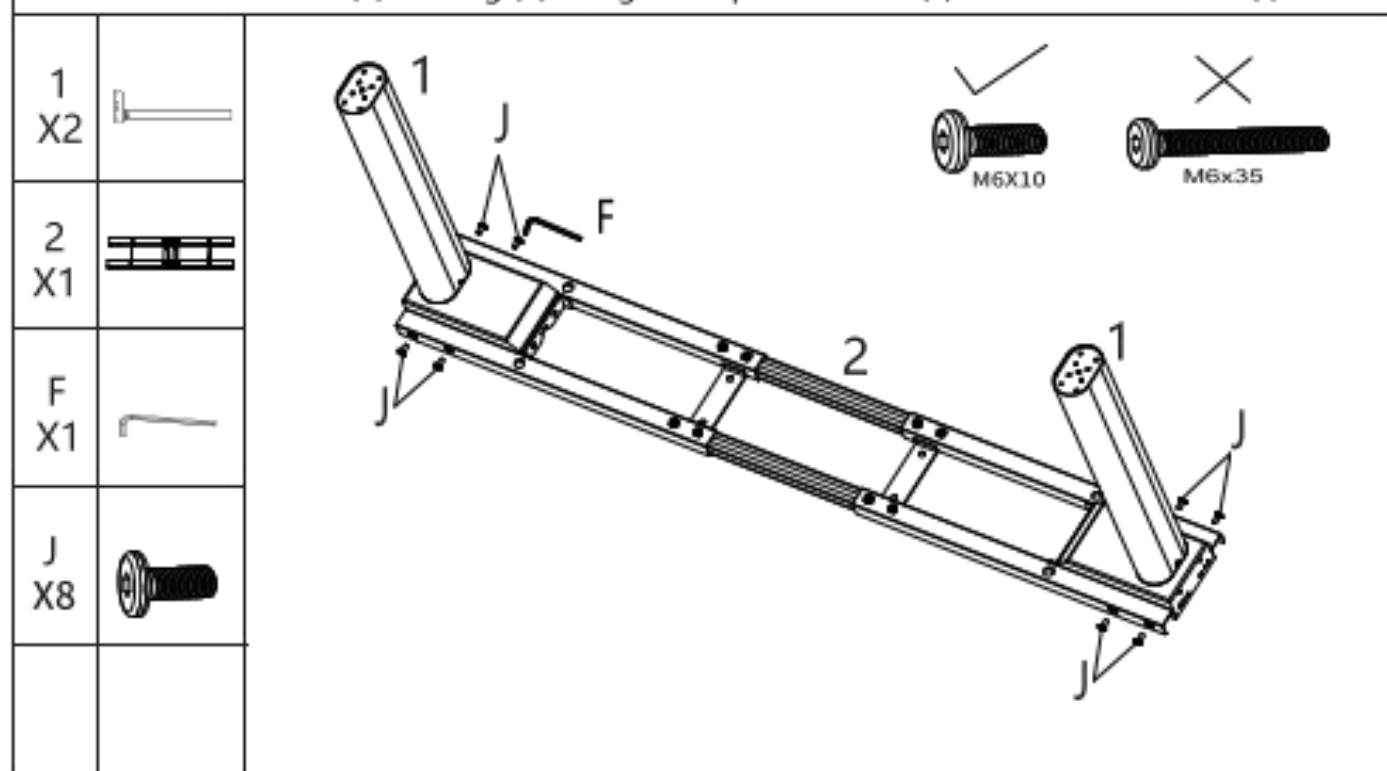
Sequence	Name	Figure	Quantity
1	Table leg		2
2	beam		1
3	Bracket arm		2
4	Foot of table		2
A	power supply		1
B	Manual controller		1
D	Thread buckle		8
E	Foot pad		4
F	4MM wrench		1
J	Screw M6X10		36
H	Screw M6X8		6
M	Motor extension cable		1
L	Screw M6X35		10
N	Electric wrench		1
O	Hanging code		2
P	cover		2

Kind reminder:

There is a backup quantity of screws, please keep them properly for future use.

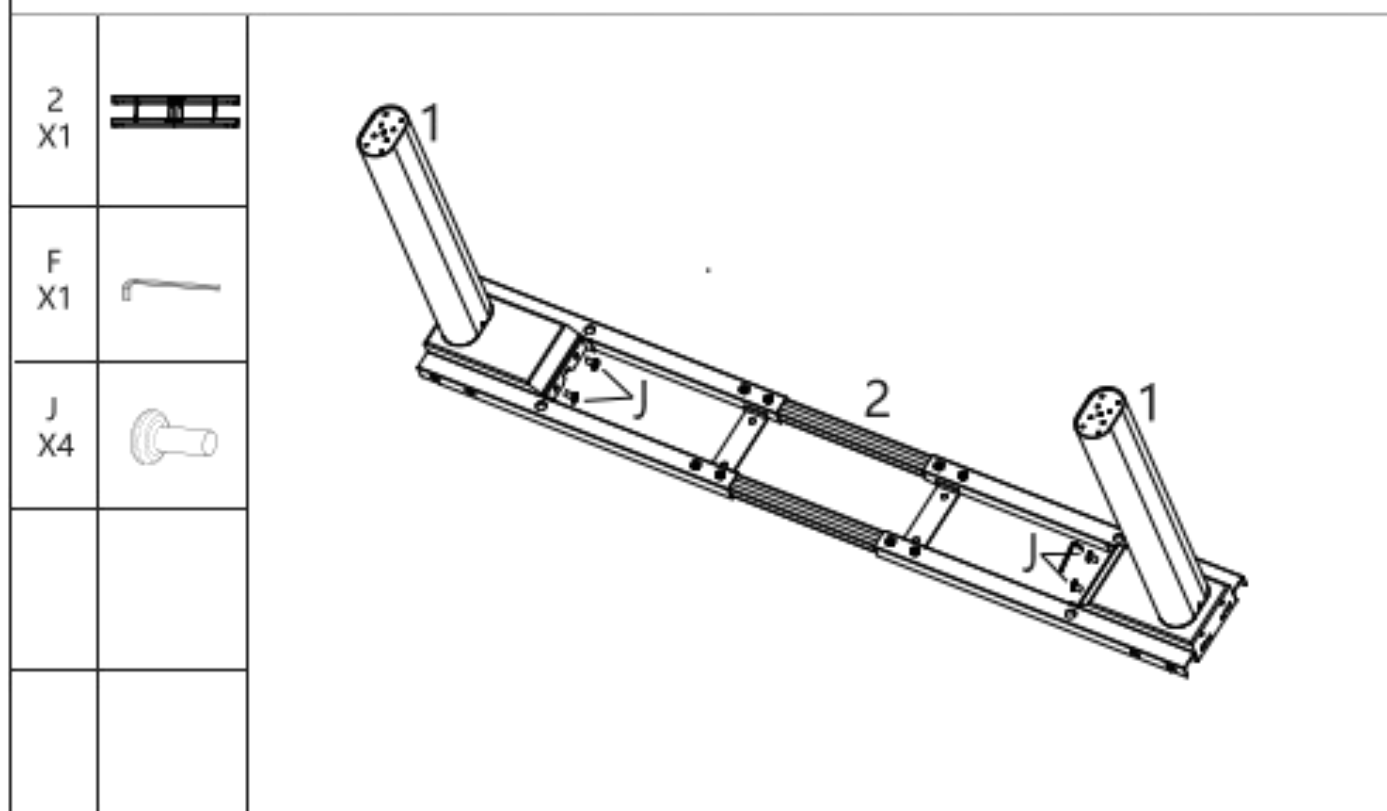
## Step 1: Beam 1 Install the beam

- Place the table leg (1) horizontally on the ground, and note that the motor box faces inward as shown below.
- The middle wire of the beam (2) is loosened outward to facilitate the pulling and assembling.
- Assemble the beam (2) and leg (1) using 4MM plate handle (F) with M6X10 screws (J)



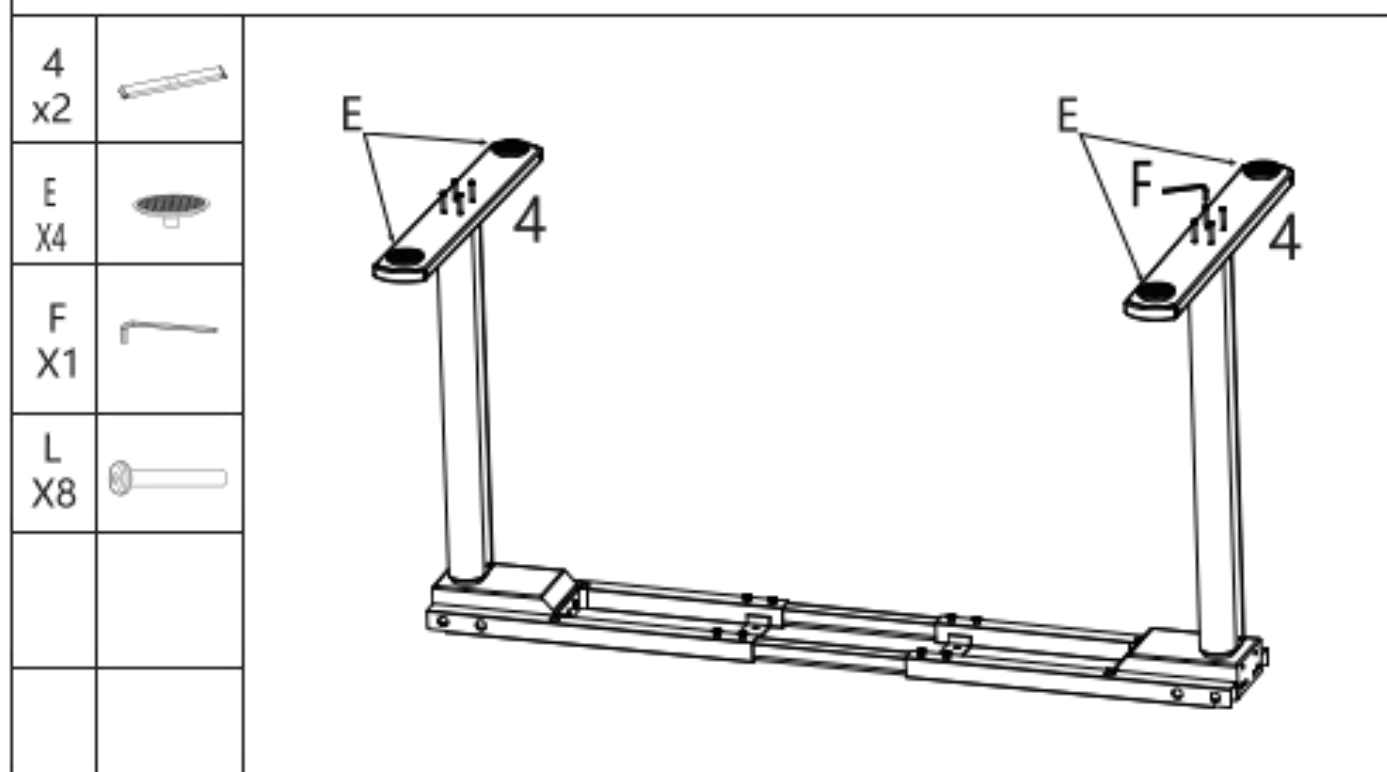
## Step 2: Install beam 2

- Assemble the beam (2) and leg (1) using 4MM plate handle (F) with M6X10 screws (J)



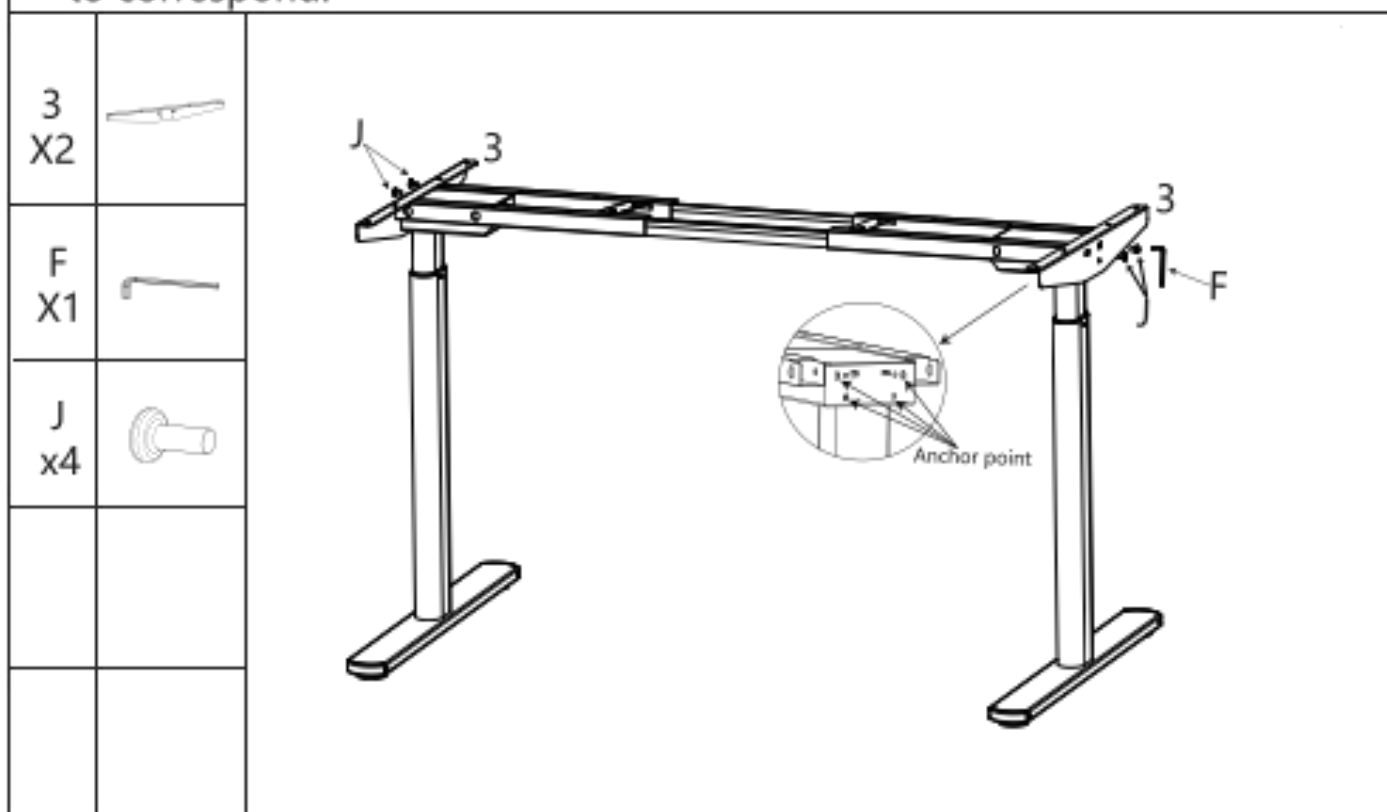
### Step 3: Table foot, foot pad, controller installation

- Place the legs up, align the mounting holes and fix the assembly with a 4MM wrench (F) and M6\*35 screws (L). Do the same on the other side.
- The foot pad (E) shall be installed in the position specified by the foundation and tightened.



### Step 4: Bracket installation

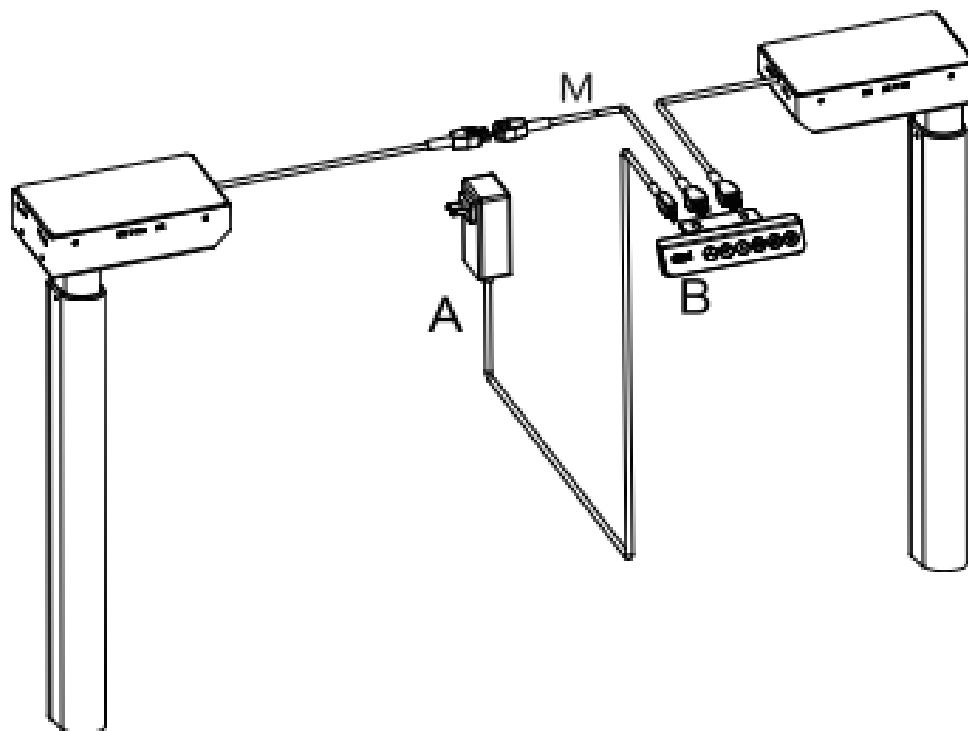
- Assemble the bracket (3) using a 4MM wrench (F) and M6X10 screws (J). Do the same on the other side.
- Note that the support arm and the anchor point of the table frame need to correspond.





## Step 7: Wire controlled installation

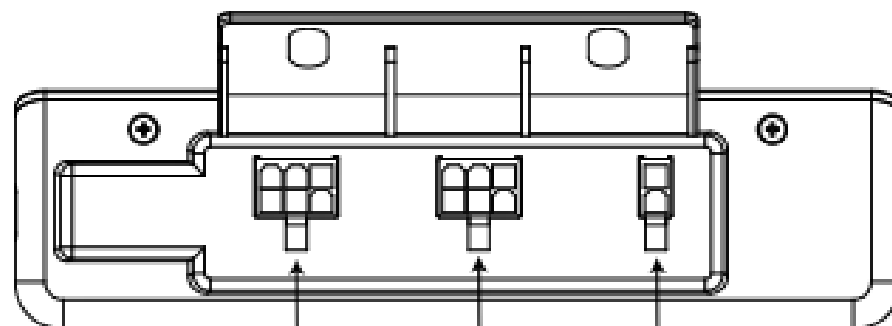
- Extension cable (M), connect to either end of the motor wire
- Power supply (A), connected to the controller power interface
- Motor input terminals, connected to the output interfaces of controller motor 1 and motor 2



A  
X1



M  
X1

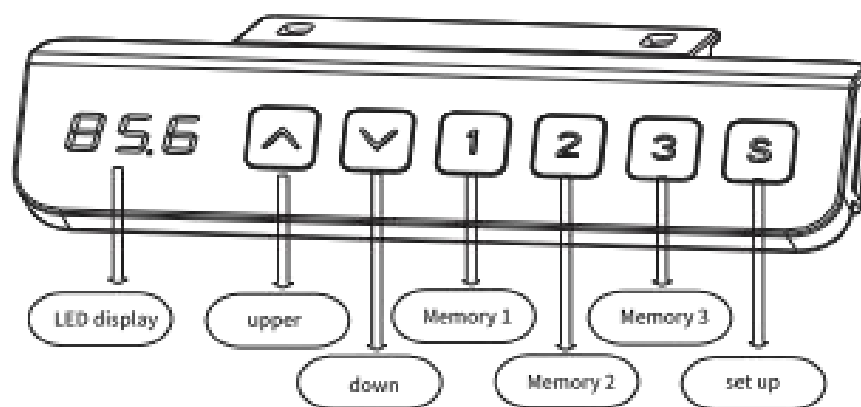


Motor 1

Motor 2

Power interface

# Manual controller operation instructions



Operation procedure	Operating instruction
Height adjustment	Rise: Hold down "↑". Fall: hold down "↓".
Memory storage	Click the S key, and the height value will start flashing. At this time, press the number 1 key to save the current height to the corresponding position. The settings for numbers 2 and 3 are the same as those for number 1
Reset Settings	Simultaneously press and hold "↑" and "↓", the LED screen will start flashing, and the table will slowly descend, automatically lowering to the lowest level to display the LED screen's digits. The reset is successful.
Safe child lock	<p><b>Lock setting:</b> Press and hold the S key for 3 seconds. When the LED screen displays "SET", press the number key 3 once to enter the lock screen state. At this time, the LED screen will flash and display "OFF"</p> <p><b>Unlocking setting:</b> In the lock screen state, press the S key for 3 seconds, and the LED screen will display the height value. At this time, release the S key to complete the unlocking process</p>
advanced setting	<p><b>Menu settings:</b> Press and hold the S button for 6 seconds, and when the LED screen displays "HLP", release the S button. At this time, the LED screen flashes alternately to display "HLP" and the current height value:</p> <ol style="list-style-type: none"> <li>1. Press the number key 1, the LED screen will flash to display "H-P", and press the S key to save the current value.</li> <li>2. Press the number key 2, the LED screen will flash and display "L-P". Press the S key to save the current value.</li> </ol> <p><b>Exit Settings:</b> 1. When the LED screen flashes alternately to display "HLP" and the current height value, if the S key is not pressed to confirm within 15 seconds, the setting mode will be exited. 2. When the LED screen flashes alternately to display "HLP" and the current height value, the current height value can be adjusted by using the up or down keys. When the LED screen flashes alternately to display "HLP" and the current height value, press the number key 3 to directly delete the set maximum and minimum heights:</p>

<p>Rebound when encountering obstacles</p>	<p>settings: Long press and hold the s button for 3 seconds. when the LED Screen displays "SET", release the S button and press the number key 2 to enter sensitivity settings. At this time, the LED screen flashes alternately to display "cpt" and the current sensitivity value. Adjust the sensitivity value by using the up or down button, and press the s button to save the current setting</p> <p>1. sensitivity 0/1/2/3/4, the higher the number, the higher the sensitivity</p> <p>2. when the LED Screen flashes alternately to display "cpt" and the current sensitivity value, the s key is not used to save confirmation, and the system automatically saves the current unit setting for 15 seconds</p>
<p>unit conversion</p>	<p>Long press and hold the s key for 3 seconds. when the LED Screen displays "SET", release the S Key and press the number key 1 to enter the unit conversion setting. At this time, the LED Screen flashes alternately to display "unt" and the current height value. Adjust the unit by pressing the up or down button, and press the s key to save the current setting.</p>
<p>Restore factory settings</p>	<p>press and hold the s key for 9 seconds. when the LED Screen displays "FAC", release the s key and operate it again to restore the factory settings.</p> <p>After restoring the factory settings, clear the memory position, height range, sensitivity, and units that have been set</p>

Troubleshooting guide:

If your lifting table is not working properly, try to reset the setting.

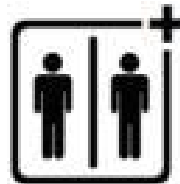
If any error codes occur, reset the settings.

If it does not work after the reset, please contact us for more help.

Care and maintenance:

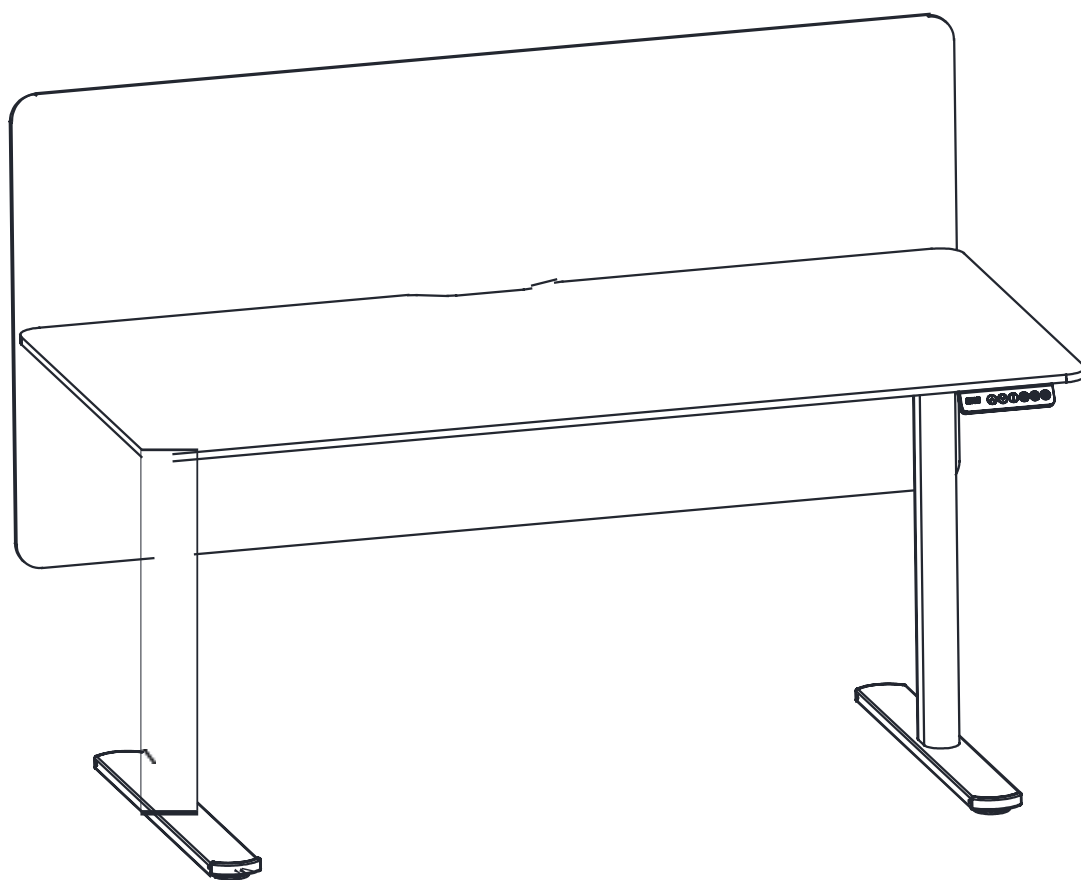
1. Use a clean soft cloth to remove dust from the surface during routine maintenance. Do not wipe the table surface with damp cloth or hard material.
2. Avoid contact with acidic chemicals.
3. For slight scratches, wipe gently with a soft cloth to smooth the scratches. Do not stick adhesive items directly on the outer surface of the metal foot to prevent the surface from falling off.

CE



# Dupla motoros emelőasztal

## Működési útmutató



Az első használat előtt kérjük.

Olvassa el figyelmesen ezt a kézikönyvet! Feltétlenül tartsa be a biztonsági utasításokat!

A be nem tartás veszélyes sérülést okozhat!

Őrizze meg ezt a kézikönyvet gondosan!



**Kérjük, figyelmesen olvassa el a fontos információkat**

**Őrizze meg ezt az információt további hivatkozás céljából**

## Meleg emlékeztető

A nem megfelelő használatból eredő károk és sérülések elkerülése érdekében, kérjük, használat előtt figyelmesen olvassa el ezt a kézikönyvet. Fontos, hogy megértse és kövesse a jelen használati útmutatóban foglalt utasításokat. A termék nem megfelelő használata működési károkat vagy személyi sérüléseket okozhat.

## Biztonsági tippek

Kérjük, figyelmesen olvassa el az alábbi utasításokat, és használja a terméket az utasításoknak megfelelően. Vigyázzon erre a használati utasításra. Ez a használati utasítás nem feltétlenül tartalmazza a telepítési lépések minden részletét és minden részletét.

## Szerelési óvintézkedések

Kérjük, szigorúan kövesse az összeszerelési utasításokat, és használja a terméket az igényeinek megfelelően. Javasoljuk, hogy a biztonságos használat érdekében rendszeresen ellenőrizze a termék csavarjait és csatlakozóhelyzetét. a karcok és sérülések elkerülése érdekében kérjük, hogy a felületet puha ruhával tisztítsa meg.

















## Figyelmeztetés

Az alkatrészeket és a csomagolóanyagokat az összeszerelés során távol kell tartani a gyermekektől és a háziállatoktól a lehetséges sérülés- és expozíciós veszélyek miatt.

A termék károsodásának megelőzése érdekében kerülje az éles tárgyakat és a maró hatású vegyi anyagokat. A terméket lassan és óvatosan nyissa ki, kerülje a kezekbe kapaszkodó fémillesztéseket, különösen a gyermekek esetében. Ne erőltesse az egyik oldalra és ne szenvedjen hosszú ideig a napfénytől.

Megjegyzés: kérjük, első alkalommal állítsa vissza a készüléket. kérjük, olvassa el a felhasználói kézikönyvet.

## List of parts

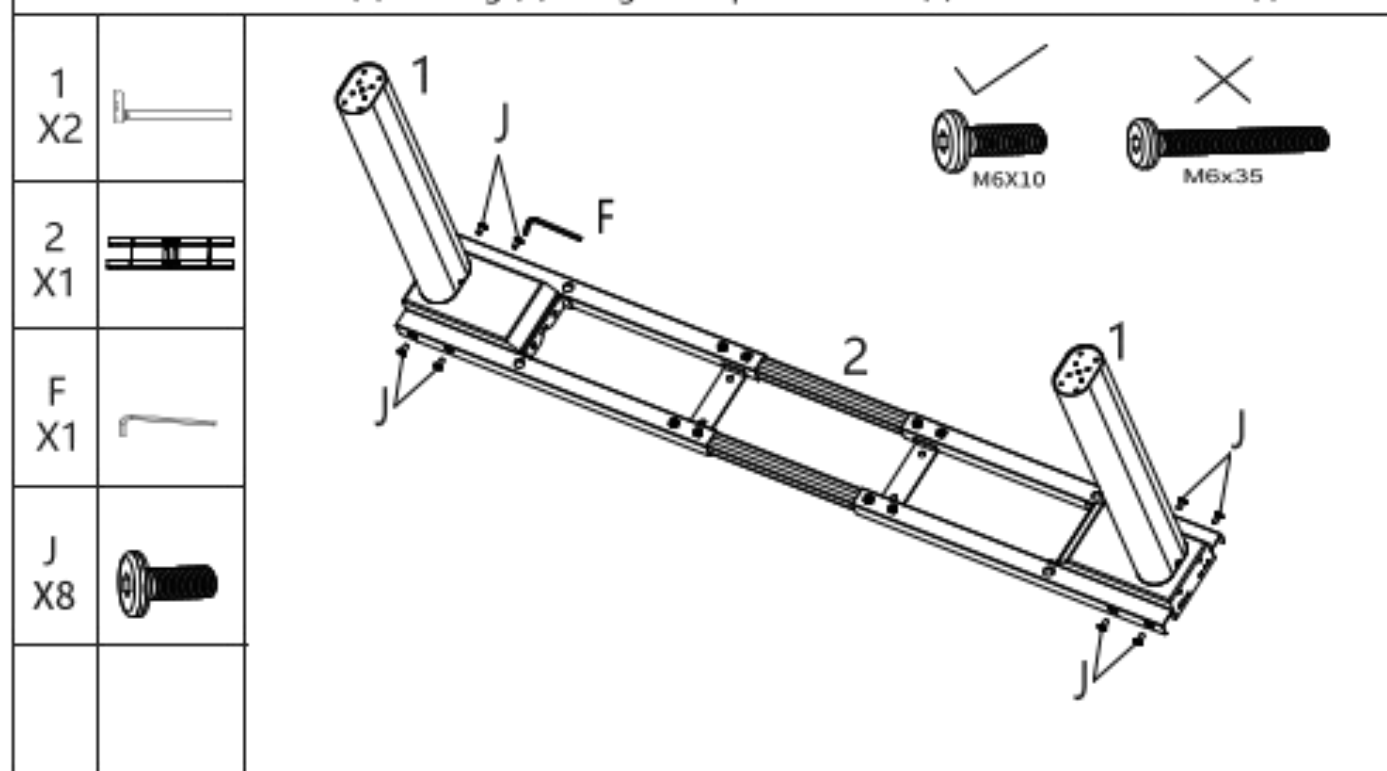
Sequence	Name	Figure	Quantity
1	Table leg		2
2	beam		1
3	Bracket arm		2
4	Foot of table		2
A	power supply		1
B	Manual controller		1
D	Thread buckle		8
E	Foot pad		4
F	4MM wrench		1
J	Screw M6X10		36
H	Screw M6X8		6
M	Motor extension cable		1
L	Screw M6X35		10
N	Electric wrench		1
O	Hanging code		2
P	cover		2

Kind reminder:

There is a backup quantity of screws, please keep them properly for future use.

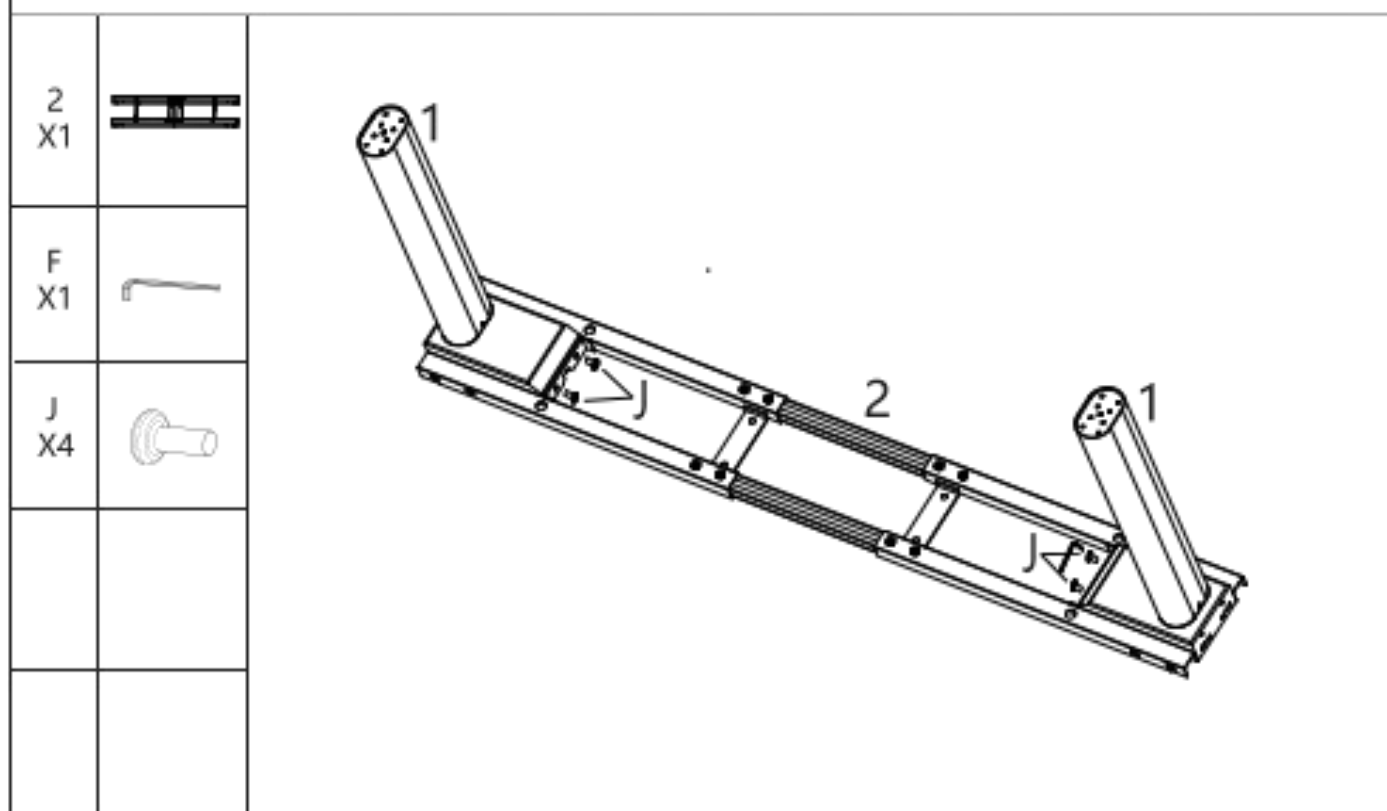
## Step 1: Beam 1 Install the beam

- Place the table leg (1) horizontally on the ground, and note that the motor box faces inward as shown below.
- The middle wire of the beam (2) is loosened outward to facilitate the pulling and assembling.
- Assemble the beam (2) and leg (1) using 4MM plate handle (F) with M6X10 screws (J)



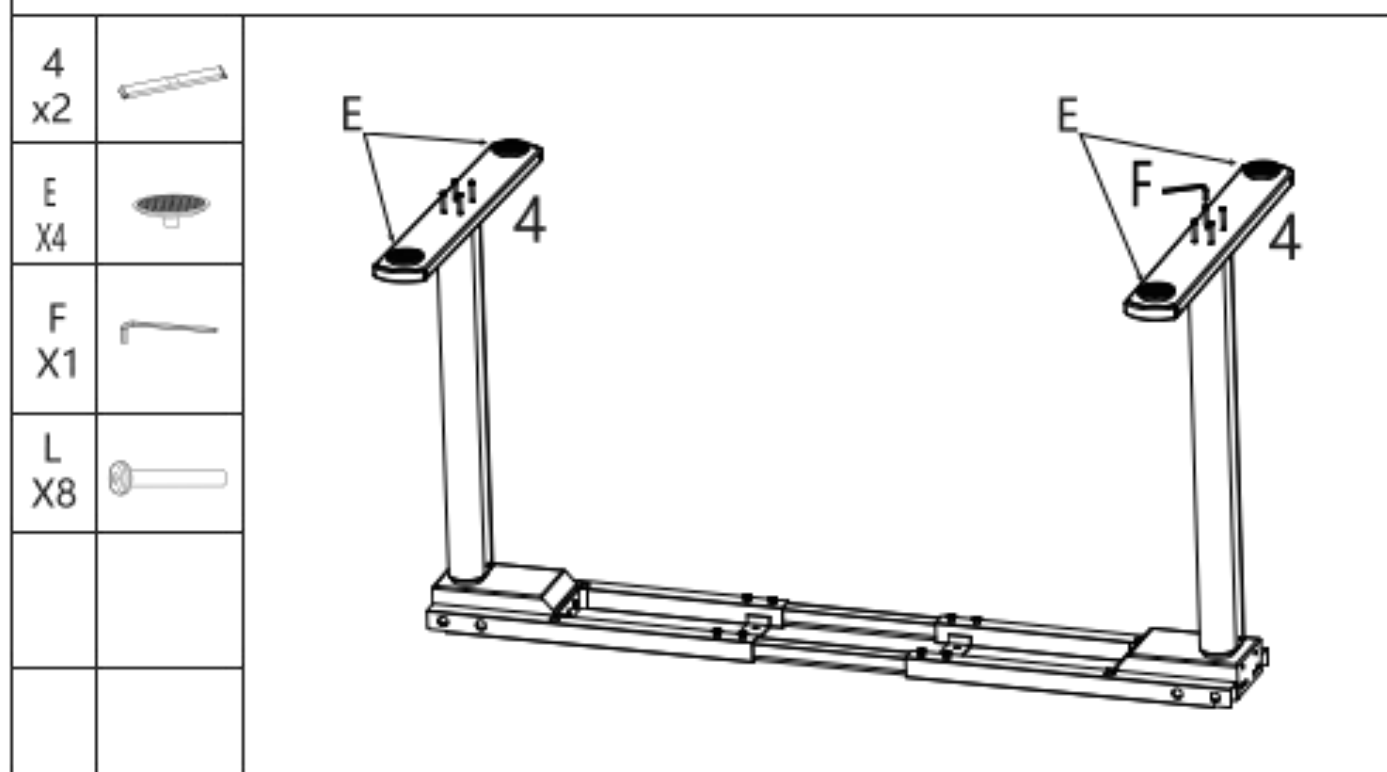
## Step 2: Install beam 2

- Assemble the beam (2) and leg (1) using 4MM plate handle (F) with M6X10 screws (J)



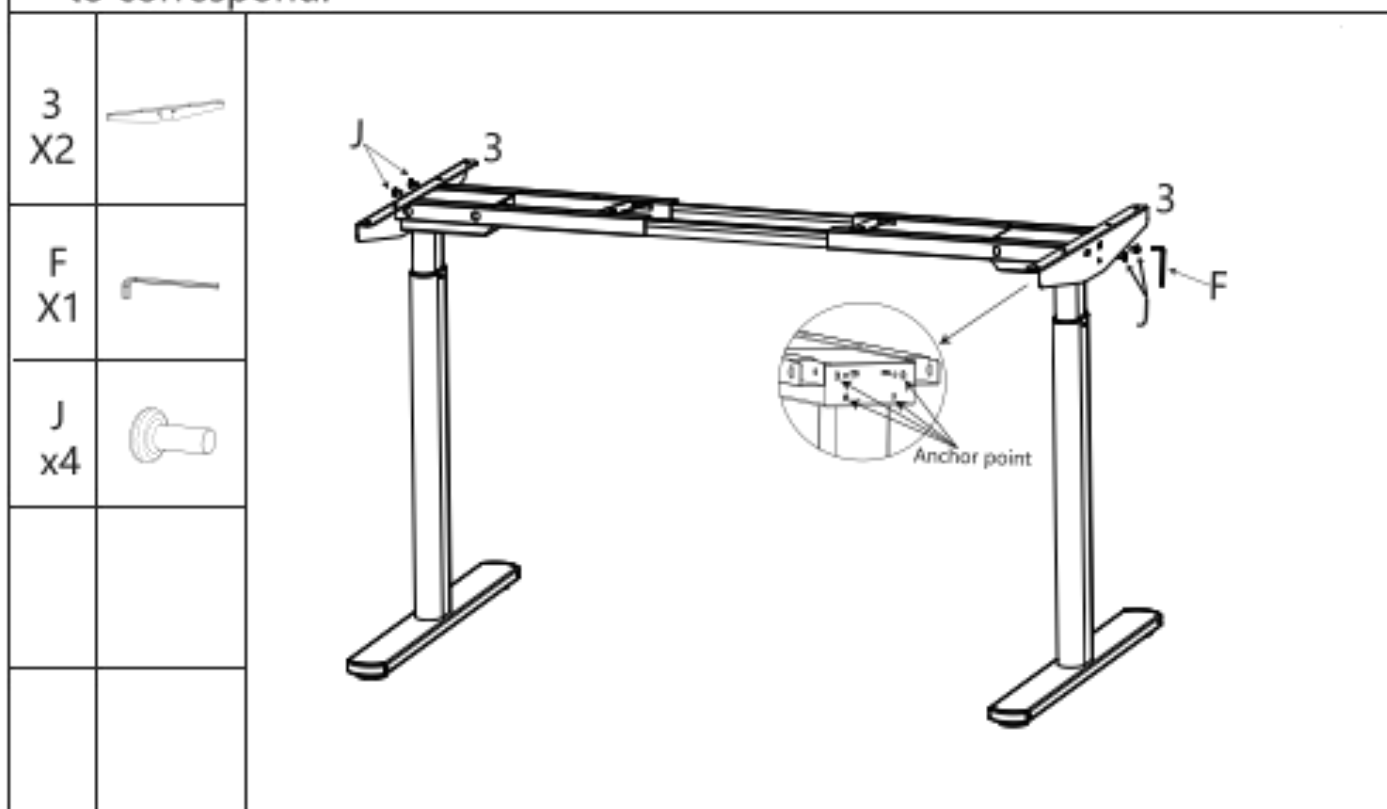
### Step 3: Table foot, foot pad, controller installation

- Place the legs up, align the mounting holes and fix the assembly with a 4MM wrench (F) and M6\*35 screws (L). Do the same on the other side.
- The foot pad (E) shall be installed in the position specified by the foundation and tightened.



### Step 4: Bracket installation

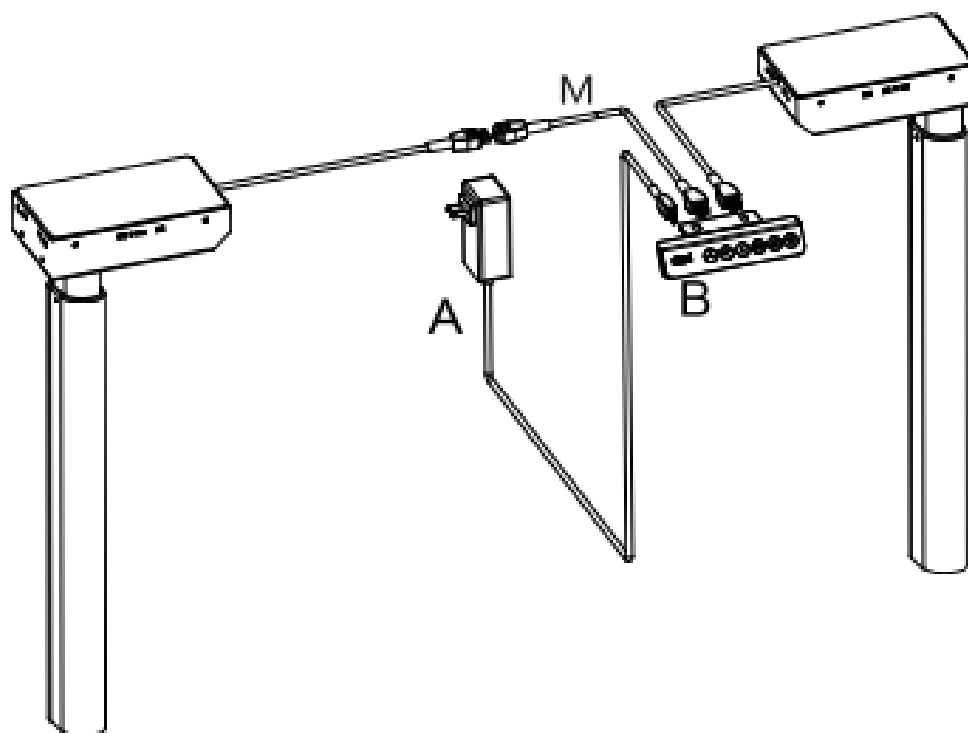
- Assemble the bracket (3) using a 4MM wrench (F) and M6X10 screws (J). Do the same on the other side.
- Note that the support arm and the anchor point of the table frame need to correspond.





## Step 7: Wire controlled installation

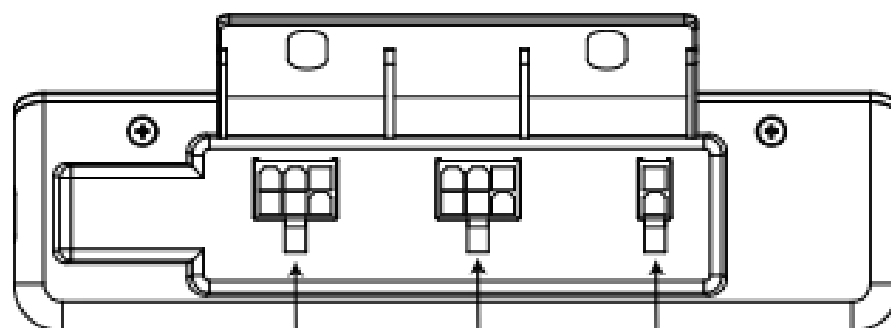
- Extension cable (M), connect to either end of the motor wire
- Power supply (A), connected to the controller power interface
- Motor input terminals, connected to the output interfaces of controller motor 1 and motor 2



A  
X1



M  
X1

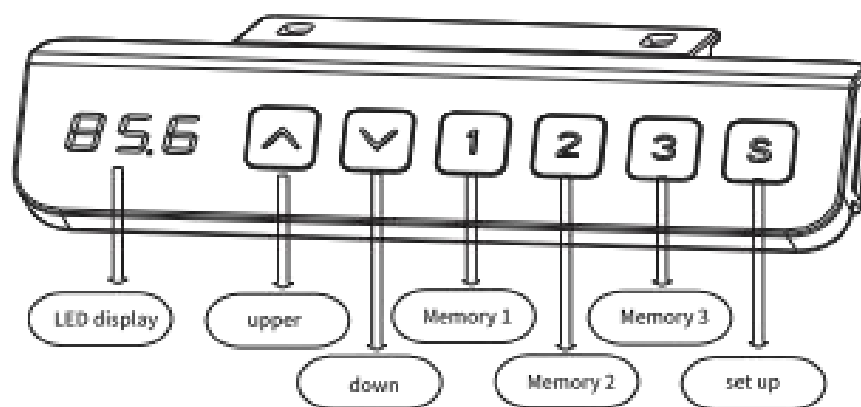


Motor 1

Motor 2

Power interface

# Manual controller operation instructions



Operation procedure	Operating instruction
Height adjustment	Rise: Hold down "↑". Fall: hold down "↓".
Memory storage	Click the S key, and the height value will start flashing. At this time, press the number 1 key to save the current height to the corresponding position. The settings for numbers 2 and 3 are the same as those for number 1
Reset Settings	Simultaneously press and hold "↑" and "↓", the LED screen will start flashing, and the table will slowly descend, automatically lowering to the lowest level to display the LED screen's digits. The reset is successful.
Safe child lock	<p><b>Lock setting:</b> Press and hold the S key for 3 seconds. When the LED screen displays "SET", press the number key 3 once to enter the lock screen state. At this time, the LED screen will flash and display "OFF"</p> <p><b>Unlocking setting:</b> In the lock screen state, press the S key for 3 seconds, and the LED screen will display the height value. At this time, release the S key to complete the unlocking process</p>
advanced setting	<p><b>Menu settings:</b> Press and hold the S button for 6 seconds, and when the LED screen displays "HLP", release the S button. At this time, the LED screen flashes alternately to display "HLP" and the current height value:</p> <ol style="list-style-type: none"> <li>1. Press the number key 1, the LED screen will flash to display "H-P", and press the S key to save the current value.</li> <li>2. Press the number key 2, the LED screen will flash and display "L-P". Press the S key to save the current value.</li> </ol> <p><b>Exit Settings:</b> 1. When the LED screen flashes alternately to display "HLP" and the current height value, if the S key is not pressed to confirm within 15 seconds, the setting mode will be exited. 2. When the LED screen flashes alternately to display "HLP" and the current height value, the current height value can be adjusted by using the up or down keys. When the LED screen flashes alternately to display "HLP" and the current height value, press the number key 3 to directly delete the set maximum and minimum heights:</p>

<p>Rebound when encountering obstacles</p>	<p>settings: Long press and hold the s button for 3 seconds. when the LED Screen displays "SET", release the S button and press the number key 2 to enter sensitivity settings. At this time, the LED screen flashes alternately to display "cpt" and the current sensitivity value. Adjust the sensitivity value by using the up or down button, and press the s button to save the current setting</p> <p>1. sensitivity 0/1/2/3/4, the higher the number, the higher the sensitivity</p> <p>2. when the LED Screen flashes alternately to display "cpt" and the current sensitivity value, the s key is not used to save confirmation, and the system automatically saves the current unit setting for 15 seconds</p>
<p>unit conversion</p>	<p>Long press and hold the s key for 3 seconds. when the LED Screen displays "SET", release the S Key and press the number key 1 to enter the unit conversion setting. At this time, the LED Screen flashes alternately to display "unt" and the current height value. Adjust the unit by pressing the up or down button, and press the s key to save the current setting.</p>
<p>Restore factory settings</p>	<p>press and hold the s key for 9 seconds. when the LED Screen displays "FAC", release the s key and operate it again to restore the factory settings.</p> <p>After restoring the factory settings, clear the memory position, height range, sensitivity, and units that have been set</p>

Troubleshooting guide:

If your lifting table is not working properly, try to reset the setting.

If any error codes occur, reset the settings.

If it does not work after the reset, please contact us for more help.

care and maintenance:

1. use a clean soft cloth to remove dust from the surface during routine maintenance. Do not wipe the table surface with damp cloth or hard material.
2. Avoid contact with acidic chemicals.
3. For slight scratches, wipe gently with a soft cloth to smooth the scratches. Do not stick adhesive items directly on the outer surface of the metal foot to prevent the surface from falling off.