



## TEKNİK ÖZELLİKLER / TECHNICAL SPECIFICATIONS

- 250V~50-60Hz 16A-3500W
- Standart No : TS IEC 60884-1

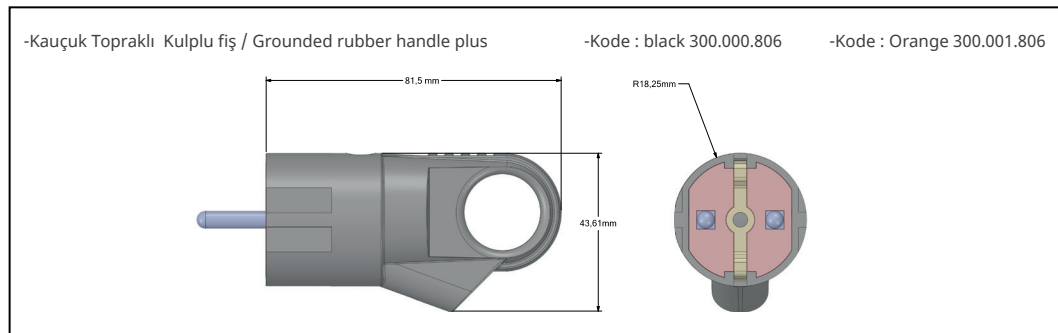
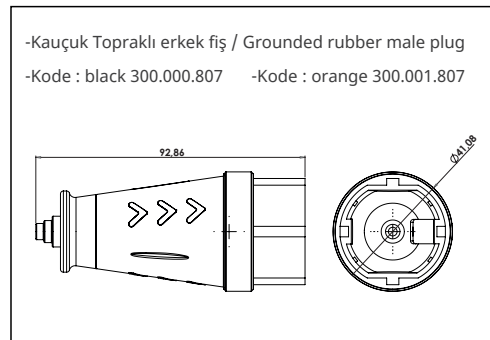
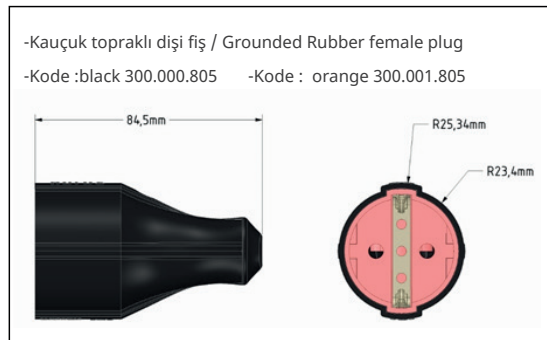
## ÇEŞİTLERİ / VARIETIES

- Renk / Color : Orange / Black

## MATERYALLER / MATERIALS

- Gövde / Top Casing : Kauçuk / Rubber
- Modül / conductive contacts slot : Elastomer
- Kontaklar / conductive contacts : CuZn MS 63

## TEKNİK RESİM / TECHNICAL DRAWING



Adress : Fatih Mah. Savcı Sk. No:1 Arnavutköy / İstanbul

Phone : +90 212 681 00 06

Fax : +90 212 681 00 02

info@tebelektrik.com  
www.tebelektrik.com