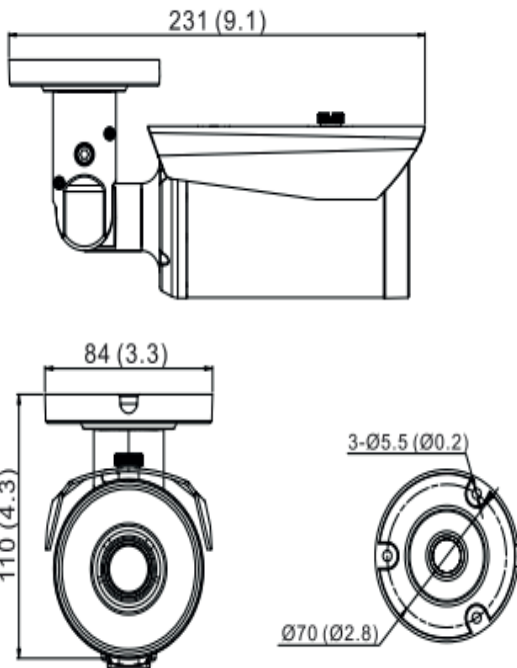




QVIS® THERMAL CAMERA

FEATURES:

- 384*288 uncooled thermal sensor technology
- Support temperature measurement
- Dual stream support (Stream rate: 20Kb-10M, Default stream rate 4M)
- ONVIF Profile S and Milestone Support, SDK available
- Storage: NVR, VMS
- Power Supply: DC12V±10%, PoE (Optional)



SPECIFICATION	BL-THERM
Thermal Camera	
Sensor Type	Microbolometer uncooled vox
Effective Pixels	384X288
Pixel Size	17µm
Thermal Sensitivity	50mK@30°C,#F1.0
Spectral range	8µm - 14µm
Lens	
Focal Length	13mm
Effective Distance	human:1.7m*0.6m,detection:275m,recognition:70m identity:46m
Temperature testing range	Low temp mode:-20°C to 250°C:up to+600°C:option
Test error	Max(±2°C±2%)
VIDEO/AUDIO	
Video Compression	H.264/H.265
Transmission Stream Rate	Dual Stream (Code Rate:20Kb~10M,Default Code Rate:4M)
Frame Rate	Main Stream:1~25fps(PAL),1~30fps(NTSC) Sub Stream:1~25fps(PAL),1~30fps(NTSC)
EXTERNAL INTERFACE	
Network Interface	RJ45*1 10M/100M
Network	
Protocol	TCP/IP, UDP, SMTP, PPPoE, DDNS, SNTP, DHCP, FTP, uPnP,RTSP,HTTPS,IPv6
Network Support	ONVIF Profile S,SDK,Milestone
Maximum Users	10
Language	English
Function	
Image Setting	Hue,Contrast, Brightness, Sharpness, Saturation
Storage	NVR, VMS
Video Type	Manual, Timing, Motion Detection, Alarm Video
Alarm Triggers	Motion Detection
Alarm Event	Snapshot, Video, Alarm Output, Email Upload,
System Explorer Support	Windows XP, Windows 7, IE7.0 and above
General Function	DWDR, 3DNR, Mirror, Watermark Overlay
General	
Power Supply	DC12V±10% , POE(Optional)
Current Consumption	770mA (Max.)
Dimension	231×84×110mm(9.1" ×3.3"×4.3")
Weight	820g (28.92oz.)
Operating Temperature	-30°C+45°C