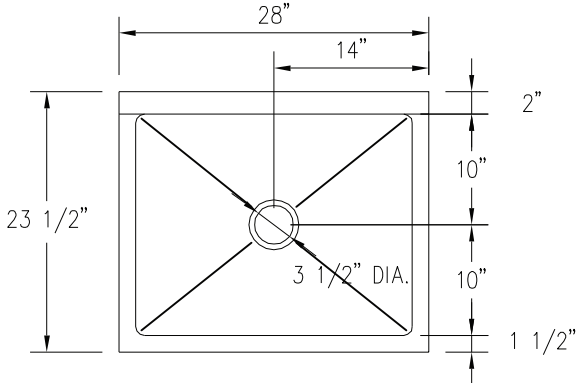
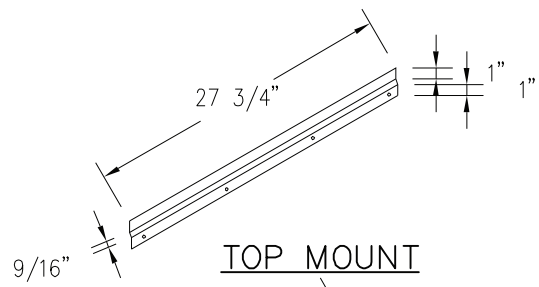


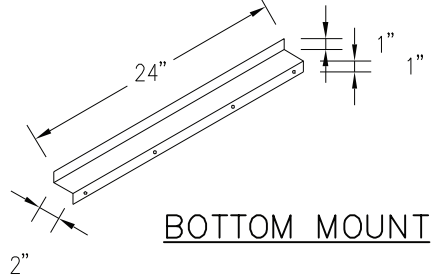
PART#	QTY	DESCRIPTION
SINK	1	16 GA. 200 OR 300 SERIES S.S.



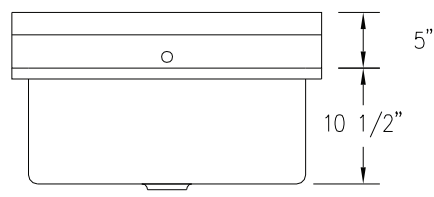
PLAN VIEW



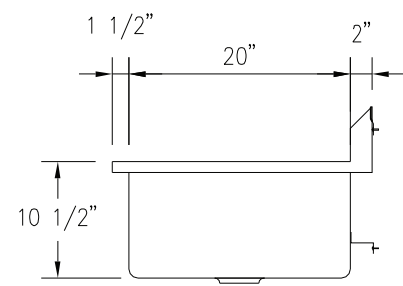
TOP MOUNT



BOTTOM MOUNT



FRONT ELEVATION



END VIEW

				CUSTOMER:	DWG:	V3006010	
REV.	DATE	BY	DESCRIPTION				
				PRODUCT:	SINGLE SCRUB SINK WALL MOUNTED		SCALE: _____ NTS
						DATE: _____	
						DR. BY: _____	