

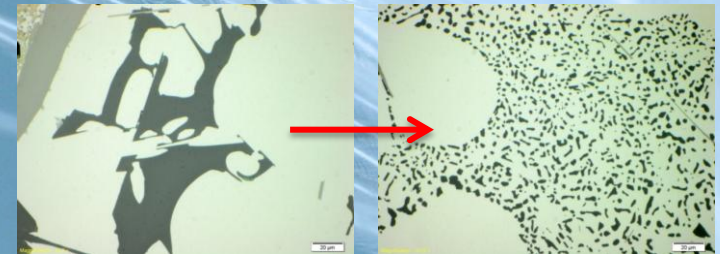
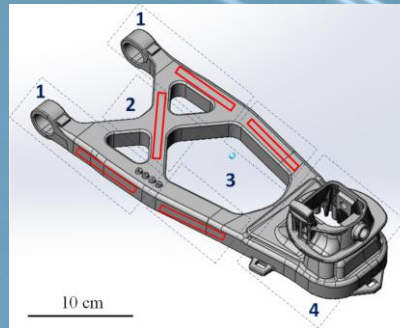
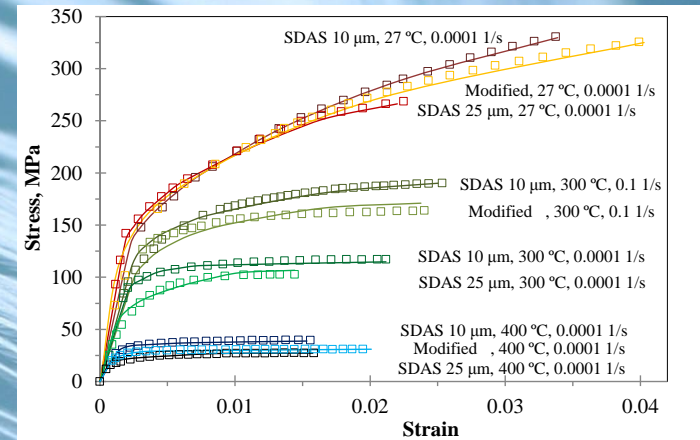
High Performing Aluminum Alloys for Room and Elevated Temperatures Usage

PhD student: Mohammadreza Zamani

Duration: 5 years

Funding: KK-stiftelsen

Advisors: Prof. Salem Sefeddine & Prof. Anders Jarfors



Research Scope:

- To improve mechanical properties of Al-Si cast alloys at room temperature.
- Development of suitable cast aluminum alloy systems for high temperature application.
- Modeling the deformation behavior of aluminum alloys based on underlying physics of material.

LIGHTer



JÖNKÖPING UNIVERSITY

- Jönköping University, Department of Materials and Manufacturing
- Kongsberg Automotive AB

