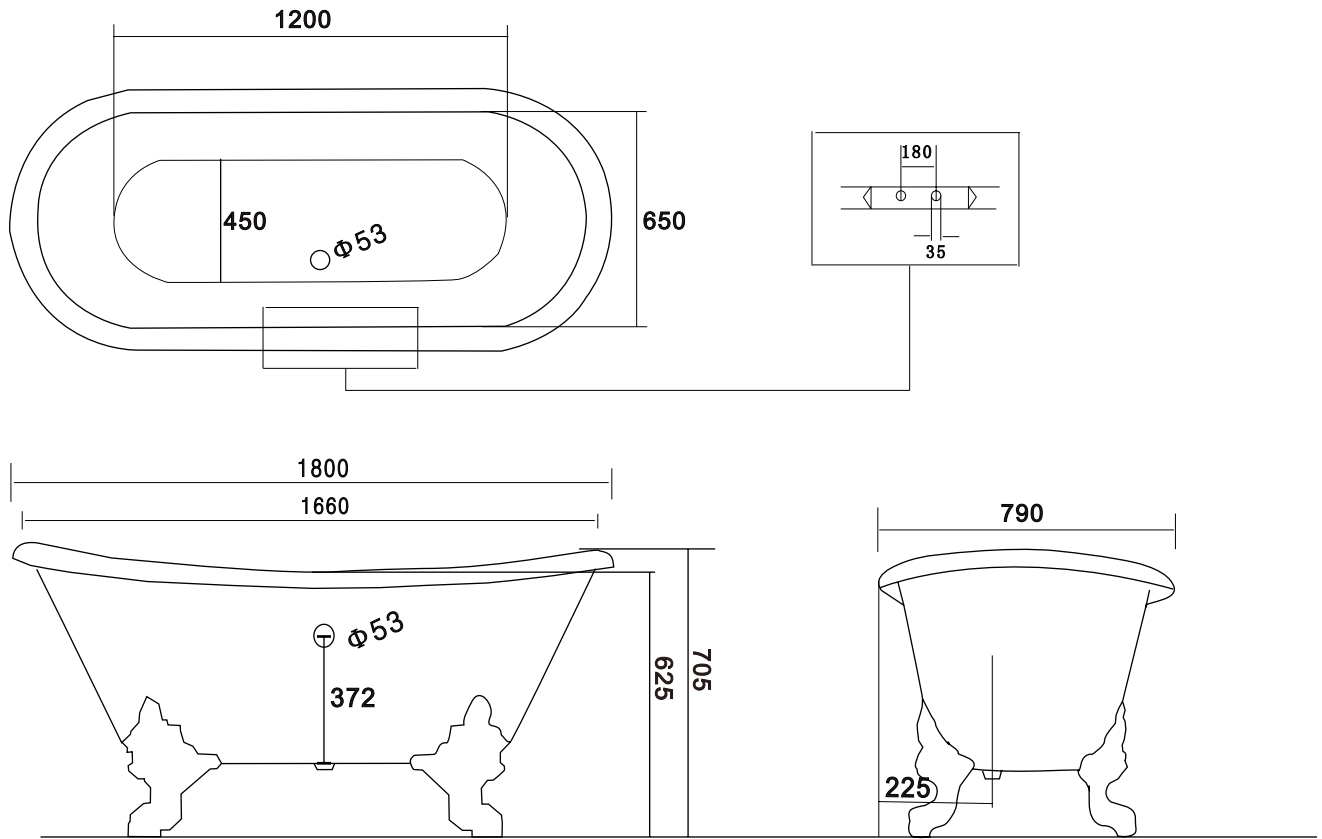


130.20711_Shannon (tech)

DIMENSIONS



Size: 1800x790x705/ 625mm

Material:Enameled cast iron

Weight: 135kgs+24kgs

Water Capacity:225ltr

