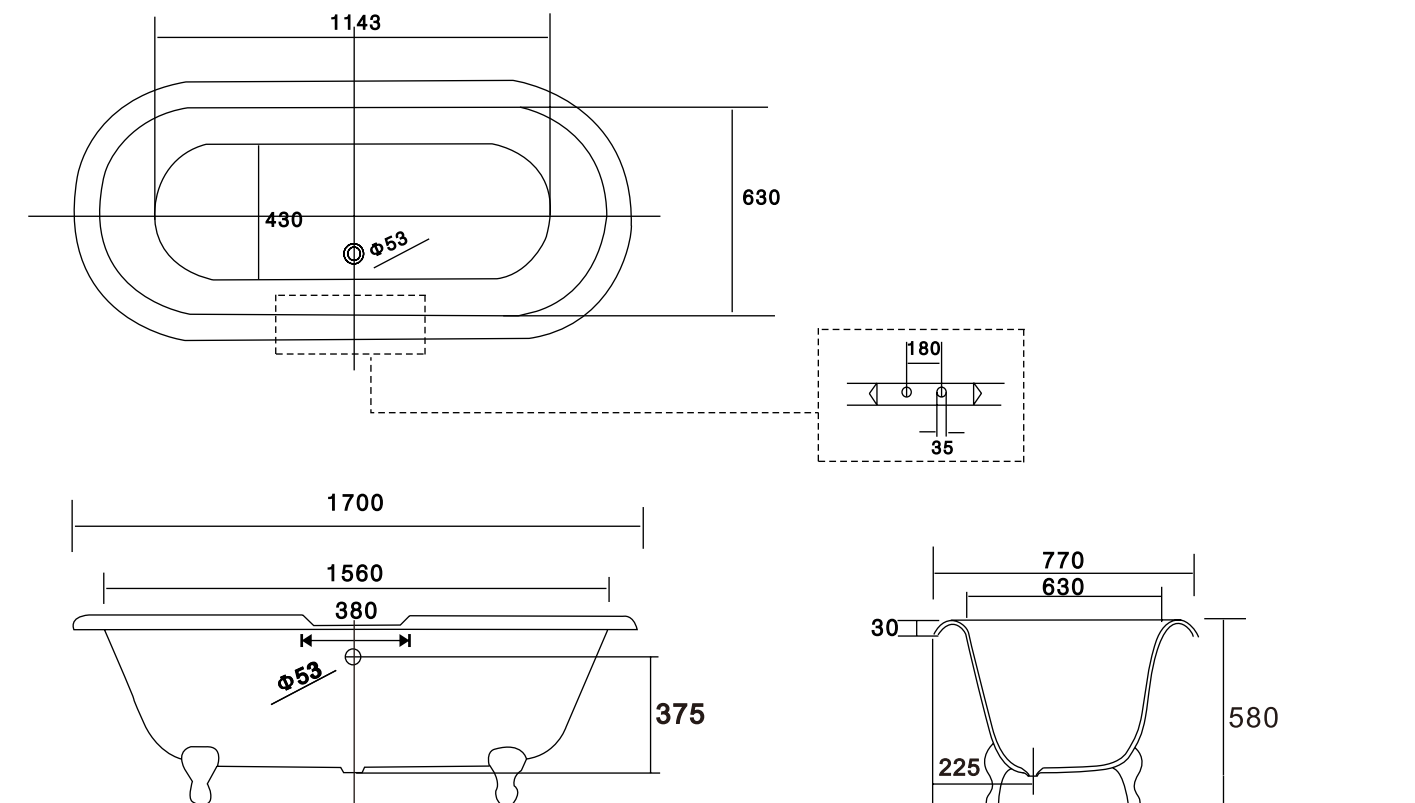


130.20890_Clara (tech)

DIMENSIONS



Size: 1700x770x580mm
Material: Enameled cast iron
Weight: 135kgs
Water Capacity: 200ltr

