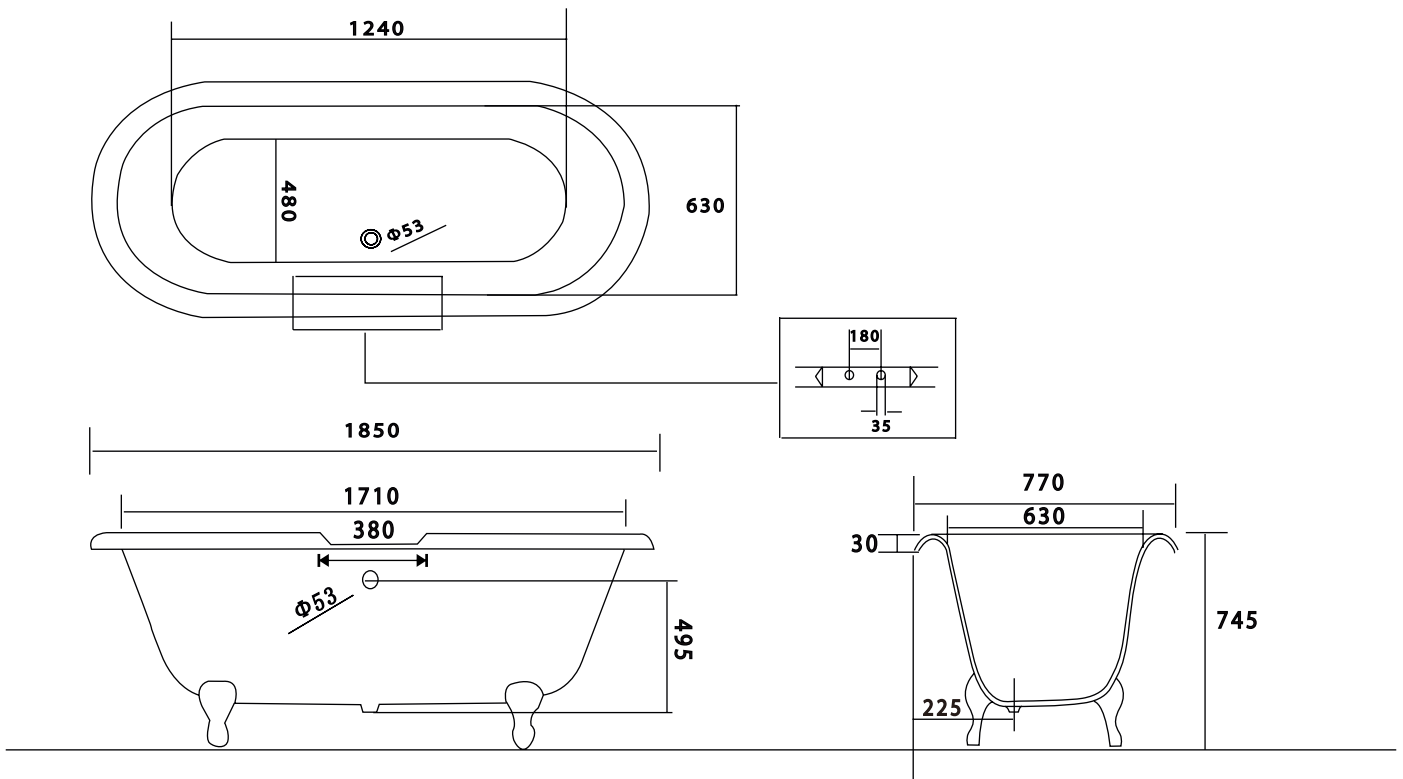


130.20891_Kinsale (tech)

DIMENSIONS



Size: 1850x770x745mm
Material: Enameled cast iron
Weight: 190kgs
Water Capacity: 285ltr

