



Valid for MY2021 Gallium Pro Disc 338A
Revision 1.0 - 12.01.2020



- 1. Tools Needed and First Aid Kit 3
- 2. Frameset Inspection 4
- 3. Frameset Parts, SKUs and descriptions 5-6
- 4. Assembly instructions 7-21
 - 4.1. Headset Installation 7
 - 4.2. Seat Post Collar Assembly 8
 - 4.3. Seat Post Assembly 9-10
 - 4.4. Rear Derailleur Hanger Adjustment 11
 - 4.5. Mechanical groupset specification 12-14
 - 4.6. Electronic (Di2) groupset specification 15-18
 - 4.7. Electronic (Wireless) groupset specification 19-21
- 5. Troubleshooting / Tips / Specification 22
- 6. Min/Max Seat Post Insertion 23

My Gallium Pro Disc

Date of purchase: _____

Retailer: _____

Size: _____

Serial Number: _____

For the warranty to be valid, the bicycle must be fully assembled by an authorized Argon 18 dealer. High-end components, particularly carbon parts, need extra care when assembled. These components must be installed using a calibrated torque wrench to make sure every bolt is at the right torque setting to prevent damage.



Tools needed for assembly

- 1: Bearing Cup Press (Park Tool HHP-2)
- 2: Allen Key Set
- 3: Grease
- 4: Utility Pick Set (Park Tool Item #UP-SET)
- 5: Clean Rags
- 6: Derailleur Hanger Alignment Gauge (Park Tool Item #DAG-2 or #DAG-2.2)
- 7: Cables and Housing Cutter
- 8: Carbon Paste
- 9: Loctite #242
- 10: Torque Wrench

First Aid Kit: Essential parts to always have on hand
IN CASE OF EMERGENCY...THIS MIGHT SAVE YOUR RIDE!

- 1: Spare rear derailleur hanger assembly
- 2: Seat post collar

(Direct mount option if utilized)





BEFORE ASSEMBLING YOUR NEW GALLIUM PRO DISC, MAKE SURE THAT YOU HAVE ALL THE FOLLOWING:

1. Frameset parts (see p.5-6)
2. All the necessary bolts (refer to Frameset Parts, p.5-6)

WHEN ASSEMBLING YOUR NEW GALLIUM PRO DISC, MAKE SURE YOU FOLLOW THIS PROCEDURE:

3. Inspect the frame for cosmetic aspect (scratches, bumps, cracks, paint defect, etc.)
4. For reference, check serial number and write it on p.2
5. For optimal shifting performance, use a derailleur hanger alignment gauge to make sure that the derailleur hanger is straight (p.11)

IMPORTANT:

The following parts are assembled on the frame. When assembling the bike, you will need to adjust these parts according to their torque specifications.

Parts installed on the frame	Description	Screw type	Torque Nm	Detail
Water bottle cage screws	Screw (4x)	5 mm	3 Nm	Grease
Chain stay cable guide	Screw (2x)	3 mm	1.5 Nm	Grease
Seat post collar	M5 Screw (1x)	Socket head	4Nm	Grease
Seat post head	M5 Screws (2x)	Socket head	4.5Nm	Grease
Rear derailleur hanger	M4 Screw (1x)	Flat head	2Nm	Loctite



FK.GAPD.XXS-S.338A
FK.GAPD.M-XL.338A



80805



80812



80813



80804



80802



80832



80811



SP.GAPD.338A



38446



80554



80553



38879



80551



80550



80549



80552



80546



80555



80807



80548



80547



81453



No.	Name	Assembled on	A18 SKU#	Qty
Parts already assembled				
-	Flat Head Socket Cap Screw - M3 x 0.5 x 10mm LG	Frame	80555	2
-	Water Bottle Cage Screw - M5 x 16mm LG	Frame	80807	4
1	Rear Derailleur Hanger Assembly (incl. Hanger, Dropout, screw)	Frame	80802	1
5	Cable Stopper	Frame	38879	2
6	Bottom Bracket Cable Guide	Frame	80547	1
8	Removable Cable Stopper	Frame	80552	1
Parts				
-	Gallium Pro Disc Fork (XXS/XS/S), 254mm steerer -OR-	-	FK.GAPD.XXS-S.338A -OR-	-
-	Gallium Pro Disc Fork (M/L/XL), 302mm steerer	-	FK.GAPD.M-XL.338A	-
-	DT Swiss RWS Thru-axle FRONT 12 x 119mm	Fork	80812	1
-	DT Swiss RWS Thru-axle REAR 12 x 161mm with removable handle	Frame	80813	1
2	Seat Post Collar	Frame	80546	1
3	Gallium Pro Disc Seat Post Assembly	-	SP.GAPD.338A	1
4	Oblong Hydraulic Brake Housing Grommet	Frame	80551	2
7	Round Plug	Frame	80554	3
9	Headset No.37 + 3D Assembly, with compressor TH-881-1	Fork	81453	1
10	Oblong Plug	Frame	80549	2
11	Oblong Grommet	Frame	80550	1
12	Bottom Bracket Cover, Electronic	Frame	80548	1
13	Round Di2 Grommet for FD	Frame	80553	2
14	Internal Di2 Battery Support	Seat Post	38446	1 Set
15	Direct Mount Rear Derailleur Hanger	Frame	80832	1
16	Long plug	Frame	80804	1
17	Long grommet Di2	Frame	80805	1
18	Foam liner	Frame	80811	1

*Except for the frame itself, which is not sold as a spare part, all parts can be ordered by referring to their respective SKU number.



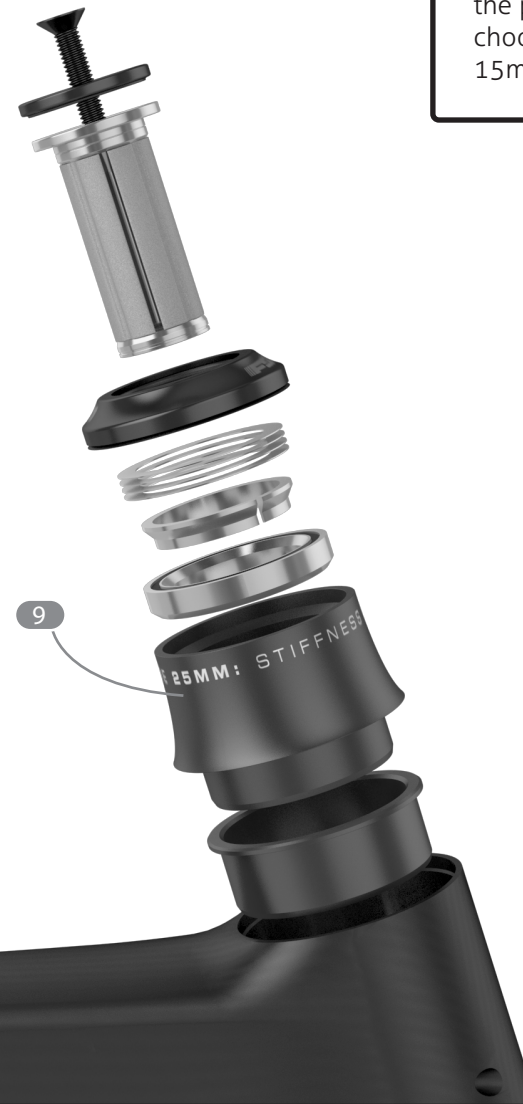
Install the 3D headset (9) according to the pressfit assembly guide. You can choose from 3 different heights: 25mm, 15mm or 0mm.

IMPORTANT:

No more than 30mm of spacers can be placed between the stem and the top cap of the 3D system.

The steerer must be trimmed no more than 5mm above the stem. The use of more than 5mm of spacers above the stem could void the efficiency of the compressor.

These practices will automatically cancel any warranty claim against the manufacturer.



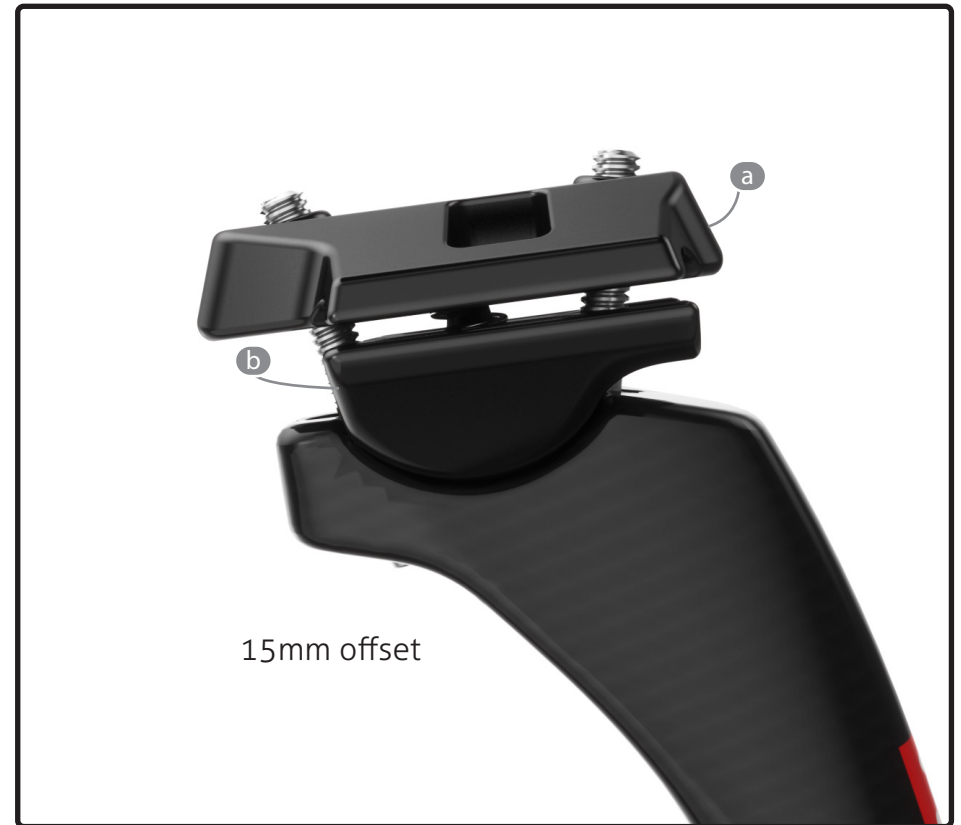
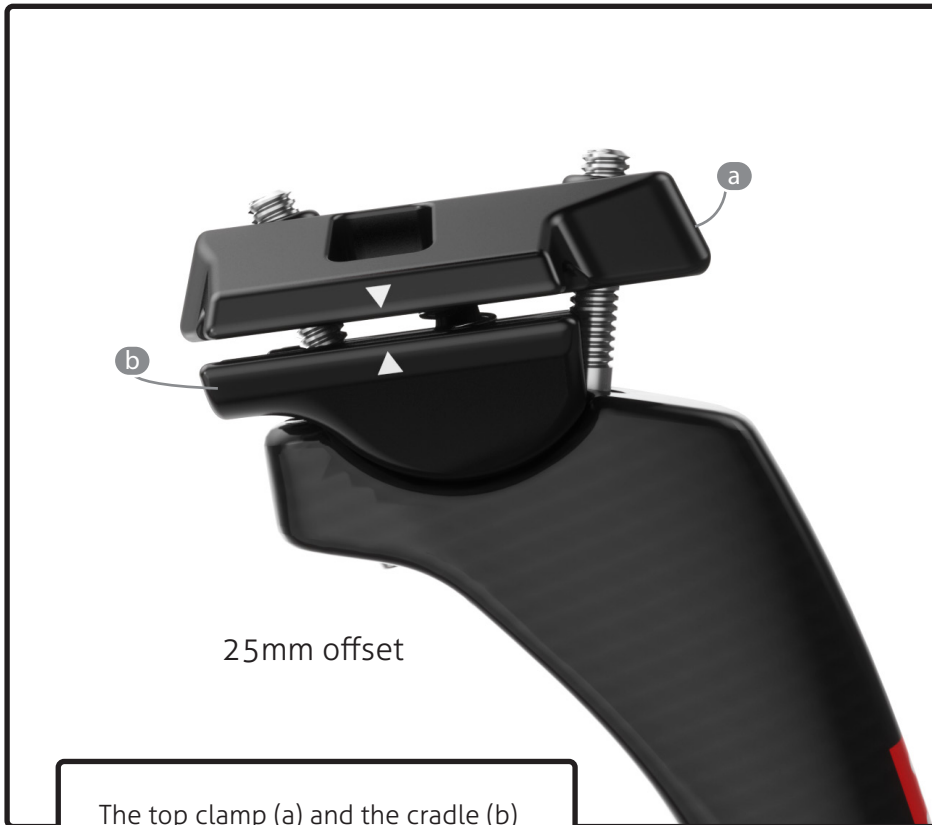


Assemble the seat post collar (2) with the seat post (3). Apply carbon paste inside the frame's seat tube and on the seat post where it inserts inside the frame. Tighten the bolt at 4 Nm.

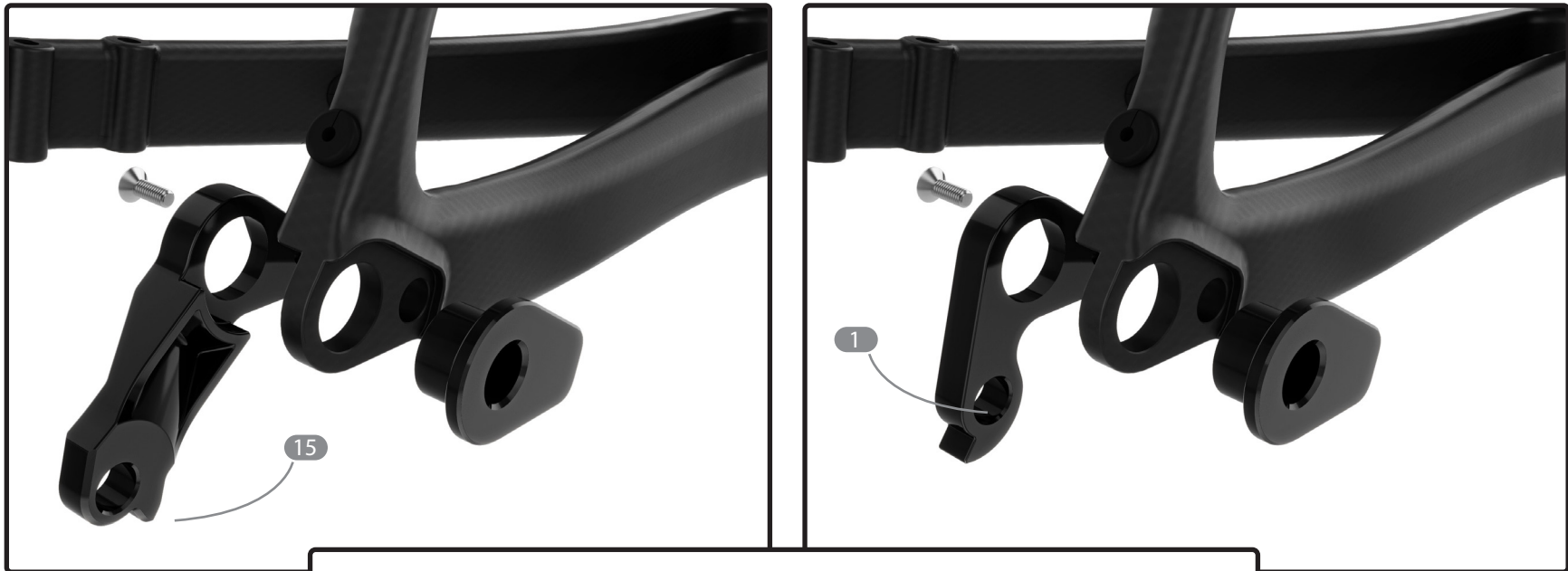


The seat post (3) is supplied fully assembled. It's equipped with a spring-loaded head for easy installation of the saddle.

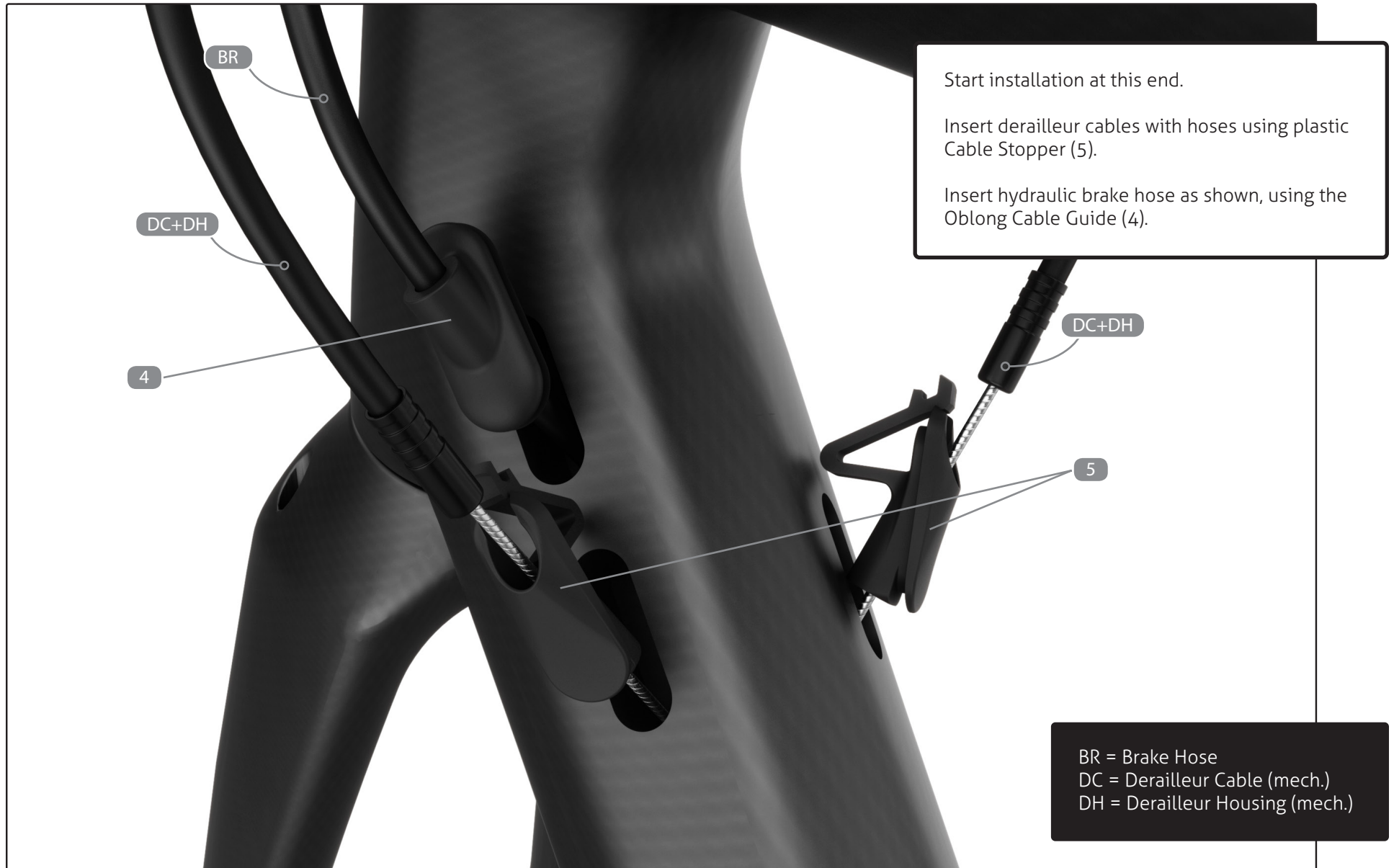
1. Unscrew both bolts slightly until the top clamp (a) and the cradle (b) are separated enough to insert the saddle rail. Do not unscrew the bolts completely.
2. Screw both bolts in order to adjust the angle of the saddle and clamp the rail.
3. Tighten bolts at 4.5Nm.

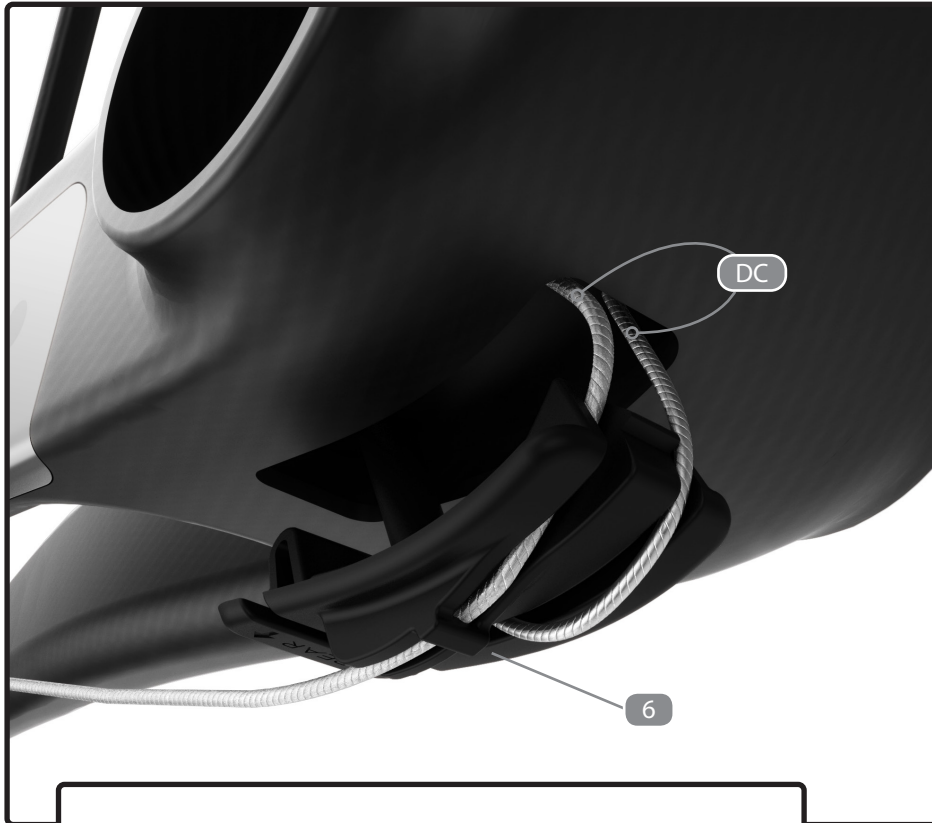


The top clamp (a) and the cradle (b) can be flipped to change the saddle offset between 15 or 25mm.



1. Select the correct rear derailleur hanger depending on the type of derailleur that you have.
 - Direct mount (15)
 - Regular mount (1)
 2. Make sure to align the rear derailleur hanger.
 3. Use Derailleur Hanger Alignment Gauge like Park Tool Item #DAG-2.
- For any assistance, visit Park Tool's website:
www.parktool.com/product/derailleur-hanger-alignment-gauge-dag-2



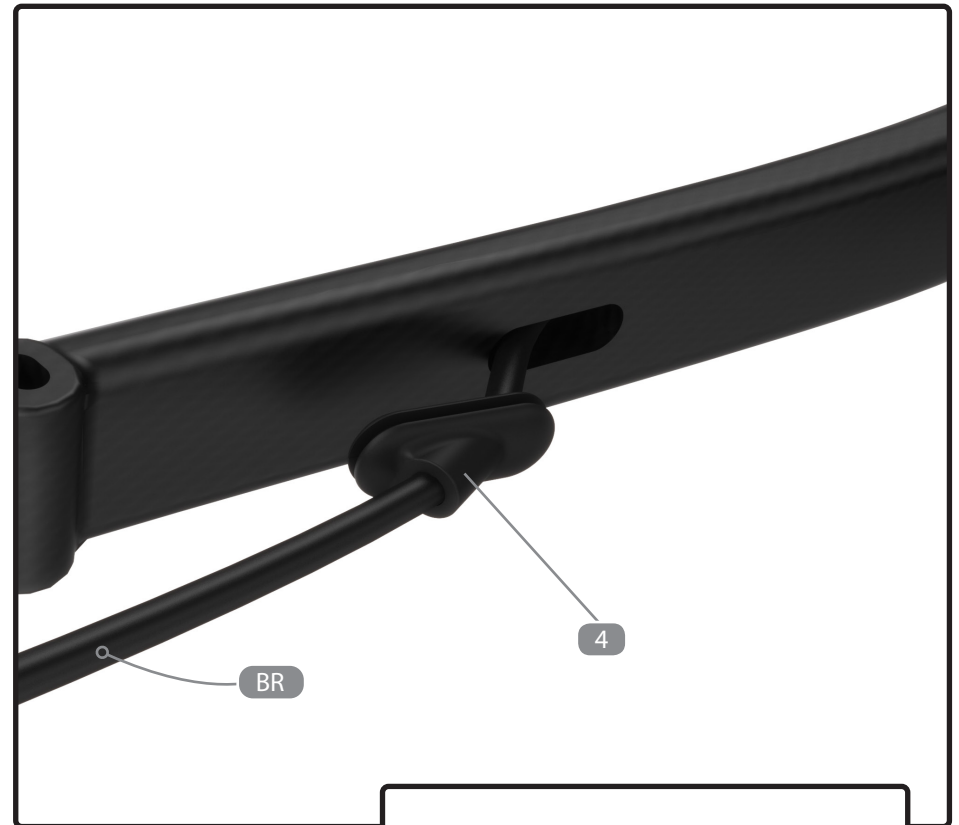


DC = Derailleur Cable (mech.)

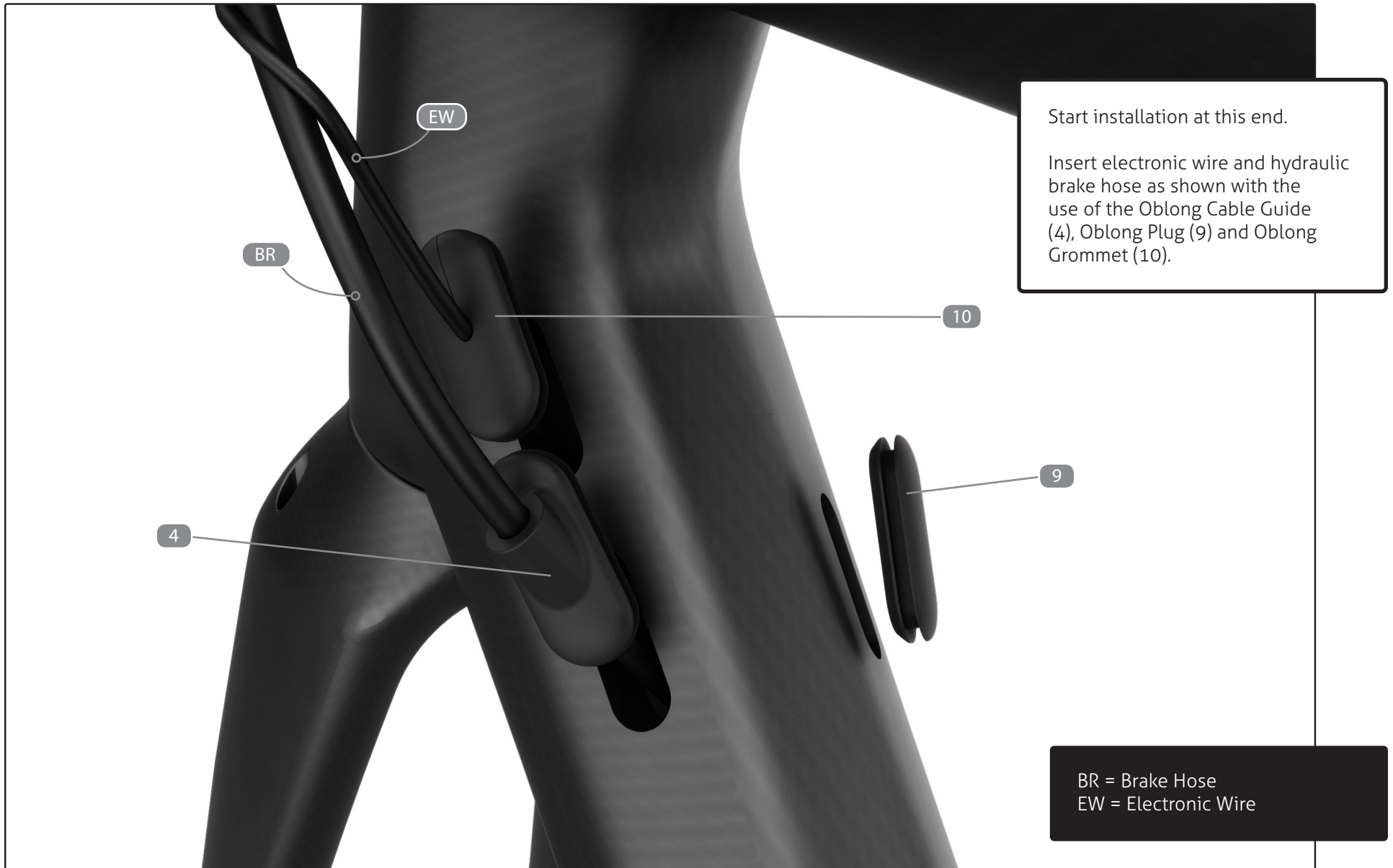
Exit derailleur cables through bottom bracket (BB) hole.
Insert in the appropriate slots in the BB guide (6).
Making sure the pipe is aligned with the top hole, insert BB guide in the square hole until it clicks.
Plug the FD Hange hole with the Round Plug (7).

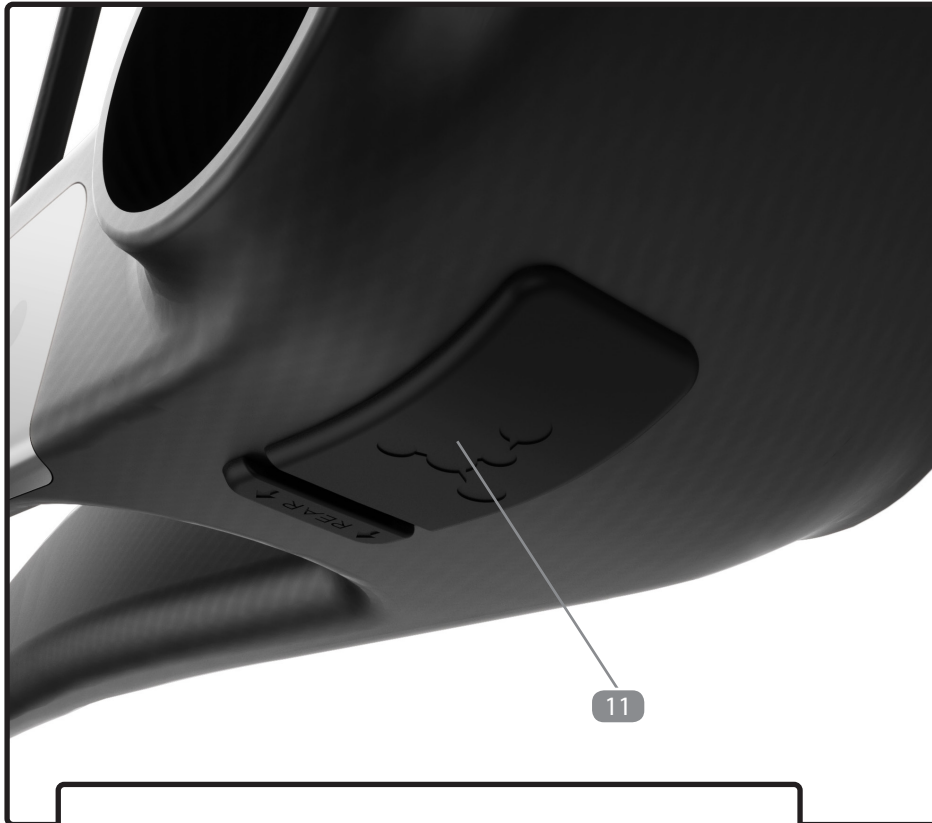


BR = Brake Hose
DC = Derailleur Cable (mech.)
DH = Derailleur Housing (mech.)



Exit the hydraulic brake hose through the hole on the chain stay.





EW = Electronic Wire

Use the square hole to connect all the wires to the junction box.

Insert the junction box in the hole.

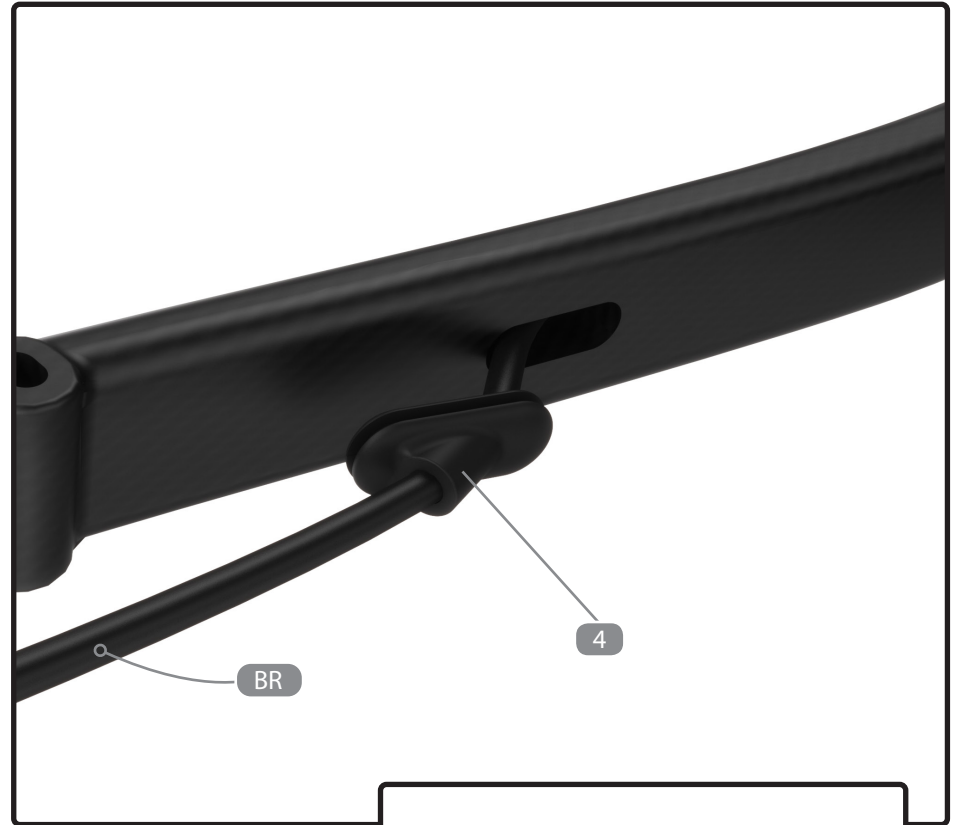
Insert the BB cover (11) in the square hole until it clicks.

Use the Round Grommet (12) to secure the Di2 cable in the FD hole.

Plus the hole near the BB with the Round Plug (7).



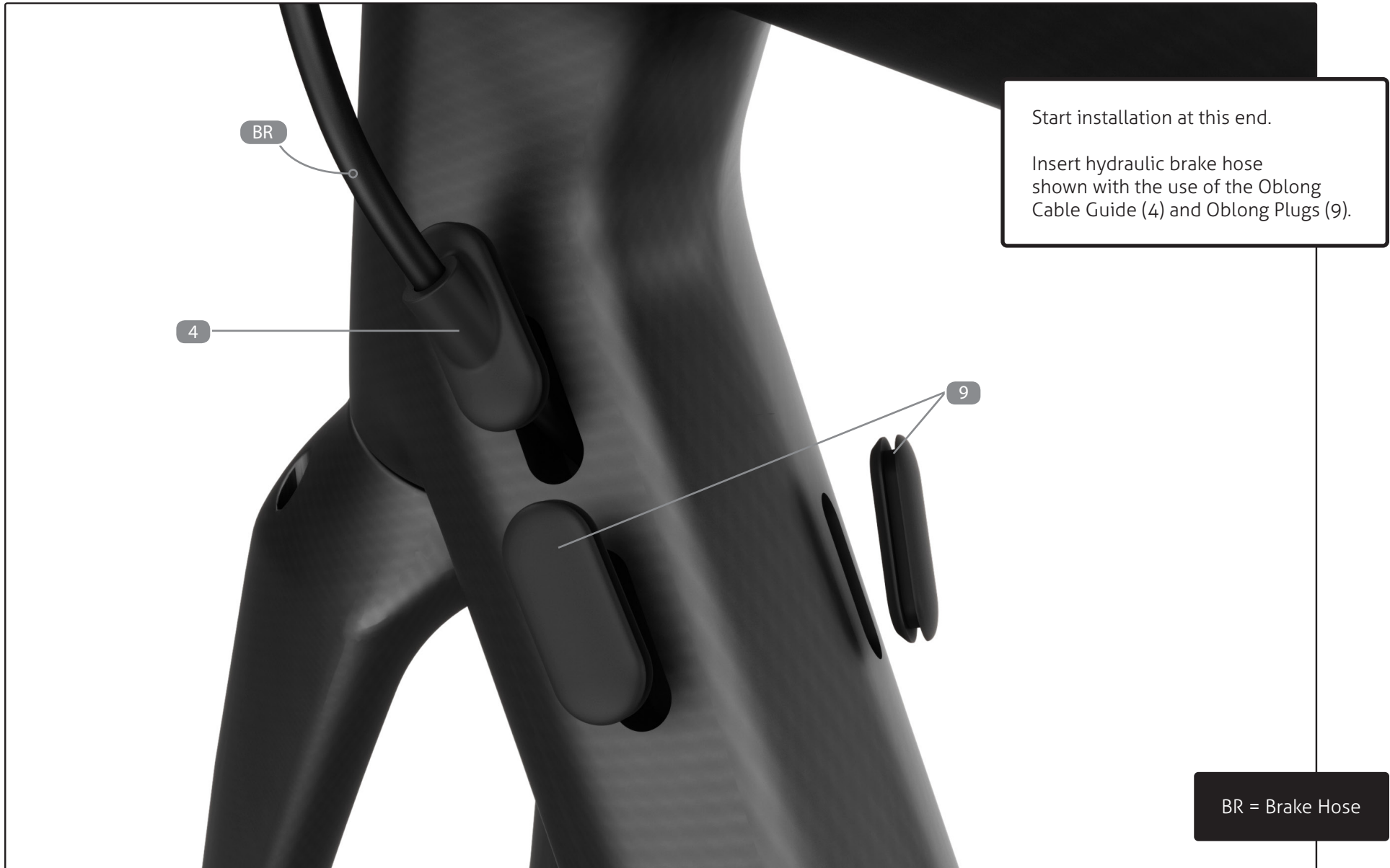
BR = Brake Hose
EW = Electronic Wire



Exit the hydraulic brake hose through the hole on the chain stay.



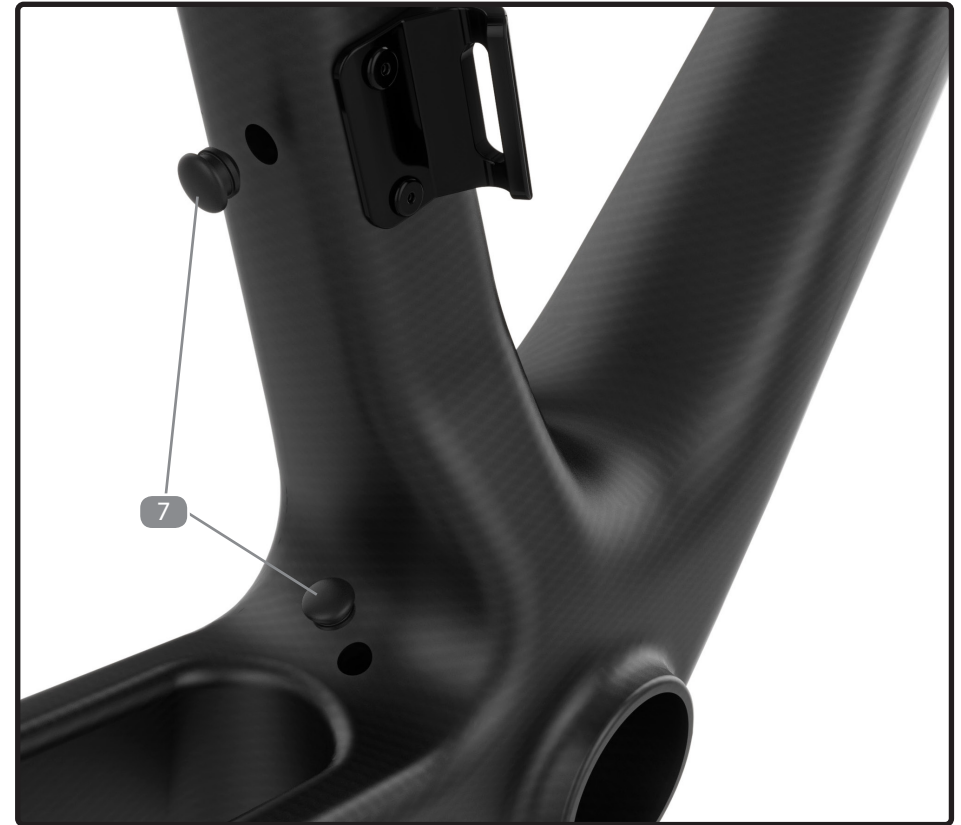
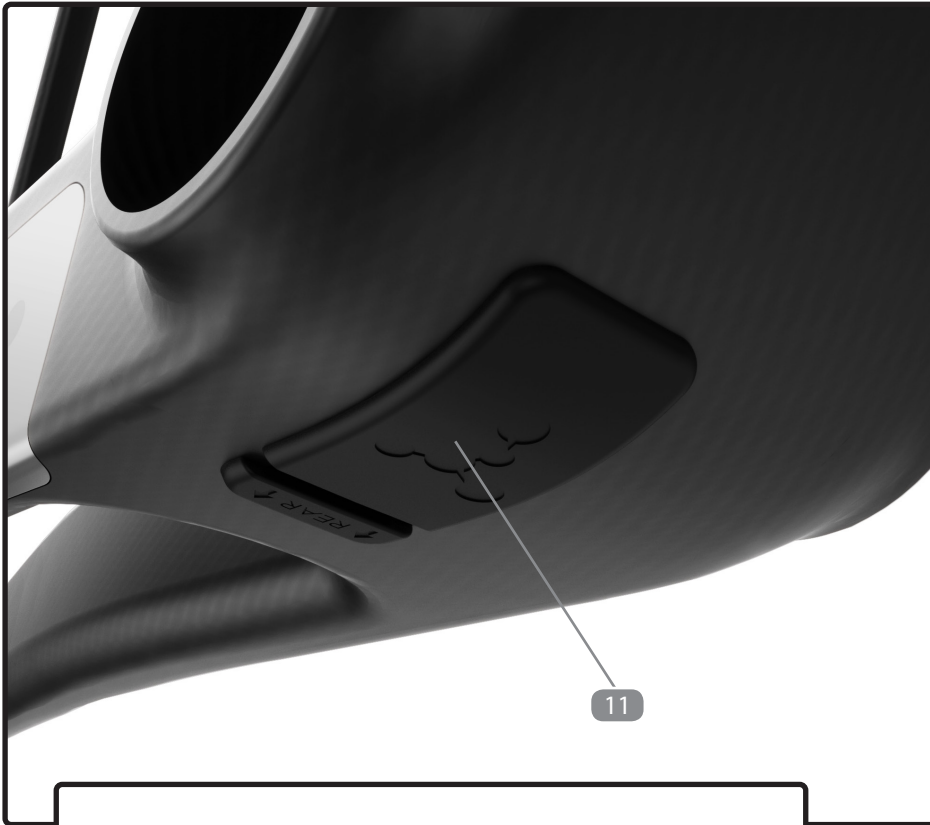
The Di2 battery is hidden in the seatpost; use the Di2 battery holder (13) to fix the battery correctly. Apply a slight amount of grease on both parts.



Start installation at this end.

Insert hydraulic brake hose shown with the use of the Oblong Cable Guide (4) and Oblong Plugs (9).

BR = Brake Hose



Use the square hole to connect all the wires to the junction box.

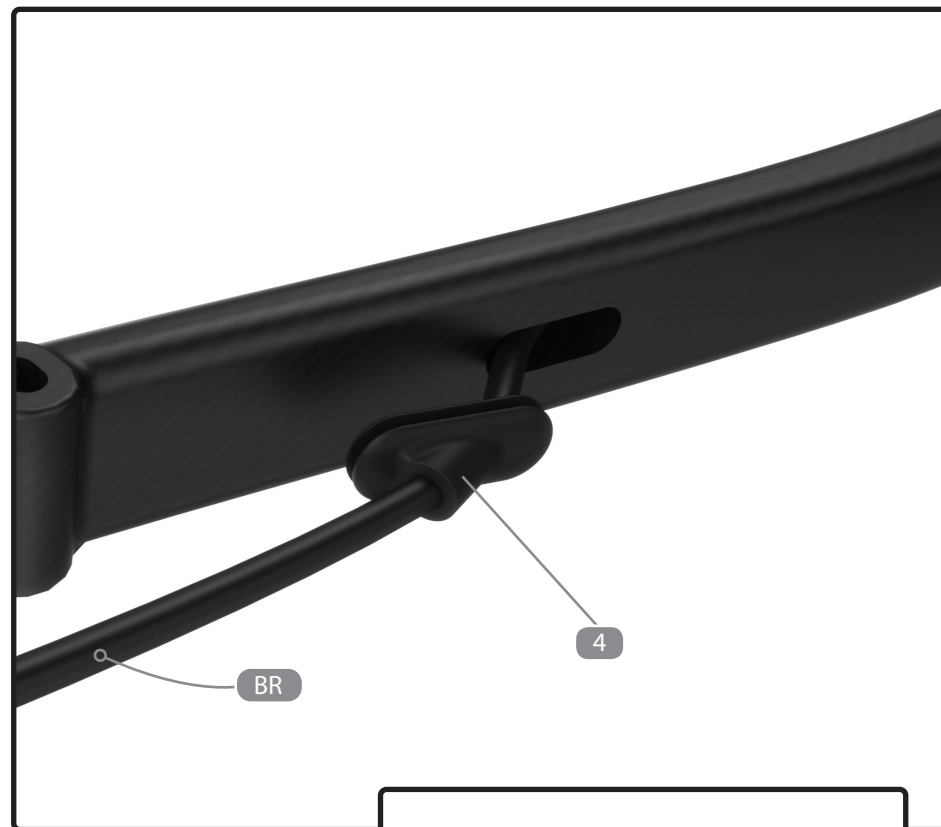
Insert the junction box in the hole.

Insert the BB cover (11) in the square hole until it clicks.

Use the Round Plugs (7) to plug holes near the FD hanger and BB.



BR = Brake Hose



Exit the hydraulic brake hose through the hole on the chain stay.



SPECIFICATIONS

Brakes

Use only flat mount hydraulic disc brakes. The frame and fork are compatible with either 140mm or 160mm disc rotors. Adapters might be required, consult brake manufacturer.

- Rear mount thickness: 30mm
- Rear flat mount fixing bolt length (for 140mm rotor): 43mm
- Rear converter fixing bolt length (for 160mm rotor): 36.8mm

Axles

Thru-axles 12mm, DT Swiss type, with removable handle. Axles are included with frameset.

Tire Clearance

Up to 30mm tire clearance (28c).

Seat Post

27.2mm (Argon 18 Gallium Seat Post Assembly Included)

Seat Post Clamp

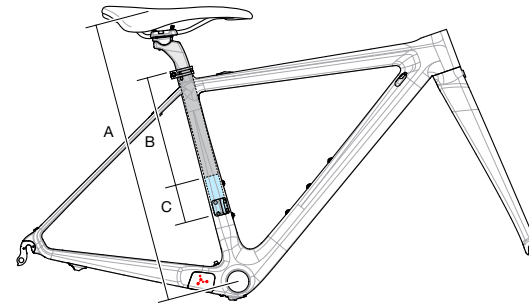
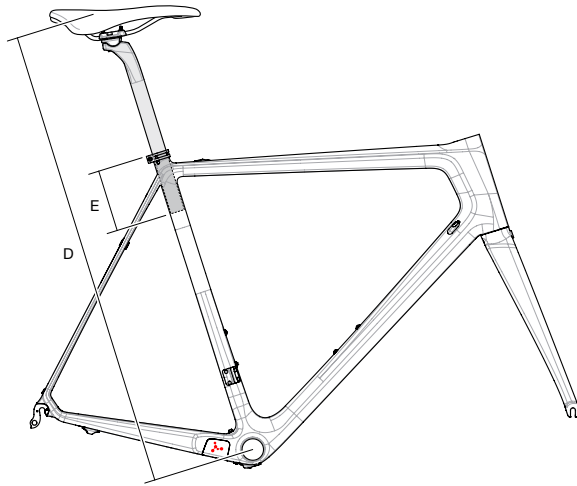
30.7mm

Bottom Bracket

BB86 (Press-fit)

Headset

FSA No 37 + 3D Press-fit (Bearing 1 1/8" , 36°x45° top and 1 1/2" , 36°x45° bottom + FSA TH-881-1 Compressor included)



Refer to the tables below for details on Saddle Height and SeatPost insertion limits.

- i. The correct frame size must be determined according to the saddle height limits.
 - A. Minimum Saddle Height
 - D. Maximum Saddle Height

- ii. Depending on the size of the frame and the desired saddle height, the SeatPost might need to be cut.
 - B. Maximal insertion depth in the Frame's SeatTube.
 - C. Required SeatPost cut length to be able to adjust the Saddle Height at the Minimum position.
 - Adjust the SeatPost cut length in accordance with your desired Saddle Height.
 - Required minimum SeatPost Cut length = C - ("desired Saddle Height" - A)**
 - Example: - For a desired Saddle Height of 600mm on a
XXS-Gallium Pro Disc Frame
 - The required minimum SeatPost Cut length is: 65 - (600-540) = 5mm
 - E. Minimal insertion depth in the Frame's SeatTube.

Saddle Height Limits		GA/GaPro disc			
Size	Saddle H Min	ST Max Insert	SP Cut	Saddle H Max	SP Min Insert
	mm	mm	mm	mm	mm
	A	B	C	D	E
XX-Small	540	215	65	740	80
X-Small	575	245	35	775	80
Small	613	250	30	813	80
Medium	650	285	0	850	80
Large	685	320	0	885	80
X-Large	715	350	0	915	80