



Valid for MY2021 Krypton Pro 333A
Revision 1.0 - 09.27.2020



Valid for MY2021 Krypton GF-IST 334A
Revision 1.0 - 09.27.2020



- 1. Tools Needed and First Aid Kit 2
- 2. Frameset Inspection 3
- 3. Troubleshooting / Tips / Specification 4
- 4. Bike Fitting 5
 - 4.1. Sizing Chart 6
 - 4.2. Min/Max Seat Post Insertion 7
 - 4.3. Stack Height Adjustment 8
 - 4.4. Stem Compression Cap and Over-Stack Spacer 9
 - 4.5. Cutting the Fork’s Steerer Tube 10
 - 4.6. Headset Installation..... 11
- 5. Rear Derailleur Hanger Adjustment 12
- 6. Cable and Housing Routing - Electronic Shifting..... 13
- 7. Cable and Housing Routing - Mechanical Shifting 17
- 8. Stem Assembly 21
- 9. Seat Post Collar Assembly 28
- 10. Seat Post Assembly..... 29
- 11. Chain Catcher 30
- 12. Fender bracket 31
- 13. Frameset Parts’ SKU and Description 32
- Annex A. Stem Swap Kits 35
- Annex B. Tips for Traveling with a Bike Box..... 36

My Krypton Pro / Krypton GF-IST

Date of purchase: _____

Retailer: _____

Size: _____

Serial Number: _____

For the warranty to be valid, the bicycle must be fully assembled by an authorized Argon 18 dealer. High-end components, particularly carbon parts, need extra care when assembled. These components must be installed using a torque wrench to make sure every bolt is at the right torque setting to prevent damage.



Tools needed for assembly

1. Bearing Cup Press (Park Tool HHP-2)
2. Allen Key Set
3. Grease
4. Utility Pick Set (Park Tool Item #UP-SET)
5. Clean Rags
6. Derailleur Hanger Alignment Gauge (Park Tool Item #DAG-2)
7. Cables and Housing Cutter
8. Carbon Fiber Assembly Paste
9. Threadlocker (Loctite #242)
10. Torque Wrench

**First Aid Kit: Essential parts to always have on hand
IN CASE OF EMERGENCY...THIS MIGHT SAVE YOUR RIDE!**

1. Spare rear derailleur hanger:

(Direct mount option if utilized)



SKU: 80802



SKU: 80832

2. Seat post clamp



SKU: 80801



BEFORE ASSEMBLING YOUR NEW KRYPTON PRO / KRYPTON GF-IST, MAKE SURE THAT YOU HAVE ALL THE FOLLOWING:

1. Frameset parts checklist (see Frameset Parts' SKU and Description p.31-34)
2. All the necessary bolts (refer to Frameset Parts' SKU and Description, p.31-34)

WHEN ASSEMBLING YOUR NEW KRYPTON PRO / KRYPTON GF-IST, MAKE SURE YOU FOLLOW THIS PROCEDURE:

3. Inspect the frame for cosmetic aspect (scratches, bumps, cracks, paint defect, etc.)
4. For reference, check serial number and write it on p.1
5. For optimal shifting performance, use a dropout alignment gauge to make sure that the drive-side dropout is straight

IMPORTANT:

The following parts are assembled on the frameset. When assembling the bike, you will need to adjust these parts according to their torque specifications when necessary.

	Parts installed on frameset	Description	Screw type	Torque Nm	Detail
1	Front derailleur hanger	Riveted	-	-	-
2	Chain suck guard	Glued	-	-	-
3	Seatpost Collar	M5 Screw (1x)	Socket head	4Nm	Grease
4	Seatpost head	M5 Screws (2x)	Socket head	4.5Nm	Grease
5	Water bottle cage screws	M5 Screws (4x)	Socket head	3Nm	Grease
6	Removable CS cable stopper	M3 Screws (2x)	Flat head	1.0 -1.5Nm	Grease
7	Rear derailleur hanger	M4 Screw (1x)	Flat head	2Nm	Loctite
8	Small chain catcher	M5 Screw (1x)	Socket head	3Nm	Nylok
9	Headset cap screw	M4 Screw (1x)	Flat head	0.5-1.0Nm	Dry
10	Console cap screw	M4 Screws (2x)	Flat head	0.5-1.0Nm	Dry
11	Stem's steerer clamp screw	M5 Screws (2x)	Socket head	5 Nm	Grease
12	Stem's handlebar clamp screw	M5 Screws (2x)	Socket head	5 Nm	Grease
13	HS Compressor cap screw	M5 Screw (1x)	Flat head	3 Nm	Grease
14	HS Expander's wedge screw	Custom expander (1x)	6mm Allen socket	10 Nm	Grease



Brakes

Use only flat mount hydraulic disc brakes. The frame and fork are compatible with either 140mm or 160mm disc rotors. Adapters might be required, consult brake manufacturer.

- Rear mount thickness: 25mm

Tire Clearance

The biggest tires that can be installed must be no wider than 34mm (32c) for the rear and front wheel. If fenders are installed, the tires must be no wider than 30mm (28c).

Seat Post

27.2mm

Seat Post Collar

31.8mm

Bottom Bracket

BB86 (Press-fit)

Headset (Krypton Pro / Krypton GF-IST specific)

FSA No 30/Kit2 + 3D Press-fit (Bearing 1 1/8", 36°x45° top and 1 1/2", 36°x45° bottom + Custom Krypton Pro Steerer Compressor included)

Stem

Non-reversible, -6°

Handlebar clamp size: Ø31.8mm

No more than 30mm of spacer can be placed between the stem and the top cap of the 3D system. The headset expander plug must be placed directly at the same height at the stem steerer clamping, or else it will void the efficiency of the compressor. These practices will automatically cancel any warranty claim against the manufacturer.



Headset cap:

When uninstalling the headset cap, you need to first loosen the headset cap, remove the HS cap screw and remove the fork from the frame. Then you need to pinch the rear section the headset cap and lift the rear section upward. This will release the headset cap from the frame.



Here are the basic bike-fitting steps to follow before proceeding with the complete assembly.

Consult your authorized Argon 18 Dealer to assure a proper fit that takes into account your personal specifications.

STEP 1: Frame Size

- Using the Sizing Chart (p.6), determine the required frame size based on your saddle height measurement. Where two frame sizes are suggested, you can choose depending on your preferred stack, reach and stand-over clearance.

STEP 2: Saddle Height

- The seat post might need to be cut-to-size depending on your required saddle height. Refer to Min/Max Seat Post Insertion instructions (p.7).

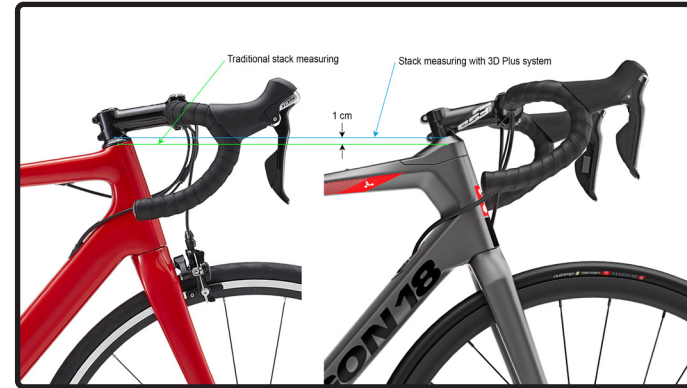
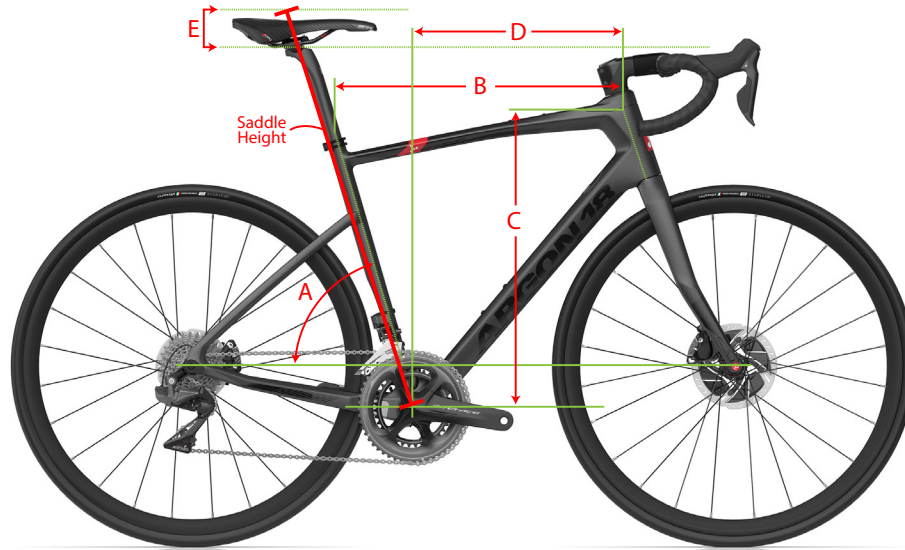
STEP 3: Stack Height

- Using the Sizing Chart's Stack and Reach columns (p.6), determine the required 3D system headset size (0mm, 15mm or 30mm) based on your recommended handlebar position.

STEP 4: Reach

- Each Krypton Pro / Krypton GF-IST frameset include a size specific stem:
- If the handlebar reach needs to be adjusted to achieve your required position, the other stem lengths are available separately. Refer to the Annex A. Stem Swap Kits instructions (p.35).

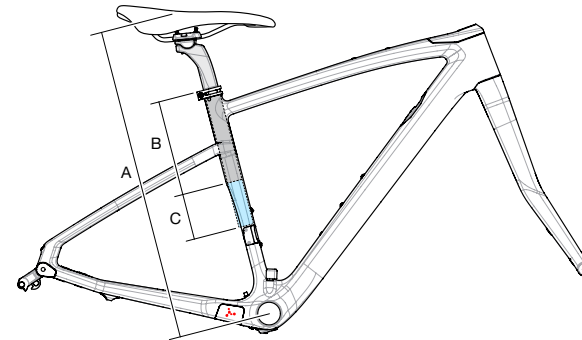
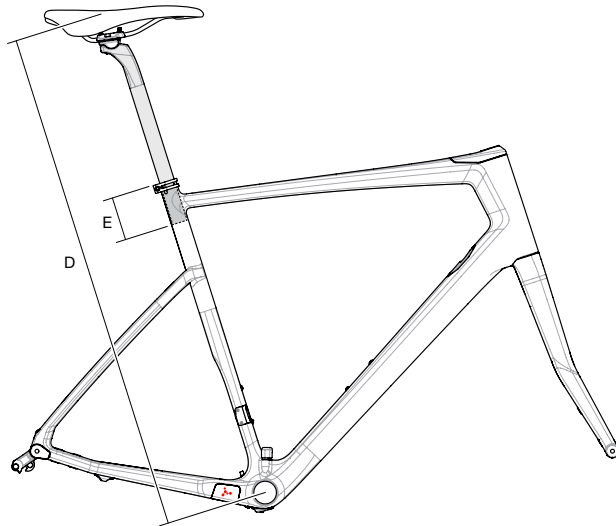
STEM SIZES	PROVIDED ON FRAMESET SIZES
70mm	XXS
80mm	XS
90mm	S
100mm	M
110mm	L and XL
120mm	N/A, only available separately



Sizing Chart: Krypton Pro / GF-IST		With 0 mm Headset				With 15 mm Headset		With 30 mm Headset		E*	
Saddle Height (cm)	Suggested Size	A Seat Tube Angle (°)	B Top Tube (cm)	C Stack (cm)	D Reach (cm)	C Stack (cm)	D Reach (cm)	C Stack (cm)	D Reach (cm)	Minimum Drop (cm)	Maximum Drop (cm)
61	XXS	75.5	49.6	51.9	35.9	53.3	35.3	54.7	34.8	4	-1.5
62	XXS	75.5	49.6	51.9	35.9	53.3	35.3	54.7	34.8	3	-2.5
63	XXS	75.5	49.6	51.9	35.9	53.3	35.3	54.7	34.8	2	-3.5
64	XXS/XS	75.5 / 74.9	49.6 / 51.6	51.9 / 53.9	35.9 / 36.9	53.3 / 55.3	35.3 / 36.4	54.7 / 56.7	34.8 / 35.9	1 / 3.5	-4.5 / -2.5
65	XXS/XS	75.5 / 74.9	49.6 / 51.6	51.9 / 53.9	35.9 / 36.9	53.3 / 55.3	35.3 / 36.4	54.7 / 56.7	34.8 / 35.9	0 / 2.5	-5.5 / -3.5
66	XS	74.9	51.6	53.9	36.9	55.3	36.4	56.7	35.9	1.5	-4.5
67	XS	74.9	51.6	53.9	36.9	55.3	36.4	56.7	35.9	0.5	-5.5
68	XS/S	74.9 / 74.3	51.6 / 53.7	53.9 / 55.9	36.9 / 37.9	55.3 / 57.3	36.4 / 37.4	56.7 / 58.8	35.9 / 37.0	-0.5 / 2	-6.5 / -4
69	XS/S	74.9 / 74.3	51.6 / 53.7	53.9 / 55.9	36.9 / 37.9	55.3 / 57.3	36.4 / 37.4	56.7 / 58.8	35.9 / 37.0	-1.5 / 1	-7.5 / -5
70	S	74.3	53.7	55.9	37.9	57.3	37.4	58.8	37.0	0	-6
71	S	74.3	53.7	55.9	37.9	57.3	37.4	58.8	37.0	-1	-7
72	S/M	74.3 / 73.7	53.7 / 55.8	55.9 / 58.0	37.9 / 38.8	57.3 / 59.4	37.4 / 38.3	58.8 / 60.8	37.0 / 37.9	-2 / 0.5	-8 / -5
73	S/M	74.3 / 73.7	53.7 / 55.8	55.9 / 58.0	37.9 / 38.8	57.3 / 59.4	37.4 / 38.3	58.8 / 60.8	37.0 / 37.9	-3 / -0.5	-9 / -6
74	M	73.7	55.8	58.0	38.8	59.4	38.3	60.8	37.9	-1.5	-7
75	M	73.7	55.8	58.0	38.8	59.4	38.3	60.8	37.9	-2.5	-8
76	M	73.7	55.8	58.0	38.8	59.4	38.3	60.8	37.9	-3.5	-9
77	M/L	73.7 / 73.1	55.8 / 58.0	58.0 / 60.1	38.8 / 39.7	59.4 / 61.5	38.3 / 39.2	60.8 / 62.9	37.9 / 38.8	-4.5 / -2	-10 / -7.5
78	M/L	73.7 / 73.1	55.8 / 58.0	58.0 / 60.1	38.8 / 39.7	59.4 / 61.5	38.3 / 39.2	60.8 / 62.9	37.9 / 38.8	-5.5 / -3	-11 / -8.5
79	L	73.1	58.0	60.1	39.7	61.5	39.2	62.9	38.8	-4	-9.5
80	L	73.1	58.0	60.1	39.7	61.5	39.2	62.9	38.8	-4.5	-10.5
81	L/XL	73.1 / 72.5	58.0 / 60.4	60.1 / 62.4	39.7 / 40.7	61.5 / 63.9	39.2 / 40.2	62.9 / 65.3	38.8 / 39.8	-5.5 / -3	-11.5 / -8.5
82	L/XL	73.1 / 72.5	58.0 / 60.4	60.1 / 62.4	39.7 / 40.7	61.5 / 63.9	39.2 / 40.2	62.9 / 65.3	38.8 / 39.8	-6.5 / -4	-12.5 / -9.5
83	XL	72.5	60.4	62.4	40.7	63.9	40.2	65.3	39.8	-5	-10.5
84	XL	72.5	60.4	62.4	40.7	63.9	40.2	65.3	39.8	-6	-11.5
85	XL	72.5	60.4	62.4	40.7	63.9	40.2	65.3	39.8	-7	-12.5

Stack and Reach are measured on top of the headset cap.
 Subtract 1cm to stack value to compare to a traditional frame.
 Add 0,3cm to reach value to compare to a traditional frame.

*Drops are measured with size specific -6° stem



NOTE: THE ABOVE IMAGE IS FOR VISUAL REFERENCE OF SEATPOST INSERTION ONLY

Refer to the supplied table for details on Saddle Height and SeatPost insertion limits.

- i. The correct frame size must be determined according to the saddle height limits.
 - A. Minimum Saddle Height
 - D. Maximum Saddle Height
- ii. Depending on the size of the frame and the desired saddle height, the SeatPost might need to be cut.
 - B. Maximal insertion depth in the Frame's SeatTube.
 - C. Required SeatPost cut length to be able to adjust the Saddle Height at the Minimum position.
 - Adjust the SeatPost cut length in accordance with your desired Saddle Height.

Required minimum SeatPost Cut length = C - ("desired Saddle Height" - A)

- Example: - For a desired Saddle Height of 600mm on a XX-Small Krypton Pro/ GF-IST Frame

- The required minimum SeatPost Cut length is: 90 - (600-560) = 50mm

E. Minimal insertion depth in the Frame's SeatTube.

Saddle Height Limits		Krypton Pro / GF-IST			
Size	Saddle H Min	ST Max Insert	SP Cut	Saddle H Max	SP Min Insert
	mm	mm	mm	mm	mm
	A	B	C	D	E
XX-Small	560	170	90	740	80
X-Small	590	200	60	770	80
Small	625	235	25	805	80
Medium	660	260	0	840	80
Large	695	300	0	875	80
X-Large	730	315	0	910	80



Note: Validate the required Stack Height before proceeding with the cable routing.

- A total of 60mm of stack adjustment is possible.
- Using the Sizing Chart's Stack and Reach columns (p.6), determine the required 3D system headset size (0mm, 15mm or 30mm) based on your recommended handlebar position.
- 30mm of profiled spacers are provided to fine-tune your position:

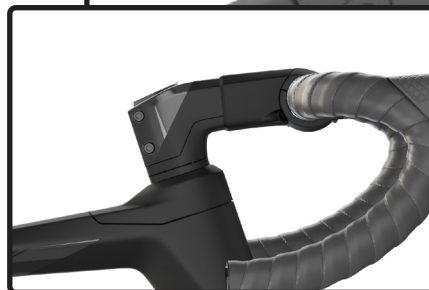
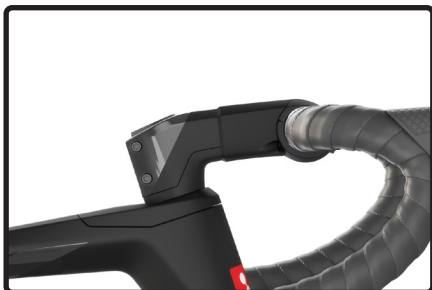
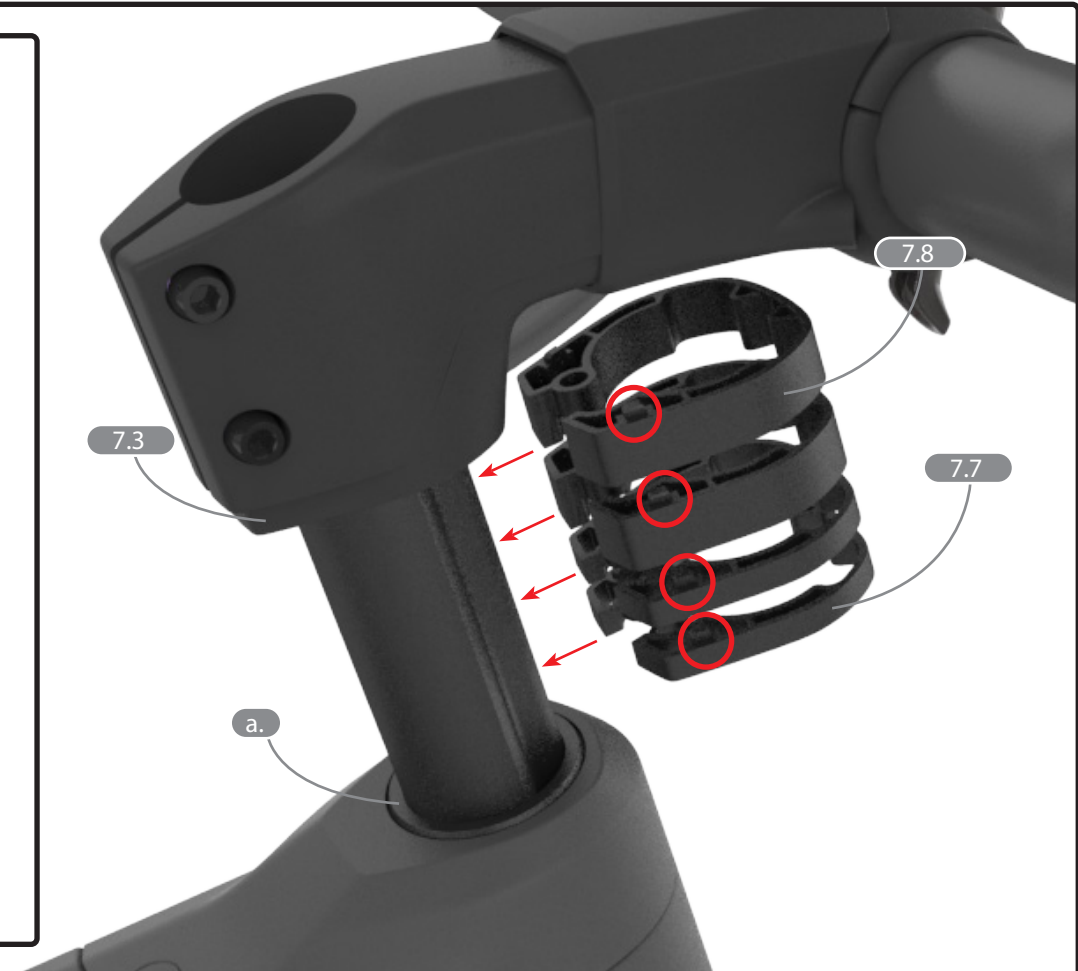
(2x) Spacer 5mm (7.7)

(2x) Spacer 10mm (7.8)

1. Spacers must be installed with the **tabs facing upward**. This feature ensure proper alignment with the stem and between each spacer.

2. Open and slide-on the required spacers over the front side of the steerer. Integrated tabs also guide the spacers on the steerer tube's front rib.

3. Twist-lock each spacer over the steerer tube and stack them up between the headset Stack Compressor (a.) and the Stem's 1st Spacer (7.3).





The Krypton Pro / Krypton GF-IST comes with two different Stem Caps:

1. Integrated version for a slick integration:

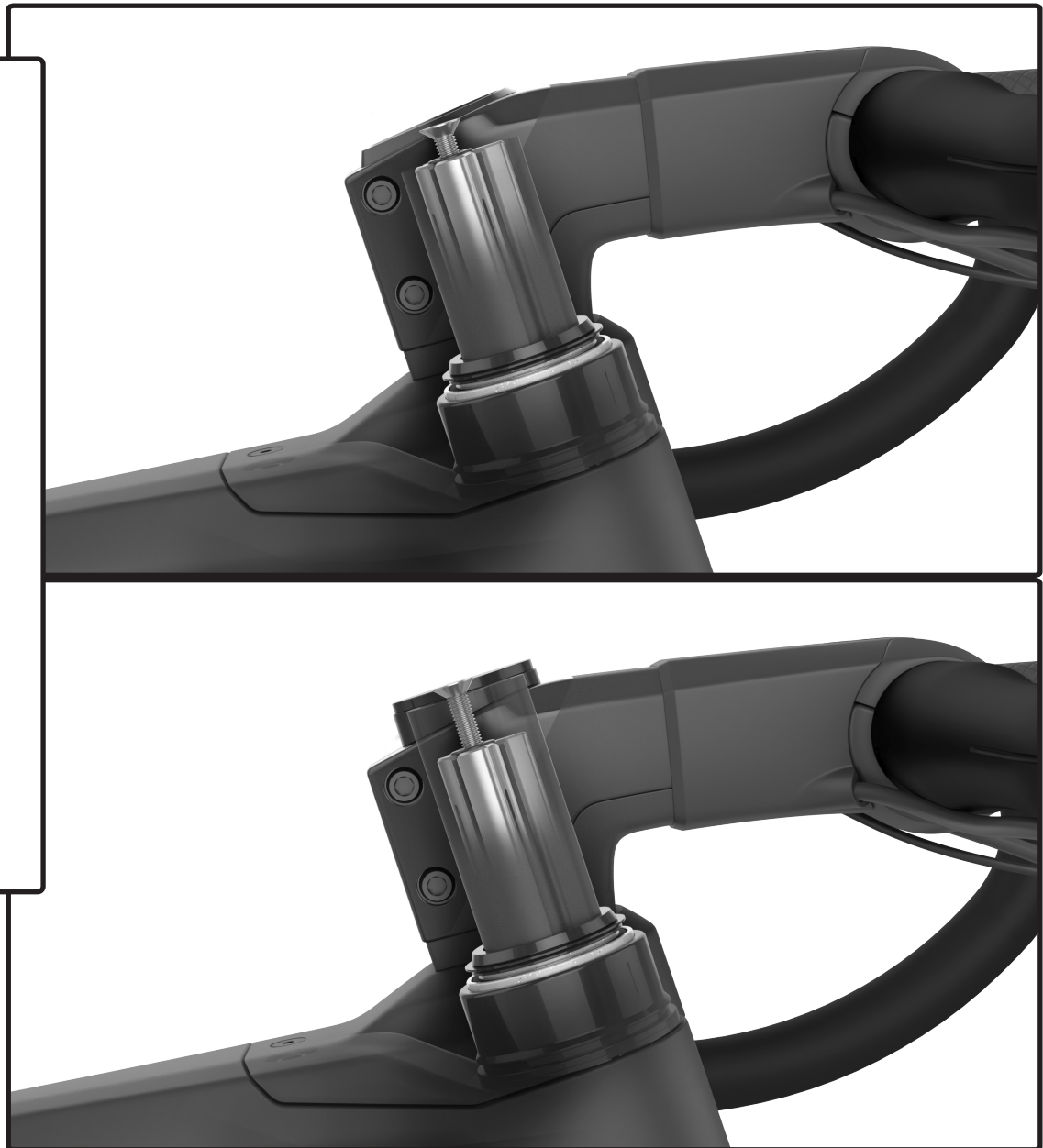
- Profiled Top Compression Cap (7.5)
- Flat Head Screw M5x25mm (7.6)

2. Flat version for over-stack spacers to keep an extra length of fork steerer tube until your fit is confirmed.

- Flat eccentric compressor cap* (a.)
- Flat Head Screw M5x50mm* (b.)
- Eccentric Top Spacer (7.9)

**parts of the Argon18 HeadSet No.30/Kit2 (4.4)*

IMPORTANT: In all configuration, it is critical to assemble the headset expander plug (b.) at the same height as the Stem's steerer clamp.





To assemble the Krypton Pro / Krypton GF-IST Stem with the Integrated Top Compression Cap (7.5), the fork's steerer tube must be cut-to-size.

1. Confirm your desired stack height and stem height position.
Measure twice, cut once!
2. Mark the top-back-end of the stem's carbon body (7.1).
3. Mark the cut line 3-4mm lower than the stem's top-back-end mark.
4. Cut the fork's steerer tube using a standard steerer tube cutting jig and a carbon-specific blade.
5. File down the cut end of the steerer to make sure it is free of burr.

HEALTH & SAFETY WARNING

The carbon fibers can easily become a fine dust during cutting or mechanical finishing and can then be released into the surrounding atmosphere. These micro fibers if uncontrolled have a potential to stick into human skin or the mucous membranes causing irritation.

Wear respiratory protection, gloves, eye protection and keep skin covered.

You should also work in a well-ventilated space away from electrical equipment. Carbon fiber is conductive; if airborne carbon fiber dust or off-cuts penetrate into electrical switches or equipment, short circuits or electric shock may occur.

When cutting carbon fiber composite, minimise dust or particulate generation by:

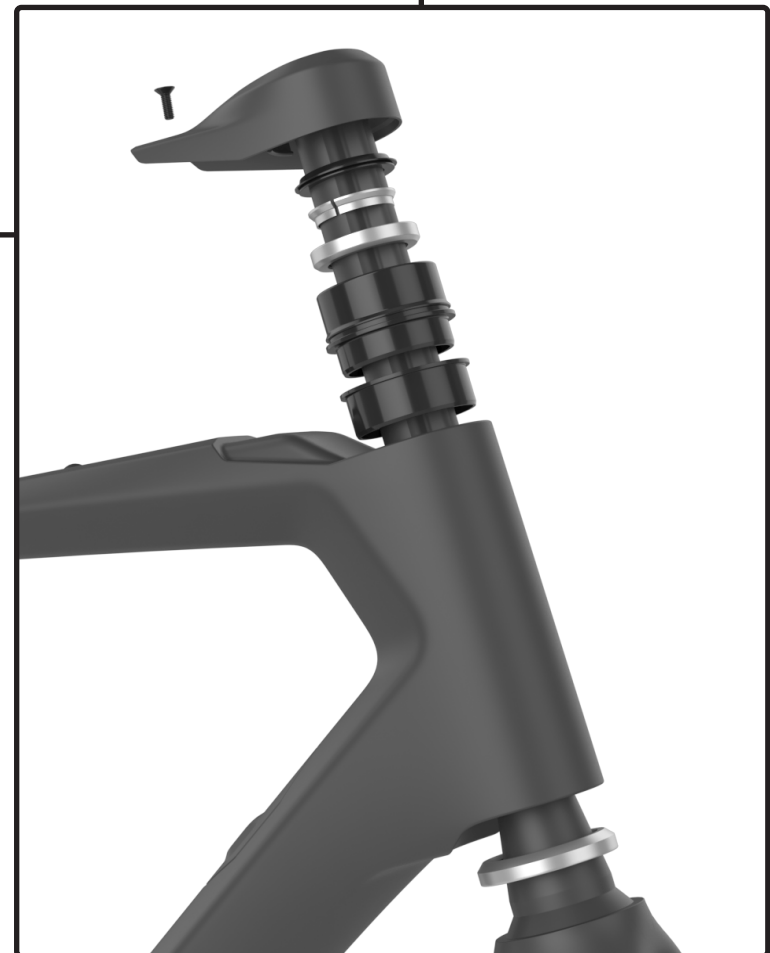
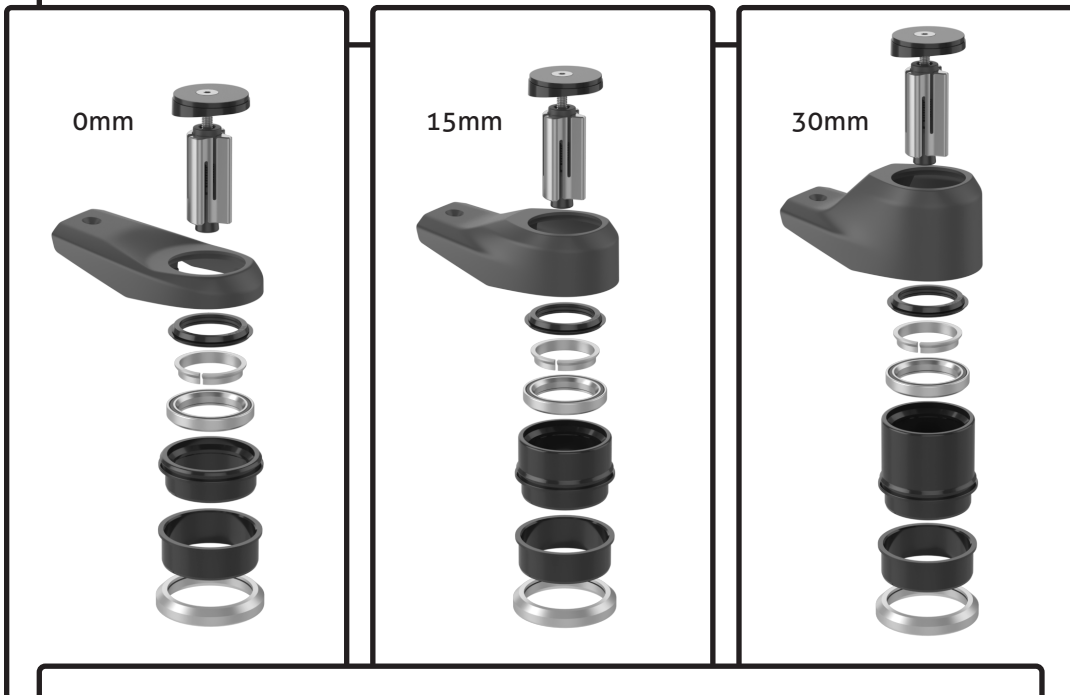
- wet processing of the material;
- using non-powered hand tool.



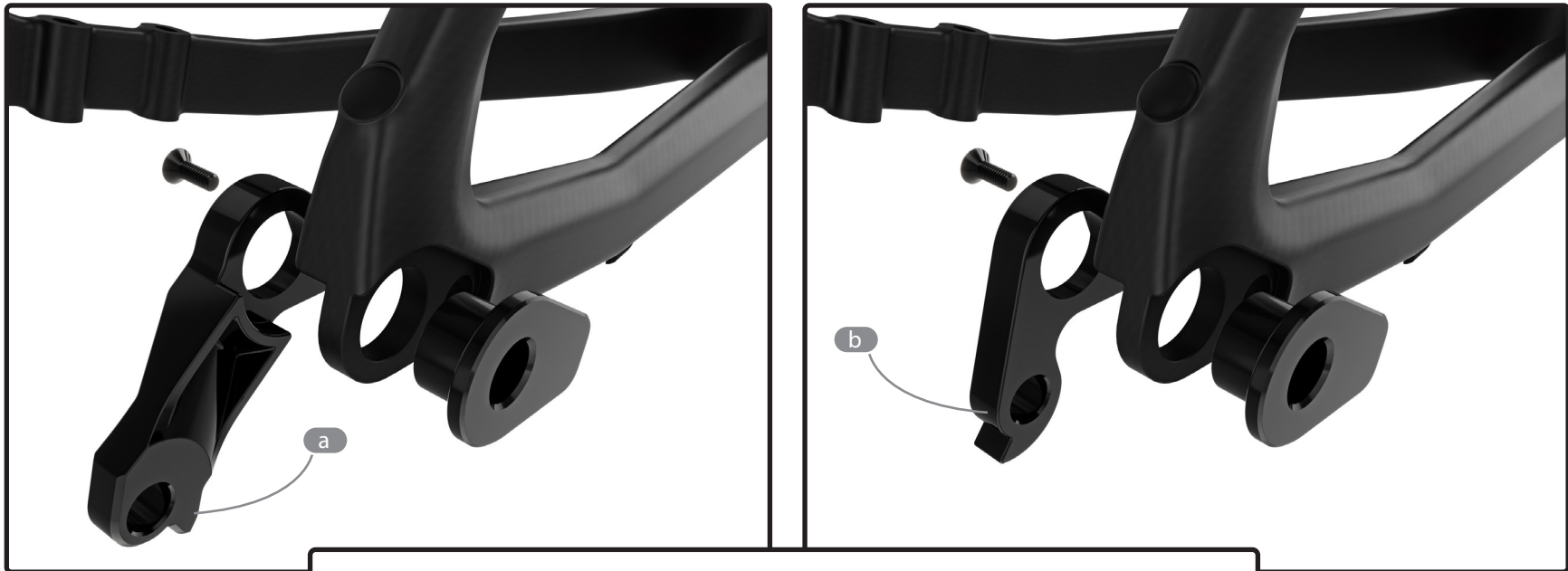


Steps of assembly

1. Insert the headset plastic sleeve into the top on the headtube. (apply grease)
2. Insert the required headset column, 0, 15 or 30mm, in the headset plastic sleeve. (apply grease)
- *** After Step 2., complete the frame cable routing before continuing with Step 3. Refer to section 6. or 7. ***
3. Insert bottom bearing on the fork.
4. Slide the fork in the head tube of the frame.
5. Install top bearing in the headset column. (apply grease)
6. Install conical compressor ring.
7. Install stack compressor.
8. Apply grease on the headset seal to avoid any noise.
9. Install the corresponding headset cap to complete the assembly.
10. Fix the cap with the M4 flat head screw.



Like on almost all Argon 18 bikes you will benefit of the 3D system, on the Krypton Pro / GF-IST you can benefit of 3 positions: 0mm, 15mm and 30mm.



1. Select the correct rear derailleur hanger depending on the type of derailleur that you have.
 - a. Direct mount
 - b. Regular mount
 2. Make sure to align the rear derailleur hanger.
 3. Use Derailleur Hanger Alignment Gauge like Park Tool Item #DAG-2.
- For any assistance, visit Park Tool's website:
www.parktool.com/product/derailleur-hanger-alignment-gauge-dag-2



Rear derailleur cable and rear brake housing must be routed above the BB carbon sleeve.

Red line: brake cable/housing / Yellow line: derailleur cable/housing



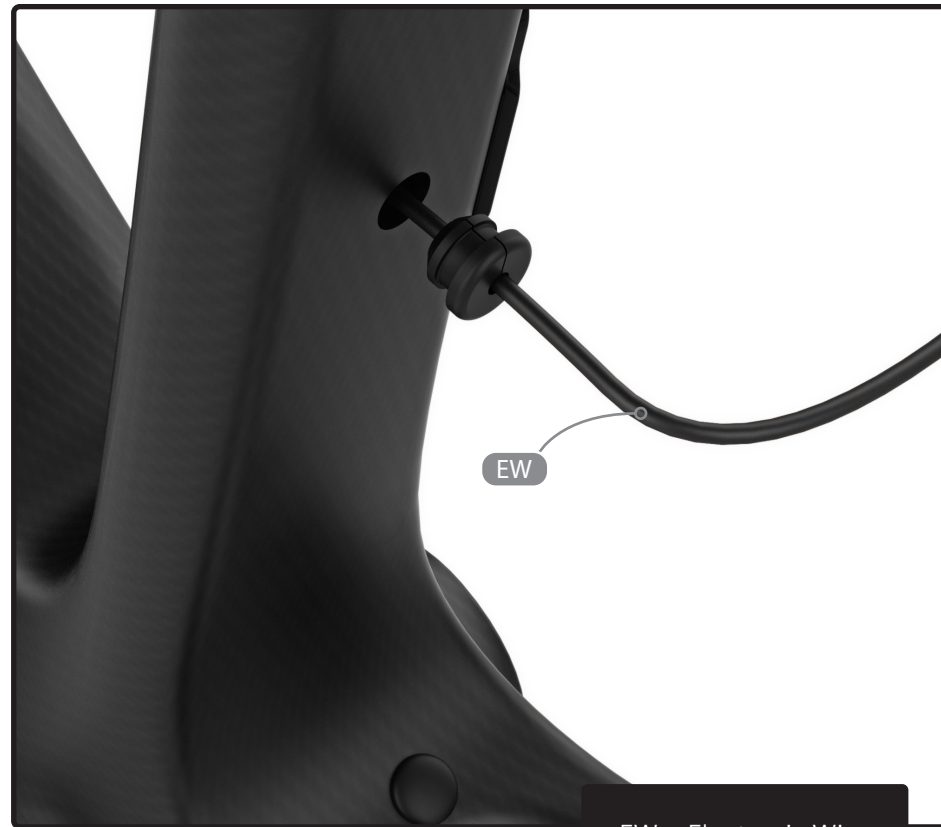
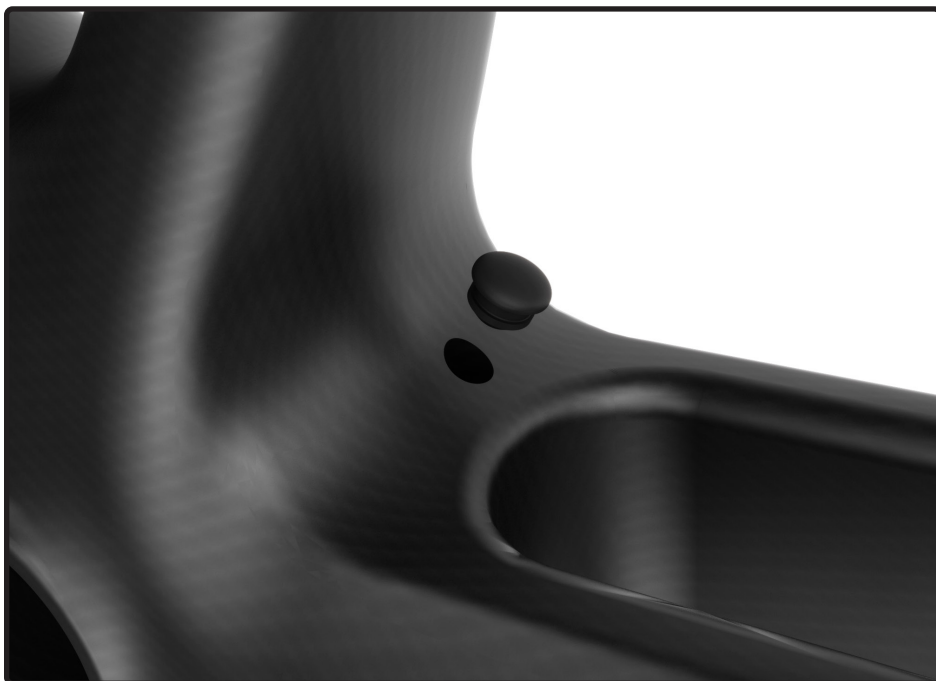
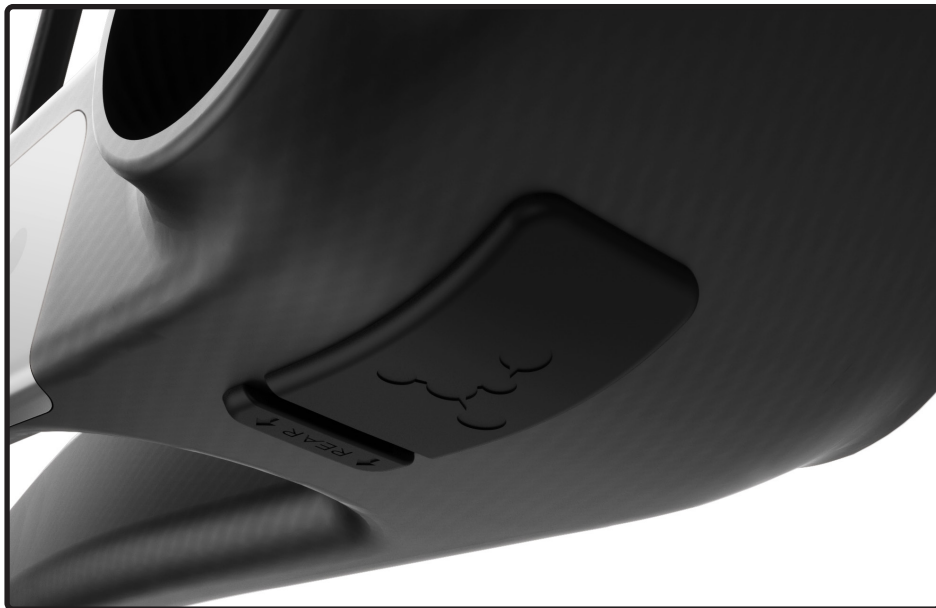
Depending of the type of assembly, you will have to select the correct parts.

Tip: No matter the type of assembly you will choose, always pass the brake housing first starting from the back of the bike to the front.

1. With the rear brake housing coming from the back of the bike, guide the end of the housing through the top of the head tube opening.
2. Use the brake housing to insert the foam liner into the downtube.
3. Guide the Di2 cable coming from the shifters through the top of the head tube and out of the rectangular opening of the console.
4. Guide the Di2 cable coming from the derailleurs into the downtube and out of the rectangular opening of the console.
5. Place the Di2 O-Ring around the Shimano EW-RS910 junction box.
6. Connect the shifters and derailleurs Di2 cables to the Shimano EW-RS910 junction box.
7. Clip the Shimano EW-RS910 junction box on the console cap.
8. Fix the console cap to the downtube of the frame with the screws.

For Wireless groupset, simply fix the Wireless Console Cover to the downtube of the frame with the screws.





EW = Electronic Wire

Use the square hole to connect all the wires to the junction box.
Insert the junction box in the hole.
Insert the BB cover in the square hole until it clicks.



BR = Brake Hose
EW = Electronic Wire



Exit the hydraulic brake hose through the hole on the chain stay.



Rear derailleur cable and rear brake housing must be routed on the right side in the inside of the downtube.

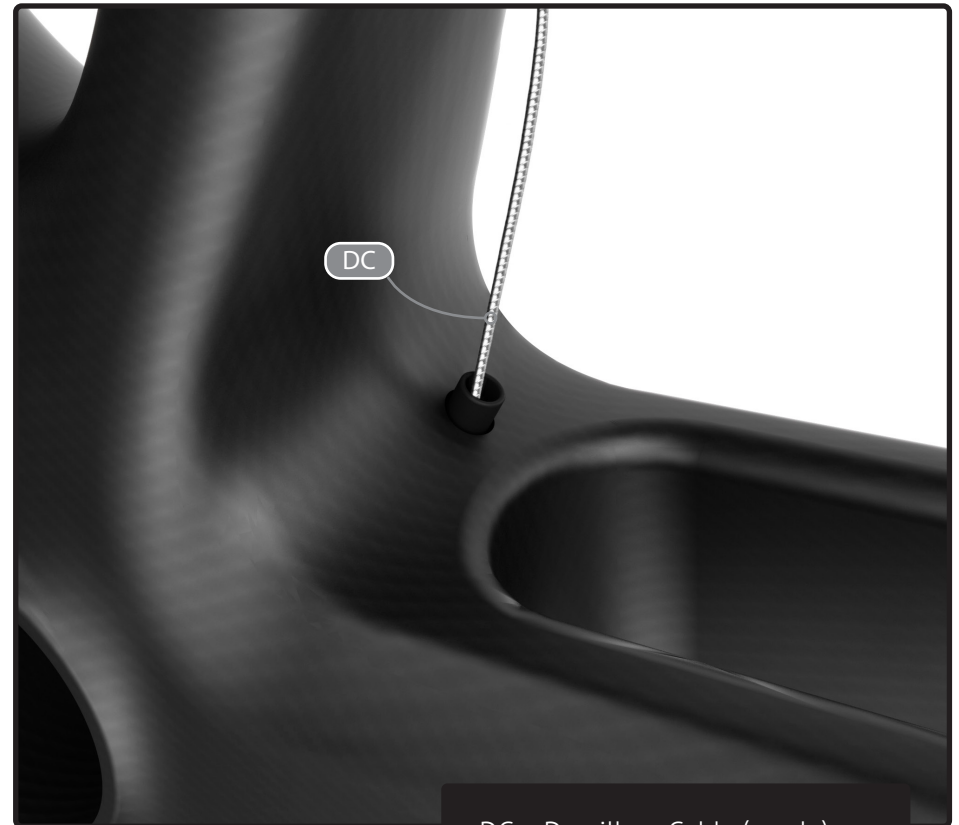
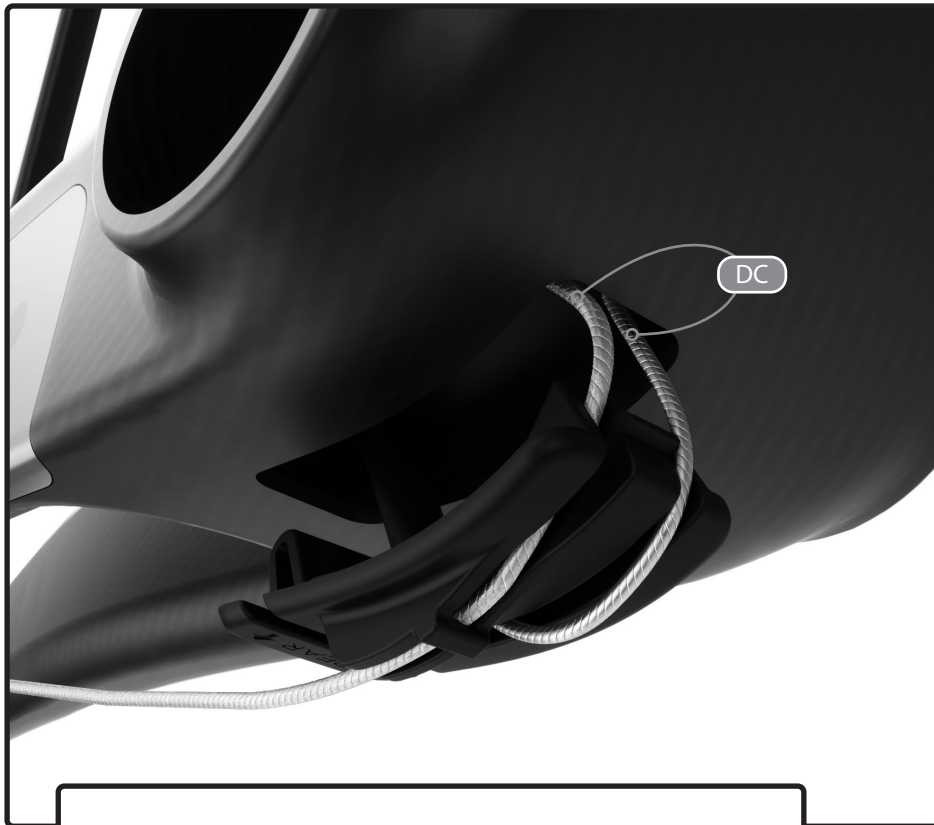
Rear brake housing need to routed above the bb carbon sleeve.



The Krypton Pro / Krypton GF-IST is optimized for electronic shifting groupsets.

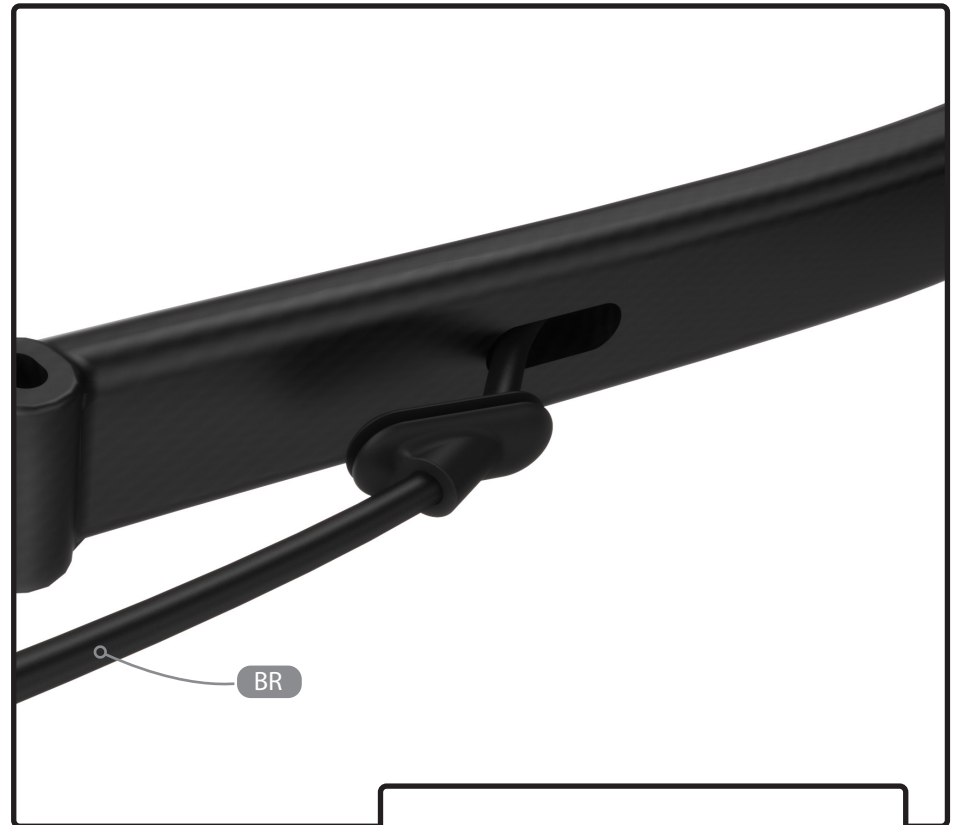
The frame is also compatible with mechanical groupsets through our modular console.





Exit derailleur cables through bottom bracket (BB) hole.
Insert in the appropriate slots in the BB guide.
Making sure the pipe is aligned with the top hole,
insert BB guide in the square hole until it clicks.

DC = Derailleur Cable (mech.)



BR = Brake Hose
DC = Derailleur Cable (mech.)
DH = Derailleur Housing (mech.)

Exit the hydraulic brake hose through the hole on the chain stay.

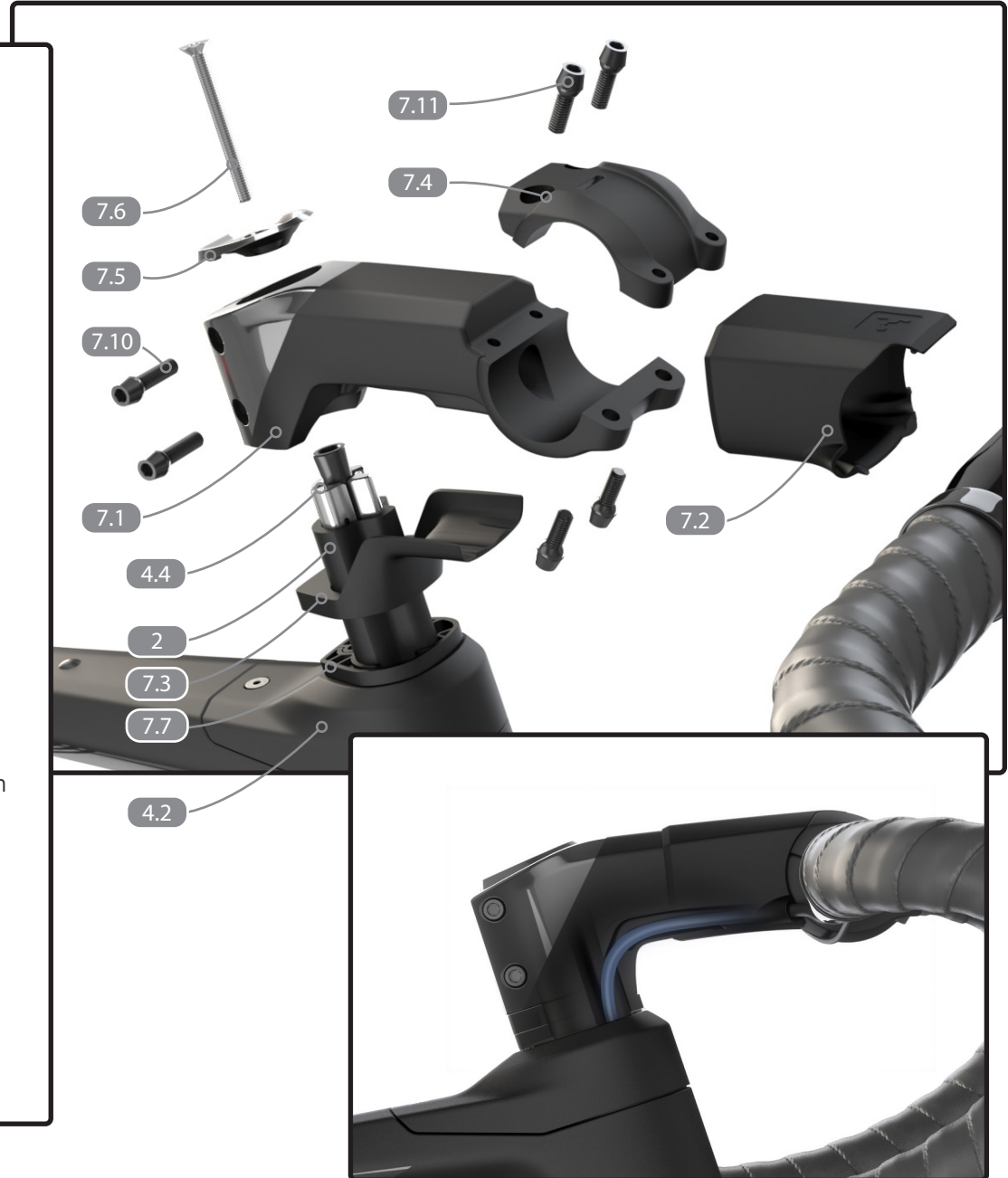


The Krypton Pro / Krypton GF-IST has a fully integrated cockpit system (IST) that consist of the following parts:

- Fork with proprietary steerer (2)
- 3D+ system Headset w/ specific expander (4.4)
- HT Top cap, in 3 sizes: 0mm (4.1), 15mm (4.2), 30mm (4.3)
- Spacers: 2x 5mm (7.7) + 2x 10mm (7.8)
- Stem 1st Spacer (7.3)
- Stem Carbon Body (7.1)
- Stem Cable/Hoses Hood (7.2)
- Stem Bar Clamp (7.4)
- Steerer Compression Cap (7.5)
- Flat Head Screw M5x25mm (7.6)
- Stem's Steerer clamp screws, 2x Socket Head M5x20mm w/ captive spherical washer (7.10)
- Stem's Handlebar clamp screws, 4x Socket Head M5x14mm w/ captive spherical washer (7.11)

Note: The IST system allows for 2cm of adjustment range in stack / reach without having to bleed the brakes, and accepts all standard handlebars of Ø31.8mm.

Stem lengths available:
70mm, 80mm, 90mm, 100mm, 110mm and 120mm.



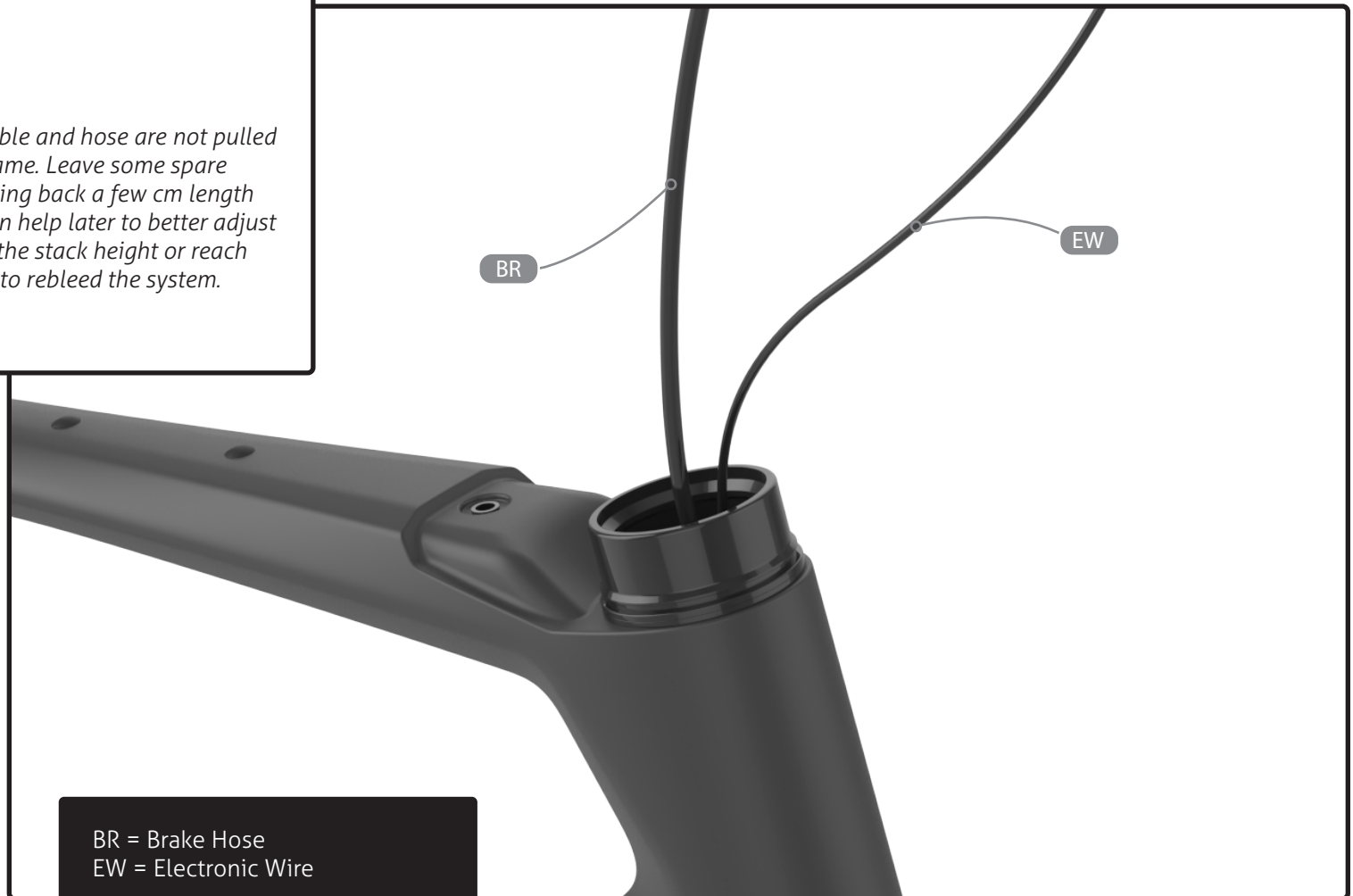


Stem Assembly - Step #1

After completion of the frame's internal cable routing (refer to section 6. or 7.), you will have two cable / hose coming out of the HT:

- Rear brake hydraulic housing (BR)
- Di2 cable (EW)

Note: Make sure the cable and hose are not pulled too much inside the frame. Leave some spare length by slightly pushing back a few cm length of cable / hose. This can help later to better adjust the fit when changing the stack height or reach length without having to rebleed the system.

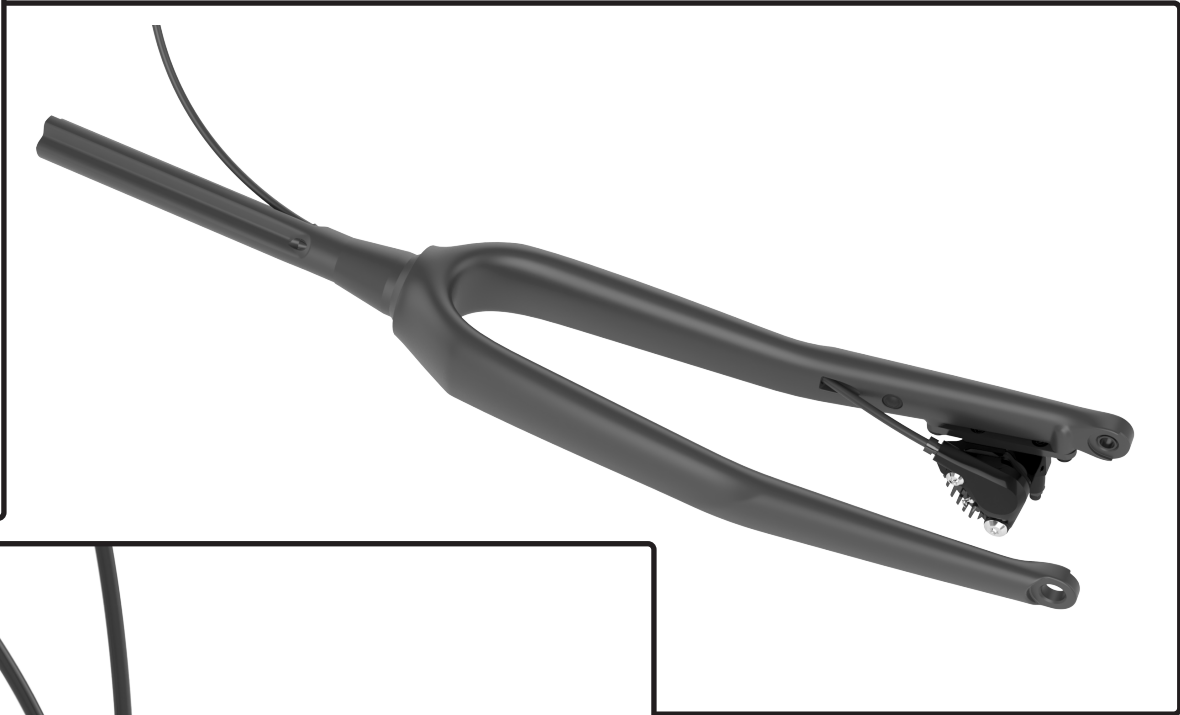


BR = Brake Hose
EW = Electronic Wire



Stem Assembly - Step #2

1. Prepare the fork by routing the front brake hose thru the inside of the left blade, out of the left-side hole in the steerer (use the right-side hole if you are assembling the front brake on the right-side lever).
2. Bolt on the front brake caliper to the fork.
3. Complete the Headset installation (see p.11), taking care to guide the brake hoses and Di2 cables into the steerer tube's grooves.

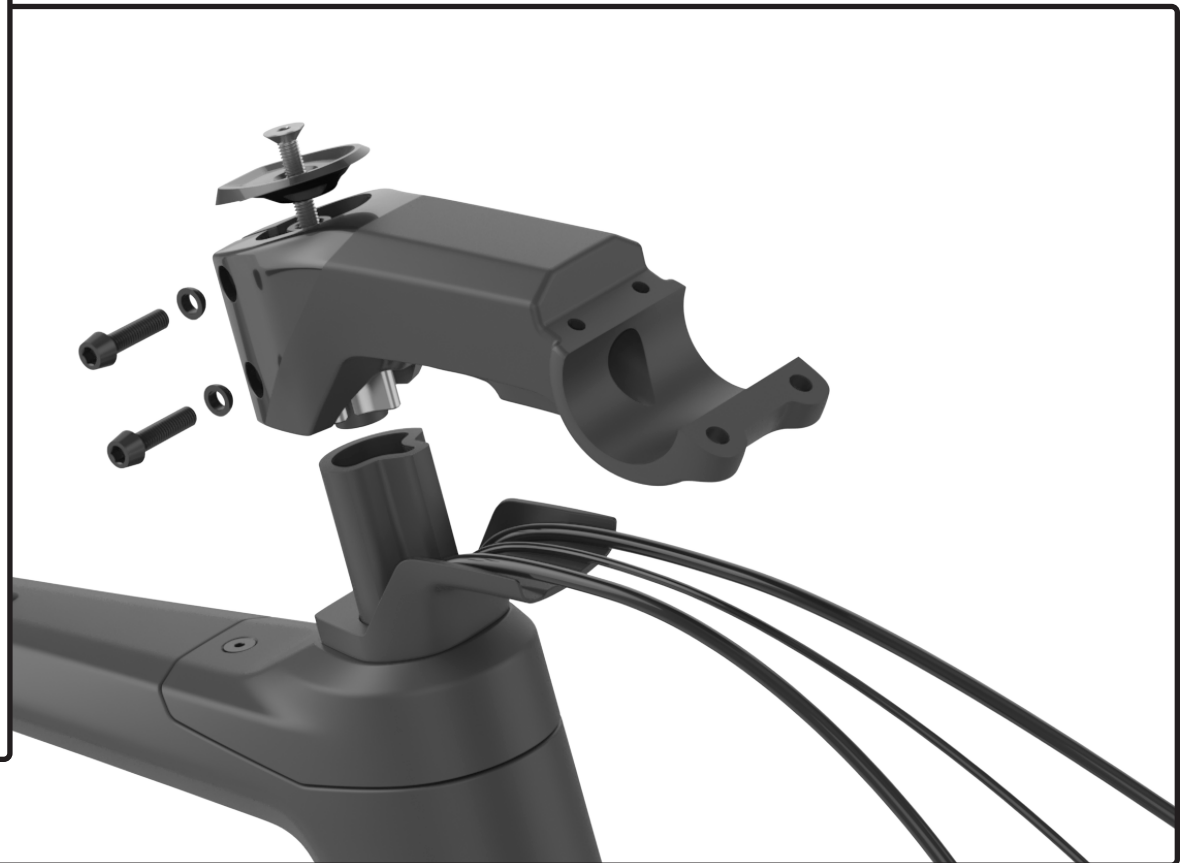




Stem Assembly - Step #3

1. Install spacers, if required (refer the Stack Height Adjustment instructions, p.8).
2. Thread the cable / hoses into the 1st Spacer and slide the 1st Spacer onto the steerer tube.
3. Install the Stem Carbon Body onto the steerer tube. Apply grease on the M5x20 screws (7.10) and slightly tighten just to hold the stem in place, 1 cm above the 1st spacer.
4. Install the HS expander plug into the steerer tube, putting carbon fiber assembly paste on the outside surface of the expander plug. **Torque at 10Nm.**
5. Install the chosen Top Cap (refer to p.9).
6. Carefully position the brake hoses on each side and the Di2 cable in the middle of the stem / 1st spacer recesses and slowly screw the Top Cap screw. **Torque at 3Nm.**
7. Align the Stem and tighten the M5x20 screws. **Torque at 5Nm.**

IMPORTANT: In all configuration, it is critical to assemble the headset expander plug (b.) at the same height as the Stem's steerer clamp.



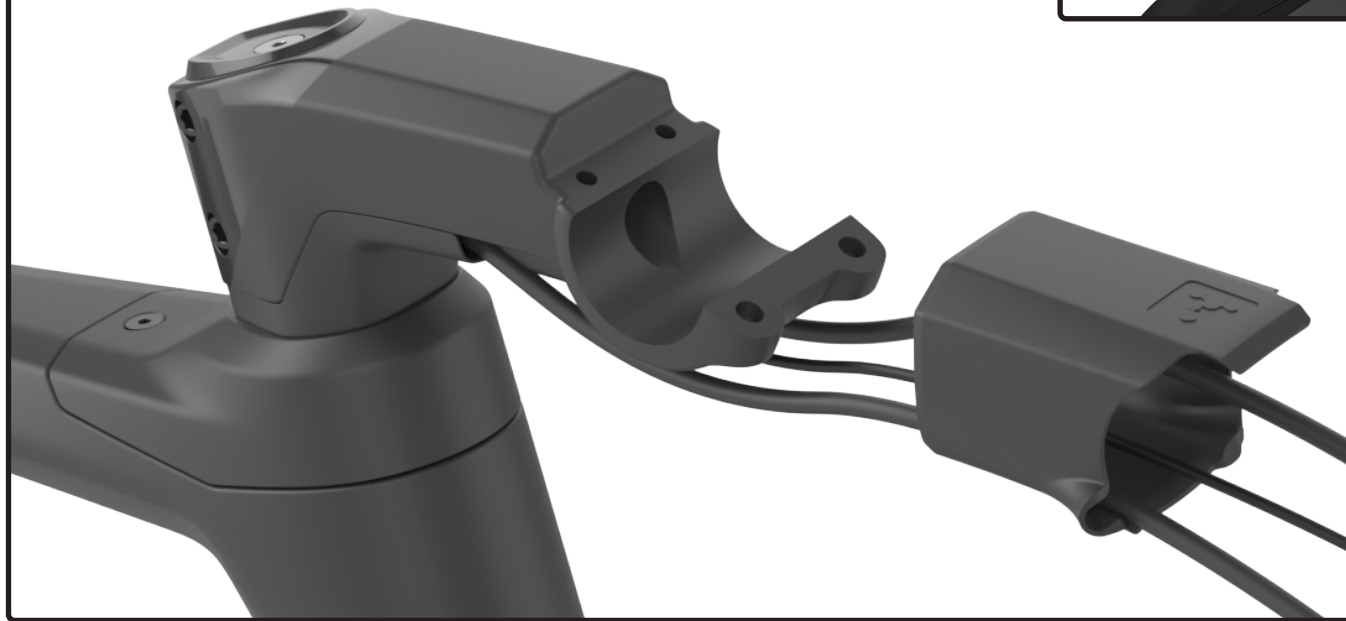
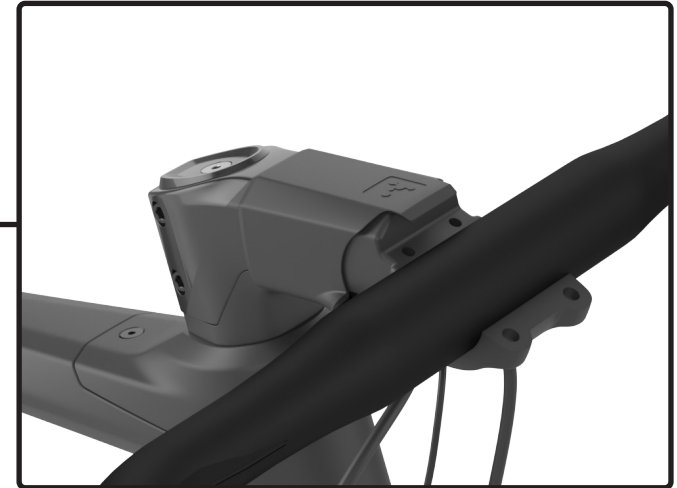


Stem Assembly - Step #4

1. Thread the cable / hoses into the Cables/ hoses Hood (7.2).

The Molecule must be placed at the top-front position.

2. Slide the Hood over the Stem's Carbon Body, enough to clear the handlebar and the bar clamp.

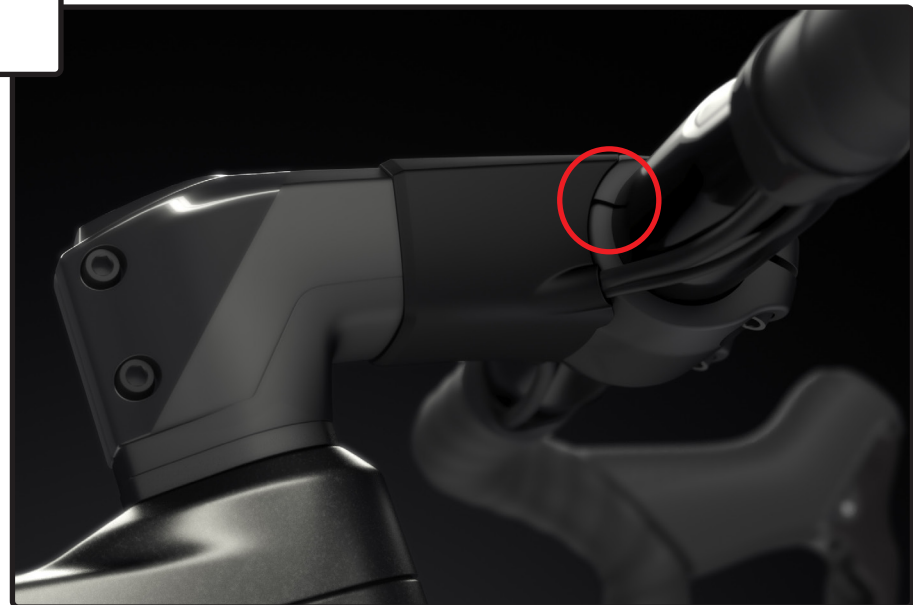
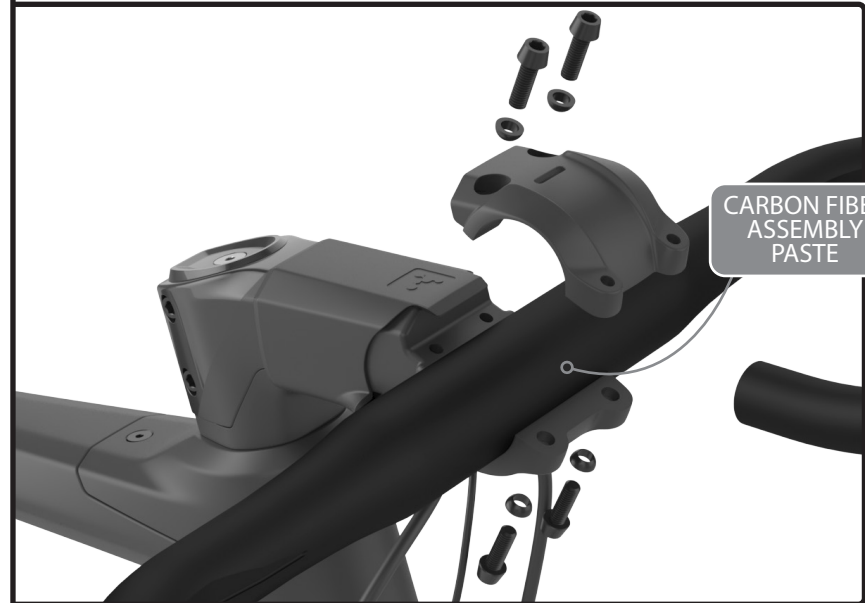




Stem Assembly - Step #5

1. Install the Bar Clamp (7.4) using the 4 M5x14mm Screws (7.11). Apply grease on the screw threads and only engage all screw threads.
2. First, tighten the top screws. **Torque at 5Nm.**
3. Second, tighten the bottom screws. **Torque at 5Nm.**
4. Pull back the Hood over the top screws and insert the Hood's tab into the Bar Clamp groove.

Note: *There must be no gap between the Bar Clamp and the Stem Carbon Body after torquing the Top Screws. The gap will be at the front (bottom screws).*





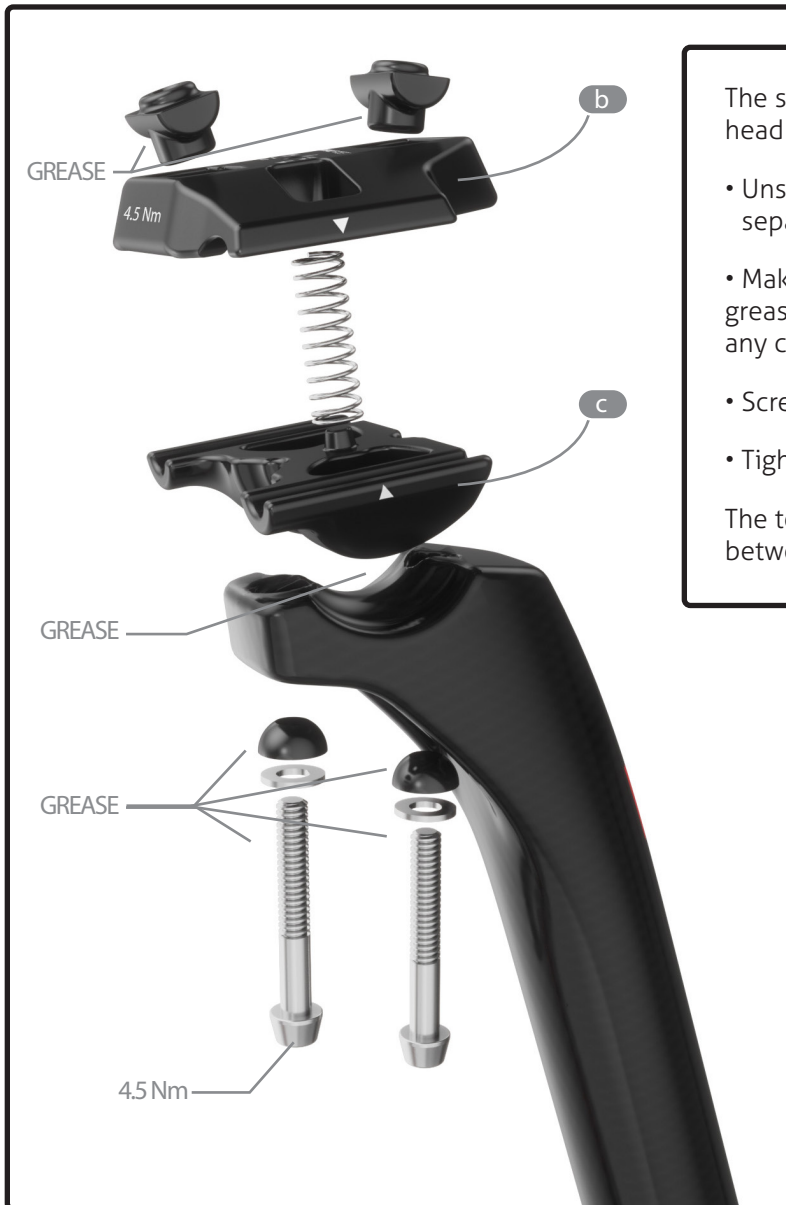
Stem Assembly - Step #6

Complete the cable / hoses routing into the handlebar and shifters according to the manufacturer's recommendations.





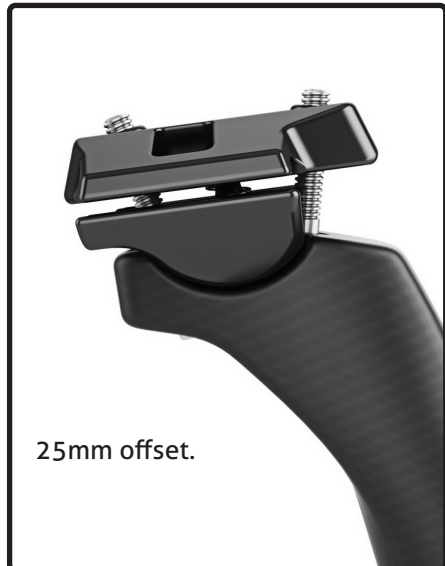
Assemble the seat post collar over the frame's seat tube. Apply carbon fiber assembly paste on the seat post where it inserts inside the frame. Grease the screw and tighten at 4 Nm.



The seat post is supplied fully assembled. It's equipped with a spring-loaded head for easy installation of the saddle.

- Unscrew both bolts slightly until the top clamp (b) and the cradle (c) are separated enough to insert the saddle rail. Do not unscrew the bolts completely.
- Make sure that the nuts, screws threads and dome washers contact surfaces are greased. It is recommended to grease the cradle contact surfaces as well to avoid any creaking noise.
- Screw both bolts in order to adjust the angle of the saddle and clamp the rail.
- Tighten the bolts at 4.5 Nm.

The top clamp (b) and the cradle (c) can be flipped to change the saddle offset between 25 or 15mm.

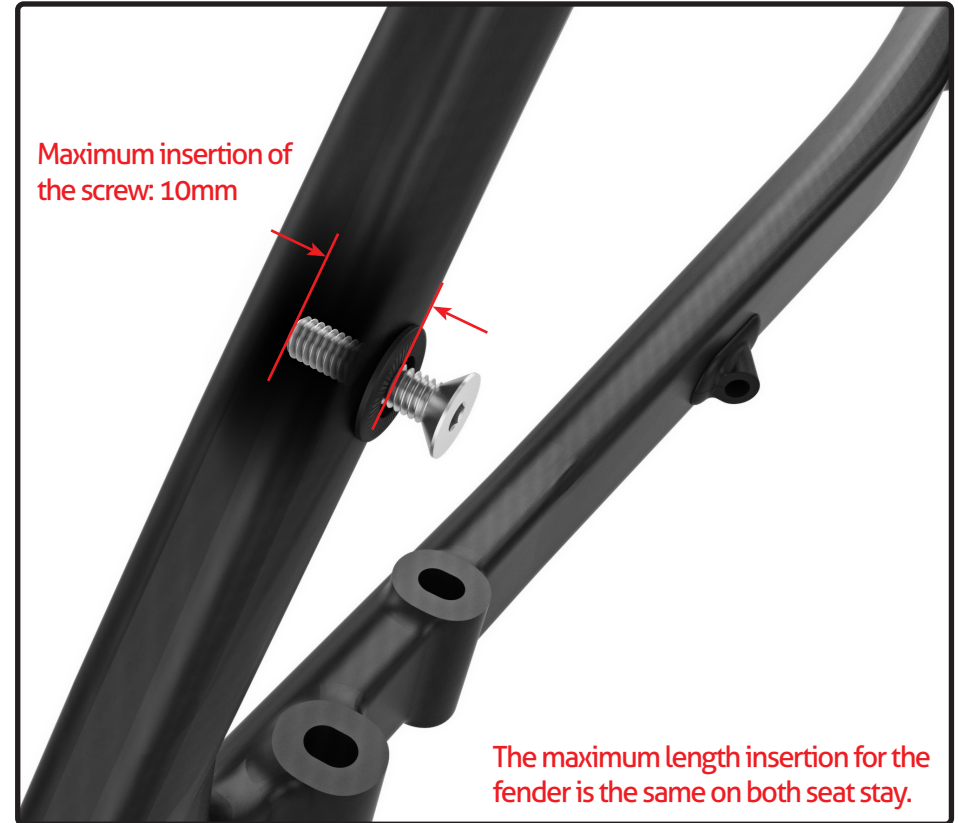




1. Select the corresponding chain catcher. The selection of the correct chain catcher is made in function of the size of the small chaining.

Small Chain Ring Size	Chain Catcher
34-36	Small
38-42	Large

2. Insert the screw in the chain catcher and place the lock washer between the frame and the piece. Secure the assembly loosely to be able to adjust the parts.
3. Place the tip of the chain catcher at approximately 2mm to the inner side of the small chain ring. And torque at 3Nm.



- i. According to the model of fender using place the bracket at the correct height on the seatstay.
- ii. Secure the fender bracket with the 2 attached rubber band making sure that the 2 plastic parts are well overlapping.
- iii. When securing the fender on your seatstay, make sure that the screw is not longer than 12mm.

Maximum insertion of the screw: 10mm

The maximum length insertion for the fender is the same on both seat stay.



SP.KRP.333A

SP.KRGF.334A

FK.KRP.XXS-XS.333A
FK.KRPS-XL.333A
FK.KRGF_I.XXS-XS.334A
FK.KRGF_I.S-XL.334A

80807

80803

333A: 81455
334A: 81475

333A: 81456
334A: 81476

333A: 81457
334A: 81477

80801

333A: 81458
334A: 81481

333A: 81459
334A: 81483

333A: 81460
334A: 81484

80802

81071

81063

81070

80800

80808

80813

80812

PRO

80806

80832

80804

80805

80551

80264

81053

81052

81054

GF-IST

81059

38446

80811

80548

80547

81088
81089
81090
81091
81092
81093

**KRYPTON PRO STEM
KRYPTON GF-IST STEM**

70mm: 81088
80mm: 81089
90mm: 81090
100mm: 81091
110mm: 81092
120mm: 81093

70-80mm: 81073
90-110mm: 81074
120mm: 81075

70-80mm: 81077
90-120mm: 81078

81076

81079

81080

81081

81082

81083

81085

81084



No.	Name	A18 SKU#	Qty
1	KRYPTON PRO FRAME -OR- KRYPTON GF FRAME	NOT AVAILABLE AS SPARE PART	1
1.0	KRYPTON PRO / KRYPTON GF CHAIN SUCK GUARD	81278	1
1.1	REAR DERAILLER HANGER (INCL. DROPOUT AND SCREW)	80802	1
1.2	REAR DERAILLER HANGER DIRECT MOUNT	80832	1
1.3	FLAT HEAD CAP SCREW M4 x 0.7 x 12 LG - For Console cover & HS caps	81087	4
1.4	REMOVABLE CABLE STOPPER (INCL. 2x M3X10mm SCREWS)	80803	1
1.5	LONG PLUG	80804	2
1.6	LONG GROMMET Di2	80805	2
1.7	CHAIN CATCHER (INCL. SMALL / LARGE, WASHER AND SCREW)	80806	1 kit
1.8	WATER BOTTLE SCREW - M5 x 18mm	80807	4
1.9	BB CABLE GUIDE - MECHANICAL	80547	1
1.10	BB COVER - ELECTRONIC	80548	1
1.11	OBLONG HYDRAULIC BRAKE HOUSING GROMMET	80551	1
1.12	PLASTIC PLUG M5	80264	8
1.13	FENDER BRACKET	80808	1
2	KRYPTON PRO FORK -OR- KRYPTON GF-IST FORK	FK.KRP.XXS-XS.333A FK.KRP.S-XL.333A FK.KRGF_I.XXS-XS.334A FK.KRGF_I.S-XL.334A	1
3	KRYPTON PRO SEATPOST -OR- KRYPTON GF SEATPOST	SP.KRP.333A -OR- SP.KRGF.334A	1
3.1	SEATPOST BATTERY HOLDER	38446	1
4.1	KRYPTON PRO HEADSET CAP – 0mm, 333A KRYPTON GF-IST HEADSET CAP – 0mm, 334A	81455 81475	1
4.2	KRYPTON PRO HEADSET CAP – 15mm, 333A KRYPTON GF-IST HEADSET CAP – 15mm, 334A	81456 81476	1
4.3	KRYPTON PRO HEADSET CAP – 30mm, 333A KRYPTON GF-IST HEADSET CAP – 30mm, 334A	81457 81477	1
4.4	Argon18 HS No.30/Kit2	81059	1

*Except for the frame itself, which is not sold as a spare part, all parts can be ordered by referring to their respective SKU number.



No.	Name	A18 SKU#	Qty
5.1	KRYPTON PRO CONSOLE COVER MECH, 333A	81458	1
	KRYPTON GF-IST CONSOLE COVER MECH, 334A	81481	
5.2	KRYPTON PRO CONSOLE COVER WIRELESS, 333A	81459	1
	KRYPTON GF-IST CONSOLE COVER WIRELESS, 334A	81483	
5.3	KRYPTON PRO CONSOLE COVER Di2, 333A	81460	1
	KRYPTON GF-IST CONSOLE COVER Di2, 334A	81484	
5.4	CONSOLE RING Di2	80800	1
5.5	IST MECHANICAL INSERT FOR CONSOLE	81063	1
5.6	IST 1x INSERT FOR CONSOLE	81070	1
5.7	IST EXTERNAL Di2 INSERT FOR CONSOLE	81071	1
6	SEATPOST COLLAR	80801	1
7.1	Stem 70mm Krypton Pro / GF-IST (carbon body only)	81088	1
	Stem 80mm Krypton Pro / GF-IST (carbon body only)	81089	
	Stem 90mm Krypton Pro / GF-IST (carbon body only)	81090	
	Stem 100mm Krypton Pro / GF-IST (carbon body only)	81091	
	Stem 110mm Krypton Pro / GF-IST (carbon body only)	81092	
	Stem 120mm Krypton Pro / GF-IST (carbon body only)	81093	
7.2	Cables/hoses Hood for Stem 70-80mm	81073	1
	Cables/hoses Hood for Stem 90-100-110mm	81074	
	Cables/hoses Hood for Stem 120mm	81075	
7.3	1st Spacer (Stem base 70 to 80mm)	81077	1
	1st Spacer (Stem base 90 to 120mm)	81078	
7.4	Bar Clamp	81076	1
7.5	Compression Cap	81079	1
7.6	FLAT HEAD SOCKET SCREW M5x0.8P x 25mm	81080	1
7.7	Spacer 5mm	81081	2
7.8	Spacer 10mm	81082	2
7.9	Eccentric top spacer IST Stem	81083	1
7.10	Socket Head BOLT M5x20 LG W/ CONICAL HEAD, (incl. Captive washer)	81084	2
7.11	Socket Head BOLT M5x14 LG W/ CONICAL HEAD, (incl. Captive washer)	81085	4
8	KRYPTON PRO - REAR THRU AXLE WITH REMOVABLE HANDLE	80813	1
9	KRYPTON PRO - FRONT THRU AXLE	80812	1
10	KRYPTON GF - REAR THRU AXLE	81053	1
11	KRYPTON GF - FRONT THRU AXLE	81052	1
12	KRYPTON GF - THRU AXLE LEVER	81054	1
13	FOAM LINER	80811	1



No.	Name	Part list	A18 SKU#	Qty	Image Ref.
1.	SWAP KIT FOR STEM LENGTH 70MM	(1x) Stem 70mm Krypton Pro / GF-IST (carbon body only) (1x) Cables/hoses Hood for Stem 70-80mm (1x) 1st Spacer (Stem base 70 to 80mm)	81064	1 kit	
2.	SWAP KIT FOR STEM LENGTH 80MM	(1x) Stem 80mm Krypton Pro / GF-IST (carbon body only) (1x) Cables/hoses Hood for Stem 70-80mm (1x) 1st Spacer (Stem base 70 to 80mm)	81065	1 kit	
3.	SWAP KIT FOR STEM LENGTH 90MM	(1x) Stem 90mm Krypton Pro / GF-IST (carbon body only) (1x) Cables/hoses Hood for Stem 90-100-110mm (1x) 1st Spacer (Stem base 90 to 120mm)	81066	1 kit	
4.	SWAP KIT FOR STEM LENGTH 100MM	(1x) Stem 100mm Krypton Pro / GF-IST (carbon body only) (1x) Cables/hoses Hood for Stem 90-100-110mm (1x) 1st Spacer (Stem base 90 to 120mm)	81067	1 kit	
5.	SWAP KIT FOR STEM LENGTH 110MM	(1x) Stem 110mm Krypton Pro / GF-IST (carbon body only) (1x) Cables/hoses Hood for Stem 90-100-110mm (1x) 1st Spacer (Stem base 90 to 120mm)	81068	1 kit	
6.	SWAP KIT FOR STEM LENGTH 120MM	(1x) Stem 120mm Krypton Pro / GF-IST (carbon body only) (1x) Cables/hoses Hood for Stem 120mm (1x) 1st Spacer (Stem base 90 to 120mm)	81069	1 kit	



Integrated cables can sometimes present a challenge when packing a bike for travel, but this is not the case with the Krypton Pro / GF-IST. The entire cockpit can be removed as one piece and attached to the frame within a box or bike bag, in the same way as a regular cockpit and cables.

Tips: in some bike box, it is better to turn the fork 180°. To obtain more loose brake housing length, the spacers can be removed and the brake calipers unmounted. The stem can also be removed if needed.

1. Install brake caliper pads for transportation
2. Install a rear axle (depending on the bike box, to protect the rear drop-out)
3. Unscrew the stem's Top Cap and the two Stem's steerer clamp screws
4. Roll up the cable hood and remove the Stem from the steerer
5. Protect the frame and attach the handlebar to the frame's top tube
6. Install the bike in the bike box, according to the manufacturer's instructions.

Re-assembly steps:

1. Put back the spacers and HS assembly
2. Tighten all stem screw and torque at 5Nm
3. Enjoy the ride!