





1. Tools Needed and First Aid Kit.....	3
2. Sizing Chart.....	4
3. Seat Post Collar Assembly.....	5
4. Seat Post Assembly.....	6
5. Frameset Inspection.....	8
6. Rear Derailleur Hanger Adjustment.....	9
7. Front Derailleur Hanger Installation.....	10
8. Cables Housing Installation.....	11
9. Rear Brake Cable Housing.....	12
10. Derailleurs Cables Housings.....	13
11. Frameset Parts Checklist.....	15
12. Trouble-shooting / Tips.....	18

My Radon

Date of purchase: _____

Retailer: _____

Size: _____

Serial Number: _____

For the warranty to be valid, the bicycle must be fully assembled by an authorized Argon 18 dealer. High-end components, particularly carbon parts, need extra care when assembled. These components must be installed using a calibrated torque wrench to make sure every bolt is at the right torque setting to prevent damage.



Tools needed for assembly

- 1: Bearing Cup Press (Park Tool HHP-2)
- 2: Allen Key Set
- 3: Grease
- 4: Utility Pick Set (Park Tool Item #UP-SET)
- 5: Clean Rags
- 6: Derailleur Hanger Alignment Gauge (Park Tool Item #DAG-2)
- 7: Cables and Housing Cutter
- 8: Carbon Paste
- 9: Loctite #242
- 10: Torque Wrench

First Aid Kit: Essential parts to always have on hand IN CASE OF EMERGENCY...THIS MIGHT SAVE YOUR RIDE!

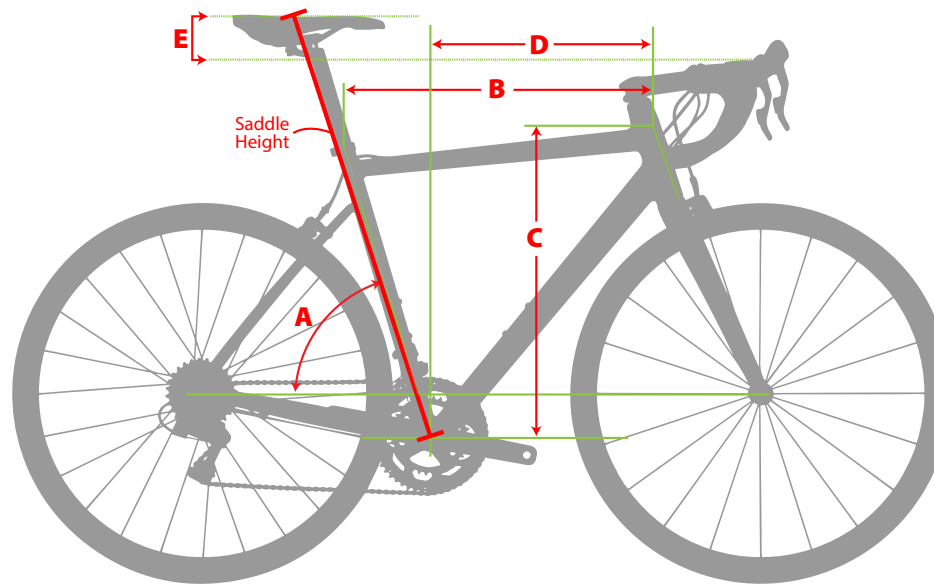
- 1: Spare rear derailleur hanger (SKU: 38883)
- 2: Seat clamp (SKU: 80474)



SKU: 38883



SKU: 80474



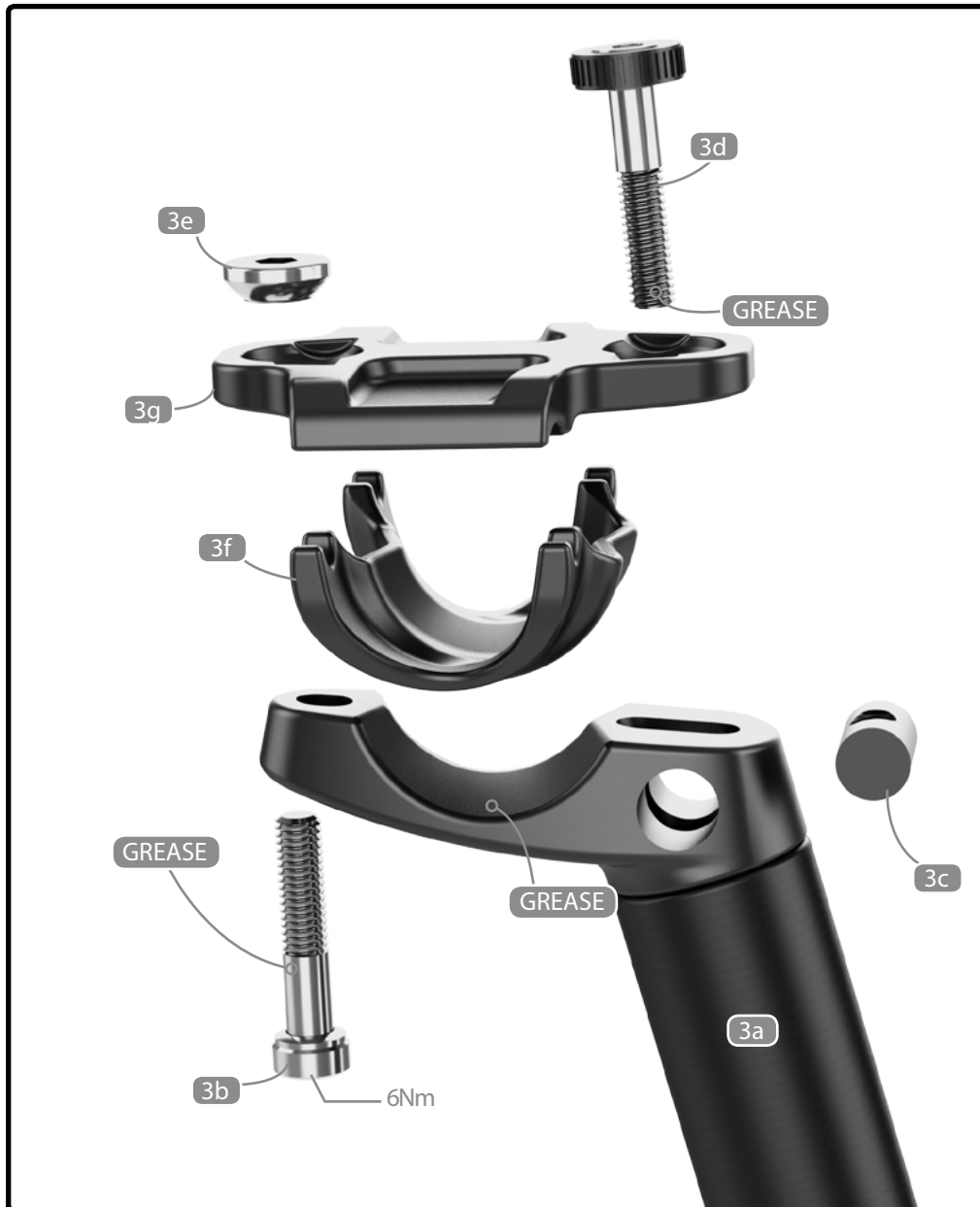
Sizing Chart: Radon

Saddle Height	Suggested Size	A Seat Tube Angle	B Top Tube Length	3D Spacer = 0		3D Spacer = 25		E	
				C Stack	D Reach	C Stack	D Reach	Minimum Drop	Maximum Drop
61	XXS	75.5	500	499	368	523	359	16	-30
62	XXS	75.5	500	499	368	523	359	6	-39
63	XXS	75.5	500	499	368	523	359	-4	-49
64	XXS / XS	75.5 / 74.5	500 / 518	499 / 517	368 / 373	523 / 541	359 / 365	-13 / 9	-59 / -37
65	XXS / XS	75.5 / 74.5	500 / 518	499 / 517	368 / 373	523 / 541	359 / 365	-23 / -1	-68 / -46
66	XS	74.5	518	517	373	541	365	-11	-56
67	XS	74.5	518	517	373	541	365	-20	-66
68	XS / S	74.5 / 74	518 / 533	517	373 / 377	541 / 563	365 / 369	-30 / -5	-75 / -50
69	XS / S	74.5 / 74	518 / 533	517 / 539	373 / 377	541 / 563	365 / 369	-39 / -14	-85 / -60
70	S	74	533	539	377	563	369	-24	-70
71	S	74	533	539	377	563	369	-34	-79
72	S	74	533	539	377	563	369	-43	-89
73	S / M	74 / 73.5	533 / 549	539 / 563	377 / 381	563 / 587	369 / 374	-53 / -25	-99 / -71
74	S / M	74 / 73.5	533 / 549	539 / 563	377 / 381	563 / 587	369 / 374	-63 / -35	-108 / -80
75	M	73.5	549	563	381	587	374	-44	-90
76	M	73.5	549	563	381	587	374	-54	-100
77	M	73.5	549	563	381	587	374	-64	-109
78	M / L	73.5 / 73	549 / 568	563 / 591	381 / 387	587 / 615	374 / 379	-73 / -41	-119 / -86
79	M / L	73.5 / 73	549 / 568	563 / 591	381 / 387	587 / 615	374 / 379	-83 / -50	-128 / -96
80	L	73	568	591	387	615	379	-60	-105
81	L / XL	73 / 72.5	568 / 590	591 / 626	387 / 392	615 / 650	379 / 385	-69 / -31	-115 / -77
82	L / XL	73 / 72.5	568 / 590	591 / 626	387 / 392	615 / 650	379 / 385	-79 / -41	-125 / -86
83	XL	72.5	590	626	392	650	385	-50	-96
84	XL	72.5	590	626	392	650	385	-60	-105
85	XL	72.5	590	626	392	650	385	-69	-115

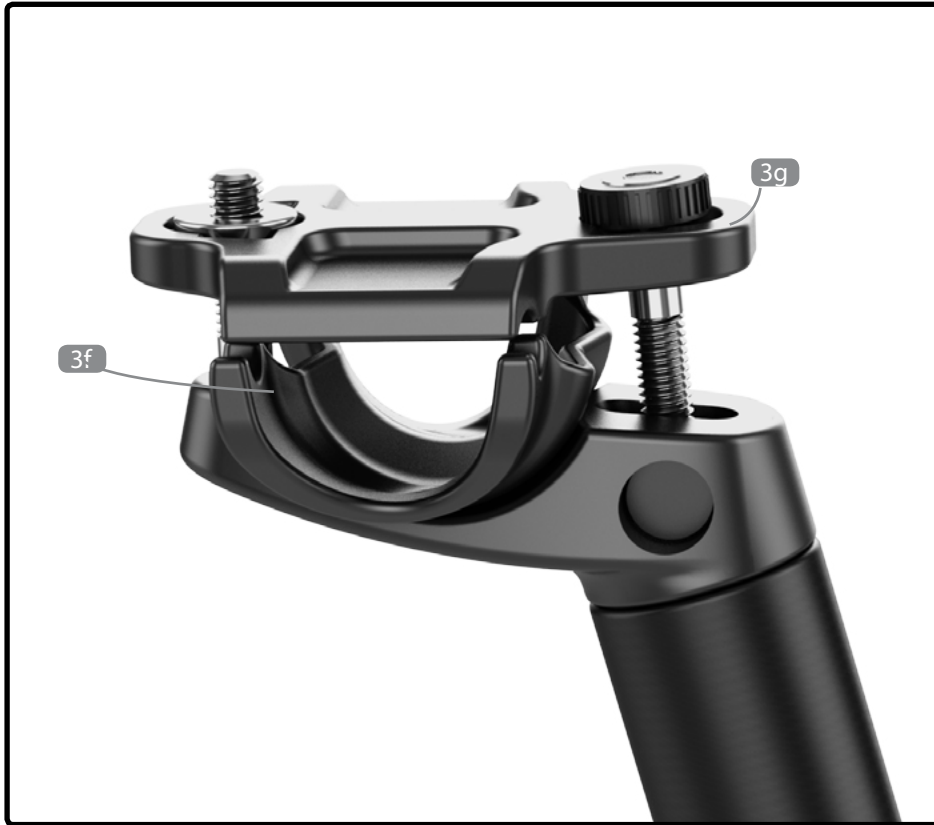
This chart indicates recommended values. Max and min drop values are calculated according to Canadian specifications. Please consult one of our authorized dealers for further informations on your bike fit.



Assemble the seat post collar with the seat post. Apply carbon paste on the seat post where it inserts inside the frame. Tighten the bolt at 4 Nm.



1. Install the saddle on the rocker (3f) and tighten the rail clamp (3g) using the screw (3d)
2. Adjust the angle, the offset of the saddle and tighten the bolt (3b).
3. The rocker and the rail clamp (3f-3g) can be flipped to change the saddle offset.



Seat clamp offset (5mm) by flipping the rail clamp (3g) and rocker (3f).



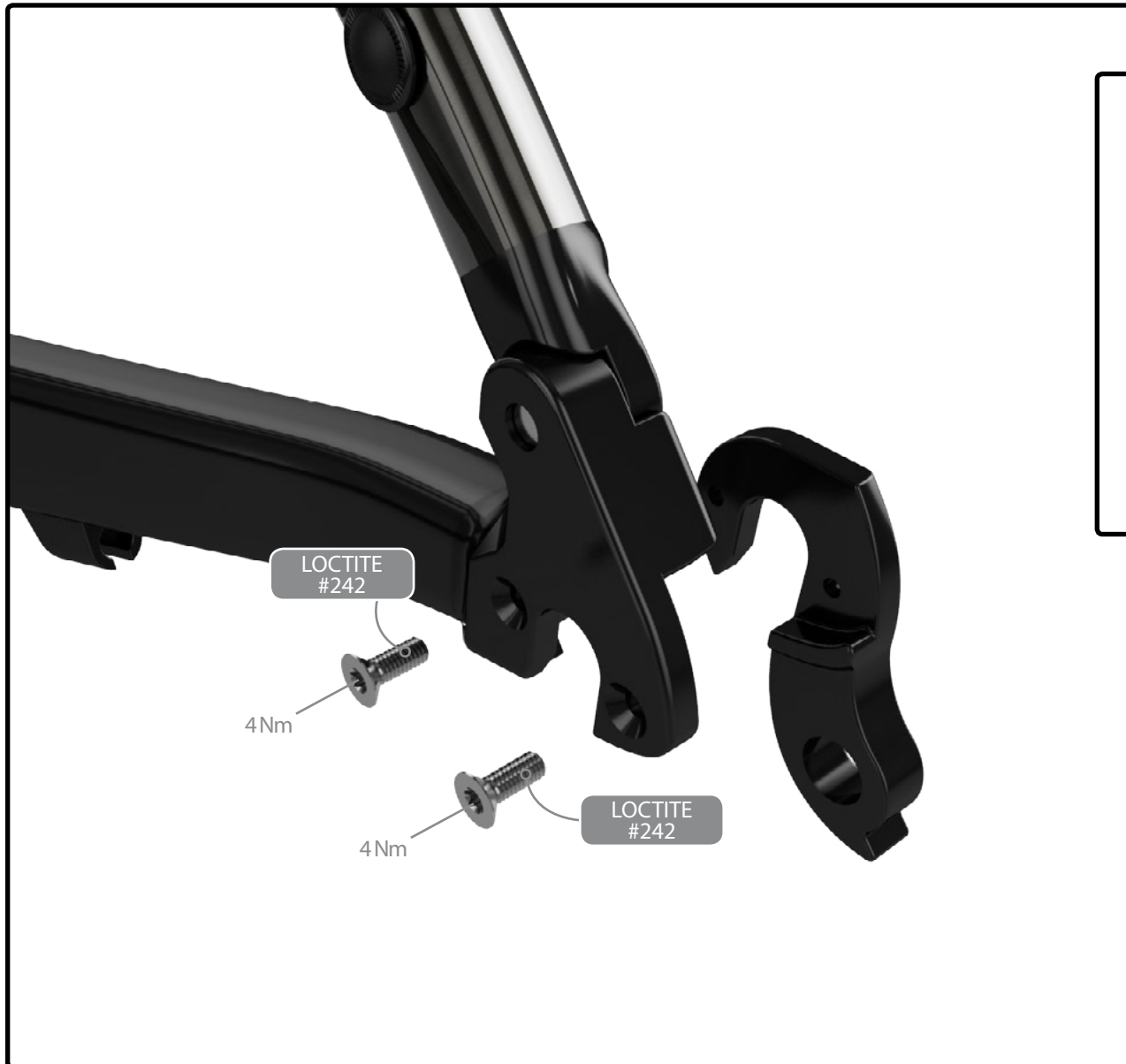
BEFORE ASSEMBLING YOUR NEW RADON, MAKE SURE THAT YOU HAVE ALL THE FOLLOWING:

- 1: Frameset parts checklist (see p.15)
- 2: Inspect the frame for cosmetic aspect (scratches, bumps, cracks, paint defect, etc.)
- 3: For reference, check serial number and write it on p.2
- 4: All the necessary bolts (refer to Frameset Parts, p.15)
- 5: For optimal shifting performance, use a dropout alignment gauge to make sure that the drive-side dropout is straight (p.9)

IMPORTANT:

The following parts are assembled on the frame. When assembling the bike, you will need to adjust these parts according to their torque specifications.

	Parts installed on the frame	Description	Screw type	Torque Nm	Detail
1	Rear derailleur hanger	Screw (2)	3mm	4Nm	Loctite
2	Bottle cage	Screw (4)	5mm	3Nm	Grease
3	Bottom bracket cable guide	Screw (1)	5mm	1.5Nm	Grease



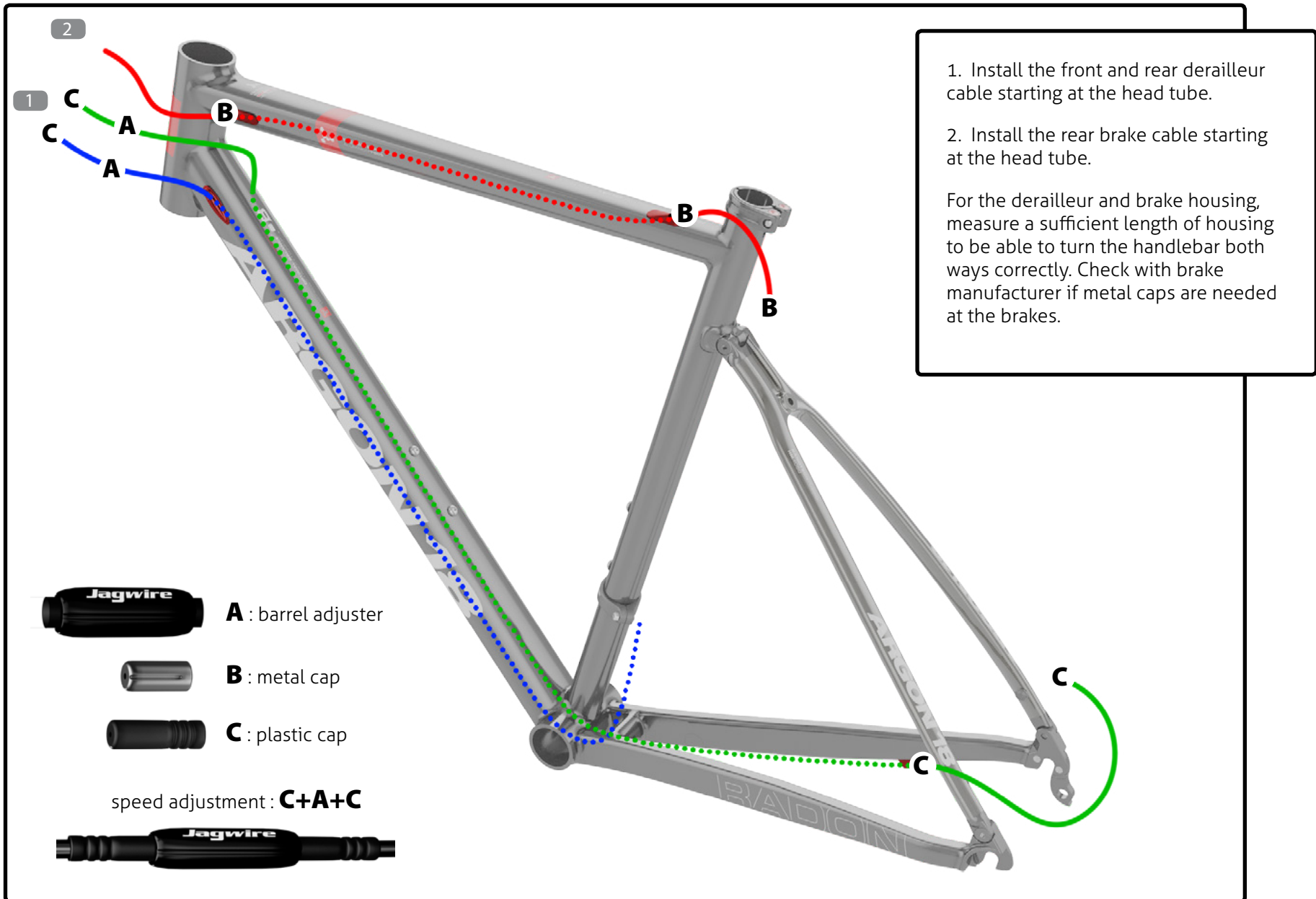
1. Use **Loctite #242** on the screws.
2. Ensure that the dropout is aligned.
3. Use Derailleur Hanger Alignment Gauge like **Park Tool Item #DAG-2**.

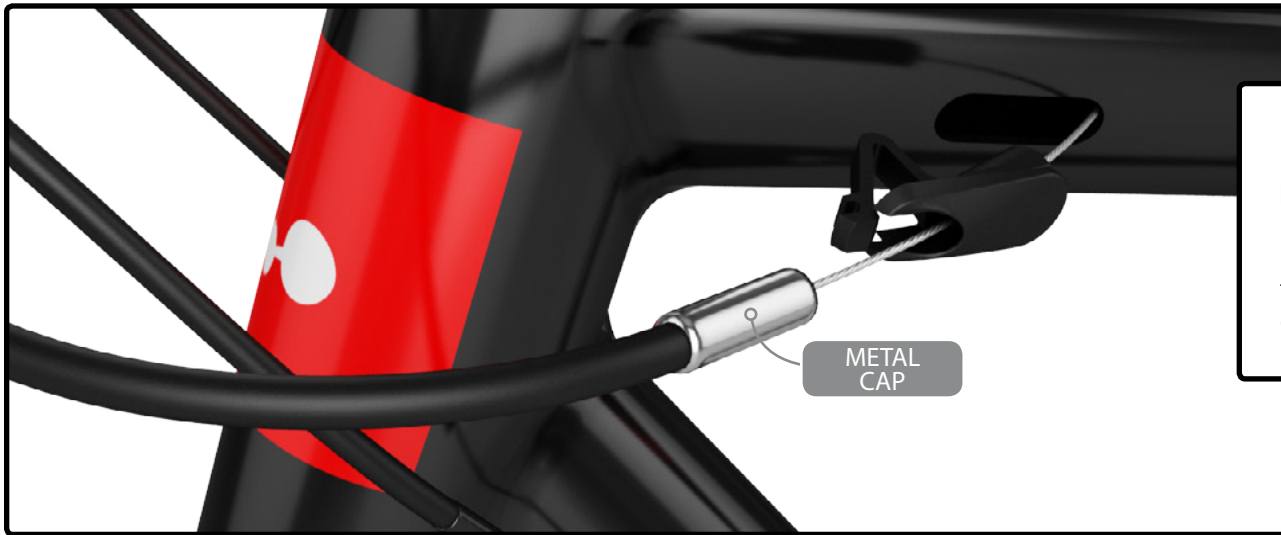


For any assistance, visit Park Tool's website:
parktool.com/product/derailleur-hanger-alignment-gauge-dag-2



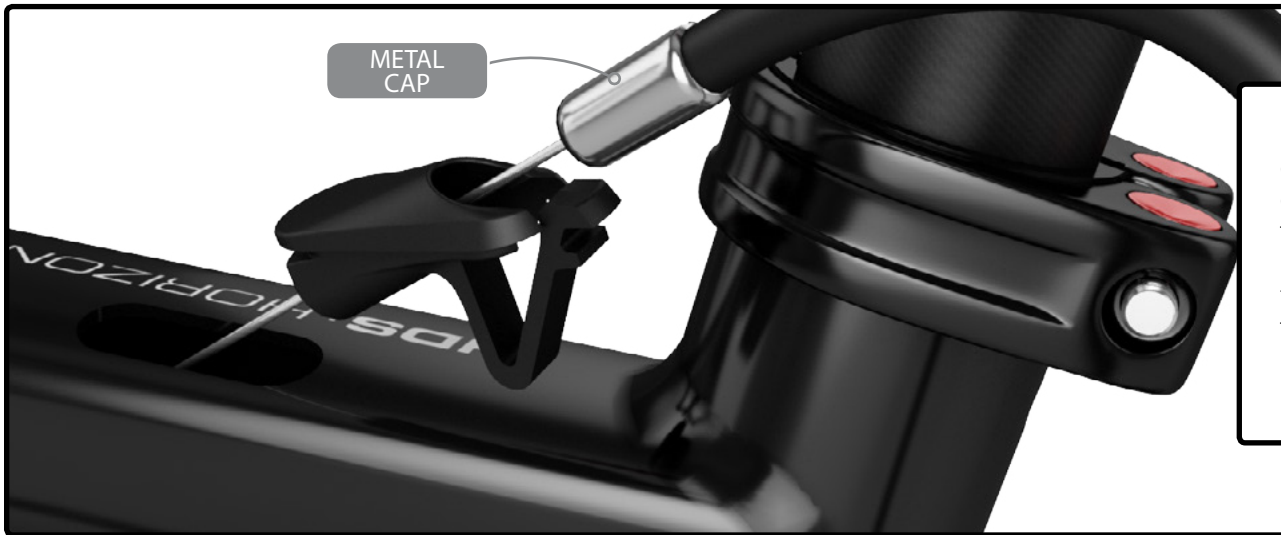
For installation of "braze-on" type front derailleur, use a clamp suitable for a seat tube of a **31.8mm diameter**, such as Shimano part SM-AD67-M.





Remove the cable stopper near the seat collar.

Front section: Measure the necessary cable housing to ensure a proper rotation of the handlebar. Insert the cable trough the shifter, and then insert the cable and the housing with a metal cap in the top tube.

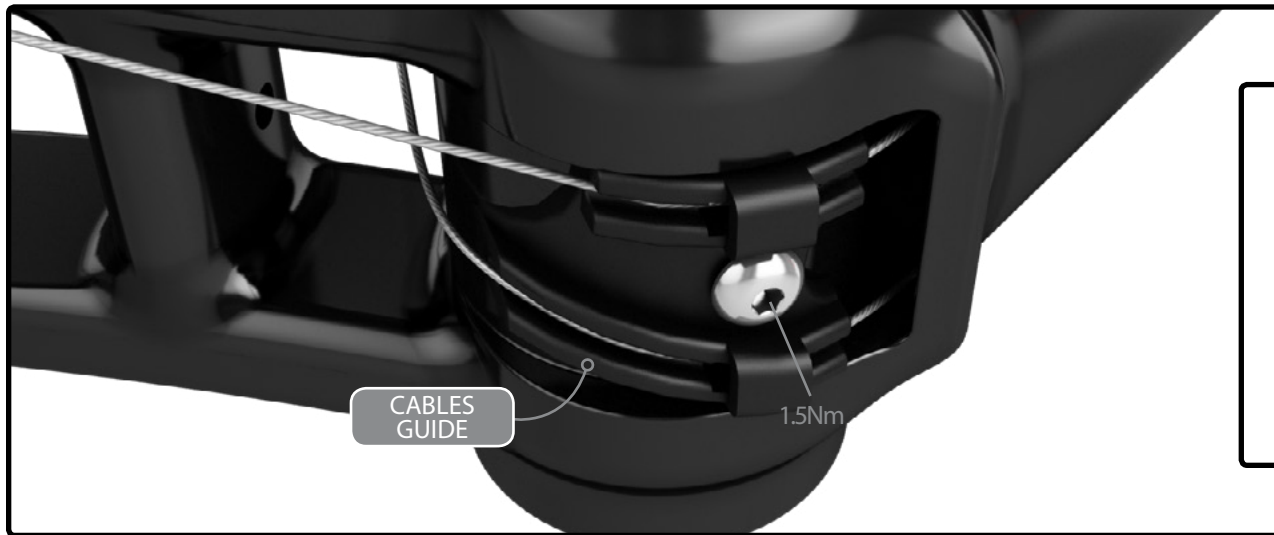


Rear section: With a magnet, get the rear brake cable out of the frame, and pass it trough the rear cable stopper. Measure the rear housing correctly to avoid interference with the rider's left leg. It's easier to remove the plastic cable stopper from the frame in order to get the cable out. Fix the cable to the brake according to the brake manufacturer's assembly guide.



Front and rear derailleur: Insert the housing from the shifters to the cable stoppers. Use plastic caps. Pass the two cables inside the frame starting from the top of the down tube until they come out under the bottom bracket.





Pass both cables into the cable guide. Make sure the 5mm screw is set to 1.5 Nm.



It's better to install the cables before installing the bottom bracket and crank.






Insert the rear derailleur housing in the rear cable stopper.




RADON: 11. Frameset Parts Checklist

ARGON 18



SKU	Description	Qty	Picture
FR.RADON. XXS/XS/S/M/L/XL.237A	FRAME	1	
FK.RADON.237A	FORK	1	
SP.RADON.234S	SEAT POST ASSEMBLY	1	



SKU	Description	Qty	Picture
80427	HEADSET WITH 3D ASSEMBLY - SKU #H0906D0000E101 with EXPANDER WITH TOP CAP (for carbon steerer)	1	
80474	SEAT POST COLLAR Dia. 31.8	1	
38883	REAR DERAILLEUR HANGER with (2x) Stainless Steel Flat-Head Socket Cap Screw - M3 x 0.5 x 8Lg	1	



SKU	Description	Qty	Picture
80473	BOTTOM BRACKET CABLE GUIDE	1	
38879	CABLE STOPPER	2	
80264	PLASTIC PLUG M5	4	
38234	ROUND CAP SCREW - M5 x 16mm LG	4	



SPECIFICATIONS

Brakes

Use only long reach type calliper brakes. This type of brake usually has a reach dimension of 57mm.

Front derailleur clamp

For installation of "braze-on" type front derailleur, use a clamp suitable for a seat tube of a 31.8mm diameter, such as Shimano part SM-AD67-M.

Tire Clearance

The biggest tires that can be installed must be no wider than 32mm. However, if fenders are installed, they cannot be wider than 28mm.

Fenders

The frame and fork are equipped with fixtures to allow the installation of fenders. We recommend fenders with a width of approximately 40mm.

Seat Post

27.2mm (Argon 18 ASP-1600 Carbon Seat Post Included)

Seat Post Clamp

31.8mm

Bottom Bracket

BB86 (Press-fit)

Headset

FSA No 37E-B + 3D Press-fit (Bearing 1 1/8" (Top and bottom + FSA TH-881-1 Compressor included)

Forged dropouts with replaceable forged rear derailleur hanger