



Assembly overview.....	2
1. Frame inspection.....	3
2. Cable housing installation.....	4-6
3. Saddle adjustment.....	7-8
4. Parts listing.....	9-10

For the warranty to be valid, the bicycle must be fully assembled by an authorized Argon 18 dealer. High-end components, particularly carbon parts, need extra care when assembled. Those components must be installed using a calibrated torque wrench to make sure every bolt is at the right torque setting to prevent damage.



1. Frame inspection



2. Cable housing installation

IMPORTANT NOTICE: It is easier to install the cables and cable housings before the bearings.



3. Seatpost adjustment



4. Parts listing





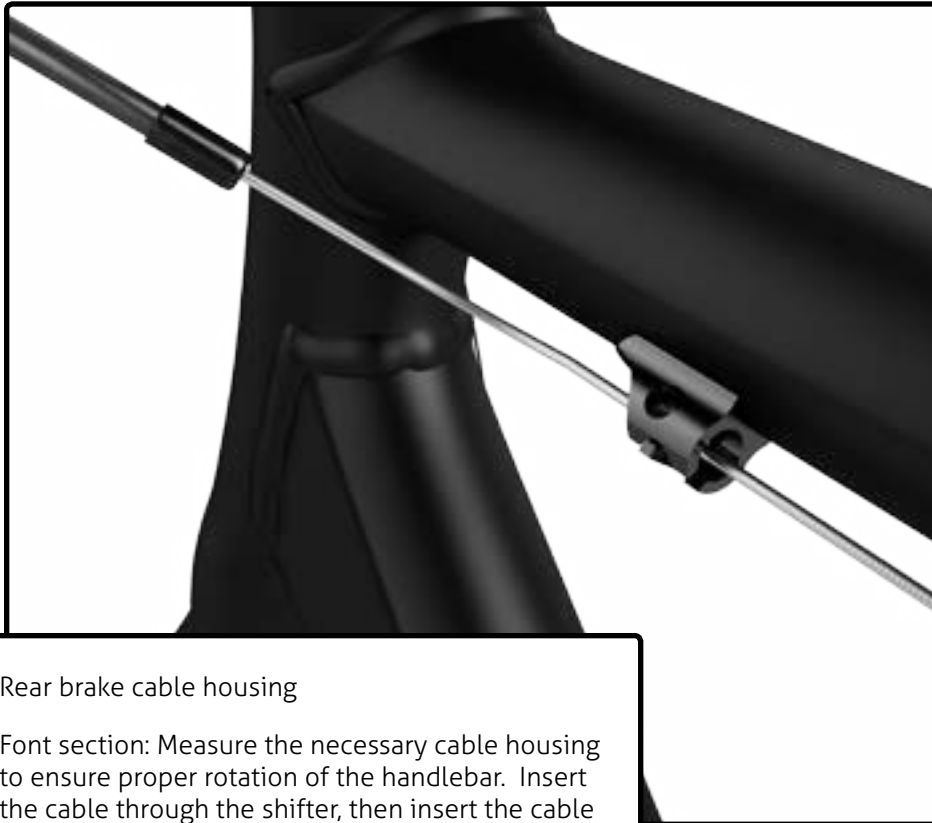
When assembling a new frame, be sure to check if the following parts are assembled correctly.

Parts installed on the frame Description			Screw type	Tork Nm	Detail
1	Seatpost, Ø 31.6mm	Seatpost			Carbon paste
2	Rear derailleur hanger	Screw (2)	3mm	4Nm	Loctite
3	Bottle cage	Screw (4)	4mm	3Nm	Grease
4	Seatpost collar	Clamp	4mm	6Nm	Grease
5	Bottom bracket cable guide	Screw	5mm	3Nm	Grease



1. Install the front and rear derailleur cable starting at the top of the down tube.
 2. Install the rear brake cable starting at the head tube.
- For the derailleur and brake housing, measure a sufficient length of housing to be able to turn the handlebar both ways correctly.

-  **A** : metal cap
-  **B** : plastic cap



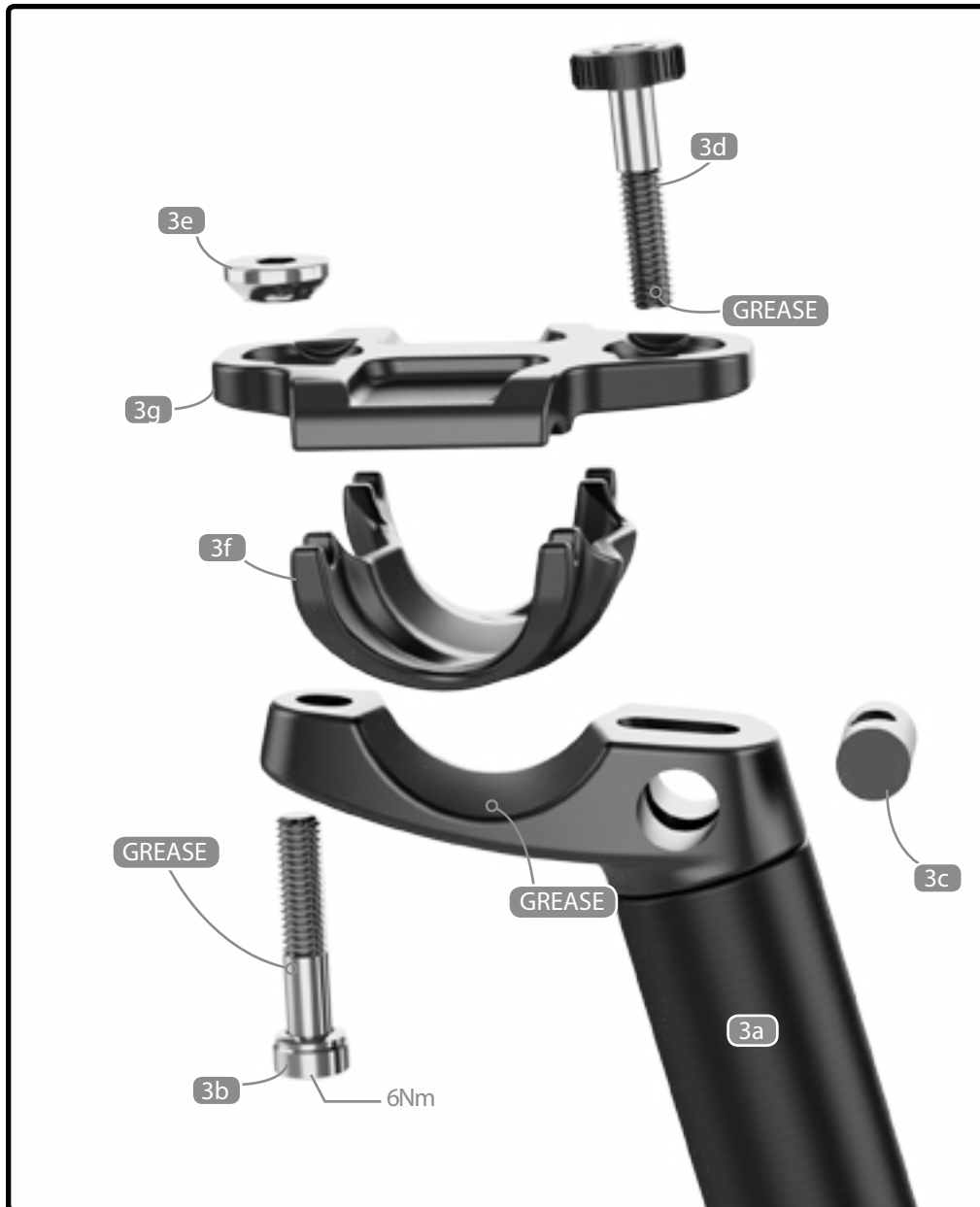
Rear brake cable housing

Front section: Measure the necessary cable housing to ensure proper rotation of the handlebar. Insert the cable through the shifter, then insert the cable housing into the top tube cable stopper.

Rear section: Pass the cable through the rear cable stopper. Measure the rear housing correctly to avoid interference with the rider's left leg. Fix the cable to the brake according to the brake manufacturer assembly guide.



Front & rear derailleur: Pass the cables under the downtube then into the cable guide (5).



9.1 Install the saddle on the rocker (3f) and tighten the rail clamp (3g) using the screw (3d)

9.2 Adjust the angle, the offset of the saddle and tighten the bolt (3b).

9.3 The rocker and the rail clamp (3f-3g) can be flipped to change the saddle offset.



Seat clamp offset (5mm) by flipping the rail clamp (3g) and rocker (3f).



Images are for reference only. Proportions are not accurate.



No #	Name Frameset parts	Supplier Description	Qty	SKU Comp	SKU Acc
1	Radon frame	AFA05-MK, artwork 193A, Black/Mat			
2	Radon fork	GM-F15, RN86, artwork 193-FK, Black,matte	1	38614	38766
# Seat post with the following parts assembled					
3	Radon seat post (ASP-1550)	M-SP11-12K-31.6*300 (with JD parts), artworks 214ASP, Black, matte	1	38615	38767
3a	Hex cap screw (M6*40mm S)	M6*40mm S	1		
3b	Cylinder nuts	SP24	2		
3c	SP special bolt (M6*45mm)	Special bolt M6*45mm, LD20100402	1		
3d	Convexe M6 washer	Washer A2110-M	1		
3e	Rocker	SP107	1		
3f	Rail clamp	SP106	1		
# Parts installed on the frame					
4a	Rear derailleur hanger with screws - Model G	Rear derailleur hanger for AFA05-MK use, color: black, with flat head HexSocket screws (M4*8mm F)	1		37832
4b	Screw for water bottle cage	Stainless ButtonHead HexSocket screw (M5*16mm B) for bottle cages, M001E905038	4		38234
5	BB cable guide with screw	YF-007-2, BB cable guide with ButtonHead (M5*8mm B) phillips head screw	1	35701	32354
6	Seat clamp with screw	YZ-CB-08 (34.9mm) seat collar with HexSocket screw (M6*20mm S)	1	35702	35981
# Also included with the frameset - shipped separately					
7	Headset No. IS-2 15mm with compressor TH-874-1	IS-2 (1-1/8") new (Argon 18 exclusive) with TH-874-1 (2013), HH203E4142E1GZ	1	35887	37835
8	Barrel adjuster	CM019B, Jagwire index adjusting barrel, black STI cable boss	2	35703	37636