



Please read these instructions carefully and follow them step by step. Failure to comply may result in damage to the product that will not be covered by the warranty or may cause an accident resulting in injury or death. Since specific tools and knowledge are required for proper installation, it is recommended that the product be installed and assembled by an experienced bicycle mechanic.

- ❶ Compressor
- ❷ Top cap
- ❸ Micro spacers
- ❹ Compression ring
- ❺ Bearing
- ❻ 3D bearing holder
- ❼ Plastic sleeve (no need for **0mm** setup)
- ❽ Top cap for **0mm** setup

STEP 1

First, you must assess which setup suits your needs: **25mm, 15mm or 0mm.**

STEP 2

Inspect the bike's head tube for any sharp edges and apply a small amount of grease.

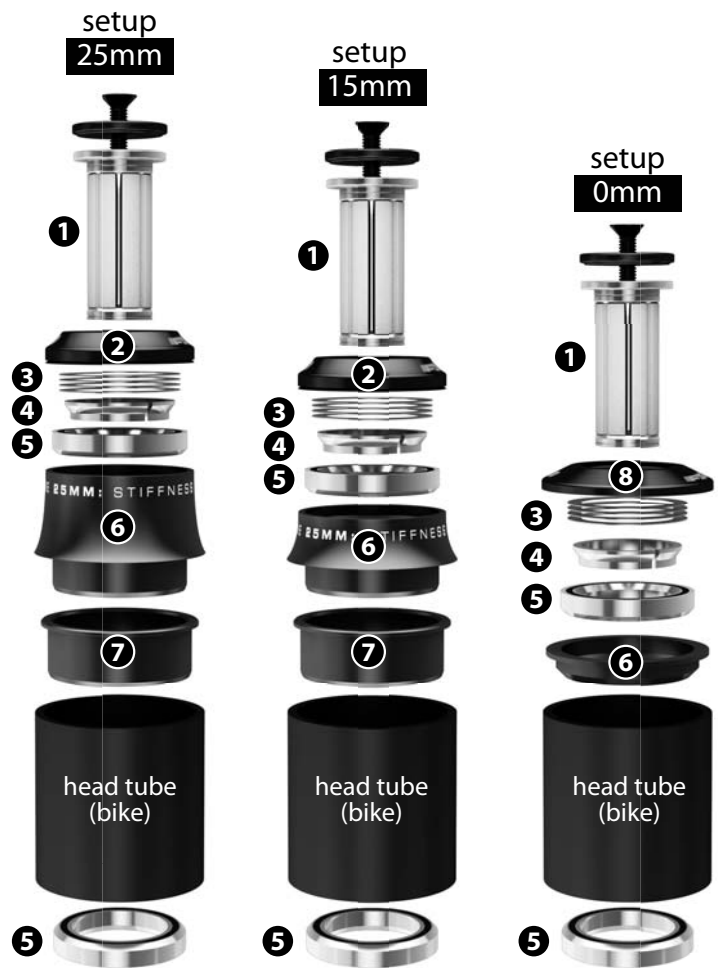
STEP 3

For the **25mm and 15mm** setups, lightly grease the bottom section of the 3D bearing holder (6) and insert the plastic sleeve (7).

STEP 4

Position the headset inside the head tube. Place the top 3D assembly with the headset bearing inside (this will prevent the sleeve from getting damaged). Add the compression ring (4) on top of the bearing, then add the press fit 3D system tool and softly press down the assembly until it bottoms out using a Bearing Cup Press (**ParkTool HHP-2**). Then, insert the bottom bearing (5), micro spacers (3) and top cap (2), slide the fork and stem and measure the steerer length needed.

For the **0mm setup**, do not use the plastic sleeve. Install the 3D bearing holder (6) with grease applied directly inside the frame.



To remove the 3D bearing holder, insert the **ParkTool RT-1** and then tap it carefully until the spacer comes out.

Warranty

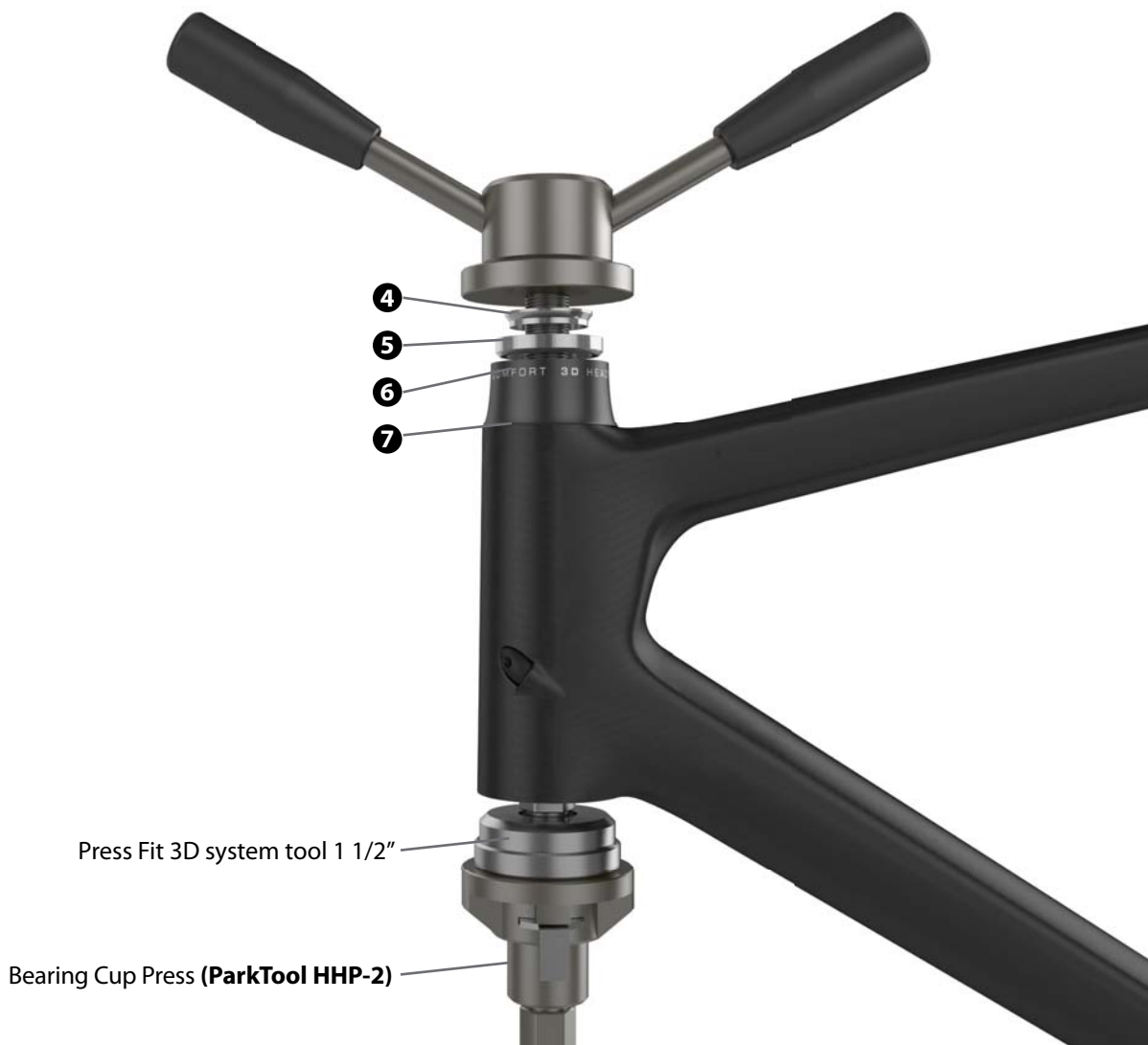
Argon 18 warrants the 3D Headtube to be free from defects in materials or workmanship for a period of three years after original purchase unless otherwise stated in the full warranty policy. The warranty is nontransferable and valid to the original purchaser of the product only.

Note: Description of numbered parts is comprehensive and for reference only. Headset models vary and may not include all parts listed above.



IMPORTANT : Use the *Press Fit 3D system tool 1 1/2"* with the Bearing Cup Press (**ParkTool HHP-2**) to avoid any damage on the bike frame.

- ❶ Compressor
- ❷ Top cap
- ❸ Micro spacers
- ❹ Compression ring
- ❺ Bearing
- ❻ 3D bearing holder
- ❼ Plastic sleeve (no need for **0mm** setup)
- ❽ Top cap for **0mm** setup



Warranty

Argon 18 warrants the 3D Headtube to be free from defects in materials or workmanship for a period of three years after original purchase unless otherwise stated in the full warranty policy. The warranty is nontransferable and valid to the original purchaser of the product only.

Note: Description of numbered parts is comprehensive and for reference only. Headset models vary and may not include all parts listed above.