

E-118⁺ TRI DISC

**FAST, FIT,
FEARLESS**



Photos are for illustrative purposes only. Product not necessarily sold as shown.

***A UCI-LEGAL TRI
BIKE WITH THE LEAN, LOW
RACE FRAME OF A TT
CHAMPION, TAILORED
FOR TRIATHLETES.***

At 250g lighter than the previous-generation E-118Next and equipped with discs, the E-118 Tri+ combines the razor-sharp handling and aerodynamic performance of a TT champion with tri-specific fit and functionality. Using Notio for our racecourse and velodrome testing has shown a gain of 8 to 10 watts at 50km/h over the E-118Next.

LIGHTWEIGHT: At 250g lighter than its predecessor, the E-118 Tri+ is among the lightest tri bikes on the market. Working within the UCI limits on tube size pushed us to shave all unneeded bulk off the frame, for a lean, lightweight racer that leaves you fresh for the run.

DIALLED-IN HANDLING FOR TECHNICAL COURSES: Superb handling with the confidence of disc brakes. TT-level stiffness provides increased power transfer, and confident climbing and cornering comes through the lower position available on the base bar, with a 1.5cm increase in the saddle to handlebar drop over the E-118Next.

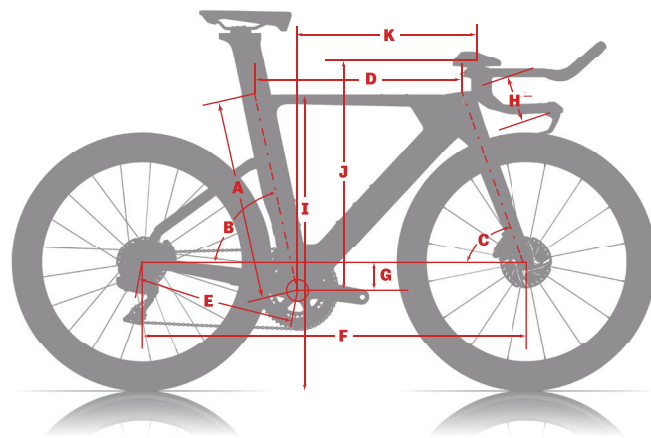
FIT AND POSITIONING: With new geometry to achieve a significantly lower front profile, our updated Oneness system offers a bar/stem system with armrest stack 2cm lower and grip position 4cm lower than the E-118Next. This allows athletes to achieve a low, aggressive position, and for smaller riders to find their perfect fit.

ARGON 18



E-118+ TRI DISC

Ideal for those looking for an aggressive position, highly responsive handling for extremely technical courses, or a versatile bike for both TT and Tri.



GEOMETRY

SIZE		XS	S	M	L	
CLASSIC		47-50	51-53	54-56	57-59	
A	SEAT TUBE HEIGHT	cm	46.1	50.0	51.6	54.6
B	SEAT TUBE ANGLE	deg	78.0	78.0	78.0	78.0
C	HEAD TUBE ANGLE	deg	72.0	72.0	72.0	72.0
D	TOP TUBE LENGTH*	cm	49.2	50.4	51.7	52.8
E	CHAINSTAY LENGTH	cm	41.3	41.3	41.3	41.3
F	WHEELBASE	cm	97.7	99.0	100.5	101.9
G	BB DROP	cm	7.0	7.0	7.0	7.0
HI	HEADTUBE LENGTH	cm	4.9	6.0	7.6	10.4
I	STANDOVER HEIGHT [†]	cm	71.8	75.4	77.0	79.5

* HORIZONTAL TOP TUBE LENGTH
[†] MEASURED WITH 700X25C TIRES

FIT (STACK AND REACH)

J	STACK MIN.	cm	53.6	54.7	56.2	58.8
K	REACH MIN.	cm	43.3	44.3	45.3	45.8
J	STACK MAX.	cm	63.6	64.7	66.2	68.8
K	REACH MAX.	cm	51.5	52.5	53.5	54.0
	SADDLE HEIGHT MIN.*	cm	57.6	61.5	63.1	66.1
	SADDLE HEIGHT MAX.*	cm	78.1	82.0	83.6	86.6

* STACK AND REACH MEASURED AT CENTER OF ELBOW PAD
[†] MEASURED FROM MIDDLE OF BB TO TOP OF SADDLE ALONG SEAT TUBE

BUILD OPTIONS SPECS (NORTH AMERICA)

KIT 2 DI2 SHIMANO ULTEGRA DI2 315A - BLACK FROZEN TO GREY

FRONT DERAILLEUR	Shimano Ultegra Di2 R8050
REAR DERAILLEUR	Shimano Ultegra Di2 R8050
SHIFTERS/BRAKES	Shimano Dura Ace Di2 R9180
BAR END SHIFTERS	Shimano Dura Ace Di2 R9160
ROTOR	FR: Shimano RT-800 160mm RR: Shimano RT-800 140mm

CRANKSET	Rotor ALDHU 52/36 (Powermeter upgradeable - Rotor InSpider)
BB	Shimano SM-BB72
CHAIN	Shimano HG701-11
CASSETTE	Shimano Ultegra R8000 11/28
HEADSET	FSA MR136 top/ MR122 lower
STEM	A18 Integrated Stem

TT BAR	A18 integrated
BAR TAPE	Prologo Plaintouch Black
SADDLE	ISM PN3.1
SEATPOST	E-118T+
TIRES	Vittoria Corsa TLR G+ 700x25c
WHEELSET	HUNT Aero Wide 34

