

TRACK STEMS
FOR **RIO** & **TKO** MODELS

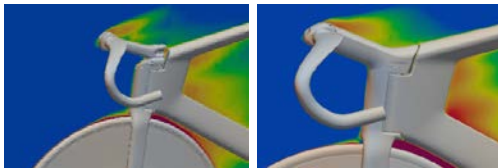
WIDE FIT WINDOW WITH SEAMLESS INTEGRATION

BETTER AERO PERFORMANCE
NO STEERER MODULE NEEDED
ADDED STIFFNESS

With up to 30mm spacers and 2 custom caps, our new track stems provide perfect fit combined with advanced aero performance.

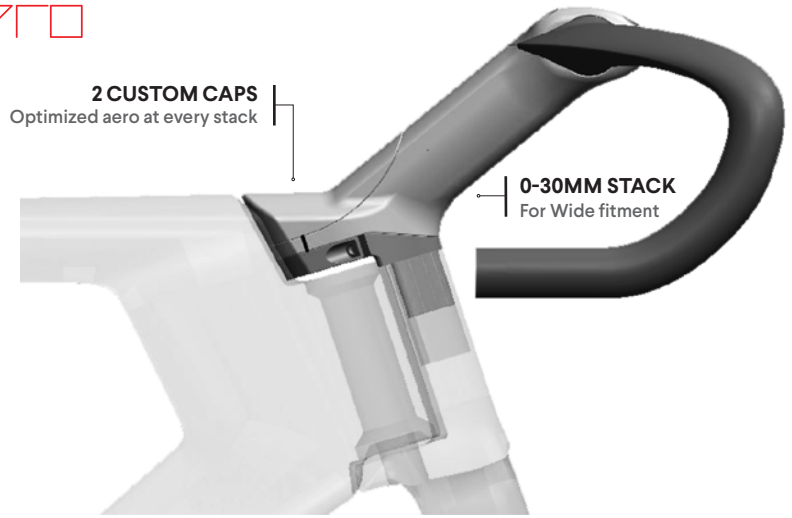
3.8W POWER SAVING AT 65KM/H

Provides a CdA decrease of 23%, resulting in a 2% decrease of total front end CdA.



STANDARD STEM

A18 TRACK STEM



0mm



30mm



WEIGHT 392g
(170mm)*

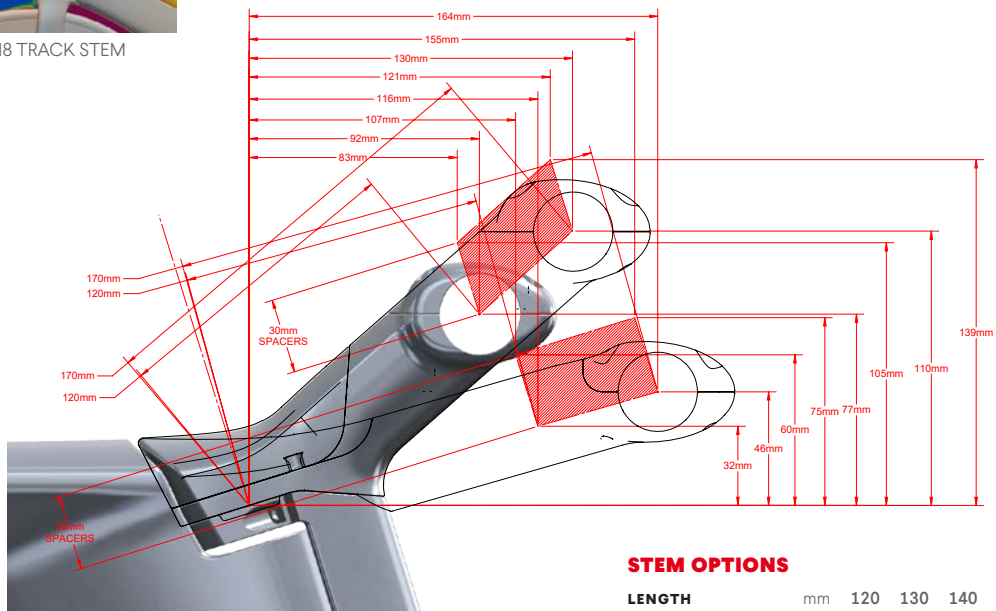
18% LIGHTER

When compared to standard stem systems (with steerer module).



52% TORSIONAL STIFFNESS GAIN

When compared to standard stem systems (with steerer module).



STEM OPTIONS

LENGTH mm 120 130 140 150 160 170

ANGLE 0°, 24°