



IMPORTANT : Use the *Press Fit 3D system tool* with the Bearing Cup Press (**ParkTool HHP-2**) to avoid any damage on the bike frame.

The Press Fit 3D system tool is available in 2 sizes :

1 1/2" for the Gallium Pro headset

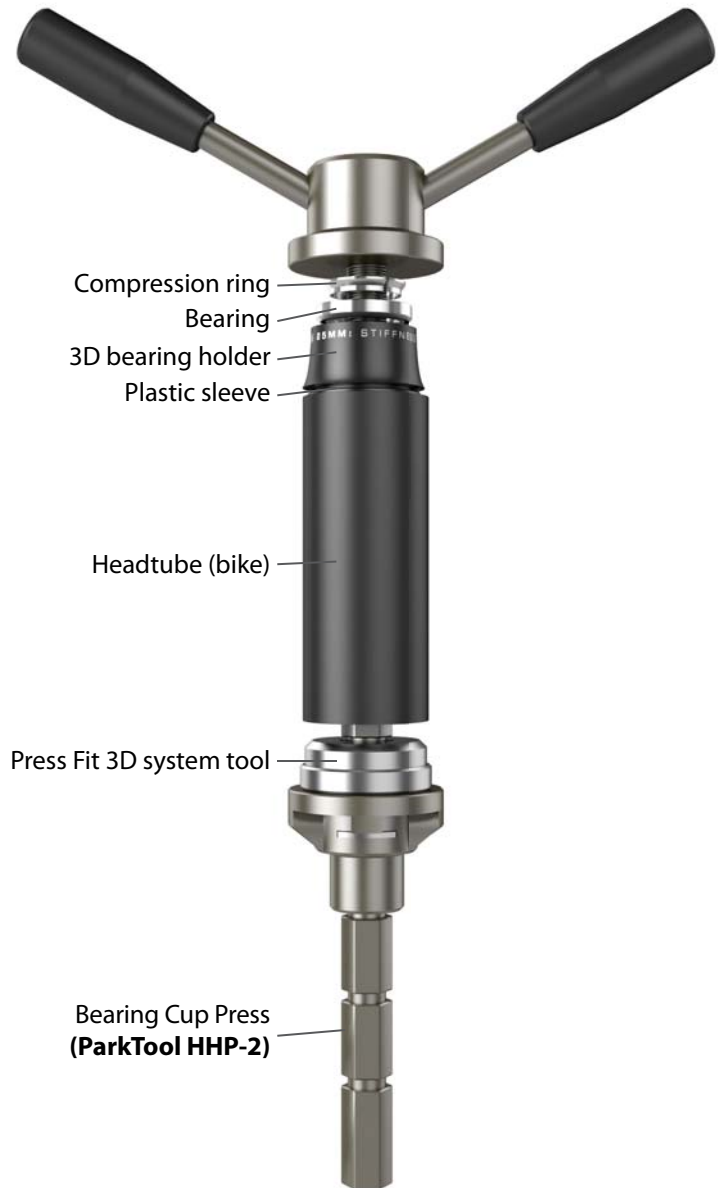
1 1/4" for the Nitrogen headset



PF3DT 1.5



PF3DT 1.25



Warranty

Argon 18 warrants the 3D Headtube to be free from defects in materials or workmanship for a period of three years after original purchase unless otherwise stated in the full warranty policy. The warranty is nontransferable and valid to the original purchaser of the product only.

Note: Description of numbered parts is comprehensive and for reference only. Headset models vary and may not include all parts listed above.