

E-80

Black Matte

Thermotech Tubing Aluminum 3005

ASP-4000 Aero Carbon Seat Post



DESIGNED &
ENGINEERED

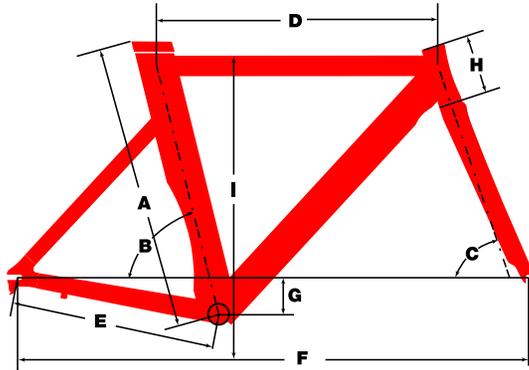
IN CANADA



ARGON 18

2016 Collection

E-80



GEOMETRY

SIZE CLASSIC	XS*	S	M	L	
	47-49	50-53	54-56	57-60	
A	cm	46	53	55	57
B	deg	76	76	76	76
C	deg	72.5	72.5	72.5	72.5
D	cm	52.0	53.5	54.5	56.0
E	cm	40	40	40	40
F	cm	96.9	98.5	99.5	101.3
G	cm	7	7	7	7
H1	cm	8.5	9.5	11.4	14.0
I	cm	69.1	74.8	76.6	79.1

*Sloping Top Tube



ASP-4000 SEAT POST
REVERSIBLE FOR EVEN MORE POSITIONING OPTIONS

TRIPLE-BUTTED ALUMINUM FRAME
PROVIDES OPTIMAL POWER TRANSFER

AERODYNAMIC CARBON FORK
MAKES FOR A SMOOTH, LIGHTWEIGHT RIDE

EXTENDED REAR CHAINSTAYS
OFFER MORE STABILITY AT HIGH SPEEDS



PERFORMANCE AND PRESTIGE

DISCOVER ALL THAT ARGON 18'S TT AND TRIATHLON BIKES HAVE TO OFFER



WIND-TUNNEL PROVEN DYNAMICS

DESIGNED TO BEAT THE CLOCK



SIZE-SPECIFIC GEOMETRY

WELL BALANCED ERGONOMIC FIT FOR EVERY FRAME IN EVERY SIZE



ARGON FIT SYSTEM (AFS)

ENSURES MAXIMUM CONTROL AND PERFECT POSITIONING