




KRYPTON

 Black Matte + Red Matte

 Nanotech Tubing HM5750

 Kr36 Carbon Fork

 ASP-1600 Carbon Seatpost



DESIGNED &
ENGINEERED

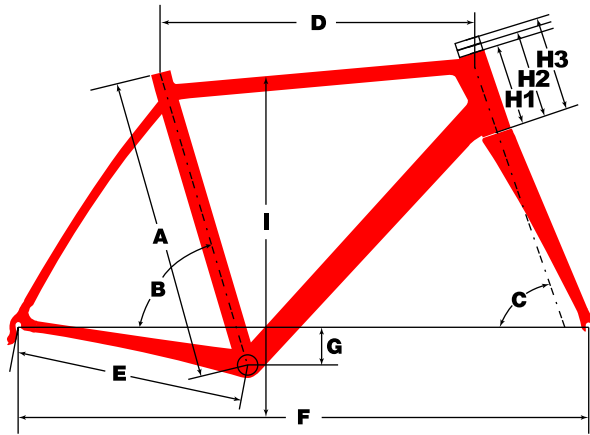
IN CANADA



ARGON 18

2016 Collection

KRYPTON



PRESS-FIT 3D SYSTEM
 EVERY FRAME SIZE HAS THREE HEAD TUBE HEIGHTS FOR INCREASED RIGIDITY; SYSTEM PRESERVES 5% AND 11% MORE INCREMENTAL FRONTAL RIGIDITY VS. STANDARD SPACERS WHEN THE HANDLEBAR IS SET AT 15MM AND 25MM, RESPECTIVELY

REVERSIBLE SEAT POST
 FLEXIBLE POSITIONING OPTIONS FOR THE PERFECT FIT



GEOMETRY

SIZE CLASSIC	XXS*	XS*	S*	M*	L*	XL*
A	44-46	47-50	51-53	54-56	57-59	60-62
B	43	46.5	51.3	55	57.5	60
C	75.5	74.5	74	73.5	73	72.5
D	71	72	72.7	72.7	72.7	73
E	50	52	54	55.6	57.5	59.5
F	40.6	40.6	40.6	40.8	41	41
G	96.3	96.7	97.6	98.9	100	101
H1	7	7	7	7	7	7
H2	9.0	10.0	12.3	14.7	17.3	19.5
H3	10.4	11.4	13.7	16.1	18.7	20.9
I	11.4	12.4	14.7	17.1	19.7	21.9
I	67.5	70.5	75	78	80	83

* Sloping Top Tube



PERFECT POSITIONING FOR ALL CYCLISTS

THE IDEAL BIKE FOR BOTH OCCASIONAL AND HARD-CORE CYCLISTS



CARBON COMPOSITE

DESIGNED FOR ADDED COMFORT ON ALL TYPES OF ROADS



ARGON FIT SYSTEM (AFS)

MAKES IT EASY FOR RIDERS OF ALL SHAPES AND SIZES TO FIND THE PERFECT POSITION



SIZE-SPECIFIC GEOMETRY

WELL BALANCED ERGONOMIC FIT FOR EVERY FRAME IN EVERY SIZE




OPTIMAL BALANCE


GET MAXIMUM COMFORT AND ADDED POWER IN A LIGHTWEIGHT PACKAGE WITHOUT COMPROMISE


For further information on the Krypton, visit our website at argon18bike.com.

KRYPTON

 Black Gloss + White Gloss

 Nanotech Tubing HM5750

 Kr36 Carbon Fork

 ASP-1600 Carbon Seatpost



DESIGNED &
ENGINEERED

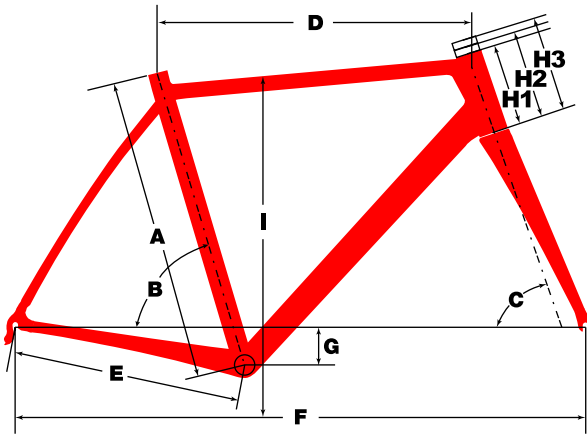
IN CANADA



ARGON 18

2016 Collection

KRYPTON



PRESS-FIT 3D SYSTEM
 EVERY FRAME SIZE HAS THREE HEAD TUBE HEIGHTS FOR INCREASED RIGIDITY; SYSTEM PRESERVES 5% AND 11% MORE INCREMENTAL FRONTAL RIGIDITY VS. STANDARD SPACERS WHEN THE HANDLEBAR IS SET AT 15MM AND 25MM, RESPECTIVELY

REVERSIBLE SEAT POST
 FLEXIBLE POSITIONING
 OPTIONS FOR THE PERFECT FIT



GEOMETRY

SIZE CLASSIC	XXS*	XS*	S*	M*	L*	XL*
A	44-46	47-50	51-53	54-56	57-59	60-62
B	43	46.5	51.3	55	57.5	60
C	75.5	74.5	74	73.5	73	72.5
D	71	72	72.7	72.7	72.7	73
E	50	52	54	55.6	57.5	59.5
F	40.6	40.6	40.6	40.8	41	41
G	96.3	96.7	97.6	98.9	100	101
H1	7	7	7	7	7	7
H2	9.0	10.0	12.3	14.7	17.3	19.5
H3	10.4	11.4	13.7	16.1	18.7	20.9
I	11.4	12.4	14.7	17.1	19.7	21.9
I	67.5	70.5	75	78	80	83

* Sloping Top Tube



PERFECT POSITIONING FOR ALL CYCLISTS

THE IDEAL BIKE FOR BOTH OCCASIONAL AND HARD-CORE CYCLISTS



CARBON COMPOSITE

DESIGNED FOR ADDED COMFORT ON ALL TYPES OF ROADS



ARGON FIT SYSTEM (AFS)

MAKES IT EASY FOR RIDERS OF ALL SHAPES AND SIZES TO FIND THE PERFECT POSITION



SIZE-SPECIFIC GEOMETRY

WELL BALANCED ERGONOMIC FIT FOR EVERY FRAME IN EVERY SIZE



OPTIMAL BALANCE

GET MAXIMUM COMFORT AND ADDED POWER IN A LIGHTWEIGHT PACKAGE WITHOUT COMPROMISE

For further information on the Krypton, visit our website at argon18bike.com.