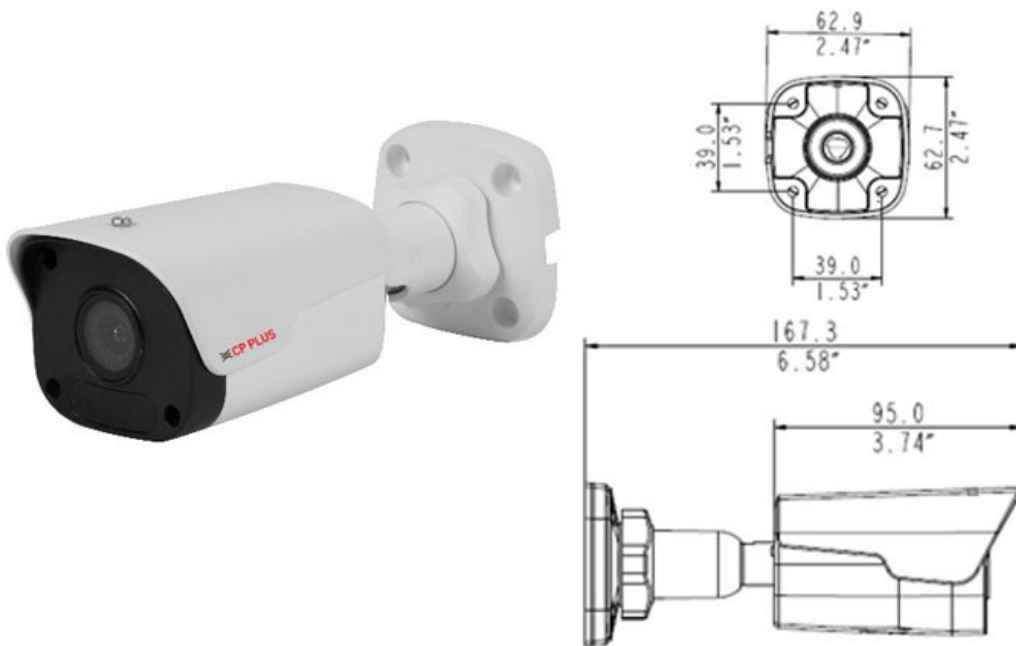


CP- VNC-T41R3-D**4 MP Full HD Array Bullet Camera - 30Mtr.****INDIGO****Main Features**

- 1/3" 4MP PS CMOS Image Sensor
- Max 20fps@4MP
- Ultra H.265/ H.265/H.264/MJPEG Triple-stream Encoding
- WDR(120dB), Day/Night (ICR), 2D/3D-DNR, Corridor mode, ROI, AWB, AGC, BLC, HLC
- 4mm lens (6.0mm Optional)
- IR Range of 30 Mtrs, Smart IR, IP66, PoE
- Supports Instastream technology, save disk space and bandwidth upto 70%
- Mobile Software: Android, iOS
- CMS Software: IVMS

**Instastream****CE FC****RoHS**
COMPLIANT

CP- VNC-T41R3-D

4 MP Full HD Array Bullet Camera - 30Mtr.



Feature

Image Sensor
 Minimum Illumination
 Shutter Speed
 White Balance
 Gain Control (AGC)
 Lens
 Video Compression
 Angle of View
 Back Light Compensation
 S/N Ratio
 Video Streaming
 Resolution
 Frame Rate
 Motion detection
 Privacy Mask
 ICR
 ROI
 Protocol
 Ethernet
 General Function
 IR
 OSD
 Special Features
 Operating Temperature
 Humidity
 Power Source
 Power Consumption
 Weatherproof Standard

Specification

1/3" 4MP Progressive scan CMOS
 Colour: 0.02 Lux (F1.8, AGC ON) 0 Lux with IR on
 Auto/Manual, 1/6~1/100000 s
 Auto/Manual
 Auto/Manual
 4mm Lens (6mm Optional)
 Ultra H.265/H.265/H.264/MJPEG
 78.9°(H) 39.6°(V) 97.1°(O) / 49.9°(H) 27°(V) 61.4°(O)
 BLC/ HLC/ WDR(120dB)
 >52dB
 Triple
 2592×1520
 Max: 20 fps@4MP (2592×1520) , Max: 25 fps@4MP (2560×1440) , Max: 30 fps@3MP (2048×1520) , Max: 30 fps @1080P (1920×1080),Sub Stream: 2MP (1920×1080): Max. 30 fps, Third Stream: D1(720×576) : Max. 30fps
 Up to 4 areas
 Up to 8 areas
 IR-cut filter with auto switch (ICR)
 Up to 8 areas
 IPv4, IGMP, ICMP, ARP, TCP, UDP, DHCP, PPPoE, RTP, RTSP, RTCP, DNS, DDNS, NTP, FTP, UPnP, HTTP, HTTPS, SMTP, 802.1x, SNMP, ONVIF (Profile S), API
 1 RJ45 10M/100M Base-TX Ethernet
 Watermark, IP Address Filtering, Tampering Alarm, Access Policy, ARP Protection, RTSP Authentication, User Authentication
 IR Range of 30 Mtr., Smart IR
 Up to 8 OSDs
 Digital De-Fog
 -30°C ~ +60°C (-22°F ~ 140°F)
 10%~95% RH (non-condensing)
 12 V DC±25%, PoE (IEEE802.3 af)
 Max 5.5 W
 IP66



 **CP- VNC-T41R3-D****4 MP Full HD Array Bullet Camera - 30Mtr.****Feature**

Dimension

Weight

Specification

167.3 × 62.9 × 62.7 mm (6.6" × 2.5" × 2.5")

0.25 kg