

# JF545 Main Features

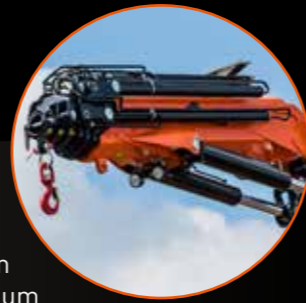


## MAIN BOOM

6 telescopic sections, 360-degrees continuous rotation, max lifting capacity of 15.5 ton

## 3 ton HYDRAULIC JIB

6 telescopic sections, maximum working height 30 m, maximum outreach of 28 m, 20° negative angle



## REMOVABLE COUNTERWEIGHT

With automatic dismantling system



## ADDITIONAL ELECTRIC ENGINE

Possibility of working indoor silently and without any kind of emission



## MEWP AND MAN BASKET

To be installed respectively on main boom and jib



## X-PATTERN OUTRIGGERS

With hydraulic rotation between 0° and 45° and endless operational configurations



## PICK & CARRY

Thanks to the sturdy crawlers

## STABILISATION SYSTEM

5 stability levels, endless operating configurations



## USER-FRIENDLY RADIO REMOTE CONTROL

It allows the single operator to easily manage all crane's movements, in complete safety



# JF545



Jekko srl  
Via Campardone, 1 - 31014 Colle Umberto (TV) Italy  
info@jekko.it - www.jekko-cranes.com

Product Catalog

# JF545

**max** 15500 kg

**max** 5,4 x 1,8 x 2,8 m

**max** 30 m with jib

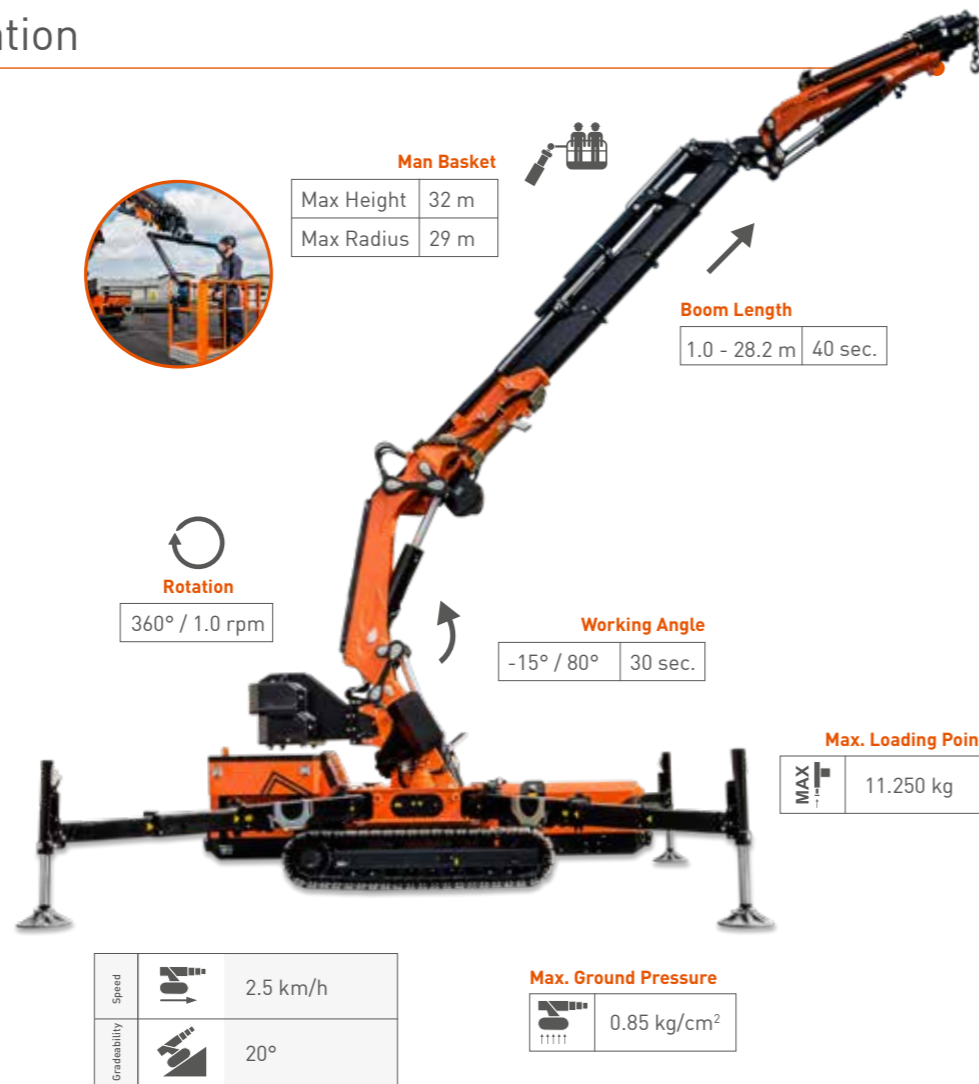
**max** 28 m with jib

This model combines an articulated truck loader crane with a self-propelled crawler chassis. It offers a glimpse into the future of crawler cranes.

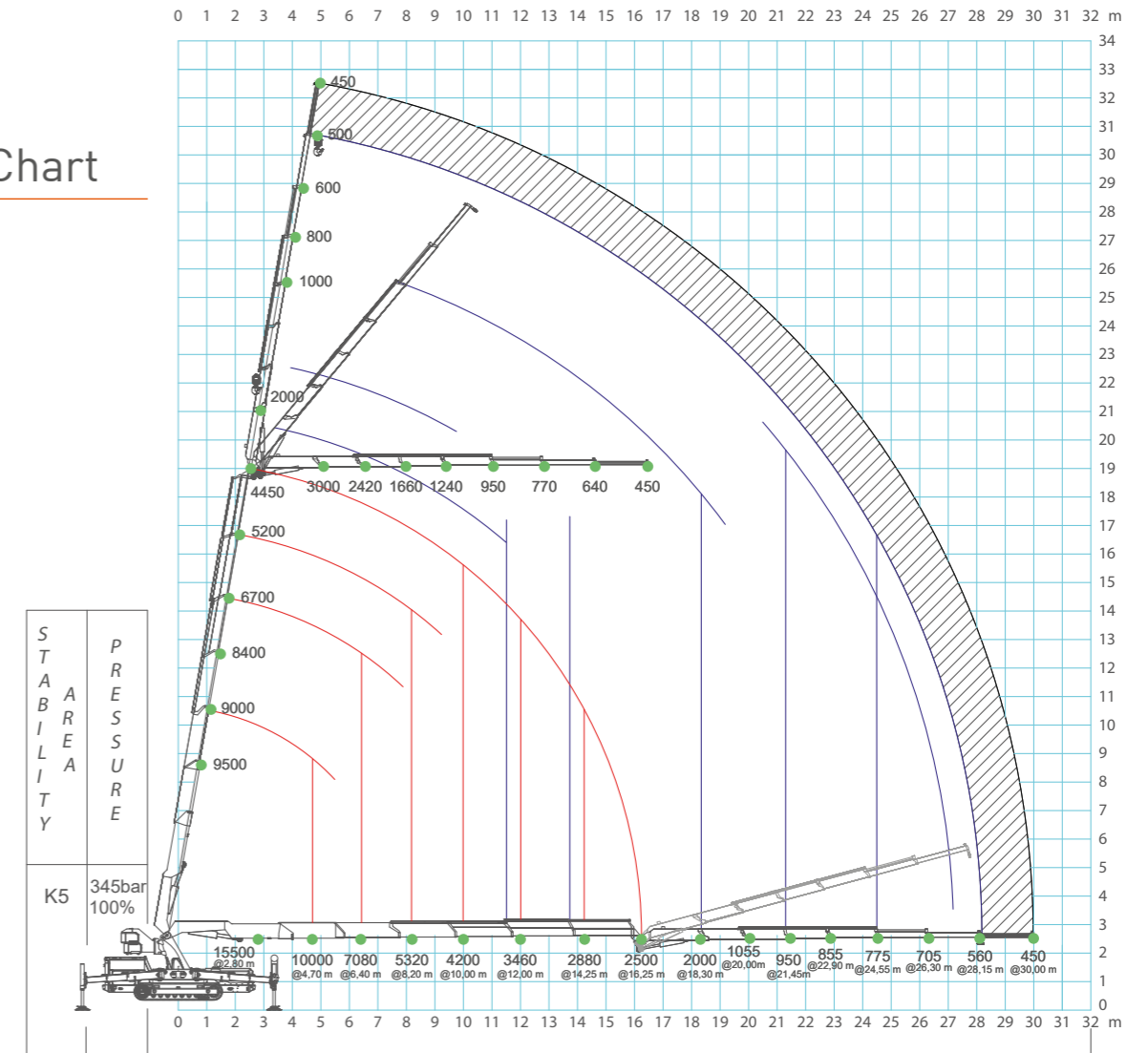


## Technical Information

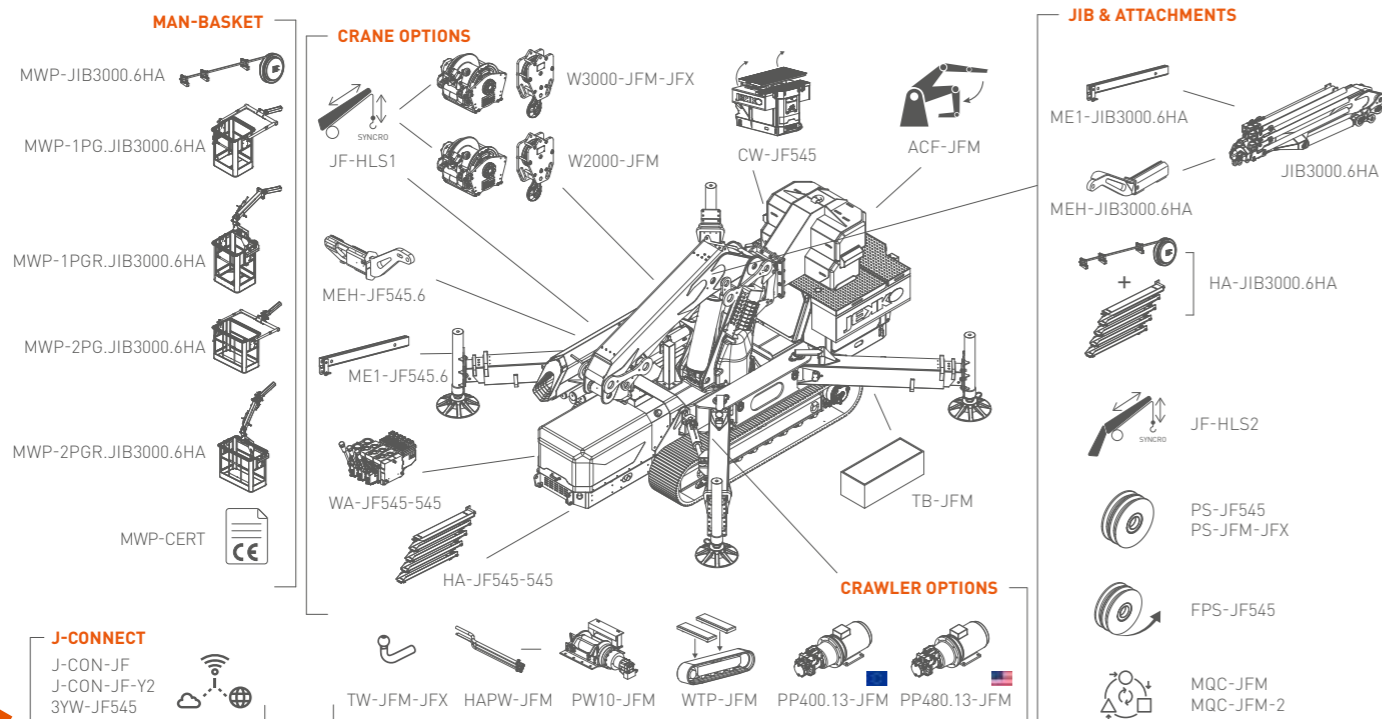
Dimensions	L x W x H	5,4 x 1,8 x 2,8 m
Footprint	Min	4,25 x 4,25 m
	Max	6,7 x 6,7 m
Crane & Options Weights		Kg
	JF545	13500
	Counterweight	3500
	Pulley Block	60
	Winch	200
	Power Pack	80
	JIB3000.6HA	1200
	Basket	200
Winch	2000 kg single line 60 m - Ø 12 mm	
	3000 kg single line 60 m - Ø 14 mm	
JF545	Diesel Engine KUBOTA V3307-CR-TE4B	55.4 kW 74 Hp
	Electric Power Pack 400V-3F	13 kW 17,4 Hp



## Load Chart



## Crane Options



## Dimensions & Footprint

