

UG65

LoRaWAN®

Gateway



powered by  Milesight

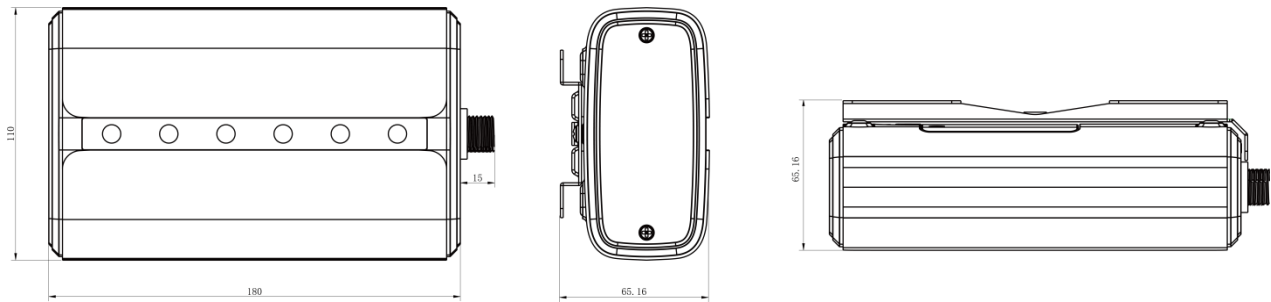
◆ Introduction

UG65 is a robust 8-channel indoor LoRaWAN® gateway. Adopting SX1302 LoRa chip and high-performance quad-core CPU, UG65 supports connection with more than 2000 nodes. UG65 has line of sight up to 15 km and can cover about 2 km in urbanized environment, which is ideally suited to smart office, smart building and many other indoor applications. UG65 supports Ethernet, Wi-Fi and cellular Internet connection.

◆ Features

- Quad-core industrial processor with big memory
- IP65 enclosure and industrial design
- Desktop, wall or pole mounting (optional)
- Ethernet, cellular (4G/3G) and Wi-Fi

◆ Dimensions (mm)



◆ Specifications

Hardware System

CPU	Quad-core 1.5 GHz, 64-bit ARM Cortex-A53
Memory	512 MB DDR4 RAM
Flash	8 GB eMMC

LoRaWAN

Antenna	1 × External Antenna
Channel	8 (Half/Full-duplex)
Frequency Band	CN470/IN865/EU868/RU864/US915/AU915/KR920/AS923/AS923-2
Sensitivity	-140dBm Sensitivity @292bps
Output Power	27dBm Max
Protocol	V1.0 Class A/Class B/Class C and V1.0.2 Class A/Class B/Class C

Ethernet Interface

Port	1 × RJ45 (PoE PD supported)
Physical Layer	10/100/1000 Base-T (IEEE 802.3)
Data Rate	10/100/1000 Mbps (Auto-Sensing)
Interface	Auto MDI/MDIX
Mode	Full or Half Duplex (Auto-Sensing)

Wi-Fi Interface

Antenna	Internal Antenna
Standards	IEEE 802.11 b/g/n, 2.4GHz
Mode	AP or Client mode
Security	WPA/WPA2 authentication, WEP/TKIP/AES encryption
Tx Power	802.11b: 18 dBm +/-2.0 dBm (11 Mbps) 802.11g: 15 dBm +/-2.0 dBm (6 Mbps) 802.11g: 15 dBm +/-2.0 dBm (54 Mbps)

802.11n@2.4 GHz: 14 dBm +/-2.0 dBm (MCS0_HT20)

802.11n@2.4 GHz: 14 dBm +/-2.0 dBm (MCS7_HT20)

802.11n@2.4 GHz: 13 dBm +/-2.0 dBm (MCS0_HT40)

802.11n@2.4 GHz: 13 dBm +/-2.0 dBm (MCS7_HT40)

Cellular Interface (Optional)

Antenna Internal Antenna

SIM Slot 1 (mini SIM-2FF)

Others

Reset Button 1 × RST

LED Indicators 1 × POWER, 1 × STATUS, 1 × LoRa, 1 × Wi-Fi, 1 × LTE, 1 × ETH

Software

Network Protocols PPPoE, SNMP v1/v2c/v3, TCP, UDP, DHCP, DDNS, HTTP, HTTPS, DNS, ARP, SNTP, Telnet, SSH, MQTT, etc.

Firewall ACL/DMZ/Port Mapping/MAC Binding/URL Filter

Management Assek DeviceHub

Reliability WAN Failover

Power Supply and Consumption

Power Input 1. DC Jack Connector for 9-24 VDC power supply
2. 1 × 802.3af PoE input

Power Consumption Typical 2.9 W, Max 4.2 W

Physical Characteristics

Ingress Protection IP65

Dimensions 180 x 110 x 56.5 mm (7.09 x 4.33 x 2.22 in)

Installation Desktop, Wall or Pole Mounting

Environmental

Operating -40°C to +70°C (-40°F to +158°F)

Temperature Reduced Cellular Performance Above 60°C

Storage Temperature -40°C to +85°C (-40°F to +185°F)

Ethernet Isolation 1.5 kV RMS

Relative Humidity 0% to 95% (non-condensing) at 25°C/77°F