

2016 SCHEDULE (39-19, 13-11 Pac-12)

FEBRUARY		(11-5)
11	Southern Utah!	W, 10-2 (5)
12	Southern Utah!	W, 10-0 (5)
12	North Texas!	W, 9-1 (6)
13	Purdue!	W, 11-1 (5)
13	Nebraska Omaha!	W, 12-2 (5)
14	UC Santa Barbara!	W, 11-6
19	(4) <i>LSU#</i>	W, 3-0
20	<i>Central Michigan#</i>	L, 4-1
20	(15) <i>UCF#</i>	W, 19-4 (6)
21	(25) <i>Texas A&M#</i>	L, 8-4
21	<i>Cal Poly#</i>	L, 2-0
26	<i>Marshall\$</i>	W, 7-6
26	@ (4) <i>Alabama\$</i>	L, 4-3
27	(14) <i>Tennessee\$</i>	W, 1-0
27	@ (4) <i>Alabama\$</i>	L, 9-1 (6)
28	<i>Marshall\$</i>	W, 6-3
MARCH		(11-5)
3	BYU%	L, 4-2
4	Mount St. Mary's%	W, 16-5 (5)
4	BYU%	W, 6-3
5	St. Francis%	W, 6-4
5	UTEP%	W, 9-1 (6)
6	(10) James Madison%	L, 4-2
9	(9) James Madison	L, 6-1
11	<i>Samford^</i>	Canceled
12	(RV) <i>Texas^</i>	W, 3-2 (8)
12	at (RV) <i>UT Arlington^</i>	W, 11-0 (5)
13	<i>Samford^</i>	W, 3-0
18	@ (21) <i>Arizona State* (P12)</i>	W, 2-0
19	@ (21) <i>Arizona State* (P12)</i>	W, 5-4
20	@ (21) <i>Arizona State* (P12)</i>	L, 3-2
24	(RV) Utah* (P12)	W, 3-1
25	(RV) Utah* (P12)	L, 7-3 (9)
26	(RV) Utah* (P12)	W, 5-4
APRIL		(10-6)
2	@ (11) <i>Washington* (P12)</i>	W, 8-4
3	@ (11) <i>Washington* (P12)</i>	L, 6-2
4	@ (11) <i>Washington* (P12)</i>	L, 5-1
6	New Mexico State	W, 6-1
6	New Mexico State	W, 8-2
8	Houston	W, 4-3
9	Houston	W, 11-2 (5)
9	Houston	W, 7-4
15	@ <i>Stanford* (P12)</i>	W, 5-3
16	@ <i>Stanford* (P12)</i>	W, 6-1
17	@ <i>Stanford* (P12)</i>	W, 8-0 (5)
23	(15) UCLA* (ESPN2)	L, 8-6
24	(15) UCLA* (ESPN2)	W, 8-4
25	(15) UCLA* (P12)	L, 8-7
29	@ (5) <i>Oregon* (P12)</i>	L, 2-0
30	@ (5) <i>Oregon* (P12)</i>	L, 7-0
MAY		(7-3)
1	@ (5) <i>Oregon* (ESPN2)</i>	L, 8-0 (5)
6	Oregon State* (P12)	W, 6-0
7	Oregon State* (P12)	L, 2-1
8	Oregon State*	W, 10-1 (5)
12	California* (P12)	W, 8-0 (5)
13	California* (P12)	L, 5-3
14	California* (P12)	W, 11-2 (6)
20	<i>Ohio State& (ESPNU)</i>	W, 2-0
21	@ (11) <i>Tennessee& (ESPN)</i>	W, 4-0
22	@ (11) <i>Tennessee& (SECN)</i>	W, 4-3 (8)
28	@ (5) <i>Auburn~ (ESPN2)</i>	5:30 p.m.
29	@ (5) <i>Auburn~ (ESPN)</i>	1:00 p.m.
29	@ (5) <i>Auburn~ (ESPNU)</i>	4:00 p.m.
JUNE		(0-0)
2-8	Women's College World Series	

Home; Neutral site; (N) FCA Ranking

! - Hillenbrand Invitational // Tucson, Ariz.

- Mary Nutter Collegiate Classic // Palm Springs, Calif.

\$ - Easton Bama Bash // Tuscaloosa, Ala.

% - Wildcat Classic // Tucson, Ariz.

^ - Maverick Classic // Arlington, Texas

& - NCAA Regional // Knoxville, Tenn.

~ - NCAA Super Regional // Auburn, Ala.

* - Pac-12 Game; () - TV Provider

Times local to site



ARIZONA SOFTBALL™

@UA_SOFTBALL

8 NATIONAL CHAMPIONSHIPS
 10 CONFERENCE CHAMPIONSHIPS
 22 WOMEN'S COLLEGE WORLD SERIES APPEARANCES
 30 CONSECUTIVE NCAA TOURNAMENT APPEARANCES
 95 ALL-AMERICANS

SID CONTACT: DANNY MARTINEZ (DANNY.MARTINEZ@ARIZONA.EDU // 520-621-0084)

NCAA SUPER REGIONAL
 MAY 28-29 // AUBURN, ALA.

#18 ARIZONA
 Record: 39-19
 Pac-12: 13-11 (5th)

Team Avg: .297
 Home Runs: 67
 Team ERA: 2.62
 Team Fld%: .964



#5 AUBURN
 Record: 52-9
 SEC: 16-7 (4th)

Team Avg: .329
 Home Runs: 79
 Team ERA: 2.15
 Team Fld%: .969

THE GAMES

Date	Time (MST)	(Seed) Opponent	Location	T.V.
Saturday, May 28	3:30 p.m.	(4) Auburn	Jane B. Moore Field	ESPN2
Sunday, May 29	11:00 a.m.	(4) Auburn	Jane B. Moore Field	ESPN
Sunday, May 29	(If necessary)	(4) Auburn	Jane B. Moore Field	ESPNU

FOLLOW THE CATS

TV: ESPN Family of Networks (Tiffany Greene and Jenny Dalton-Hill)
 Live Stats: ncaa.com/interactive-bracket/softball/d1
 Live Updates: Twitter: @UA_Softball

THIS WEEK: Best 2-of-3 for a trip to Oklahoma City. It's that simple for the Wildcats (39-19) and the fourth-seeded Tigers (52-9) when they meet this weekend in Auburn, Alabama. Arizona is eyeing its 23rd Women's College World Series and ninth national title, but the Wildcats have not been in this role since the program's first National Championship in 1991: the underdog.

The Wildcats advanced to super regionals of the tournament for the 11th time in the 12 seasons since the NCAA Super Regional round was created in 2005, but this marks the first time the Wildcats have done it as an unseeded team. Arizona is attempting to become the second unseeded team since 2009 to advance to the Women's College World Series while winning on the road for both regionals and super regionals. Arizona is trying to become the first team ever to win at SEC-hosted regionals and super regionals to advance to the WCWS. Since 2009, just four unseeded teams have made it to the Women's College World Series.

Both Arizona and Auburn went 3-0 in the Regional, though the roads were drastically different. Auburn defeated Jacksonville State twice and USC Upstate to advance to super regionals while Arizona needed two wins vs. the No. 13 seed Tennessee as well as a victory over Ohio State to open play.

The key to winning according to Arizona head coach Mike Candrea? "Good pitching, good defense and timely hitting." The Wildcats gave him just that in Knoxville, posting a 0.95 team ERA, a .989 fielding percentage and scoring 10 key runs, nine of which occurred in the fourth inning or later, in three close, low-scoring affairs.

Danielle O'Toole was a workhorse, throwing 19.1 of Arizona's 22 innings, 16 of which occurred in 31-hour stretch between Saturday morning and Sunday afternoon. She threw a two-hit shutout vs. Ohio State to open the regional before throwing a one-hitter vs. Tennessee in game 2 in which she retired the final 21 batters of the game. O'Toole posted a 1.09 ERA and a .109 opponent batting average.

LEADING OFF

- Danielle O'Toole leads the Pac-12 with 25 victories and Katiyana Mauga is tied for the league lead with 21 home runs. The Wildcats are just one of two teams (Georgia) with a 20-win pitcher and 20-home run hitter. O'Toole and Mauga are Arizona's first 20-homer, 20-win teammates since 2011 (Kenzie Fowler and Stacie Chambers).
- With two home runs vs. Cal, Mauga crossed the 20-homer plateau for the third consecutive year, making her the only player in NCAA history to hit at

NUMBERS TO KNOW

20

Junior Katiyana Mauga has hit 67 home runs in her career, already sixth in a career in school history. She is the only player in NCAA history to hit 20-or-more home runs in her freshman, sophomore and junior seasons.

30

Arizona is making its 30th consecutive trip to the NCAA Tournament, the longest active streak in the country and tied for the longest streak in the sport's history.

25

Danielle O'Toole leads the Pac-12 in victories with 25. They are the most victories by any Wildcat since Kenzie Fowler's 26 in 2011.

.241

Arizona pitchers limited Pac-12 opponents to a league-low .241 batting average in conference play. Arizona's 3.33 team ERA in Pac-12 play was second in the conference.

QUICK FACTS/NOTES

GENERAL INFORMATION

Location Tucson, Ariz.
 Enrollment40,200
 Nickname Wildcats
 Colors Cardinal and Navy
 Conference..... Pac-12
 Home Field..... Hillenbrand Stadium (2,956)
 President..... Ann Weaver Hart
 Athletics Director..... Greg Byrne
 Faculty Representative..... Jory Hancock
 SWA/Senior Assoc. A.D. Erica Barnes

COACHING STAFF

Head Coach **Mike Candrea**
 Alma Mater Arizona State '78
 Year at Arizona..... 31st year
 Division I Record 1,467-377-2
 Record at Arizona Same
 Phone..... (520) 621-4920
Associate Head Coach..... **Stacy Iveson**
 Alma Mater Arizona '90
 Year at Arizona..... 12th year (96-01, 12-16)
 Phone..... (520) 621-8208
Assistant Coach..... **Caitlin Lowe**
 Alma Mater Arizona '07
 Year at Arizona..... 4th Year
Volunteer Assistant Coach..... **Shelby Babcock**
 Alma Mater Arizona '15
 Year at Arizona..... 1st year

2015 IN REVIEW

2015 Record..... 41-20
 2015 Pac-12 finish 13-11 // 3rd
 2015 Postseason record 3-3
 Postseason finish .Baton Rouge Super Regional (0-2)

2016 PREVIEW**All-America Returnees**

3rd Team OF Katiyana Mauga

All-Pac-12 Returnees

2nd Team OF Katiyana Mauga
 Position Starters Returning/Lost..... 5/4
 Pitchers Returning/Lost 2/2
 Letterwinners returning/Lost..... 10/8

COMMUNICATIONS SERVICES

Communications Services Director ... Jeremy Sharpe
 Softball Contact Danny Martinez
 Email..... danny.martinez@arizona.edu
 Cell Phone (520) 409-1810
 Media Relations Phone..... (520) 621-4163
 Media Relations Fax..... (520) 621-2681
 Media Relations Mailing Address
 Danny Martinez
 McKale Center, Room 106
 University of Arizona
 Tucson, AZ 85721-0096
 Press Box Phone (520) 621-7496

INTERVIEW POLICY

Practice: Players and coaches are available to the media 30 minutes prior to the start of each practice. Contact Danny Martinez for practice times.

Post Game: Players and coaches are available on the field after each home game. Find Danny Martinez with interview requests. Players are available only after game two of a doubleheader.

least 20 home runs in each of her first three seasons. Her 67 career home runs are already sixth in Arizona history and top-30 in NCAA history with an entire year of eligibility remaining.

- Since being shutout in a three-game sweep at Oregon April 29-May 1, Arizona seems to be playing its best softball of the season. Arizona is 7-2 in its last nine games (all against tournament teams), outscoring Oregon State, California, Ohio State and Tennessee 49-13 in the process. Danielle O'Toole is 7-0 in that span with a 0.99 ERA, 44 strikeouts and six walks in 42.1 innings pitched.
- Mo Mercado has had the hot stick at the plate for the Cats recently. The junior is on an eight-game hitting streak entering the weekend, hitting .500 in the 24 at-bats in the span.
- Arizona's walkoff victory last Sunday marked the second consecutive season Arizona has walked off in eight innings with a regional championship. Last season, Kellie Fox's single to score Chelsea Suitsos in the bottom of the eighth gave Arizona a 7-6 walkoff win over Minnesota. This year, UA defeated host Tennessee when Tamara Statman singled home Nancy Bowling to send the Cats to supers.
- Head coach Mike Candrea was named the Pac-12 Coach of the Century as a part of the Pac-12 All-Century Softball team. Arizona placed 11 players on the 30-player team: Leah Braatz (C), Amy Chellevoid (1B), Jenny Dalton (2B), Laura Espinoza (SS), Caitlin Lowe (OF), Leah O'Brien (OF), Alison McCutcheon (OF), Jennie Finch (P), Nancy Evans (P), Susie Parra (P) and Alicia Hollowell (P).
- Candrea sits at 1,467 career victories, recently surpassing legendary Fresno State coach Margie Wright for second in NCAA history. Candrea, who already held the record for the NCAA Division I victories and wins at one school entering the year, now trails only Michigan's Carol Hutchins for the overall NCAA lead. Hutchins, in her 35th year, has won 1,480.
- Though the accomplishments of all three coaches are terrific, there are some factors that make Candrea's 1,467 victories stand out. His win total has come in 28-plus years of coaching (Arizona's 2004 and 2008 win totals do not count toward Candrea's record as he was coaching Team USA) while Wright's 1,457 victories took 33 years to accomplish and Hutchins is in her 35th year of coaching. Additionally, both Wright (Illinois State) and Hutchins (Ferris State) spent time in lower NCAA divisions. Each of Candrea's 1,467 career victories have come at Arizona, making him the winningest coach in NCAA Softball Division I history.
- Katiyana Mauga is tied for the conference lead and tied for fourth in the NCAA with 21 home runs. Ten of Mauga's 21 home runs this season have either tied the game or given Arizona the lead. She has two walkoff homers this season.
- Arizona's pitchers have posted a 2.62, which would be the program's lowest since 2010 (2.19). Danielle O'Toole is second in the Pac-12 with a 2.04 ERA, which would be the lowest since Kenzie Fowler's 1.53 figure in 2010.
- Danielle O'Toole threw shutouts vs. No. 11 Tennessee (4-0), No. 14 Tennessee (1-0) and No. 4 LSU (3-0), making her the first Wildcat to throw multiple seven-inning shutouts vs. top-15 opponents since Taryne Mowatt memorably did so in 2007.
- O'Toole leads the conference in complete games (23) and shutouts (9).
- The Wildcat pitching has taken a lot of pressure off the offense, which lost its top four hitters from an offense that was fourth in the NCAA in home runs (104), fifth in batting average (.351), sixth in slugging percentage (.603) and seventh in runs/game (7.56) in 2015. Arizona is 33-3 when scoring more than three runs.

PROBABLE STARTERS

1. Mandie Perez	LF
2. Ashleigh Hughes	2B
3. Mo Mercado	SS
4. Katiyana Mauga	3B
5. Nancy Bowling	1B
6. Lauren Young	C
7. Tamara Statman	DP
8. Alexis Dotson	RF
9. Eva Watson	CF
Danielle O'Toole P	

ARIZONA IN THE NCAA TOURNAMENT: Arizona has been selected for every NCAA Tournament since 1987, Mike Candrea's second year on campus. The 30-year streak is the longest active streak in the country and tied for the longest in the sport's history. UA won its 27th Regional Championship with its three wins in Knoxville. Arizona is 161-51 all-time in the NCAA Tournament. UA is in search of its 23rd Women's College World Series berth and ninth NCAA Championship.

ARIZONA IN NCAA SUPER REGIONALS: The Wildcats have advanced to 11 of the 12 super regionals since they began in 2005, with their only miss coming in 2013. Arizona is 12-11 in the round and has advanced out six of its previous 11 trips, but none since 2010. Arizona is 0-8 in its last four super regional appearances. Most recently, the Wildcats dropped two games vs. LSU at the 2015 Baton Rouge Super Regional (8-0, 10-5).

SCOUTING THE TIGERS: Fifth-ranked Auburn (52-9, 16-7 SEC) balances a powerful offense with a deep and talented pitching staff ... The Tigers rank second in the NCAA in scoring (8.31 runs/game) and 16th in ERA (2.15) ... Auburn's 79 home runs are eighth most nationally and the Tigers have three players with more than 10 homers ... The Tigers have five pitchers with more than 50 innings, three of whom have ERA under 2.1 ... The pitching staff has low strikeout (4.8 K/7 IP) and high walk (2.7 BB/7IP) numbers but has limited opponents to just a .215 average and allowed only 32 home runs ... Kasey Cooper (.431 avg, 17 2B, 19 HR, 75 RBI, .906 slg, 63 BB), Emily Carosone (.406 avg, 11 2B, 12 HR, 58 RBI) and Tiffany Howard (.404 avg, 11 SB) lead one of the nation's top offenses ... Auburn had an up and down finish to the season, losing four of the final five regular season games, including two run-rule defeats to Tennessee, before rebounding to win the SEC Tournament Championship.

ARIZONA vs. AUBURN: Arizona and Auburn have met four times in the schools' history, with Arizona winning three of four from the Tigers.

EXPANDED ARIZONA HOME RUNS LISTSSeason Home Run Records

1. Laura Espinoza rh	37	1995
2. Stacie Chambers lh	31	2009
3. Laura Espinoza rh	30	1994
4. Jenny Dalton rh	28	1995
5. Katiyana Mauga rh	26	2015
6. Jenny Dalton rh	25	1996
Leah Braatz rh	25	1998
Toni Mascarenas rh	25	2001
Lovianne Jung rh	25	2003
10. Chelsea Goodacre lh	24	2015
11. Jenae Leles rh	23	2009
12. Chelsea Goodacre lh	22	2014
13. Leah Braatz rh	21	1995
Leah Braatz rh	21	1997
Leneah Manuma lh	21	2002
Stacie Chambers lh	21	2010
Brigitte Del Ponte rh	21	2010
KATIYANA MAUGA rh	21	2016
19. Leticia Pineda rh	20	1998
Mackenzie Vandergeest rh	20	2001
Stacie Chambers lh	20	2011
Katiyana Mauga rh	20	2014
23. Leneah Manuma lh	19	2001
Shelby Pendley lh	19	2012
25. Leah Braatz rh	18	1994
26. Jenae Leles rh	17	2008
Brittany Lastrapes lh	17	2009
Lini Korja rh	17	2010
Brigitte Del Ponte rh	17	2011
Chelsea Goodacre lh	17	2013
Hallie Wilson lh	17	2014
32. Jenny Dalton rh	16	1994
Leticia Pineda rh	16	1997
Lindsey Collins rh	16	2000
Jennie Finch rh	16	2000
Jennie Finch rh	16	2002
Lovie Jung rh	16	2002
Sam Banister rh	16	2009
Brittany Lastrapes lh	16	2010
Lini Korja rh	16	2011
Lini Korja rh	16	2012
42. Kristie Fox rh	15	2006
Kristie Fox rh	15	2007
Callista Balko rh	15	2008
Stacie Chambers lh	15	2008
Laine Roth rh	15	2008
Brigitte Del Ponte rh	15	2012
Kellie Fox rh	15	2014
Kellie Fox rh	15	2015

Career Home Run Records

1. Stacie Chambers lh	87	08-11
2. Laura Espinoza rh	85	92-95
Leah Braatz rh	85	94-98
4. Jenny Dalton rh	76	93-96
5. Chelsea Goodacre lh	71	12-15
6. KATIYANA MAUGA rh	67	14-
7. Lini Korja rh	61	09-12
8. Mackenzie Vandergeest rh	59	01-04
Brigitte Del Ponte	59	10-13
10. Jenae Leles rh	57	06-09
11. Leticia Pineda rh	52	95-98
Jackie Coburn rh	52	02-05
13. Brittany Lastrapes lh	51	08-11
14. Jennie Finch rh	50	99-02
15. Kristie Fox rh	48	04-07
16. Toni Mascarenas rh	43	98-01
Callista Balko rh	43	05-08
18. Lindsey Collins rh	41	98-01
Lovianne Jung rh	41	02-03

Freshman Home Run Records

1. Brigitte Del Ponte rh	21	2010
2. Mackenzie Vandergeest rh	20	2001
Katiyana Mauga rh	20	2014
3. Leneah Manuma lh	19	2001
Shelby Pendley lh	19	2012
5. Leah Braatz rh	18	1994
6. Stacie Chambers lh	15	2008

HEAD COACH MIKE CANDREA: Arizona head coach Mike Candrea is in his 31st year at the helm of the Arizona softball program with a career record of 1,467-377-2 (.795). A winner of eight national championships (1991, 1993, 1994, 1996, 1997, 2001, 2006, 2007), Arizona has made 22 trips to the Women's College World Series under his guidance, missing just six times in the last 27 years (2004, 2011-2015). On Feb. 27, 2015 vs. UTEP, Candrea became the sport's fastest ever coach, and second all-time, to reach 1,400 wins; Candrea is the sport's Division I wins leader. Under Candrea, Arizona has a spectacular postseason record of 161-54. Fifty-four All-Americans with a staggering 95 total citations have played in the program since Candrea took over.

Winningest NCAA Softball Coaches

1. Carol Hutchins (Ferris State 1982; Michigan 1983-)*	1,480-476-4 (.755)
2. Mike Candrea (Arizona 1986-2003, 05-07, 09-)*	1,467-377-2 (.795)
3. Margie Wright (Illinois State 1980-85; Fresno State 1886-2012)	1,457-542-3 (.729)

Winningest Coaches (All Sports - Division I only)

1. Mike Martin, baseball (Florida State 1980-)*	1,891-668-4 (.740)
2. Augie Garrido, baseball (CSFU 1975-87; Ill. 1988-1990; CSFU 1991-96; Texas 1997-)*	1,854-866-2 (.685)
3. Gene Stephenson, baseball (Wichita State 1978-2013)	1,837-675-3 (.731)
4. Mark Marquess, baseball (Stanford 1977-)*	1,580-860-7 (.654)
5. Jim Morris, baseball (Georgia Tech 1982-93; Miami FL 1994-)*	1,513-655-4 (.694)
6. Mike Candrea, softball (Arizona 1986-2003, 05-07, 09-)*	1,467-377-2 (.795)

*Active coach

THE RANKINGS: Arizona remained No. 18 in the USA Today/NFCA Top 25 and fell one spot to No. 22 in the ESPN.com/USA Softball Top 25. The Wildcats are 22nd in this week's NCAA RPI. The full rankings and a breakdown by week can be found on page 6.

WHO'S HOT?

Danielle O'Toole: In her last seven starts, O'Toole is 7-0 with six complete games, including four shutouts. She has a 0.99 ERA and 44 strikeouts compared to six walks over the 42.1 innings. O'Toole won the final two Pac-12 Pitcher of the Week awards of the season.

Nancy Bowling: The junior has made a triumphant return to the lineup the last two weeks. A pinch-hit grand slam in game 1 of Arizona's final regular season series vs. Cal paved the way for Bowling's return as Arizona's everyday first baseman. Entering the series, Bowling was hitting .194 on the season. Since, Bowling is hitting .538 with two homers and eight RBI. She led the Cats with a .500 average and .600 on-base percentage in the regionals.

Katiyana Mauga: The junior led the team in batting average (.338), home runs (8), RBI (22), slugging percentage (.738) and walks (15) in Pac-12 play.

Mo Mercado: After starting Pac-12 play 0-for-19, Mercado is on a tear. In 76 at-bats in the 26 games since, Mercado is hitting .421 with three doubles, two home runs and 17 RBI. Mercado leads the team in multi-hit games (21). The junior is on a career-long-tying hitting streak of eight games and hitting .500 in the process.

Lauren Young: Arizona's lone senior is making the most out of the stretch run of her career. Young, who hit .239 over UA's first 33 games of 2016, is hitting .343 in the last 25.

A WEEKEND TO REMEMBER: After taking a medical redshirt in 2015 and wondering if she'd ever find herself on a softball field again, Nancy Bowling made a valiant comeback in 2016 and was essential to Arizona's early season success as UA's every day first baseman. However, Bowling fell into a slump and assumed a bench role prior to the start of Pac-12 play, seeing the occasional pinch hit appearance.

Two weeks ago, Bowling began her weekend by receiving her degree at Arizona's first ever Student Athlete Convocation on Thursday morning. That night, Bowling hit her first home run since Feb. 28, a pinch-hit grand slam. On Friday, Bowling threw four innings of scoreless relief. On Saturday, Bowling, who had returned to the starting lineup after her grand slam, went 2-for-2 with a three-run home run. She was named Pac-12 Player of the Week to cap it all off.

She kept it going this weekend by leading the team in hitting (.500) at the regional and scored the winning run in the championship game. Coach Candrea called her the team's "spark" after Sunday's game vs. Tennessee.

FIFTH INFIELDER: Danielle O'Toole is fourth on the team with 63 assists defensively. Her 63 assists are the most by a Wildcat pitcher since Carrie Dolan's 72 in 1997.

PLEASE, NO WALKING: Arizona's pitchers have done a great job limiting the free passes, which is a breath of fresh air considering UA's recent history in that department. In the last five years, coincidentally the same time frame in which Arizona has not appeared in the Women's College World Series, Arizona walked five batters per seven innings. In 2016, Arizona is walking 2.0 batters per seven innings.

JUNIOR WILDCAT CLUB: Eight of Arizona's 17 healthy players are juniors this season, including three red-shirt juniors. Arizona's top five hitters (by batting average) and three of Arizona's four pitchers are juniors.

TOOL TIME: Danielle O'Toole has faced three of the SEC's top teams this season (Alabama, Tennessee and LSU). In 32.2 innings pitched, she has posted a 0.64 ERA. In those five games, O'Toole is 4-1 with three shut-outs, a .145 batting average against, 33 strikeouts and just eight walks.

2016 HONORS AND AWARDS (by award)All Pac-12

Katiana Mauga (First Team)
 Danielle O'Toole (First Team)
 Mandie Perez (First Team)
 Mo Mercado (Second Team)
 Taylor McQuillin (Third Team)

Pac-12 All-Freshman

Joelle Krist
 Taylor McQuillin

Pac-12 All-Defensive

Mo Mercado
 Danielle O'Toole

NFCA All-Region

Danielle O'Toole (First Team)
 Mo Mercado (Second Team)
 Mandie Perez (Second Team)

Pac-12 Pitcher of the Week

Danielle O'Toole (2/15-21)
 Taylor McQuillin (3/7-13)
 Danielle O'Toole (3/14-20)
 Danielle O'Toole (5/2-8)
 Danielle O'Toole (5/9-15)

Pac-12 Player of the Week

Nancy Bowling (5/9-15)
 Mo Mercado (2/8-14)

Pac-12 Freshman of the Week

Taylor McQuillin (2/29-3/6)
 Taylor McQuillin (3/7-13)
 Joelle Krist (4/11-17)

Arizona Athletics Junior Female Athlete of the Year

Katiana Mauga

College Sports Madness All-America

Katiana Mauga (Third Team)

College Sports Madness Pac-12 Player of the Week

Mo Mercado (2/8-14)
 Katiana Mauga (2/29-3/6)
 Mo Mercado (4/4-10)

USA Softball Junior Athlete of the Year

Alyssa Palomino

USA Softball Player of the Year Watchlist (50 players)

Katiana Mauga

A HISTORIC PACE: Katiana Mauga has 67 career home runs through just 175 career games played. She recently became Arizona's fastest player to hit 60 home runs. Mauga will now try to become the first junior in Arizona history to reach 70 career homers. As it stands now, Mauga is the seventh player in Arizona history to hit 60 career homers, but just the third to do so during her junior season. Mauga, who remains on pace to challenge both the Arizona record in career homers of 87 the NCAA record of 95, is already fifth among active players in the NCAA in career home runs; she is the only non-senior in the top nine.

POWERFUL, BUT PATIENT: In addition to her home run prowess, Mauga is also drawing a historical number of walks. Mauga's 43 walks this season are second in the Pac-12 and are one shy of cracking the school's top-10 season mark. Additionally, Mauga has drawn 108 career bases on balls, three shy of cracking the career top-10 list. Though the Arizona career record of 178 (Jenny Dalton, 93-96) is likely out of reach, Mauga has a shot to be one of the top-five walk-draw-ers in Arizona history when it's all said and done.

10-10-10: Mandie Perez has double digit doubles (11), home runs (11) and stolen bases (12). She is the first Wildcat in the 10-10-10 club since Brigette Del Ponte in 2012.

SWIPE RIGHT: Arizona has stolen 38 bases this season after averaging 37 total steals over the past three seasons. Two Wildcats, Ashleigh Hughes (12 SB) and Mandie Perez (12 SB) are leading that charge. This marks just the second time since 2008 with multiple players collecting double-digit steals. UA had three in 2012 with Karissa Buchanan (20), Brigette Del Ponte (14) and Chelsea Suitsos (13). Hughes and Perez are in the top 10 in the Pac-12 in stolen bases.

1-0: Arizona defeated 14th-ranked Tennessee 1-0 at the Bama Bash, harkening back to the days of pitching domination in NCAA softball. Arizona has won 110 games by a 1-0 score in school history. Incredibly, it has occurred just twice since 2008 (vs. Tennessee and Feb. 13, 2013 vs. Nebraska).

HOME SWEET HOME: Since its opening in 1993, Arizona has put up a 664-87 record in the friendly confines of Hillenbrand Memorial Stadium. That's an .888 winning percentage at home in the last 23-plus years. Hillenbrand has led the nation in attendance nine times since 1994 and set the NCAA record in attendance in 2011 when 77,129 fans turned the turnstiles (since broken by Alabama). The Cats averaged 2,088 fans per home game, marking the ninth straight season over 2,000 fans. UA has lost just 20 nonconference games in the stadium's 23-plus years; its 403-21 record in such games equates to 96 victories in every 100 games.

KEEPING IT 100: Arizona has reached the century mark in home runs six times in school history, including each of the last two seasons. Only one other school (UTSA) has had more than two seasons of 100-plus homers. There have been 25 seasons of 100 home runs or more in NCAA history and Arizona has six of them. Below are the top 10 seasons in NCAA history:

No.	Team	Home Runs	Year
1.	Hawaii	158	2010
2.	Arizona	134	2009
3.	Arizona	126	2001
4.	Florida	124	2011
5.	Georgia Tech	118	2010
	Michigan	118	2015
7.	La. Lafayette	116	2015
8.	Arizona	109	2014
	Florida	109	2010
10.	UCLA	108	2010

STREAKING INTO THE POSTSEASON: Arizona has appeared in every NCAA Tournament since 1988, Mike Candrea's second year on campus. That's 30 consecutive years in the tournament for Arizona. Not only is that the longest active streak, but it is seven years longer than the second longest streak. Below are the longest active streaks, and total streaks:

No.	Team	Active Streak	No.	Team	Active Streak	Longest Streak
1.	ARIZONA	30 years	1.	ARIZONA	30 years	30 years
2.	Oklahoma	23 years	2.	Fresno State	2 years	30 years
	Washington	23 years	3.	Cal	2 years	28 years
4.	Michigan	22 years	4.	Oklahoma	23 years	23 years
5.	UCLA	18 years		Washington	23 years	23 years
	La-Lafayette	18 years	6.	Michigan	22 years	22 years
	Notre Dame	18 years	7.	UCLA	18 years	18 years
	Alabama	18 years		La-Lafayette	18 years	18 years
9.	Florida State	17 years		Notre Dame	18 years	18 years
10.	Texas A&M	15 years		Alabama	18 years	18 years
	Georgia	15 years				

BEATING THE BEST: Since 1994, Arizona is 543-243-1 (.700) against ranked competition, 256-161 (.624) against top-10 teams and 128-110 (.549) against top-five teams.

FOLLOW THE TEAM: Be sure to follow the Wildcats on their various social media platforms. To stay up-to-date on all the latest happenings with the team, follow Arizona softball on Twitter, Instagram and Snapchat (@UA_Softball).

UP NEXT: The winner of the Auburn Super Regional earns a ticket to the Women's College World Series in Oklahoma City. The WCWS takes place from June 2-8 at ASA Hall of Fame Stadium.

2015 Arizona Softball
Overall Statistics for Arizona (as of May 24, 2016)
(Super Regional Sorted by Batting avg)

Record: 0-2 Home: 0-0 Away: 0-2 Pac-12: 0-0

Player	avg	gp-gs	ab	r	h	2b	3b	hr	rbi	tb	slg%	bb	hp	so	gdp	ob%	sf	sh	sb-att	po	a	e	fld%
5 Wilson, Hallie	.500	2-2	6	1	3	0	0	0	0	3	.500	1	0	0	0	.571	0	0	0-0	13	0	0	1.000
55 Perez, Mandie	.500	2-2	6	0	3	1	0	0	0	4	.667	0	0	1	0	.500	0	0	0-0	0	0	0	.000
3 Suitsos, Chelsea	.500	2-2	2	2	1	0	0	0	0	1	.500	1	0	0	0	.667	0	3	0-0	4	0	0	1.000
14 Watson, Eva	.333	1-1	3	1	1	0	0	0	0	1	.333	0	0	1	0	.333	0	0	0-0	4	0	0	1.000
29 Fox, Kellie	.250	2-2	4	0	1	0	1	0	1	3	.750	2	0	0	0	.500	0	0	0-0	2	10	1	.923
34 Mauga, Katiyana	.000	2-2	6	0	0	0	0	0	2	0	.000	0	0	1	0	.000	0	0	0-0	0	0	0	.000
11 Mercado, Mo	.000	2-2	6	0	0	0	0	0	0	0	.000	0	0	1	0	.000	0	0	0-0	2	4	0	1.000
9 Young, Lauren	.000	2-2	5	0	0	0	0	0	0	0	.000	0	0	0	0	.000	0	0	0-0	2	2	0	1.000
77 Goodacre, Chelsea	.000	2-2	3	0	0	0	0	0	2	0	.000	2	0	0	0	.333	1	0	0-0	4	0	1	.800
28 Hughes, Ashleigh	.000	1-1	2	0	0	0	0	0	0	0	.000	0	0	0	0	.000	0	0	0-0	2	0	0	1.000
8 Phillips, Siera	.000	1-0	0	0	0	0	0	0	0	0	.000	0	0	0	0	.000	0	0	0-0	0	0	0	.000
4 Sakasegawa, Aireal	.000	1-0	0	0	0	0	0	0	0	0	.000	0	0	0	0	.000	0	0	0-0	0	0	0	.000
22 Dotson, Alexis	.000	1-0	0	0	0	0	0	0	0	0	.000	0	0	0	0	.000	0	0	0-0	0	0	0	.000
94 Floyd, Michelle	.000	1-1	0	0	0	0	0	0	0	0	.000	0	0	0	0	.000	0	0	0-0	0	0	0	.000
24 Parks, Trish	.000	2-1	0	0	0	0	0	0	0	0	.000	0	0	0	0	.000	0	0	0-0	0	0	0	.000
2 Kornfeind, Payton	.000	2-0	0	1	0	0	0	0	0	0	.000	0	0	0	0	.000	0	0	0-0	0	0	0	.000
Totals	.209	2	43	5	9	1	1	0	5	12	.279	6	0	4	0	.300	1	3	0-0	33	16	2	.961
Opponents	.333	2	51	18	17	3	1	2	16	28	.549	13	0	3	0	.462	1	0	3-3	36	15	4	.927

LOB - Team (12), Opp (14). DPs turned - Team (0), Opp (2).

(Super Regional Sorted by Earned run avg)

Player	era	w-l	app	gs	cg	sho	sv	ip	h	r	er	bb	so	2b	3b	hr	b/avg	wp	hp	bk	sfa	sha
24 Parks, Trish	9.33	0-1	2	1	0	0/0	0	6.0	10	8	6	1	2	1	0	.357	1	0	0	1	0	0
8 Phillips, Siera	10.50	0-0	1	0	0	0/0	0	2.0	2	4	3	3	1	0	0	.222	1	0	0	0	0	0
94 Floyd, Michelle	14.00	0-1	1	1	0	0/0	0	3.0	5	6	6	4	1	1	0	.357	0	0	0	0	0	0
Totals	10.82	0-2	2	2	0	0/0	0	11.0	17	18	17	13	3	3	1	.333	2	0	0	1	0	0
Opponents	1.17	2-0	2	2	1	1/0	1	12.0	9	5	2	6	4	1	1	.209	1	0	0	1	3	0

SBA/ATT - Goodacre (3-3), Parks (2-2), Floyd (1-1).

2015 Arizona Softball
#16 Arizona at #8 LSU
May 23, 2015 at Baton Rouge, La. (Tiger Park)

Arizona 0 (41-19)											LSU 8 (49-12)											
Player	ab	r	h	rbi	bb	so	po	a	lob		Player	ab	r	h	rbi	bb	so	po	a	lob		
Wilson, Hallie 1b	2	0	0	0	1	0	3	0	0		A.J. Andrews cf	2	1	0	0	1	1	1	0	0	3	
Suitsos, Chelsea lf	0	0	0	0	1	0	2	0	0		Bailey Landry rf	3	2	2	2	0	0	4	1	0		
Fox, Kellie ss	2	0	0	0	0	1	3	1		Bianka Bell ss	1	2	0	0	2	0	2	0	0			
Mauga, Katiyana rf	2	0	0	0	1	0	0	0		Sahvanna Jaquish 3b	2	1	1	2	1	0	2	3	0			
Goodacre, Chelsea c	1	0	0	0	1	0	2	0	2		Kelsi Kloss c	3	1	1	1	0	0	2	0	0		
Kornfeind, Payton pr	0	0	0	0	0	0	0	0	0		Sandra Simmons 1b	2	0	1	1	1	0	2	0	0		
Perez, Mandie dp	2	0	1	0	0	0	0	0	0		Constance Quinn dp	1	0	0	0	2	0	0	0	0		
Mercado, Mo 2b	2	0	0	0	0	1	1	1		Sydney Bourg 2b	2	0	0	0	1	0	2	1	3			
Young, Lauren 3b	2	0	0	0	0	1	1	0		Emily Griggs lf	2	1	0	0	0	0	0	0	0			
Hughes, Ashleigh cf	2	0	0	0	0	2	0	0		Carley Hoover p	0	0	0	0	0	0	1	0	0			
Parks, Trish p	0	0	0	0	0	0	0	0	0		Totals	18	8	5	6	8	1	15	6	6		
Phillips, Siera p	0	0	0	0	0	0	0	0	0													
Totals	15	0	1	0	3	1	12	5	4													

Score by Innings	1	2	3	4	5	R	H	E
Arizona	0	0	0	0	0	0	1	1
LSU	4	2	2	0	X	8	5	1

E - Fox(14); Bourg(4). DP - LSU 1. LOB - ARIZ 4; LSU 6. 2B - Kloss(8). HR - B. Landry(2). SH - Suitsos(6).

Arizona	ip	h	r	er	bb	so	ab	bf	np	LSU	ip	h	r	er	bb	so	ab	bf	np
Parks, Trish	2.0	3	4	4	5	0	9	14	30	Carley Hoover	5.0	1	0	0	3	1	15	19	84
Phillips, Siera	2.0	2	4	3	3	1	9	12	36										

Win - Hoover (17-5). Loss - Parks (16-7). Save - None.
WP - Parks(23); Phillips(6). Pitches/strikes: Parks 30/17; Phillips 36/21; Hoover 84/52.

Umpires - HP: James Cotzie 1B: Katrina Kershaw 3B: Emerus Addison
Start: 2:05 pm Time: 1:48 Attendance: 3231
Weather: 86 degrees, mostly cloudy

2015 Arizona Softball
#8 LSU at #16 Arizona
May 24, 2015 at Baton Rouge, La. (Tiger Park)

LSU 10 (50-12)											Arizona 5 (41-20)										
Player	ab	r	h	rbi	bb	so	po	a	lob		Player	ab	r	h	rbi	bb	so	po	a	lob	
A.J. Andrews cf	5	1	2	0	0	0	1	0	0		Wilson, Hallie 1b	4	1	3	0	0	0	10	0	0	
Bailey Landry rf	4	2	1	0	1	0	1	1	1		Suitsos, Chelsea lf	2	2	1	0	0	0	2	0	0	
Bianka Bell ss	4	1	1	1	1	0	3	3	2		Fox, Kellie ss	2	0	1	1	2	0	1	7	2	
Sahvanna Jaquish 3b	3	2	1	0	1	1	0	2	0		Kornfeind, Payton pr	0	1	0	0	0	0	0	0	0	
Kelsi Kloss c	4	0	0	0	0	4	0	0	0		Mauga, Katiyana rf	4	0	2	0	0	0	0	0	0	
Sandra Simmons 1b	3	3	3	5	0	0	9	0	0		Sakasegawa, Aireal pr	0	0	0	0	0	0	0	0	0	
Constance Quinn dp	3	1	2	3	1	0	0	0	2		Goodacre, Chelsea c	2	0	0	2	1	0	2	0	0	
Sydney Bourg 2b	2	0	1	0	1	1	0	2	1		Dotson, Alexis pr	0	0	0	0	0	0	0	0	0	
Dylan Supak ph	1	0	1	0	0	0	0	0	0		Perez, Mandie dp	4	0	2	0	0	1	0	0	0	
Emily Griggs lf	4	0	0	0	0	3	0	2		Mercado, Mo 2b	4	0	0	0	1	1	3	6			
Allie Walljasper p	0	0	0	0	0	0	1	0	0		Young, Lauren 3b	3	0	0	0	0	0	1	1	0	
Carley Hoover p	0	0	0	0	0	0	0	0	0		Watson, Eva cf	3	1	1	0	0	1	4	0	0	
Totals	33	10	12	10	5	2	21	9	8		Floyd, Michelle p	0	0	0	0	0	0	0	0	0	
											Parks, Trish p	0	0	0	0	0	0	0	0	0	
											Totals	28	5	8	5	3	3	21	11	8	

Score by Innings	1	2	3	4	5	6	7	R	H	E
LSU	4	0	2	2	0	0	2	10	12	3
Arizona	2	0	1	0	2	0	0	5	8	1

E - Bell(11); Bourg(5); Walljasper(6); Goodacre(4). DP - LSU 1. LOB - LSU 8; ARIZ 8. 2B - Quinn 2(11); Perez(13). 3B - Simmons(3); Fox(4). HR - Simmons(4). SH - Suitsos 2(8). SF - Simmons(2); Goodacre(7). SB - Andrews 2(25); Quinn(7).

LSU	ip	h	r	er	bb	so	ab	bf	np	Arizona	ip	h	r	er	bb	so	ab	bf	np
Allie Walljasper	4.1	5	5	2	3	0	17	23	80	Floyd, Michelle	3.0	5	6	6	4	1	14	18	67
Carley Hoover	2.2	3	0	0	0	3	11	11	36	Parks, Trish	4.0	7	4	4	1	1	19	21	67

Win - Walljasper (15-5). Loss - Floyd (19-13). Save - Hoover (4).
WP - Hoover(13). Pitches/strikes: Walljasper 80/53; Hoover 36/25; Floyd 67/40; Parks 67/43.

Umpires - HP: Katrina Kershaw 1B: Emerus Addison 3B: James Cotzie
Start: 4:05 pm Time: 2:37 Attendance: 2968
Weather: 89 degrees, mostly cloudy

2015 Arizona Softball
#14 Auburn vs #13 Arizona
Mar 06, 2015 at Fullerton, Calif. (Anderson Field)

Auburn 20 (24-1)**Arizona 2 (19-5)**

Player	ab	r	h	rbi	bb	so	po	a	lob	avg	Player	ab	r	h	rbi	bb	so	po	a	lob	avg
Tiffany Howard lf	3	3	3	1	0	0	1	0	0	.603	Wilson, Hallie 1b	1	0	0	0	2	0	5	0	0	.351
Kimberlee Myers ph	1	0	0	0	0	1	0	0	0	.000	Suitos, Chelsea lf	1	0	1	0	1	0	1	1	0	.512
Emily Carosone 2b	4	3	3	3	0	1	3	2	0	.514	Fox, Kellie ss	3	0	1	0	0	0	2	1	0	.417
Madison Dickey ph	1	0	0	0	0	1	0	0	2	.375	Goodacre, Chelsea c	3	0	0	0	0	1	5	0	3	.279
Kasey Cooper 3b	3	2	1	3	1	1	0	0	0	.418	Mauga, Katiyana rf	1	0	0	0	1	0	1	0	2	.339
Brannndi Melero rf	2	2	2	2	1	0	1	0	0	.391	Mercado, Mo 2b	2	0	1	0	0	0	1	3	0	.400
Whitney Jordan ph	1	0	0	0	0	0	0	0	0	.125	Young, Lauren 3b	2	1	0	0	0	0	0	2	0	.339
Haley Fagan dp	2	1	0	1	1	0	0	0	0	.338	Parks, Trish p	2	1	1	2	0	0	0	0	0	.393
Anna Gibbs ph	1	1	1	0	0	0	0	0	0	.375	Watson, Eva cf	2	0	0	0	0	1	0	0	0	.354
Jade Rhodes 1b	2	0	0	2	1	1	7	0	0	.368	Floyd, Michelle dp	0	0	0	0	0	0	0	0	0	-
Courtney Shea ph	0	0	0	0	1	0	0	0	0	.378	Phillips, Siera p	0	0	0	0	0	0	0	0	0	.000
Victoria Draper pr	0	1	0	0	0	0	0	0	0	.600	Bowling, Nancy p	0	0	0	0	0	0	0	0	0	1000
Morgan Estell cf	3	2	1	2	0	0	1	0	0	.463	Totals	17	2	4	2	4	2	15	7	5	
Mckenzie Kilpatrick ph	1	1	1	3	0	0	0	0	0	.333											
Carlee Wallace c	3	1	1	1	0	0	2	0	3	.319											
Jenna Abbott ph	1	0	1	0	0	0	0	0	0	.667											
Sydne Waldrop pr	0	0	0	0	0	0	0	0	0	.333											
Kelsey Bogaards ss	3	3	3	0	0	0	0	3	0	.320											
Maria Mitchell ph	0	0	0	0	1	0	0	0	0	.200											
Rachael Walters p	0	0	0	0	0	0	0	2	0	-											
Totals	31	20	17	18	6	5	15	7	3												

Score by Innings	1	2	3	4	5	R	H	E
Auburn	4	6	3	4	3	20	17	0
Arizona	0	2	0	0	0	2	4	3

E - Mauga(1); Mercado(9); Young(6). DP - AU 1; ARIZ 1. LOB - AU 3; ARIZ 5. 2B - E. Carosone(8); C. Wallace(4); K. Bogaards(2). HR - E. Carosone(9); K. Cooper(9); M Kilpatrick(3); Parks(5). SH - Suitos(3). SF - T. Howard(2). SB - M. Estell(2).

Auburn	ip	h	r	er	bb	so	ab	bf	np	era	Arizona	ip	h	r	er	bb	so	ab	bf	np	era
Rachael Walters	5.0	4	2	2	4	2	17	22	86	1.60	Parks, Trish	1.0	6	7	6	1	0	10	11	33	3.76
											Floyd, Michelle	2.0	4	6	4	3	2	9	12	48	3.27
											Phillips, Siera	1.1	6	7	7	1	1	9	11	30	7.57
											Bowling, Nancy	0.2	1	0	0	1	2	3	4	18	3.57

Win - R. Walters (9-0). Loss - Parks (8-2). Save - None.

WP - R. Walters(2); Floyd 2(7); Phillips(3). Pitches/strikes: R. Walters 86/50; Parks 33/18; Floyd 48/26; Phillips 30/19; Bowling 18/10.

Umpires - HP: Katrina Kershaw 1B: John Bennett 3B: Smokey Edds

Start: 5:30 pm Time: 2:02 Attendance: 1042

Weather: 66 degrees, clear skies

NCAA Tournament Stats
Overall Statistics for Arizona (as of May 24, 2016)
(All games Sorted by Batting avg)

Record: 10-8 Home: 6-2 Away: 2-4 Neutral: 2-2 Pac-12: 0-0

Player	avg	gp-gs	ab	r	h	2b	3b	hr	rbi	tb	slg%	bb	hp	so	gdp	ob%	sf	sh	sb-att	po	a	e	fld%		
55 Perez, Mandie	.286	12-12	35	4	10	1	0	0	0	11	.314	2	2	4	2	.359	0	0	1-2	1	0	0	1.000		
34 Mauga, Katiyana	.279	15-15	43	5	12	2	0	3	9	23	.535	9	1	6	2	.415	0	1	0-0	7	7	0	1.000		
9 Young, Lauren	.209	18-18	43	4	9	1	0	1	4	13	.302	8	3	11	0	.370	0	4	0-0	36	29	2	.970		
11 Mercado, Mo	.196	15-15	46	5	9	0	0	1	8	12	.261	2	0	4	0	.220	2	1	0-0	21	32	2	.964		
28 Hughes, Ashleigh	.091	8-7	22	0	2	0	0	0	2	2	.091	0	0	6	0	.091	0	0	1-1	12	9	0	1.000		

6 Bowling, Nancy	.500	3-3	8	2	4	0	0	0	1	4	.500	2	0	2	0	.600	0	1	0-0	30	4	1	.971		
88 Statman, Tamara	.429	3-3	7	0	3	0	0	0	1	3	.429	1	0	0	0	.444	1	0	0-0	0	0	0	.000		
14 Watson, Eva	.273	13-4	11	8	3	0	0	0	0	3	.273	0	0	5	0	.273	0	0	0-0	7	1	0	1.000		
2 Dotson, Alexis	.000	7-4	7	1	0	0	0	0	0	0	.000	0	0	4	0	.000	0	0	0-0	3	0	0	1.000		
22 Edior, Hillary	.000	2-0	2	0	0	0	0	0	0	0	.000	0	0	2	0	.000	0	0	0-0	0	0	0	.000		
33 Krist, Joelle	.000	1-0	1	0	0	0	0	0	0	0	.000	0	0	1	0	.000	0	0	0-0	0	0	0	.000		
20 Miller, Merrilee	.000	3-0	0	0	0	0	0	0	0	0	.000	0	0	0	0	.000	0	0	0-0	0	0	0	.000		
Totals	.282	18	461	76	130	14	3	16	71	198	.430	60	13	78	5	.375	7	15	7-8	361	155	13	.975		
Opponents	.259	18	474	88	123	20	1	19	85	202	.426	80	8	80	2	.373	4	5	15-18	351	125	22	.956		

(All games Sorted by Earned run avg)

Player	era	w-l	app	gs	cg	sho	sv	ip	h	r	er	bb	so	2b	3b	hr	b/avg	wp	hp	bk	sfa	sha	
3 O'Toole, Danielle	1.09	3-0	3	3	2	2/0	0	19.1	7	3	3	3	15	1	0	1	.109	0	1	0	0	1	
94 Floyd, Michelle	4.58	1-1	4	3	1	0/0	0	18.1	23	13	12	10	5	4	0	3	.307	0	1	0	0	1	

18 McQuillin, Taylor	0.00	0-0	1	0	0	0/0	0	2.2	2	0	0	3	4	0	0	0	.200	0	0	0	0	0	
6 Bowling, Nancy	5.56	0-0	4	2	0	0/0	0	11.1	11	9	9	10	8	3	0	2	.256	1	1	0	0	1	
Totals	4.94	10-8	18	18	7	2/0	0	120.1	123	88	85	80	80	20	1	19	.259	6	8	0	4	5	
Opponents	3.41	8-10	18	18	11	2/0	1	117.0	130	76	57	60	78	14	3	16	.282	8	13	0	7	15	

2016 Arizona Softball
Overall Statistics for Arizona (as of May 22, 2016)
(NCAA Tournament Sorted by Batting avg)

Record: 3-0 Home: 0-0 Away: 2-0 Neutral: 1-0 Pac-12: 0-0

Player	avg	gp-gs	ab	r	h	2b	3b	hr	rbi	tb	slg%	bb	hp	so	gdp	ob%	sf	sh	sb-att	po	a	e	fld%	
6 Bowling, Nancy	.500	3-3	8	2	4	0	0	0	1	4	.500	2	0	2	0	.600	0	1	0-0	30	2	1	.970	
88 Statman, Tamara	.429	3-3	7	0	3	0	0	0	1	3	.429	1	0	0	0	.444	1	0	0-0	0	0	0	.000	
11 Mercado, Mo	.375	3-3	8	2	3	0	0	0	2	3	.375	2	0	0	0	.455	1	0	0-0	1	6	0	1.000	
55 Perez, Mandie	.364	3-3	11	2	4	0	0	0	0	4	.364	0	0	1	0	.364	0	0	1-2	1	0	0	1.000	
9 Young, Lauren	.286	3-3	7	0	2	0	0	0	1	2	.286	1	0	1	0	.375	0	2	0-0	20	1	0	1.000	
14 Watson, Eva	.286	3-3	7	2	2	0	0	0	0	2	.286	0	0	3	0	.286	0	0	0-0	3	1	0	1.000	
34 Mauga, Katiyana	.200	3-3	10	2	2	0	0	1	3	5	.500	1	0	0	0	.273	0	0	0-0	1	7	0	1.000	
28 Hughes, Ashleigh	.091	3-3	11	0	1	0	0	0	1	1	.091	0	0	3	0	.091	0	0	0-0	7	9	0	1.000	
2 Dotson, Alexis	.000	3-3	6	0	0	0	0	0	0	0	.000	0	0	3	0	.000	0	0	0-0	3	0	0	1.000	

22 Edior, Hillary	.000	2-0	2	0	0	0	0	0	0	0	.000	0	0	2	0	.000	0	0	0-0	0	0	0	.000	
33 Krist, Joelle	.000	1-0	1	0	0	0	0	0	0	0	.000	0	0	1	0	.000	0	0	0-0	0	0	0	.000	
20 Miller, Merrilee	.000	3-0	0	0	0	0	0	0	0	0	.000	0	0	0	0	.000	0	0	0-0	0	0	0	.000	
Totals	.269	3	78	10	21	0	0	1	9	24	.308	7	0	16	0	.322	2	3	1-2	66	28	1	.989	
Opponents	.122	3	74	3	9	1	0	1	3	13	.176	6	1	19	0	.198	0	1	3-3	61	18	4	.952	

LOB - Team (19), Opp (13). DPs turned - Team (1).

(NCAA Tournament Sorted by Earned run avg)

Player	era	w-l	app	gs	cg	sho	sv	ip	h	r	er	bb	so	2b	3b	hr	b/avg	wp	hp	bk	sfa	sha
3 O'Toole, Danielle	1.09	3-0	3	3	2	2/0	0	19.1	7	3	3	3	15	1	0	1	.109	0	1	0	0	1

18 McQuillin, Taylor	0.00	0-0	1	0	0	0/0	0	2.2	2	0	0	3	4	0	0	0	.200	0	0	0	0	0
Totals	0.95	3-0	3	3	2	2/0	0	22.0	9	3	3	6	19	1	0	1	.122	0	1	0	0	1
Opponents	2.41	0-3	3	3	1	0/0	0	20.1	21	10	7	7	16	0	0	1	.269	1	0	0	2	3

PB - Team (0), Opp (1). SBA/ATT - Young (3-3), O'Toole (2-2), McQuillin (1-1).

QUICK HITS

Overall Record	39-19
Pac-12 Record	13-11
Home Record	22-8
Away Record	9-8
Neutral Record	8-3
vs. Ranked Opponents.....	9-13
Extra-inning Games	2-1
Mercy-rule Games	15-2
Streak.....	W4
Last 5 Games	4-1
Last 10 Games	7-3
Day Record.....	24-12
Night Record	15-7

RANKINGS

USA Today/NFCA Ranking.....	18
ESPN.com/USA Softball Ranking.....	22
NCAA RPI	22

ACTIVE HITTING STREAKS (Season Long/Career Long)

Mo Mercado	8 games (8/8)
Mandie Perez	4 games (7/10)
Tamara Statman	4 games (6/6)
Nancy Bowling	4 games (4/4)
Eva Watson.....	2 games (5/7)
Ashleigh Hughes	1 game (11/11)

MULTIPLE HIT GAMES

Mo Mercado	21 games
Mandie Perez	18 games
Katiyana Mauga	14 games
Alexis Dotson.....	12 games
Lauren Young.....	12 games
Ashleigh Hughes	9 games
Eva Watson.....	9 games
Tamara Statman	6 games
Nancy Bowling	3 games
Joelle Krist.....	2 games
Hillary Edior	1 game
Merrilee Miller.....	1 game

MULTIPLE RBI GAMES

Katiyana Mauga	21 games
Mo Mercado	12 games
Mandie Perez	10 games
Lauren Young.....	9 games
Nancy Bowling	6 games
Tamara Statman	6 games
Hillary Edior	5 games
Joelle Krist.....	5 games
Alexis Dotson.....	4 games
Ashleigh Hughes	2 games
Robyn Porter	1 game
Eva Watson.....	1 game

RECORD BY DAY

Sunday.....	7-6
Monday.....	0-2
Tuesday.....	0-0
Wednesday.....	2-1
Thursday.....	3-1
Friday.....	10-4
Saturday.....	17-5

ARIZONA VS. THE CONFERENCES

American	4-0
Big 12	1-0
Big Sky	2-0
Big Ten	2-0
Big West	1-1
Colonial Athletic Association	0-2
Conference USA	4-0
MAC.....	0-1
Northeast Conference	2-0
Pac-12	13-11
SEC.....	4-3
Summit League.....	1-0
Sun Belt.....	1-0
WAC.....	2-0
WCC.....	1-1

ARIZONA IN THE RANKINGS

Week	NFCA	USA	Week	NFCA	USA
Pre	13	15	8	18	17
1	9	10	9	17	16
2	15	16	10	17	16
3	15	18	11	17	17
4	18	20	12	18	20
5	18	18	13	18	21
6	18	18	14	18	21
7	18	17			

USA TODAY/NFCA TOP 25

Rank	Team	Points	Record	Previous
1	Florida(30)	798	53-5	1
2	Michigan	758	46-6	2
3	Oklahoma	703	47-7	5
4	Oregon	687	44-8	3
5	Auburn (2)	670	49-9	8
6	Alabama	644	46-12	4
7	Florida State	622	47-8	6
8	James Madison	589	46-4	7
9	La-Lafayette	527	43-7	9
10	LSU	500	45-15	12
11	Tennessee	478	41-14	10
12	Washington	451	36-13	13
13	Kentucky	439	43-12	11
14	UCLA	389	35-13-1	14
15	Georgia	322	40-17	15
16	Texas A&M	307	37-18	16
17	Missouri	283	39-14	17
18	ARIZONA	238	36-19	18
19	Minnesota	209	41-12	23
20	Fresno State	189	41-10-1	19
21	Baylor	178	43-12	21
22	Florida Atlantic	157	50-7	22
23	Notre Dame	143	41-11	20
24	USF	69	44-14	24
25	Utah	25	32-19	RV

ARIZONA SOFTBALL ROSTER

No.	Name	Pos.	B/T	Ht.	Yr.	Exp.	Hometown (Last School)
2	Alexis Dotson	OF	L/R	5-8	Jr.	1L	Las Cruces, N.M. (Pima College)
3	Danielle O'Toole	P/1B	R/L	5-8	Jr.*	TR	Upland, Calif. (San Diego State)
4	Monica Pasillas	UT	L/R	5-4	Fr.	HS	Redlands, Calif. (Redlands H.S.)
6	Nancy Bowling	P/1B	R/R	5-8	Jr.*	2L	Simi Valley, Calif. (Royal H.S.)
7	Robyn Porter	C	R/R	5-11	So.	1L	Tucson, Ariz. (Ironwood Ridge H.S.)
9	Lauren Young	INF	R/R	5-7	Sr.	3L	Anaheim Hills, Calif. (Canyon H.S.)
11	Mo Mercado	INF	R/R	5-6	Jr.	2L	Temecula, Calif. (Great Oak H.S.)
14	Eva Watson	OF	L/L	5-7	Jr.	2L	Victoria, Va. (Kenston Forest H.S.)
18	Taylor McQuillin	P	L/L	5-8	Fr.	HS	Mission Viejo, Calif. (Mission Viejo H.S.)
20	Merrilee Miller	OF	L/R	5-8	Fr.	HS	Tucson, Ariz. (Ironwood Ridge H.S.)
22	Hillary Edior	C	R/R	5-10	Fr.	HS	Los Angeles, Calif. (Carson H.S.)
28	Ashleigh Hughes	UT	L/R	5-5	So.	1L	Antelope, Calif. (Antelope H.S.)
32	Alyssa Palomino	OF	L/L	5-10	Fr.	HS	Mission Viejo, Calif. (Mission Viejo H.S.)
33	Joelle Krist	INF	R/R	5-9	Fr.	HS	Petaluma, Calif. (Petaluma H.S.)
34	Katiyana Mauga	3B/RF	R/R	5-2	Jr.	2L	San Diego, Calif. (Mira Mesa H.S.)
55	Mandie Perez	OF	L/R	5-2	Jr.*	2L	Whittier, Calif. (Whittier Christian H.S.)
88	Tamara Statman	P/UTL	L/R	5-5	Fr.	HS	Scottsdale, Ariz. (Horizon H.S.)
94	Michelle Floyd	P	R/R	6-3	Jr.	2L	San Marino, Calif. (San Marino H.S.)

COACHES

Head Coach – Mike Candrea
Associate Head Coach – Stacy Iveson
Assistant Coach – Caitlin Lowe
Volunteer Assistant Coach – Shelby Babcock
Graduate Manager – Jessica Spigner
Undergraduate Assistant Coach – Chelsea Goodacre

PRONUNCIATION GUIDE

Hillary Edior: EE-dee-or
Joelle Krist: Rhymes with "kissed"
Katiyana Mauga: First syllable rhymes with "now"
Tamara Statman: Tuh-MAR-uh

PAC-12 STANDINGS

Team	Pac-12	Overall
1. Oregon	20-4	47-8
2. UCLA	16-5-1	38-13-1
3. Washington	16-8	39-13
4. Utah	13-10	35-20
5. ARIZONA	13-11	39-19
6. California	11-11-1	33-24-1
7. Oregon State	9-14	30-18-1
8. Arizona State	6-17	30-24
9. Stanford	0-24	13-35

ESPN.COM/USA SOFTBALL TOP 25

Rank	Team	Record	Points	Previous
1	Florida (18)	53-5	498	1
2	Michigan	46-5	474	2
3	Oklahoma (1)	47-7	438	T4
4	Oregon	44-8	436	3
5	Auburn (1)	49-9	429	8
6	Alabama	46-12	404	T4
7	Florida State	47-8	385	6
8	James Madison	46-4	365	7
9	La-Lafayette	43-7	322	10
10	Tennessee	41-4	314	9
11	Kentucky	43-12	294	11
12	LSU	45-15	288	13
13	UCLA	35-13-1	267	12
14	Washington	36-13	255	14
15	Minnesota	41-12	187	19
16	Missouri	39-13	180	15
17	Baylor	43-12	170	16
18	Fresno State	41-10-1	154	17
19	Georgia	40-17	137	18
20	Texas A&M	37-18	133	20
21	Florida Atlantic	50-7	115	22
22 ARIZONA	36-19	92	21	
23	Notre Dame	41-11	72	23
24	South Florida	44-14	40	24
25	Texas	37-14	15	25

HITS, SEASON

No. Player	H	Year
1. Alison McCutcheon	132	1997
2. Amy Chellevoid	122	1994
3. Alison McCutcheon	117	1998
4. Amy Chellevoid	112	1995
5. Lauren Bauer	104	2001
Brittany Lastrapes	104	2009
7. Leah O'Brien	101	1995
Laura Espinoza	101	1995
9. Caitlin Lowe	100	2005
10. Leah O'Brien	99	1997
Mo Mercado	70	2016

HITS, CAREER

No. Player	H	Years
1. Alison McCutcheon	405	95-98
2. Amy Chellevoid	371	92-95
3. Nicole Giordano	359	98-01
4. Caitlin Lowe	351	04-07
5. Lauren Bauer	349	98-01
6. Leah O'Brien	338	93-97
7. Brittany Lastrapes	337	08-11
8. Autumn Champion	314	03-06
9. Leah Braatz	297	94-98
10. Toni Mascarenas	293	98-01
Mo Mercado (Jr.)	192	14-

DOUBLES, SEASON

No. Player	2B	Year
1. Brigitte Del Ponte	23	2011
2. Leah O'Brien	21	1995
Lovieanne Jung	21	2003
4. Kelsey Rodriguez	20	2014
5. K'Lee Arredondo	19	2008
Brittany Lastrapes	19	2009
7. Jenny Dalton	18	1994
8. Leticia Pineda	17	1996
Toni Mascarenas	17	1998
Toni Mascarenas	17	2000
Brittany Lastrapes	17	2010
Brittany Lastrapes	17	2011
Perez, Mercado	11	2016

DOUBLES, CAREER

No. Player	2B	Years
1. Brittany Lastrapes	66	08-11
2. Leah Braatz	59	94-98
3. Toni Mascarenas	55	98-01
4. Leah O'Brien	53	93-97
5. Laura Espinoza	52	92-95
Brigitte Del Ponte	52	10-13
7. Jenny Dalton	51	93-96
Nancy Evans	51	94-98
9. Alison McCutcheon	49	95-98
10. Hallie Wilson	48	12-15
Mackenzie Vandergeest	48	01-04
Mandie Perez (RJr.)	32	13, 15-

TRIPLES, SEASON

No. Player	3B	Year
1. Julie Winkleplek	13	1979
2. Jamie Heggen	9	1992
3. Regina Rawson	6	1979
Jamie Wheat	6	1987
Alison McCutcheon	6	1995
Alison McCutcheon	6	1996
8. Andrea Doty	6	1996
Gail Davenport	5	1977
Rocky LaRose	5	1979
Jamie Heggen	5	1991
Jody Miller	5	1991
Julie Jones	5	1991
Alison McCutcheon	5	1997
Alison McCutcheon	5	1998
Nicole Giordano	5	1998
Dotson, Perez	2	2016

TRIPLES, CAREER

No. Player	3B	Years
1. Alison McCutcheon	22	95-98
2. Jamie Heggen	18	91-92
3. Julie Winkleplek	17	79-81
4. Caitlin Lowe	12	04-07
5. Gail Davenport	10	76-79
Regina Rawson	10	79-82
Dee Dinota	10	81-84
8. Barb Garcia	9	78-81
Jody Pruitt	9	90-93
Amy Chellevoid	9	92-95
6 players	2	

HOME RUNS, SEASON

No. Player	HR	Year
1. Laura Espinoza rh	37	1995
2. Stacie Chambers lh	31	2009
3. Laura Espinoza rh	30	1994
4. Jenny Dalton rh	28	1995
5. Katiyana Mauga rh	26	2015
6. Jenny Dalton rh	25	1996
Leah Braatz rh	25	1998
Toni Mascarenas rh	25	2001
Lovieanne Jung rh	25	2003
10. Chelsea Goodacre lh	24	2015
Katiyana Mauga rh	21	2016

HOME RUNS, CAREER

No. Player	HR	Years
1. Stacie Chambers lh	87	08-11
2. Laura Espinoza rh	85	92-95
Leah Braatz rh	85	94-98
4. Jenny Dalton rh	76	93-96
5. Chelsea Goodacre lh	71	12-15
6. KATIYANA MAUGA (Jr.)	67	14-
7. Lini Korja rh	61	09-12
8. M. Vandergeest rh	59	01-04
Brigitte Del Ponte rh	59	10-13
10. Jenae Leles rh	57	06-09
Lauren Young (Sr.)	34	13-

RUNS BATTED IN, SEASON

No. Player	RBI	Year
1. Laura Espinoza	128	1995
2. Jenny Dalton	109	1996
3. Leah Braatz	100	1998
4. Jenny Dalton	98	1995
5. Leticia Pineda	96	1996
Stacie Chambers	96	2009
7. Laura Espinoza	95	1994
8. Jenny Dalton	91	1994
9. Chelsea Goodacre	86	2015
10. Toni Mascarenas	84	2001
Katiyana Mauga	62	2016

RUNS BATTED IN, CAREER

No. Player	RBI	Years
1. Jenny Dalton	328	93-96
2. Leah Braatz	322	94-98
3. Laura Espinoza	314	92-95
4. Stacie Chambers	293	08-11
5. Mackenzie Vandergeest	248	01-04
6. Toni Mascarenas	245	98-01
7. Leticia Pineda	240	95-98
Chelsea Goodacre	240	12-15
9. Kristie Fox	230	04-07
10. Brigitte Del Ponte	229	10-13
Katiyana Mauga (Jr.)	196	14-

STOLEN BASES, SEASON

No. Player	SB/A	Year
1. Alison McCutcheon	67-70	1998
2. Vivian Holm	49-53	1987
Caitlin Lowe	49-50	2007
4. A. McCutcheon	47-50	1997
5. Caitlin Lowe	47-50	2004
6. Lauren Bauer	43-45	1999
7. Vivian Holm	41-45	1990
Lauren Bauer	38-40	2000
Lauren Bauer	38-44	2001
10. Caitlin Lowe	33-35	2006
Hughes, Perez	12-15	2016

STOLEN BASES, CAREER

No. Player	SB	Years
1. Caitlin Lowe	156	04-07
2. Alison McCutcheon	148	95-98
3. Lauren Bauer	133	98-01
4. Vivian Holm	129	87-90
5. Amy Chellevoid	113	92-95
6. Nicole Giordano	81	98-01
7. Toni Mascarenas	58	98-01
8. Julie Standerling	57	88-91
9. Chelsea Suits	54	12-15
Autumn Champion	54	03-05
Ashleigh Hughes (So.)	21	15-

WALKS, SEASON

No. Player	BB	Year
1. Jenny Dalton	64	1996
2. Stacie Chambers	62	2010
3. Jenny Dalton	59	1995
4. Lovieanne Jung	55	2003
5. Leah Braatz	53	1998
6. Leah Braatz	45	1997
7. Leah Braatz	44	1995
Lovieanne Jung	44	2002
Hallie Wilson	44	2014
Kellie Fox	44	2015
Katiyana Mauga	43	2016

WALKS, CAREER

No. Player	BB	Years
1. Jenny Dalton	178	93-96
2. Leah Braatz	173	94-98
3. Stacie Chambers	158	08-11
4. Brittany Lastrapes	137	08-11
5. Hallie Wilson	136	12-15
6. Jenae Leles	132	06-09
7. Lini Korja	120	09-12
8. Mackenzie Vandergeest	116	01-04
9. Nancy Evans	112	94-98
10. Toni Mascarenas	111	98-01
Katiyana Mauga (Jr.)	108	14-

VICTORIES, SEASON

No. Player	W-L	Year
1. Taryne Mowatt	42-12	2007
2. Alicia Hollowell	41-4	2004
3. Alicia Hollowell	40-5	2003
4. Kenzie Fowler	38-9	2010
5. Nancy Evans	36-2	1997
Nancy Evans	36-2	1998
7. Carrie Dolan	35-6	1996
8. Jennie Finch	34-6	2002
9. Susie Parra	33-1	1994
Carrie Dolan	33-2	1995
Danielle O'Toole	25-10	2016

VICTORIES, CAREER

No. Player	W-L	Years
1. Alicia Hollowell	144-23	03-06
2. Nancy Evans	124-8	94-98
3. Jennie Finch	119-16	99-02
4. Carrie Dolan	103-13	94-97
5. Becky Lemke	103-19	98-01
6. Susie Parra	101-9	91-94
7. Taryne Mowatt	100-33	05-08
8. Kenzie Fowler	87-33	10-14
9. Teresa Cherry	71-33	85-88
10. Debby Day	62-13	91-92
Michelle Floyd (Jr.)	23-14	14-

STRIKES, SEASON

No. Player	SO	Year
1. Taryne Mowatt	522	2007
2. Alicia Hollowell	508	2004
3. Alicia Hollowell	446	2005
4. Alicia Hollowell	420	2006
5. Taryne Mowatt	413	2008
6. Alicia Hollowell	394	2003
7. Kenzie Fowler	371	2010
8. Jennie Finch	366	2002
9. Becky Lemke	314	2000
10. Jennie Finch	279	2001
Danielle O'Toole	170	2016

STRIKES, CAREER

No. Player	SO	Years
1. Alicia Hollowell	1768	03-06
2. Taryne Mowatt	1267	05-08
3. Jennie Finch	1028	99-02
4. Becky Lemke	916	98-01
5. Susie Parra	874	91-94
6. Kenzie Fowler	857	10-14
7. Nancy Evans	733	94-98
8. Shelby Babcock	462	11-14
9. Jenny Gladding	358	01-02
10. Pam Stone	343	82-84
Nancy Bowling (RJr.)	209	13-

INNINGS PITCHED, SEASON

No. Player	IP	Year
1. Taryne Mowatt	370.0	2007
2. Teresa Cherry	301.1	1988
3. Alicia Hollowell	297.0	2003
4. Alicia Hollowell	293.2	2004
5. Taryne Mowatt	285.2	2008
6. Kenzie Fowler	284.1	2010
7. Alicia Hollowell	279.0	2005
8. Jennie Finch	273.1	2002
9. Debby Day	268.1	1991
10. Carrie Dolan	264.0	1996
Danielle O'Toole	183.1	2016

INNINGS PITCHED, CAREER

No. Player	IP	Years
1. Alicia Hollowell	1122.0	03-06
2. Taryne Mowatt	877.2	05-08
3. Jennie Finch	876.2	99-02
4. Nancy Evans	835.2	94-98
5. Becky Lemke	781.0	98-01
6. Susie Parra	780.0	91-94
7. Carrie Dolan	755.3	94-97
8. Teresa Cherry	730.1	85-88
9. Kenzie Fowler	718.2	10-14
10. Shelby Babcock	592.0	11-14
Michelle Floyd (Jr.)	216.1	14-

SEASON SHUTOUTS (Solo/combined)

No. Player	Shutouts	Year
1. Alicia Hollowell	22/3	2003
2. Debby Day	22/0	1992
3. Alicia Hollowell	21/3	2004
4. Jennie Finch	21/1	2002
5. Alicia Hollowell	20/0	2006
6. Nancy Evans	20/1	1998
7. Taryne Mowatt	19/1	2007
8. Debby Day	19/1	1991
9. Jennie Finch	19/1	2001
10. Susie Parra	19/0	1992
Danielle O'Toole	7/0	2016

**2016 Arizona Softball
Game Results for Arizona (as of May 23, 2016)
(All games)**

Date	Opponent	Score	Inns	Overall	Pac-12	Pitcher of record	Attend	Time
! Feb 11, 2016	SOUTHERN UTAH	w 10-2	5	1-0-0	0-0-0	O'Toole (W 1-0)	1853	1:34
! Feb 12, 2016	SOUTHERN UTAH-1	w 10-0	5	2-0-0	0-0-0	McQuillin (W 1-0)	-	1:15
! Feb 12, 2016	NORTH TEXAS-2	w 9-1	6	3-0-0	0-0-0	Bowling (W 1-0)	1889	1:40
! Feb 13, 2016	PURDUE-1	w 11-1	5	4-0-0	0-0-0	O'Toole (W 2-0)	-	1:30
! Feb 13, 2016	NEBRASKA OMAHA-2	w 12-2	5	5-0-0	0-0-0	McQuillin (W 2-0)	2265	1:30
! Feb 14, 2016	UC SANTA BARBARA	w 11-6	7	6-0-0	0-0-0	O'Toole (W 3-0)	1984	2:00
# Feb 19, 2016	vs #4 LSU	w 3-0	7	7-0-0	0-0-0	O'Toole (W 4-0)	627	1:49
# Feb 20, 2016	vs Central Michigan	L 1-4	7	7-1-0	0-0-0	McQuillin (L 2-1)	424	1:35
# Feb 20, 2016	vs #15 UCF	w 19-4	6	8-1-0	0-0-0	O'Toole (W 5-0)	625	2:14
# Feb 21, 2016	vs #25 Texas A&M	L 4-8	7	8-2-0	0-0-0	O'Toole (L 5-1)	345	2:19
# Feb 21, 2016	vs Cal Poly	L 0-2	7	8-3-0	0-0-0	Floyd (L 0-1)	244	2:06
\$ Feb 26, 2016	vs Marshall	w 7-6	7	9-3-0	0-0-0	McQuillin (W 3-1)	212	2:08
\$ Feb 26, 2016	at #4 Alabama	L 3-4	7	9-4-0	0-0-0	O'Toole (L 5-2)	683	2:09
\$ Feb 27, 2016	vs #14 Tennessee	w 1-0	7	10-4-0	0-0-0	O'Toole (W 6-2)	344	2:11
\$ Feb 27, 2016	at #4 Alabama	L 1-9	6	10-5-0	0-0-0	McQuillin (L 3-2)	0	1:57
\$ Feb 28, 2016	vs Marshall	w 6-3	7	11-5-0	0-0-0	O'Toole (W 7-2)	283	1:46
% Mar 03, 2016	BYU	L 2-4	7	11-6-0	0-0-0	O'Toole (L 7-3)	1850	2:15
% Mar 04, 2016	MOUNT ST. MARY'S-1	w 16-5	5	12-6-0	0-0-0	McQuillin (W 4-2)	-	2:00
% Mar 04, 2016	BYU-2	w 6-3	7	13-6-0	0-0-0	O'Toole (W 8-3)	1974	2:00
% Mar 05, 2016	SAINT FRANCIS-1	w 6-4	7	14-6-0	0-0-0	O'Toole (W 9-3)	-	2:15
% Mar 05, 2016	UTEP-2	w 9-1	6	15-6-0	0-0-0	McQuillin (W 5-2)	2217	1:50
% Mar 06, 2016	#10 JAMES MADISON	L 2-4	7	15-7-0	0-0-0	McQuillin (L 5-3)	1898	2:00
Mar 09, 2016	#9 JAMES MADISON	L 1-6	7	15-8-0	0-0-0	O'Toole (L 9-4)	1933	2:06
^ Mar 12, 2016	vs Texas	w 3-2	(8)	16-8-0	0-0-0	McQuillin (W 6-3)	618	2:36
^ Mar 12, 2016	at UT Arlington	w 11-0	5	17-8-0	0-0-0	O'Toole (W 10-4)	652	1:42
^ Mar 13, 2016	vs Samford	w 3-0	7	18-8-0	0-0-0	McQuillin (W 7-3)	263	1:40
* Mar 18, 2016	at #21 Arizona State	w 2-0	7	19-8-0	1-0-0	O'Toole (W 11-4)	2259	1:55
* Mar 19, 2016	at #21 Arizona State	w 5-4	7	20-8-0	2-0-0	McQuillin (W 8-3)	2212	1:55
* Mar 20, 2016	at #21 Arizona State	L 2-3	7	20-9-0	2-1-0	O'Toole (L 11-5)	2077	1:55
* Mar 24, 2016	UTAH	w 3-1	7	21-9-0	3-1-0	O'Toole (W 12-5)	2119	2:02
* Mar 25, 2016	UTAH	L 3-7	(9)	21-10-0	3-2-0	McQuillin (L 8-4)	2483	3:38
* Mar 26, 2016	UTAH	w 5-4	7	22-10-0	4-2-0	Bowling (W 2-0)	2084	2:25
* Apr 02, 2016	at #11 Washington	w 8-4	7	23-10-0	5-2-0	O'Toole (W 13-5)	1470	2:30
* Apr 03, 2016	at #11 Washington	L 2-6	7	23-11-0	5-3-0	McQuillin (L 8-5)	618	2:30
* Apr 04, 2016	at #11 Washington	L 1-5	7	23-12-0	5-4-0	O'Toole (L 13-6)	482	2:29
Apr 06, 2016	NEW MEXICO STATE-1	w 6-1	7	24-12-0	5-4-0	O'Toole (W 14-5)	-	1:57
Apr 06, 2016	NEW MEXICO STATE-2	w 10-2	5	25-12-0	5-4-0	McQuillin (W 9-5)	1930	1:30
Apr 08, 2016	HOUSTON	w 4-3	7	26-12-0	5-4-0	O'Toole (W 15-6)	1873	2:06
Apr 09, 2016	HOUSTON-1	w 11-2	5	27-12-0	5-4-0	McQuillin (W 10-5)	-	1:53
Apr 09, 2016	HOUSTON-2	w 7-4	7	28-12-0	5-4-0	O'Toole (W 16-6)	1989	2:04
* Apr 15, 2016	at Stanford	w 5-3	7	29-12-0	6-4-0	O'Toole (W 17-6)	347	2:00
* Apr 16, 2016	at Stanford	w 6-1	7	30-12-0	7-4-0	McQuillin (W 11-5)	799	1:58
* Apr 17, 2016	at Stanford	w 8-0	5	31-12-0	8-4-0	O'Toole (W 18-6)	1219	1:42
* Apr 23, 2016	#15 UCLA	L 6-8	7	31-13-0	8-5-0	O'Toole (L 18-7)	2732	2:36
* Apr 24, 2016	#15 UCLA	w 8-4	7	32-13-0	9-5-0	McQuillin (W 12-5)	2782	2:35
* Apr 25, 2016	#15 UCLA	L 7-8	7	32-14-0	9-6-0	O'Toole (L 18-8)	2502	2:58
* Apr 29, 2016	at #5 Oregon	L 0-2	7	32-15-0	9-7-0	O'Toole (L 18-9)	2009	2:00
* Apr 30, 2016	at #5 Oregon	L 0-7	7	32-16-0	9-8-0	McQuillin (L 12-6)	2517	2:08
* May 01, 2016	at #5 Oregon	L 0-8	5	32-17-0	9-9-0	O'Toole (L 18-10)	2416	2:14
* May 06, 2016	OREGON STATE	w 6-0	7	33-17-0	10-9-0	O'Toole (W 19-10)	1970	1:45
* May 07, 2016	OREGON STATE	L 1-2	7	33-18-0	10-10-0	McQuillin (L 12-7)	2010	1:50
* May 08, 2016	OREGON STATE	w 10-1	5	34-18-0	11-10-0	O'Toole (W 20-10)	1940	1:40
* May 12, 2016	CALIFORNIA	w 8-0	5	35-18-0	12-10-0	O'Toole (W 21-10)	2015	1:45
* May 13, 2016	CALIFORNIA	L 3-5	7	35-19-0	12-11-0	McQuillin (L 12-8)	1930	2:00
* May 14, 2016	CALIFORNIA	w 11-2	6	36-19-0	13-11-0	O'Toole (W 22-10)	1897	1:51
& May 20, 2016	vs Ohio State	w 2-0	7	37-19-0	13-11-0	O'Toole (W 23-10)	0	2:00
& May 21, 2016	at #13 Tennessee	w 4-0	7	38-19-0	13-11-0	O'Toole (W 24-10)	0	2:17
& May 22, 2016	at #13 Tennessee	w 4-3	(8)	39-19-0	13-11-0	O'Toole (W 25-10)	1579	2:50

! = Hillenbrand Invitational // Tucson, Ariz.

= Mary Nutter Collegiate Classic // Palm Springs, Calif.

\$ = Easton Bama Bash // Tuscaloosa, Ala.

% = Wildcat Classic // Tucson, Ariz.

^ = UT Arlington Tournament // Arlington, Texas

& = NCAA Regional // Knoxville, Tenn.

* = Pac-12 game

() extra inning game

**2016 Arizona Softball
 Overall Statistics for Arizona (as of May 22, 2016)
 (All games Sorted by Batting avg)**

Record: 39-19 Home: 22-8 Away: 9-8 Neutral: 8-3 Pac-12: 13-11

Player	avg	gp-gs	ab	r	h	2b	3b	hr	rbi	tb	slg%	bb	hp	so	gdp	ob%	sf	sh	sb-att	po	a	e	fld%
11 Mercado, Mo	.387	58-58	181	39	70	11	1	8	42	107	.591	13	2	5	1	.425	4	0	1-1	54	110	10	.943
14 Watson, Eva	.365	39-35	85	25	31	2	0	1	9	36	.424	5	1	17	0	.402	1	5	3-6	40	1	2	.953
55 Perez, Mandie	.340	58-58	188	59	64	11	2	11	34	112	.596	24	1	16	0	.416	1	1	12-15	55	2	5	.919
34 Mauga, Katiyana	.331	58-58	157	44	52	6	0	21	62	121	.771	43	2	20	1	.473	3	1	1-1	46	67	7	.942
88 Statman, Tamara	.288	53-52	132	24	38	7	1	4	24	59	.447	19	8	19	1	.401	3	3	1-2	0	0	0	.000
28 Hughes, Ashleigh	.284	54-50	155	34	44	3	1	1	13	52	.335	15	1	31	0	.349	1	4	12-15	86	89	7	.962
9 Young, Lauren	.282	58-58	156	26	44	7	0	6	30	69	.442	19	0	22	1	.358	1	7	0-0	280	34	4	.987
2 Dotson, Alexis	.280	58-58	168	25	47	6	2	3	22	66	.393	6	1	45	0	.307	1	1	5-5	42	4	2	.958
6 Bowling, Nancy	.250	41-33	80	13	20	2	0	5	22	37	.463	15	3	18	0	.384	1	7	0-0	174	12	4	.979
33 Krist, Joelle	.195	42-28	77	13	15	1	0	6	16	34	.442	12	1	22	0	.308	1	1	0-0	212	8	6	.973

22 Edior, Hillary	.186	28-13	43	3	8	1	1	0	12	11	.256	6	2	13	0	.314	0	0	0-0	86	14	1	.990
20 Miller, Merrilee	.162	44-13	37	17	6	0	0	0	0	6	.162	3	1	13	1	.244	0	0	3-4	11	1	3	.800
4 Pasillas, Monica	.154	10-3	13	2	2	1	0	0	3	3	.231	0	0	5	0	.154	0	0	0-0	0	0	0	.000
7 Porter, Robyn	.091	6-5	11	1	1	0	0	1	2	4	.364	1	0	6	0	.167	0	1	0-0	23	1	1	.960
18 McQuillin, Taylor	.000	5-4	3	0	0	0	0	0	0	0	.000	0	0	2	0	.000	0	0	0-0	3	32	3	.921
94 Floyd, Michelle	.000	2-2	0	0	0	0	0	0	0	0	.000	0	0	0	0	.000	0	0	0-0	1	4	1	.833
Totals	.297	58	1486	325	442	58	8	67	291	717	.483	181	23	254	5	.378	17	31	38-49	1120	442	59	.964
Opponents	.233	58	1452	181	339	41	5	46	156	528	.364	108	20	356	6	.295	1	26	43-47	1066	404	77	.950

LOB - Team (348), Opp (307). DPs turned - Team (17), Opp (11). IBB - Team (4), Mauga 4, Opp (5).

(All games Sorted by Earned run avg)

Player	era	w-l	app	gs	cg	sho	sv	ip	h	r	er	bb	so	2b	3b	hr	b/avg	wp	hp	bk	sfa	sha	
3 O'Toole, Danielle	2.04	25-10	40	34	23	9/0	3	202.2	170	82	59	47	185	19	1	19	.219	4	8	0	0	10	
18 McQuillin, Taylor	3.26	12-8	27	20	10	2/0	1	124.2	128	73	58	38	134	16	2	19	.255	7	12	0	0	11	

6 Bowling, Nancy	3.37	2-0	14	2	0	0/0	0	35.1	28	20	17	17	30	4	1	7	.214	1	0	0	1	4	
94 Floyd, Michelle	3.94	0-1	8	2	0	0/0	0	10.2	13	6	6	6	7	2	1	1	.302	1	0	0	0	1	
Totals	2.62	39-19	58	58	33	11/0	4	373.1	339	181	140	108	356	41	5	46	.233	13	20	0	1	26	
Opponents	4.92	19-39	58	58	24	4/0	5	355.1	442	325	250	181	254	58	8	67	.297	27	23	0	17	31	

PB - Team (2), Porter 2, Opp (10). Pickoffs - Team (1), Edior 1. SBA/ATT - Young (24-27), O'Toole (23-26), Edior (16-17), McQuillin (11-12), Bowling (7-7), Porter (3-3), Floyd (2-2).

2016 Arizona Softball
Conference statistics for Arizona (as of May 25, 2016)
(Pac-12 games only Sorted by Batting avg)

Record: 13-11 Home: 7-5 Away: 6-6 Pac-12: 13-11

Player	avg	gp-gs	ab	r	h	2b	3b	hr	rbi	tb	slg%	bb	hp	so	gdp	ob%	sf	sh	sb-att	po	a	e	fld%		
34 Mauga, Katiyana	.338	24-24	65	16	22	2	0	8	22	48	.738	15	1	8	1	.458	2	1	0-0	23	32	2	.965		
28 Hughes, Ashleigh	.316	24-24	76	14	24	1	0	0	7	25	.329	7	1	18	0	.376	1	1	1-3	43	44	3	.967		
11 Mercado, Mo	.301	24-24	73	12	22	3	0	1	7	28	.384	6	2	4	1	.366	1	0	0-0	23	49	4	.947		
14 Watson, Eva	.275	21-18	40	9	11	0	0	0	2	11	.275	4	1	9	0	.356	0	3	0-1	24	0	2	.923		
55 Perez, Mandie	.273	24-24	77	20	21	1	1	5	14	39	.506	11	0	6	0	.360	1	1	3-3	20	1	2	.913		
9 Young, Lauren	.246	24-24	65	11	16	2	0	3	11	27	.415	9	0	5	1	.333	1	2	0-0	133	9	3	.979		
33 Krist, Joelle	.224	23-22	58	7	13	1	0	5	12	29	.500	7	1	20	0	.318	0	1	0-0	150	7	5	.969		
88 Statman, Tamara	.216	22-21	51	7	11	3	0	0	8	14	.275	9	4	4	1	.364	2	1	0-0	0	0	0	.000		
2 Dotson, Alexis	.177	24-24	62	6	11	1	0	1	8	15	.242	4	1	21	0	.239	0	1	2-2	24	0	1	.960		

6 Bowling, Nancy	.278	12-5	18	3	5	0	0	2	8	11	.611	3	1	3	0	.409	0	1	0-0	6	3	0	1.000		
20 Miller, Merrilee	.154	16-5	13	4	2	0	0	0	0	2	.154	1	1	5	0	.267	0	0	1-1	6	0	1	.857		
22 Edior, Hillary	.125	7-1	8	1	1	0	1	0	3	3	.375	1	0	3	0	.222	0	0	0-0	9	1	0	1.000		
4 Pasillas, Monica	.000	1-0	1	0	0	0	0	0	1	0	.000	0	0	0	0	.000	0	0	0-0	0	0	0	.000		
18 McQuillin, Taylor	.000	3-2	1	0	0	0	0	0	0	0	.000	0	0	0	0	.000	0	0	0-0	2	11	1	.929		
94 Floyd, Michelle	.000	1-1	0	0	0	0	0	0	0	0	.000	0	0	0	0	.000	0	0	0-0	0	0	0	.000		
Totals	.262	24	608	110	159	14	2	25	103	252	.414	77	13	106	4	.353	8	12	7-10	467	196	24	.965		
Opponents	.241	24	609	85	147	18	3	24	77	243	.399	62	11	135	3	.323	0	13	17-21	465	179	24	.964		

LOB - Team (143), Opp (143). DPs turned - Team (6), Opp (7). IBB - Team (2), Mauga 2, Opp (4).

(Pac-12 games only Sorted by Earned run avg)

Player	era	w-l	app	gs	cg	sho	sv	ip	h	r	er	bb	so	2b	3b	hr	b/avg	wp	hp	bk	sfa	sha
3 O'Toole, Danielle	2.57	9-6	19	15	11	4/0	2	87.0	80	37	32	27	75	9	0	10	.237	2	1	0	0	6
18 McQuillin, Taylor	4.17	3-5	12	8	2	0/0	0	53.2	50	38	32	24	50	7	2	11	.239	5	10	0	0	6

6 Bowling, Nancy	4.40	1-0	7	0	0	0/0	0	14.1	16	9	9	9	10	2	1	2	.271	0	0	0	0	1
94 Floyd, Michelle	10.50	0-0	2	1	0	0/0	0	0.2	1	1	1	2	0	0	0	1	.333	0	0	0	0	0
Totals	3.33	13-11	24	24	13	4/0	2	155.2	147	85	74	62	135	18	3	24	.241	7	11	0	0	13
Opponents	4.20	11-13	24	24	11	3/0	5	155.0	159	110	93	77	106	14	2	25	.262	11	13	0	8	12

PB - Team (0), Opp (6). SBA/ATT - Young (12-15), O'Toole (9-12), Edior (5-6), McQuillin (4-5), Bowling (4-4).

2016 Arizona Softball
Team Game-by-Game for Arizona (as of May 23, 2016)
Batting (All games)

Date	Opponent	ab	r	h	rbi	2b	3b	hr	tb	bb	lbb	sb	cs	hbp	sac	sf	gdp	k	po	a	e	lob	avg
Feb 11	SOUTHERN UTAH	20	10	12	9	2	1	1	19	3	0	3	3	0	0	1	0	0	15	5	0	2	.600
Feb 12	SOUTHERN UTAH	22	10	11	10	3	1	2	22	2	0	0	1	0	1	0	0	0	15	9	0	3	.548
Feb 12	NORTH TEXAS	25	9	11	9	2	1	3	24	5	1	0	1	0	1	0	0	0	18	5	0	6	.507
Feb 13	PURDUE	26	11	14	11	3	0	3	26	1	0	1	0	1	0	0	0	3	15	8	1	5	.516
Feb 13	NEBRASKA OMAHA	26	12	13	11	3	0	0	16	4	0	0	0	0	0	0	0	1	15	4	0	6	.513
Feb 14	UC SANTA BARBARA	24	11	10	10	2	0	5	27	3	0	1	0	2	3	1	0	4	21	8	2	4	.497
Feb 19	vs LSU	21	3	6	2	0	0	0	6	0	0	0	0	0	2	1	0	4	21	9	0	3	.470
Feb 20	vs Central Michigan	25	1	4	1	0	0	0	4	2	0	0	0	0	0	0	0	12	18	7	0	5	.429
Feb 20	vs UCF	39	19	18	18	5	1	1	28	4	0	2	0	0	1	0	0	5	18	11	1	7	.434
Feb 21	vs Texas A&M	31	4	10	4	1	1	1	16	4	0	0	0	0	0	0	0	6	21	5	0	10	.421
Feb 21	vs Cal Poly	23	0	4	0	0	0	0	4	2	0	2	0	1	2	0	0	9	21	9	2	7	.401
Feb 26	vs Marshall	29	7	9	6	3	0	0	12	3	0	1	1	0	0	0	0	6	21	6	1	7	.392
Feb 26	at Alabama	24	3	3	3	0	0	0	3	2	0	2	0	1	0	0	0	8	19	9	3	3	.373
Feb 27	vs Tennessee	25	1	3	1	0	0	1	6	7	0	1	0	0	0	0	0	12	21	6	0	10	.356
Feb 27	at Alabama	22	1	4	0	0	0	0	4	1	0	1	0	0	0	0	0	7	16	5	0	4	.346
Feb 28	vs Marshall	27	6	9	6	2	1	2	19	1	0	1	0	1	0	0	0	3	21	12	2	5	.345
Mar 03	BYU	26	2	5	2	1	0	0	6	2	0	2	0	0	0	0	0	9	21	10	1	5	.336
Mar 04	MOUNT ST. MARY'S	28	16	11	11	3	0	2	20	7	0	0	0	0	0	0	0	4	15	7	4	7	.339
Mar 04	BYU	26	6	7	4	0	0	2	13	2	0	0	0	0	0	0	0	6	21	9	3	4	.335
Mar 05	SAINT FRANCIS	26	6	9	5	1	0	4	22	4	0	4	0	0	1	0	0	1	21	5	1	7	.336
Mar 05	UTEP	24	9	9	8	0	0	0	9	7	0	3	0	0	0	1	0	5	18	7	4	8	.338
Mar 06	JAMES MADISON	27	2	5	1	0	0	0	5	5	0	0	0	1	0	0	0	5	21	5	2	10	.330
Mar 09	JAMES MADISON	26	1	5	1	0	0	1	8	4	0	0	0	1	0	0	0	7	21	3	2	9	.324
Mar 12	vs Texas	25	3	5	2	1	0	1	9	7	0	1	0	0	1	1	0	3	24	8	1	10	.319
Mar 12	at UT Arlington	28	11	13	8	2	0	2	21	5	1	0	0	1	0	0	0	1	15	4	1	8	.326
Mar 13	vs Samford	27	3	6	3	2	0	2	14	0	0	0	0	0	0	0	0	1	21	9	0	3	.321
*Mar 18	at Arizona State	23	2	3	2	0	0	1	6	3	0	0	1	0	1	0	0	5	21	8	0	4	.315
*Mar 19	at Arizona State	24	5	6	5	0	0	2	12	1	0	1	0	1	2	1	0	0	21	8	1	3	.313
*Mar 20	at Arizona State	24	2	4	2	1	0	1	8	3	0	0	0	0	0	0	0	6	18	10	1	4	.308
*Mar 24	UTAH	18	3	2	3	0	0	1	5	5	0	1	1	1	1	0	0	8	21	14	2	4	.304
*Mar 25	UTAH	35	3	9	2	1	0	0	10	8	2	2	0	2	1	0	0	5	27	7	2	16	.302
*Mar 26	UTAH	26	5	9	5	0	1	1	14	3	0	0	1	1	0	0	0	2	21	7	0	7	.303
*Apr 02	at Washington	31	8	10	8	2	0	1	15	5	0	0	0	1	0	0	0	6	21	10	0	8	.304
*Apr 03	at Washington	27	2	5	2	1	0	0	6	2	0	0	0	0	0	0	0	7	18	6	0	6	.300
*Apr 04	at Washington	25	1	4	0	0	0	0	4	3	0	0	0	2	1	0	0	5	18	8	1	9	.296
Apr 06	NEW MEXICO STATE	25	6	9	6	1	0	2	16	1	0	0	1	1	2	0	1	4	21	11	0	5	.298
Apr 06	NEW MEXICO STATE	22	10	8	9	2	0	1	13	3	0	1	0	0	1	0	0	0	15	3	0	3	.299
Apr 08	HOUSTON	27	4	8	3	1	0	1	12	3	0	4	0	0	0	0	0	2	21	9	1	8	.299
Apr 09	HOUSTON	25	11	12	8	1	0	2	19	2	0	0	0	0	1	2	0	2	15	4	0	7	.304
Apr 09	HOUSTON	29	7	9	7	3	0	2	18	1	0	0	0	0	0	0	0	2	21	6	2	5	.304
*Apr 15	at Stanford	30	5	11	5	0	0	0	11	5	0	0	0	0	2	1	0	1	21	10	2	12	.306
*Apr 16	at Stanford	27	6	6	6	1	0	2	13	3	0	0	0	0	0	0	0	4	21	7	0	3	.304
*Apr 17	at Stanford	27	8	12	7	0	0	0	12	3	0	1	0	0	0	2	0	0	15	12	2	9	.307
*Apr 23	UCLA	32	6	9	4	0	0	1	12	2	0	0	0	0	0	0	0	3	21	11	1	7	.306
*Apr 24	UCLA	28	8	10	7	0	0	3	19	6	0	0	0	0	1	0	0	3	21	9	3	9	.308
*Apr 25	UCLA	29	7	8	7	1	0	2	15	5	0	1	0	0	0	0	1	4	21	9	3	6	.307
*Apr 29	at Oregon	22	0	1	0	1	0	0	2	1	0	0	0	0	0	0	0	8	18	8	1	2	.302
*Apr 30	at Oregon	24	0	5	0	1	0	0	6	0	0	0	0	1	0	0	2	2	18	3	0	4	.300
*May 01	at Oregon	16	0	1	0	0	0	0	1	0	0	0	0	1	0	0	0	7	14	4	2	2	.297
*May 06	OREGON STATE	22	6	5	5	0	1	1	10	3	0	1	0	0	0	1	0	7	21	6	0	2	.296
*May 07	OREGON STATE	25	1	4	1	1	0	0	5	6	0	0	0	1	0	0	0	9	21	8	0	10	.294
*May 08	OREGON STATE	18	10	8	10	1	0	2	15	5	0	0	0	1	0	1	0	3	15	7	0	3	.296
*May 12	CALIFORNIA	23	8	10	8	1	0	2	17	2	0	0	0	1	1	0	0	7	15	7	1	6	.298
*May 13	CALIFORNIA	26	3	6	3	1	0	1	10	1	0	0	0	0	0	1	0	3	21	10	1	4	.297
*May 14	CALIFORNIA	26	11	11	11	1	0	4	24	2	0	0	0	0	2	1	1	1	18	7	1	3	.299
May 20	vs Ohio State	21	2	5	2	0	0	1	8	2	0	0	1	0	1	0	0	7	21	10	1	4	.298
May 21	at Tennessee	30	4	10	4	0	0	0	10	1	0	1	0	0	0	1	0	5	21	9	0	7	.299
May 22	at Tennessee	27	4	6	3	0	0	0	6	4	0	0	0	0	2	1	0	4	24	9	0	8	.297
Totals		1486	325	442	291	58	8	67	717	181	4	38	11	23	31	17	5	254	1120	442	59	348	.297

2016 Arizona Softball
Team Game-by-Game for Arizona (as of May 23, 2016)
Pitching (All games)

Date	Opponent	ip	h	r	er	bb	so	2b	3b	hr	wp	bk	hbp	dp	ibb	score	w-l	sv	era
Feb 11	SOUTHERN UTAH	5.0	2	2	2	0	6	0	0	2	0	0	0	0	0	10-2	1-0	0	2.80
Feb 12	SOUTHERN UTAH	5.0	4	0	0	1	6	0	0	0	0	0	0	1	0	10-0	2-0	0	1.40
Feb 12	NORTH TEXAS	6.0	3	1	1	0	4	1	0	1	0	0	0	0	0	9-1	3-0	0	1.31
Feb 13	PURDUE	5.0	1	1	0	0	8	0	0	0	0	0	0	0	0	11-1	4-0	0	1.00
Feb 13	NEBRASKA OMAHA	5.0	4	2	2	1	11	0	0	1	0	0	0	0	0	12-2	5-0	0	1.35
Feb 14	UC SANTA BARBARA	7.0	11	6	4	1	4	2	0	0	0	0	1	1	0	11-6	6-0	0	1.91
Feb 19	vs LSU	7.0	3	0	0	2	8	0	0	0	0	0	0	0	0	3-0	7-0	0	1.58
Feb 20	vs Central Michigan	6.0	10	4	4	1	7	1	0	1	0	0	0	0	0	1-4	7-1	0	1.98
Feb 20	vs UCF	6.0	4	4	1	1	4	0	0	1	0	0	2	0	0	19-4	8-1	0	1.88
Feb 21	vs Texas A&M	7.0	10	8	8	1	10	0	0	3	0	0	0	0	0	4-8	8-2	0	2.61
Feb 21	vs Cal Poly	7.0	7	2	2	2	7	1	0	1	0	0	0	2	0	0-2	8-3	0	2.55
Feb 26	vs Marshall	7.0	8	6	4	0	9	0	0	1	0	0	2	0	0	7-6	9-3	1	2.68
Feb 26	at Alabama	6.1	5	4	0	3	6	1	0	0	0	0	0	0	0	3-4	9-4	1	2.47
Feb 27	vs Tennessee	7.0	4	0	0	2	7	1	0	0	0	0	0	0	0	1-0	10-4	1	2.27
Feb 27	at Alabama	5.1	9	9	9	7	2	3	1	1	2	0	0	0	0	1-9	10-5	1	2.83
Feb 28	vs Marshall	7.0	5	3	2	1	8	1	0	0	0	0	0	1	0	6-3	11-5	1	2.77
Mar 03	BYU	7.0	7	4	3	1	5	1	0	2	1	0	0	0	1	2-4	11-6	1	2.78
Mar 04	MOUNT ST. MARY'S	5.0	7	5	1	1	6	0	0	0	0	0	0	0	0	16-5	12-6	1	2.72
Mar 04	BYU	7.0	7	3	0	2	6	0	0	0	1	0	0	1	0	6-3	13-6	1	2.56
Mar 05	SAINT FRANCIS	7.0	12	4	4	0	9	3	0	1	0	0	1	0	0	6-4	14-6	1	2.64
Mar 05	UTEP	6.0	2	1	0	0	9	0	0	0	0	0	0	0	0	9-1	15-6	1	2.52
Mar 06	JAMES MADISON	7.0	8	4	4	1	7	1	0	2	0	0	0	1	0	2-4	15-7	1	2.59
Mar 09	JAMES MADISON	7.0	10	6	2	2	8	1	0	1	0	0	0	1	0	1-6	15-8	1	2.56
Mar 12	vs Texas	8.0	6	2	1	2	8	1	0	1	0	0	0	0	0	3-2	16-8	1	2.48
Mar 12	at UT Arlington	5.0	1	0	0	0	7	0	0	0	0	0	0	0	0	11-0	17-8	1	2.40
Mar 13	vs Samford	7.0	4	0	0	2	5	1	0	0	0	0	0	0	0	3-0	18-8	1	2.30
*Mar 18	at Arizona State	7.0	1	0	0	3	4	0	0	0	0	0	0	0	0	2-0	19-8	1	2.20
*Mar 19	at Arizona State	7.0	5	4	3	2	4	0	0	1	0	0	1	0	0	5-4	20-8	2	2.23
*Mar 20	at Arizona State	6.0	4	3	2	3	3	0	0	1	0	0	0	1	0	2-3	20-9	2	2.24
*Mar 24	UTAH	7.0	6	1	1	2	4	0	0	1	1	0	0	1	1	3-1	21-9	2	2.19
*Mar 25	UTAH	9.0	10	7	3	7	8	2	0	1	1	0	0	0	2	3-7	21-10	2	2.20
*Mar 26	UTAH	7.0	9	4	4	3	7	3	0	1	0	0	0	1	1	5-4	22-10	2	2.26
*Apr 02	at Washington	7.0	7	4	4	4	7	1	0	1	0	0	0	0	0	8-4	23-10	2	2.32
*Apr 03	at Washington	6.0	10	6	6	3	8	0	0	1	0	0	1	0	0	2-6	23-11	2	2.44
*Apr 04	at Washington	6.0	8	5	5	5	5	0	1	1	0	0	1	0	0	1-5	23-12	2	2.53
Apr 06	NEW MEXICO STATE	7.0	6	1	1	1	4	0	1	0	0	0	0	0	0	6-1	24-12	2	2.49
Apr 06	NEW MEXICO STATE	5.0	5	2	2	1	9	1	0	1	1	0	0	0	0	10-2	25-12	2	2.49
Apr 08	HOUSTON	7.0	8	3	3	1	5	0	0	0	1	0	1	1	0	4-3	26-12	3	2.51
Apr 09	HOUSTON	5.0	4	2	2	0	3	0	0	1	0	0	0	1	0	11-2	27-12	3	2.51
Apr 09	HOUSTON	7.0	6	4	1	3	4	2	0	0	0	0	1	0	0	7-4	28-12	3	2.47
*Apr 15	at Stanford	7.0	4	3	2	4	3	0	0	1	0	0	0	0	0	5-3	29-12	3	2.46
*Apr 16	at Stanford	7.0	4	1	1	4	9	1	0	0	1	0	1	0	0	6-1	30-12	3	2.42
*Apr 17	at Stanford	5.0	3	0	0	1	3	0	0	0	0	0	0	0	0	8-0	31-12	3	2.38
*Apr 23	UCLA	7.0	13	8	8	1	8	2	0	2	1	0	1	0	0	6-8	31-13	3	2.52
*Apr 24	UCLA	7.0	9	4	3	0	2	4	0	1	0	0	2	0	0	8-4	32-13	4	2.53
*Apr 25	UCLA	7.0	11	8	7	2	6	2	0	3	1	0	1	0	0	7-8	32-14	4	2.63
*Apr 29	at Oregon	6.0	4	2	2	2	3	0	0	1	0	0	0	0	0	0-2	32-15	4	2.63
*Apr 30	at Oregon	6.0	5	7	7	4	8	1	0	3	1	0	1	1	0	0-7	32-16	4	2.74
*May 01	at Oregon	4.2	7	8	7	6	5	0	1	2	1	0	2	0	0	0-8	32-17	4	2.85
*May 06	OREGON STATE	7.0	6	0	0	0	9	1	0	0	0	0	0	2	0	6-0	33-17	4	2.79
*May 07	OREGON STATE	7.0	4	2	2	1	4	0	0	1	0	0	0	0	0	1-2	33-18	4	2.77
*May 08	OREGON STATE	5.0	3	1	1	0	5	1	0	0	0	0	0	0	0	10-1	34-18	4	2.75
*May 12	CALIFORNIA	5.0	2	0	0	1	6	0	0	0	0	0	0	0	0	8-0	35-18	4	2.71
*May 13	CALIFORNIA	7.0	7	5	4	2	5	0	1	1	0	0	0	0	0	3-5	35-19	4	2.74
*May 14	CALIFORNIA	6.0	5	2	2	2	9	0	0	1	0	0	0	0	0	11-2	36-19	4	2.73
May 20	vs Ohio State	7.0	2	0	0	2	3	1	0	0	0	0	1	1	0	2-0	37-19	4	2.68
May 21	at Tennessee	7.0	1	0	0	0	7	0	0	0	0	0	0	0	0	4-0	38-19	4	2.62
May 22	at Tennessee	8.0	6	3	3	4	9	0	0	1	0	0	0	0	0	4-3	39-19	4	2.62
Totals		373.1	339	181	140	108	356	41	5	46	13	0	20	17	5	325-181	39-19	4	2.62

**2016 Arizona Softball
 Games Summary for Arizona (as of May 23, 2016)
 (All games)**

Score by innings	1	2	3	4	5	6	7	8	9	Total
Arizona	64	45	64	44	49	49	7	2	1	325
Opponents	21	17	50	21	31	27	9	0	5	181

Record when ...

Overall	39-19	After 4 leading	29-3
Conference	13-11 trailing	3-13
Non-Conference	26-8 tied	7-3
Home games	22-8	After 5 leading	23-2
Away games	9-8 trailing	1-14
Neutral site	8-3 tied	4-2
Day games	24-12	After 6 leading	19-1
Night games	15-7 trailing	1-15
vs Left starter	5-4 tied	4-1
vs Right starter	34-15		
1-Run games	7-4	Hit 0 home runs	8-13
2-Run games	5-6	... 1 home run	12-5
5+Run games	19-4	... 2+ home runs	19-1
Extra innings	2-1		
Shutouts	11-4	Opponent 0 home runs	22-1
	 1 home run	16-11
	 2+ HRs	1-7
Scoring 0-2 runs	3-13		
..... 3-5 runs	10-4		
..... 6-9 runs	14-2	Made 0 errors	18-6
..... 10+ runs	12-0 1 error	11-6
	 2+ errors	10-7
Opponent 0-2 runs	24-3		
..... 3-5 runs	13-7	Opp. made 0 errors	9-7
..... 6-9 runs	2-9 1 error	15-7
..... 10+ runs	0-0 2+ errors	15-5
Scored in 1st inning	17-8	Out-hit opponent	29-0
Opp. scored in 1st	8-8	Out-hit by opponent	6-15
Scores first	27-8	Hits are tied	4-4
Opp. scores first	12-11		

Record when team scores:

Runs	0	1	2	3	4	5	6	7	8	9	10+
W-L	0-4	1-5	2-4	4-3	3-1	3-0	6-1	2-1	4-0	2-0	12-0

Record when opponent scores:

Runs	0	1	2	3	4	5	6	7	8	9	10+
W-L	11-0	7-0	6-3	5-1	7-4	1-2	2-2	0-2	0-4	0-1	0-0

Record when leading after:

Inn.	1	2	3	4	5	6
W-L	16-4	24-3	26-2	29-3	23-2	19-1

Record when trailing after:

Inn.	1	2	3	4	5	6
W-L	4-5	3-7	5-13	3-13	1-14	1-15

Record when tied after:

Inn.	1	2	3	4	5	6
W-L	19-10	12-9	8-4	7-3	4-2	4-1

Current winning streak: 4

Longest winning streak: 8

Longest losing streak: 4

Home attendance : 50119 (24 dates avg = 2088)

Away attendance : 25324 (28 dates avg = 904)

Total attendance: 75443 (52 dates avg = 1450)

2016 Arizona Softball
Season Game Highs for Arizona (as of May 23, 2016)
(All games)

TEAM GAME HIGHS

Batting

At bats:	39	-	vs UCF (Feb 20, 2016 at Palm Springs, Calif.)
Runs scored:	19	-	vs UCF (Feb 20, 2016 at Palm Springs, Calif.)
Hits:	18	-	vs UCF (Feb 20, 2016 at Palm Springs, Calif.)
RBIs:	18	-	vs UCF (Feb 20, 2016 at Palm Springs, Calif.)
Doubles:	5	-	vs UCF (Feb 20, 2016 at Palm Springs, Calif.)
Triples:	1	-	(8 times)
Home runs:	5	-	vs UC Santa Barbara (Feb 14, 2016)
Total bases:	28	-	vs UCF (Feb 20, 2016 at Palm Springs, Calif.)
Walks:	8	-	vs Utah (Mar 25, 2016)
Strikeouts:	12	-	vs Central Michigan (Feb 20, 2016 at Palm Springs, Calif.)
	12	-	vs Tennessee (Feb 27, 2016 at Tuscaloosa, AL)
Sac hits:	3	-	vs UC Santa Barbara (Feb 14, 2016)
Sac flies:	2	-	vs Houston (Apr 09, 2016)
	2	-	at Stanford (Apr 17, 2016)
Stolen bases:	4	-	vs Saint Francis (Mar 05, 2016)
	4	-	vs Houston (Apr 08, 2016)
Hit by pitch:	2	-	vs UC Santa Barbara (Feb 14, 2016)
	2	-	vs Utah (Mar 25, 2016)
	2	-	at Washington (Apr 04, 2016)
Caught stealing:	3	-	vs Southern Utah (Feb 11, 2016)
Runners LOB:	16	-	vs Utah (Mar 25, 2016)
Hit into DP:	2	-	at Oregon (Apr 30, 2016)

Fielding

Putouts:	27	-	vs Utah (Mar 25, 2016)
Assists:	14	-	vs Utah (Mar 24, 2016)
Errors:	4	-	vs Mount St. Mary's (Mar 04, 2016)
	4	-	vs UTEP (Mar 05, 2016)
Passed balls:	1	-	vs Purdue (Feb 13, 2016)
	1	-	at Alabama (Feb 26, 2016)
DPs turned:	2	-	vs Cal Poly (Feb 21, 2016 at Palm Springs, Calif.)
	2	-	vs Oregon State (May 06, 2016)

Pitching

Innings pitched:	9.0	-	vs Utah (Mar 25, 2016)
Runs allowed:	9	-	at Alabama (Feb 27, 2016)
Earned runs:	9	-	at Alabama (Feb 27, 2016)
Walks allowed:	7	-	at Alabama (Feb 27, 2016)
	7	-	vs Utah (Mar 25, 2016)
Strikeouts:	11	-	vs Nebraska Omaha (Feb 13, 2016)
Hits allowed:	13	-	vs UCLA (Apr 23, 2016)
Doubles allowed:	4	-	vs UCLA (Apr 24, 2016)
Triples allowed:	1	-	(5 times)
Homers allowed:	3	-	vs Texas A&M (Feb 21, 2016 at Palm Springs, Calif.)
	3	-	vs UCLA (Apr 25, 2016)
	3	-	at Oregon (Apr 30, 2016)
Wild pitches:	2	-	at Alabama (Feb 27, 2016)
Hit batters:	2	-	(4 times)

2016 Arizona Softball
Season Game Highs for Arizona (as of May 23, 2016)
(All games)

INDIVIDUAL GAME HIGHS

Batting

At bats:	5	-	(7 times)
Runs scored:	3	-	(7 times)
Hits:	4	-	Bowling, Nancy vs UCF (Feb 20, 2016 at Palm Springs, Calif.)
	4	-	Mercado, Mo at UT Arlington (Mar 12, 2016)
	4	-	Perez, Mandie at Arizona State (Mar 19, 2016)
RBI:	4	-	(5 times)
Doubles:	2	-	(5 times)
Triples:	1	-	(8 times)
Home runs:	2	-	(4 times)
Total bases:	10	-	Perez, Mandie at Arizona State (Mar 19, 2016)
Walks:	3	-	(7 times)
Strikeouts:	3	-	(5 times)
Sac hits:	2	-	Bowling, Nancy vs Cal Poly (Feb 21, 2016 at Palm Springs, Calif.)
	2	-	Young, Lauren vs Tennessee (May 22, 2016)
Sac flies:	2	-	Statman, Tamara at Stanford (Apr 17, 2016)
Stolen bases:	2	-	Watson, Eva vs Southern Utah (Feb 11, 2016)
	2	-	Hughes, Ashleigh vs Saint Francis (Mar 05, 2016)
	2	-	Hughes, Ashleigh vs Houston (Apr 08, 2016)
Hit by pitch:	1	-	(23 times)
Caught stealing:	1	-	(11 times)
Runners LOB:	7	-	Young, Lauren vs Utah (Mar 25, 2016)

Fielding

Putouts:	12	-	Bowling, Nancy at Alabama (Feb 26, 2016)
Assists:	7	-	O'Toole, Danielle vs Utah (Mar 24, 2016)
Errors:	2	-	McQuillin, Taylor vs Mount St. Mary's (Mar 04, 2016)
	2	-	Mauga, Katiyana vs Houston (Apr 09, 2016)
Passed balls:	1	-	Porter, Robyn vs Purdue (Feb 13, 2016)
	1	-	Porter, Robyn at Alabama (Feb 26, 2016)

Pitching

Innings pitched:	8.1	-	McQuillin, Taylor vs Utah (Mar 25, 2016)
Runs allowed:	7	-	O'Toole, Danielle vs Texas A&M (Feb 21, 2016 at Palm Springs, Calif.)
	7	-	O'Toole, Danielle vs UCLA (Apr 23, 2016)
Earned runs:	7	-	O'Toole, Danielle vs Texas A&M (Feb 21, 2016 at Palm Springs, Calif.)
	7	-	O'Toole, Danielle vs UCLA (Apr 23, 2016)
Walks allowed:	7	-	McQuillin, Taylor vs Utah (Mar 25, 2016)
Strikeouts:	11	-	McQuillin, Taylor vs Nebraska Omaha (Feb 13, 2016)
Hits allowed:	12	-	O'Toole, Danielle vs UCLA (Apr 23, 2016)
Doubles allowed:	3	-	McQuillin, Taylor at Alabama (Feb 27, 2016)
	3	-	McQuillin, Taylor vs UCLA (Apr 24, 2016)
Triples allowed:	1	-	(5 times)
Homers allowed:	2	-	(6 times)
Wild pitches:	1	-	(13 times)
Hit batters:	2	-	(4 times)



32 ALYSSA PALOMINO

FR // OF // Mission Viejo, Calif. // Mission Viejo H.S.

PLAYER NOTES

- Will be forced to redshirt the season after tearing her ACL on the first day of fall camp.
- USA Softball Junior Female Athlete of the Year.
- Holds the Orange Country home run record for both career (58) and season (18).
- Competed for the U.S. Junior National Team, helping it to a 10-0 record and gold medal in the Junior World Women's Championship and set the Junior World Women's Championship record for RBI with 27 in the 10-game tournament, shattering Stacey Nuveman's 20-year-old record of 18.
- High school and club teammates with fellow freshman Taylor McQuillin.



33 JOELLE KRIST

FR // INF // Petaluma, Calif. // Petaluma H.S.

CAREER STATS

Year	avg	ops	ab	r	h	2b	3b	hr	bb	sb	c	sf	gdp	k	po	a	e	avg					
2016	.195	.42-28	77	13	15	1	0	6	16	34	.442	12	1	22	0	.308	1	1	0.0	212	8	6	.973
TOTAL	.195	.42-28	77	13	15	1	0	6	16	34	.442	12	1	22	0	.308	1	1	0.0	212	8	6	.973

PLAYER NOTES

- Named Pac-12 Freshman of the Week in week 10 after .500 with a homer and three RBI in Arizona's sweep of Stanford. It was a homecoming for Krist, who grew up in nearby Petaluma.
- In just her fourth career start, hit a two-run, two-out home run in the top of the seventh to break a scoreless tie and eventually give Arizona a 2-0 win over Arizona State in game 1 of the series (3/18).
- An all-state performer at Petaluma H.S. where she hit .529 with six homers and 46 RBI, helping her earn Conference and Region MVP honors.
- Also competed in volleyball and basketball, the latter of which she was the team MVP and all-league performer all four years.

CAREER HONORS

2016

- Pac-12 All-Freshman
- Pac-12 Freshman of the Week (4/11-17)

SEASON/CAREER HIGHS

Season High	Category	Career High
2 - Mount St. Mary's (3/4)	Runs scored	Same
2, 2x - Stanford (4/17)	Hits	Same
3 - Washington (4/2)	RBI	Same
1 - Cal (5/12)	Doubles	Same
N/A	Triples	Same
1, 6x - Oregon State (5/6)	Home Runs	Same
5 - Stanford (4/16)	Total Bases	Same
2 - Mount St. Mary's (3/4)	Walks	Same
N/A	Stolen Bases	Same
1 - Utah (3/24)	HBP	Same

2016 GAME-BY-GAME

Date	Opponent	Pos	AB	R	H	RBI	2B	3B	HR	BB	SB	C	HBP	SAC	SF	GDP	K	PO	A	E	avg
Feb 12	SOUTHERN UTAH-1	*1b	2	1	1	0	0	0	0	1	0	0	0	0	0	0	0	3	0	0	.500
Feb 12	NORTH TEXAS-2	*1b	0	1	0	0	0	0	0	1	0	0	0	0	0	0	0	3	0	0	.500
Feb 13	NEBRASKA OMAHA-2	*1b	0	1	0	0	0	0	0	1	0	0	0	0	0	0	0	3	0	0	.500
Feb 20	vs Central Michigan	*1b	0	0	0	0	0	0	0	0	0	0	0	0	0	0	0	2	0	0	.500
Feb 21	vs Texas A&M	*1b	0	0	0	0	0	0	0	0	0	0	0	0	0	0	0	3	0	0	.500
Feb 21	vs Cal Poly	*1b	0	0	0	0	0	0	0	0	0	0	0	0	0	0	0	3	0	0	.500
Feb 27	vs Tennessee	ph	1	0	0	0	0	0	0	0	0	0	0	0	0	0	0	1	0	0	.333
Feb 27	at Alabama	*1b	0	0	0	0	0	0	0	0	0	0	0	0	0	0	0	1	0	0	.333
Mar 04	MOUNT ST. MARYS-1	*1b	2	2	0	0	0	0	2	0	0	0	0	0	0	0	0	6	0	1	.200
Mar 05	SAINT FRANCIS-1	*1b	0	0	0	0	0	0	0	0	0	0	0	0	0	0	0	1	0	0	.200
Mar 05	UTEP-2	*1b	0	0	0	1	0	0	0	0	0	0	0	0	1	0	0	1	1	0	.200
Mar 12	at UT Arlington	ph	1	1	1	2	0	0	1	0	0	0	0	0	0	0	0	0	0	0	.333
Mar 13	vs Samford	*1b	3	0	0	0	0	0	0	0	0	0	0	0	0	0	0	9	0	0	.222
Mar 18	at Arizona State	*1b	3	1	1	2	0	0	1	0	0	0	0	0	0	0	1	8	0	0	.250
Mar 19	at Arizona State	*1b	2	0	0	0	0	0	0	0	0	0	0	0	1	0	0	8	0	0	.214
Mar 20	at Arizona State	*1b	2	0	0	0	0	0	1	0	0	0	0	0	0	0	1	6	0	0	.188
Mar 24	UTAH	*1b	2	0	0	0	0	0	0	0	0	1	0	0	0	0	1	11	0	1	.167
Mar 25	UTAH	*1b	4	0	1	0	0	0	1	0	0	0	0	0	0	0	0	8	0	0	.182
Mar 26	UTAH	*1b	0	0	0	0	0	0	0	0	0	0	0	0	0	0	0	1	0	0	.182
Apr 02	at Washington	*1b	3	1	1	3	0	0	1	1	0	0	0	0	0	0	2	9	0	0	.200
Apr 03	at Washington	*1b	3	0	1	0	0	0	0	0	0	0	0	0	0	0	1	2	1	0	.214
Apr 04	at Washington	*1b	2	0	0	0	0	0	1	0	0	0	0	0	0	0	0	5	1	0	.200
Apr 06	NEW MEXICO STATE-	*1b	3	0	0	1	0	0	0	0	0	0	0	0	0	0	0	11	0	0	.182
Apr 06	NEW MEXICO STATE-	*1b	2	0	0	0	0	0	0	0	0	0	0	0	0	0	0	3	0	0	.171
Apr 08	HOUSTON	*1b	1	0	0	0	0	0	0	0	0	0	0	0	0	0	0	4	0	0	.167
Apr 09	HOUSTON-1	*1b	2	1	0	0	0	0	1	0	0	0	0	0	0	0	0	4	0	0	.158
Apr 09	HOUSTON-2	*1b	1	0	0	0	0	0	0	0	0	0	0	0	0	0	0	5	0	0	.154
Apr 15	at Stanford	*1b	4	0	1	0	0	0	0	0	0	0	0	0	0	0	1	8	1	1	.163
Apr 16	at Stanford	*1b	3	1	2	0	0	0	1	0	0	0	0	0	0	0	1	5	0	0	.196
Apr 17	at Stanford	*1b	3	0	2	1	0	0	0	0	0	0	0	0	0	0	0	10	1	0	.224
Apr 23	UCLA	*1b	3	1	0	0	0	0	1	0	0	0	0	0	0	0	0	5	1	0	.212
Apr 24	UCLA	*1b	3	1	1	1	0	0	1	0	0	0	0	0	0	0	2	7	1	1	.218
Apr 25	UCLA	*1b	0	1	1	0	0	0	1	0	0	0	0	0	0	0	0	8	0	0	.224
Apr 29	at Oregon	*1b	2	0	0	0	0	0	0	0	0	0	0	0	0	0	0	2	8	0	.217
Apr 30	at Oregon	*1b	2	0	0	0	0	0	0	0	0	0	0	0	0	0	0	3	3	0	.210
May 01	at Oregon	*1b	2	0	0	0	0	0	0	0	0	0	0	0	0	0	0	4	0	1	.203
May 06	OREGON STATE	*1b	3	1	1	2	0	0	1	0	0	0	0	0	0	0	1	5	0	0	.209
May 07	OREGON STATE	*1b	2	0	0	0	0	0	0	0	0	0	0	0	0	0	2	7	1	0	.203
May 08	OREGON STATE	*1b	2	1	0	0	0	0	1	0	0	0	0	0	0	0	1	8	0	0	.197
May 12	CALIFORNIA	*1b	0	1	0	1	0	0	0	0	0	0	0	0	0	0	2	7	0	0	.203
May 13	CALIFORNIA	*1b	2	0	0	0	0	0	0	0	0	0	0	0	0	0	2	7	0	0	.197
May 21	at Tennessee	ph	1	0	0	0	0	0	0	0	0	0	0	0	0	0	1	0	0	0	.195
Totals			77	13	15	16	1	0	6	12	0	0	1	1	1	0	22	212	8	6	.195

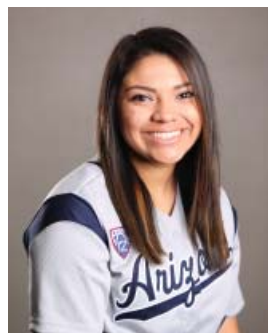
On base pct. .308 • Slugging pct. .442



#2 ALEXIS DOTSON
Jr. | OF | 5-8
Las Cruces, N.M.
Pima College



#3 DANIELLE O'TOOLE
R-Jr. | P | 5-8
Upland, Calif.
San Diego State



#4 MONICA PASILLAS
Fr. | INF | 5-4
Redlands, Calif.
Redlands H.S.



#6 NANCY BOWLING
R-Jr. | P/1B | 5-8
Simi Valley, Calif.
Royal H.S.



#7 ROBYN PORTER
So. | C | 5-11
Tucson, Ariz.
Ironwood Ridge H.S.



#9 LAUREN YOUNG
Sr. | INF | 5-7
Anaheim Hills, Calif.
Canyon H.S.



#11 MO MERCADO
Jr. | INF | 5-6
Temecula, Calif.
Great Oak H.S.



#14 EVA WATSON
Jr. | OF | 5-7
Victoria, Va.
Kenston Forest H.S.



#18 TAYLOR McQUILLIN
Fr. | P | 5-8
Mission Viejo, Calif.
Mission Viejo H.S.



#20 MERRILEE MILLER
Fr. | OF | 5-8
Tucson, Ariz.
Ironwood Ridge H.S.



#22 HILLARY EDIOR
Fr. | C | 5-10
Los Angeles, Calif.
Carson H.S.



#28 ASHLEIGH HUGHES
So. | UT | 5-5
Antelope, Calif.
Antelope H.S.



#32 ALYSSA PALOMINO
Fr. | OF | 5-10
Mission Viejo, Calif.
Mission Viejo H.S.



#33 JOELLE KRIST
Fr. | INF | 5-9
Petaluma, Calif.
Petaluma H.S.



#34 KATIYANA MAUGA
Jr. | UT | 5-2
San Diego, Calif.
Mira Mesa H.S.



#55 MANDIE PEREZ
R-Jr. | OF | 5-2
Whittier, Calif.
Whittier Christian H.S.



#88 TAMARA STATMAN
Fr. | P | 5-5
Scottsdale, Ariz.
Horizon H.S.



#94 MICHELLE FLOYD
Jr. | P | 6-3
San Marino, Calif.
San Marino H.S.

2016 Arizona Softball Southern Utah at #13 Arizona Feb 11, 2016 at Tucson, Ariz. (Hillenbrand Stadium)

Box score for Southern Utah 2 (0-1) vs Arizona 10 (1-0). Includes player stats for both teams and a score by innings table.

Score by Innings table for Southern Utah vs Arizona. Shows runs, hits, and errors for each team across 6 innings.

Note: None out, 2 runners LOB when the game ended. E - Theurer; Leonard. LOB - ARIZ 2. 2B - Young 2. 3B - Dotson. HR - Theurer; Leonard; Bowling. SF - Mauga. SB - Porter; Watson. CS - Perez; Watson; Miller.

Player statistics for Southern Utah and Arizona, including IP, H, R, ER, BB, SO, AB, and BF.

Win - O'Toole (1-0). Loss - Theurer (0-1). Save - None. WP - Theurer 2.

Umpires - HP: Bartling 1B: Tomlinson 3B: Price Start: 6 p.m. Time: 1:34 Attendance: 1853 Weather: 75 degrees, sunny Hostetter faced 4 batters in the 5th.

2016 Arizona Softball Purdue at #13 Arizona (Game 1) Feb 13, 2016 at Tucson, Ariz. (Hillenbrand Stadium)

Box score for Purdue 1 (2-2) vs Arizona 11 (4-0). Includes player stats for both teams and a score by innings table.

Score by Innings table for Purdue vs Arizona. Shows runs, hits, and errors for each team across 6 innings.

E - Knight, H(2): Mauga(1). LOB - PUR 1; ARIZ 5. 2B - Perez(1); Watson 2(2). HR - Mauga(2); Mercado(2); Bowling(2). HBP - Edior. SB - Stewart, L(2); Hughes(1).

Player statistics for Purdue and Arizona, including IP, H, R, ER, BB, SO, AB, and BF.

Win - O'Toole (2-0). Loss - Fecho, L. (2-1). Save - None. WP - Damon, M.(1). HBP - by Fecho, L. (Edior). PB - Porter(1).

Umpires - HP: Tomlinson 1B: Hawthorne 3B: E. Cooper Start: 6:30 Time: 1:30 Attendance: Weather: 68, clear skies

2016 Arizona Softball Southern Utah at #13 Arizona (Game 1) Feb 12, 2016 at Tucson, Ariz. (Hillenbrand Stadium)

Box score for Southern Utah 0 (0-3) vs Arizona 10 (2-0). Includes player stats for both teams and a score by innings table.

Score by Innings table for Southern Utah vs Arizona. Shows runs, hits, and errors for each team across 6 innings.

E - Kapitzke. DP - ARIZ 1. LOB - SUU 4; ARIZ 3. 2B - Mauga; Mercado; Dotson. 3B - Perez. HR - Mercado; Porter. SH - Porter. CS - Watson.

Player statistics for Southern Utah and Arizona, including IP, H, R, ER, BB, SO, AB, and BF.

Win - McQuillin (1-0). Loss - Wall (0-1). Save - None. WP - Wynn.

Umpires - HP: Bartling 1B: Tomlinson 3B: E. Cooper Start: 6:15 Time: 1:15 Attendance: Weather: 78, clear skies Wall faced 2 batters in the 4th.

2016 Arizona Softball Nebraska Omaha at #13 Arizona (Game 2) Feb 13, 2016 at Tucson, Ariz. (Hillenbrand Stadium)

Box score for Nebraska Omaha 2 (2-2) vs Arizona 12 (5-0). Includes player stats for both teams and a score by innings table.

Score by Innings table for Nebraska Omaha vs Arizona. Shows runs, hits, and errors for each team across 6 innings.

E - Warren. LOB - OMAHA 3; ARIZ 6. 2B - Perez; Mauga; Bowling. HR - Warren.

Player statistics for Nebraska Omaha and Arizona, including IP, H, R, ER, BB, SO, AB, and BF.

Win - McQuillin (2-0). Loss - Clanton (1-2). Save - None. WP - Noble.

Umpires - HP: Bertuzzi 1B: Bartling 3B: Price Start: 8:20 Time: 1:30 Attendance: 2265 Weather: 65, clear skies

2016 Arizona Softball North Texas at #13 Arizona (Game 2) Feb 12, 2016 at Tucson, Ariz. (Hillenbrand Stadium)

Box score for North Texas 1 (0-1) vs Arizona 9 (3-0). Includes player stats for both teams and a score by innings table.

Score by Innings table for North Texas vs Arizona. Shows runs, hits, and errors for each team across 6 innings.

Note: 1 out, 3 runners LOB when the game ended.

LOB - NT 2; ARIZ 6. 2B - Schkade, K.; Mercado 2. 3B - Dotson. HR - Schkade, K.; Perez; Mauga; Young. SH - Watson. CS - Perez.

Player statistics for North Texas and Arizona, including IP, H, R, ER, BB, SO, AB, and BF.

Win - Bowling (1-0). Loss - Elder (0-1). Save - None.

Umpires - HP: Price 1B: Hawthorne 3B: Bertuzzi Start: 7:50 Time: 1:40 Attendance: 1889 Weather: 70, clear skies Elder faced 2 batters in the 3rd.

2016 Arizona Softball UC Santa Barbara at #13 Arizona Feb 14, 2016 at Tucson, Ariz. (Hillenbrand Stadium)

Box score for UC Santa Barbara 6 (2-3) vs Arizona 11 (6-0). Includes player stats for both teams and a score by innings table.

Score by Innings table for UC Santa Barbara vs Arizona. Shows runs, hits, and errors for each team across 7 innings.

E - Cavazos, S(2); Young(1); Edior(1). DP - ARIZ 1. LOB - UCSB 7; ARIZ 4. 2B - Johnston, J(2); Altmeyer, S(3); Dotson(2); Edior(1). HR - Watson(1); Mauga(3); Mercado(2); Statman(1). HBP - Clark, K; Mauga; Statman. SH - Johnston, J(1); Watson(2); Young(1); Bowling(1). SF - Bowling(1). SB - Watson(3).

Player statistics for UC Santa Barbara and Arizona, including IP, H, R, ER, BB, SO, AB, and BF.

Win - O'Toole (3-0). Loss - Gulvin, V (1-3). Save - None. HBP - by O'Toole (Clark, K); by Gulvin, V (Mauga); by Puente, C (Statman).

Umpires - HP: Bartling 1B: Price 3B: Tomlinson Start: 1:40 Time: 2:00 Attendance: 1984 Weather: 79, clear skies Gulvin, V faced 3 batters in the 5th. McQuillin faced 2 batters in the 7th.

2016 Arizona Softball
#4 LSU vs #9 Arizona
Feb 19, 2016 at Palm Springs, Calif. (BLD (Wrigley))

Table with 4 columns for LSU O (4-2) and Arizona 3 (7-0). Rows include Player, ab, r, h, rbi, bb, so, po, a, lo, b. Includes totals and score by innings.

Score by Innings 1 2 3 4 5 6 7 R H E
LSU 0 0 0 0 0 0 0 0 3 1
Arizona 0 0 0 3 0 X 3 6 0

E - Simmons. LOB - LSU 4; ARIZ 3. SH - Bowling(2); Statman(1). SF - Watson(1).

LSU ip h r er bb so ab bf Arizona ip h r er bb so ab bf
Allie Walljasper 4.1 5 3 1 0 2 17 19 O'Toole, Danielle 7.0 3 0 0 2 8 23 25
Carley Hoover 1.2 1 0 0 0 2 4 5

Win - O'Toole (4-0). Loss - Walljasper (0-2). Save - None.

Umpires - HP: Bennett 1B: Geierman 3B: Stobo
Start: 3:30 pm Time: 1:49 Attendance: 627
Weather: 80 degrees, sunny

2016 Arizona Softball
#25 Texas A&M vs #9 Arizona
Feb 21, 2016 at Palm Springs, Calif. (BLD (Yankee))

Table with 4 columns for Texas A&M 8 (10-1) and Arizona 4 (8-2). Rows include Player, ab, r, h, rbi, bb, so, po, a, lo, b, avg. Includes totals and score by innings.

Score by Innings 1 2 3 4 5 6 7 R H E
Texas A&M 1 2 4 0 0 1 0 8 10 1
Arizona 1 0 1 1 0 1 0 4 10 0

E - Alderink(1). DP - TAMU 1. LOB - TAMU 3; ARIZ 10. 2B - Perez(5). 3B - Statman(1). HR - Show (2)(3); Cuyos(3);
Mauga(4). SB - Milligan(1); Lanphear(2).

Texas A&M ip h r er bb so ab bf era Arizona ip h r er bb so ab bf era
Samantha Show 7.0 10 4 3 4 6 31 35 2.56 O'Toole, Danielle 2.2 9 7 7 0 3 17 17 2.83
Bowling, Nancy 4.1 1 1 1 1 7 14 15 1.50

Win - Show (6-1). Loss - O'Toole (5-1). Save - None.
WP - Show(5).

Umpires - HP: Sawyer 1B: Bluemel 3B: Webb
Start: 9 a.m. Time: 2:19 Attendance: 345
Weather: 70 degrees, sunny

2016 Arizona Softball
#9 Arizona vs Central Michigan
Feb 20, 2016 at Palm Springs, Calif. (BLD (Wrigley))

Table with 4 columns for Arizona 1 (7-1) and Central Michigan 4 (4-4). Rows include Player, ab, r, h, rbi, bb, so, po, a, lo, b. Includes totals and score by innings.

Score by Innings 1 2 3 4 5 6 7 R H E
Arizona 1 0 0 0 0 0 0 1 4 0
Central Michigan 1 0 2 0 1 0 X 4 10 1

E - Vieira, R. LOB - ARIZ 5; CMU 6. 2B - Kalina, M., HR - DeLamelle, C. SH - Vieira, R., SB - Hansen, S.;
Curtis, A..

Arizona ip h r er bb so ab bf Central Michigan ip h r er bb so ab bf
McQuillin, Taylor 5.0 10 4 4 1 5 23 25 UJVARI, Je. 7.0 4 1 0 2 12 25 27
Bowling, Nancy 1.0 0 0 0 0 2 3 3 KNAPP, Rachael 0.0 0 0 0 0 0 0 0

Win - Knapp, R.. Loss - McQuillin. Save - None.

Umpires - HP: Kershaw 1B: Bennett 3B: Cowan
Start: 10 a.m. Time: 1:35 Attendance: 424
Weather: 65 degrees, sunny

2016 Arizona Softball
Cal Poly vs #9 Arizona
Feb 21, 2016 at Palm Springs, Calif. (BLD (Yankee))

Table with 4 columns for Cal Poly 2 (6-4) and Arizona 0 (8-3). Rows include Player, ab, r, h, rbi, bb, so, po, a, lo, b. Includes totals and score by innings.

Score by Innings 1 2 3 4 5 6 7 R H E
Cal Poly 0 0 1 0 0 0 1 2 7 1
Arizona 0 0 0 0 0 0 0 0 4 2

E - Young: Mercado(1); Floyd(1). DP - ARIZ 2. LOB - CP 5; ARIZ 7. 2B - Tyler. HR - West. HBP - Statman. SH -
Sandoval. West: Bowling(2). SB - Perez(2); Hughes(3).

Cal Poly ip h r er bb so ab bf Arizona ip h r er bb so ab bf
Hyland, Sierra 7.0 4 0 0 2 9 23 28 Floyd, Michelle 3.0 6 1 1 1 0 4 14 15
Bowling, Nancy 4.0 1 1 1 2 3 10 13

Win - Hyland (4-2). Loss - Floyd (0-1). Save - None.
HBP - by Hyland (Statman).

Umpires - HP: Villa 1B: Webb 3B: Bluemel
Start: 11:30 am Time: 2:06 Attendance: 244
Weather: 74 degrees, sunny

2016 Arizona Softball
#9 Arizona vs #15 UCF
Feb 20, 2016 at Palm Springs, Calif. (BLD (Wrigley))

Table with 4 columns for Arizona 19 (8-1) and UCF 4 (4-5). Rows include Player, ab, r, h, rbi, bb, so, po, a, lo, b. Includes totals and score by innings.

Score by Innings 1 2 3 4 5 6 R H E
Arizona 0 3 1 1 3 11 19 18 1
UCF 1 0 3 0 0 0 4 4 3

E - Mauga: SOLIS, B.; McCLOSKEY, BREWER, C., LOB - ARIZ 7; UCF 4. 2B - Perez 2; Dotson; Bowling; Hughes. 3B -
McQuillin. HR - Statman; GILLESPIE, HBP - ROTTON, C.; UJVARI, Je., SH - Young. SB - Statman; Hughes.

Arizona ip h r er bb so ab bf UCF ip h r er bb so ab bf
O'Toole, Danielle 5.0 3 4 1 1 3 19 22 TURNIER, Shelby 4.2 8 8 5 4 5 23 28
Floyd, Michelle 1.0 1 0 0 0 1 4 4 CALIXTO, Manami 1.1 10 11 8 0 0 16 16

Win - O'Toole (5-0). Loss - TURNIER, S. (2-5). Save - None.
WP - TURNIER, S., HBP - by O'Toole (ROTTON, C.); by O'Toole (UJVARI, Je.). PB - GILLESPIE.

Umpires - HP: Koon 1B: Cowan 3B: Webb
Start: 12:30 pm Time: 2:14 Attendance: 625
Weather: 79 degrees, sunny

2016 Arizona Softball
Marshall vs #15 Arizona
Feb 26, 2016 at Tuscaloosa, Ala. (Rhoads Stadium)

Table with 4 columns for Marshall 6 (6-2) and Arizona 7 (9-3). Rows include Player, ab, r, h, rbi, bb, so, po, a, lo, b, avg. Includes totals and score by innings.

Score by Innings 1 2 3 4 5 6 7 R H E
Marshall 0 0 4 0 0 2 0 6 8 3
Arizona 0 0 2 2 3 0 0 7 9 1

E - DAISS, B.(1); MCCORD, T.(2); COLLIFLOWER,(1); Bowling(1). LOB - MAR 5; ARIZ 7. 2B - Perez(6); Mercado(4);
Young(3). HR - DAISS, B.(4). HBP - MCCORD, T.; LUCAS, K.; SB - ZERKLE, M. 2(10); Hughes(4). CS - Statman(1).

Marshall ip h r er bb so ab bf era Arizona ip h r er bb so ab bf era
DIXON, Jordan 6.0 9 7 3 3 6 29 32 1.95 O'Toole, Danielle 1.0 0 0 0 0 1 3 3 2.74

Win - McQuillin (3-1). Loss - DIXON, J. (5-2). Save - O'Toole (1).
WP - DIXON, J. (3). HBP - by McQuillin (MCCORD, T.); by McQuillin (LUCAS, K.).

Umpires - HP: Tim Kasate 1B: Scott Greger 3B: Leo Fleming
Start: 12 p.m. Time: 2:08 Attendance: 212
Weather: 47 degrees, sunny

2016 Arizona Softball
#15 Arizona at #4 Alabama
Feb 26, 2016 at Tuscaloosa, Ala. (Rhoads Stadium)

Arizona 3 (9-4)

Player ab r h rbi bb so po a lob

Alabama 4 (12-1)

Player ab r h rbi bb so po a lob

Score by Innings 1 2 3 4 5 6 7 R H E

Note: 1 out, 2 runners LOB when the game ended.

E - Mercado: Porter; O'Toole. LOB - ARIZ 3: UA 7. 2B - Dare. HBP - Perez. SB - Dotson; Hughes; McCleney; Case.

Arizona ip h r er bb so ab bf

Alabama ip h r er bb so ab bf

Win - Osorio (3-0). Loss - O'Toole (5-2). Save - None.

Umpires - Start: 6 p.m. Time: 2:09 Attendance: 683
Weather: 48 degrees, clear skies

2016 Arizona Softball
Marshall vs #15 Arizona
Feb 28, 2016 at Tuscaloosa, AL (Rhoads Stadium)

Marshall 3 (6-6)

Player ab r h rbi bb so po a lob

Arizona 6 (11-5)

Player ab r h rbi bb so po a lob

Score by Innings 1 2 3 4 5 6 7 R H E

E - Perez(1); Mercado(3). DP - ARIZ 1. LOB - MAR 4; ARIZ 5. 2B - DAISS, B. (3); Perez(7); Mercado(5). 3B - Hughes(1). HR - Perez(3); Bowling(3). HBP - Statman. SH - GREENE, K. (1). SB - ZERKLE, M. 2(12); Dotson(2).

Marshall ip h r er bb so ab bf

Arizona ip h r er bb so ab bf

Win - O'Toole (7-2). Loss - DIXON, J. (5-5). Save - None.

Umpires - HP: Scott Greger 1B: Leo Fleming 3B: Jeff Madaris
Start: 10:30 Time: 1:46 Attendance: 283
Weather: 55 degrees, sunny

2016 Arizona Softball
#15 Arizona vs #14 Tennessee
Feb 27, 2016 at Tuscaloosa, AL (Rhoads Stadium)

Arizona 1 (10-4)

Player ab r h rbi bb so po a lob

Tennessee 0 (9-4)

Player ab r h rbi bb so po a lob

Score by Innings 1 2 3 4 5 6 7 R H E

E - M. Geer(4). LOB - ARIZ 10; UT 6. 2B - M. Gregg(3). HR - Perez(2). SB - Mercado(1); M. Geer(4).

Arizona ip h r er bb so ab bf

Tennessee ip h r er bb so ab bf

Win - O'Toole (6-2). Loss - E. Gabriel (6-2). Save - None.

Umpires - HP: Will Lieske 1B: Tim Kasate 3B: Scott Greger
Start: 11:00 Time: 2:11 Attendance: 344
Weather: 43 degrees, sunny
E. Gabriel faced 2 batters in the 2nd.

2016 Arizona Softball
BYU at #15 Arizona
Mar 03, 2016 at Tucson, Ariz. (Hillenbrand Stadium)

BYU 4 (11-6)

Player ab r h rbi bb so po a lob

Arizona 2 (11-6)

Player ab r h rbi bb so po a lob

Score by Innings 1 2 3 4 5 6 7 R H E

E - LARSEN(3); Hughes(1). LOB - BYU 5; ARIZ 5. 2B - THOMPSON(3); Perez(8). HR - SUGG(10); BOND(3). SB - Perez(4); Hughes(6).

BYU ip h r er bb so ab bf

Arizona ip h r er bb so ab bf

Win - BULL (7-4). Loss - O'Toole (7-3). Save - None.

Umpires - HP: Vince Price 1B: Brandon Bluhm 3B: Mike Bartling
Start: 7 p.m. Time: 2:15 Attendance: 1850
Weather: 78 degrees, partly cloudy

2016 Arizona Softball
#15 Arizona at #4 Alabama
Feb 27, 2016 at Tuscaloosa, AL (Rhoads Stadium)

Arizona 1 (10-5)

Player ab r h rbi bb so po a lob

Alabama 9 (13-1)

Player ab r h rbi bb so po a lob

Score by Innings 1 2 3 4 5 6 7 R H E

Note: 1 out, 1 runner LOB when the game ended.
E - Grantham(2). LOB - ARIZ 4; UA 7. 2B - McCleney(2); Grantham(4); Turner(5). 3B - Grantham(1). HR - McCleney(1). SH - Turner(3). SB - Perez(3); Dare 2(6); Case(3).

Arizona ip h r er bb so ab bf

Alabama ip h r er bb so ab bf

Win - Littlejohn (5-1). Loss - McQuillin (3-2). Save - None.

Umpires - HP: Will Lieske 1B: Tim Kasate 3B: Scott Greger
Start: 1:45 Time: 1:57 Attendance:
Weather: 52 degrees, sunny

2016 Arizona Softball
Mount St. Mary's at #15 Arizona (Game 1)
Mar 04, 2016 at Tucson, Ariz. (Hillenbrand Stadium)

Mount St. Mary's 5 (0-12)

Player ab r h rbi bb so po a lob

Arizona 16 (12-6)

Player ab r h rbi bb so po a lob

Score by Innings 1 2 3 4 5 6 7 R H E

E - GREENEWALD(2); McFARLAND(1); MAYES 4(7); BUCKEL(4); SWEENEY(1); Dotson(1); Krist(1); McQuillin 2(2). LOB - MOUNT 5; ARIZ 7. 2B - Mercado(6); Mauga(3); Pasillas(1). HR - Perez(4); Mauga(5). SB - HEINZE, R. (2).

Mount St. Mary's ip h r er bb so ab bf

Arizona ip h r er bb so ab bf

Win - McQuillin (4-2). Loss - SWEENEY (0-3). Save - None.

Umpires - HP: Brandon Bluhm 1B: Brett Higgins 3B: Mike Bartling
Start: 4:15 pm Time: 2:00 Attendance:
Weather: 82, partly cloudy

2016 Arizona Softball
BYU at #15 Arizona (Game 2)
Mar 04, 2016 at Tucson, Ariz. (Hillenbrand Stadium)

BYU 3 (11-7) vs Arizona 6 (13-6) box score table with columns for Player, ab, r, h, rbi, bb, so, po, a, lob, avg.

Score by Innings table for Game 2 showing runs, hits, errors, and total score.

E - LARSEN(5); Perez(3); Mauga(4); Hughes(3). DP - ARIZ 1. LOB - BYU 6; ARIZ 4. HR - Mauga 2(9).
Win - O'Toole (8-3). Loss - BULL (7-5). Save - None.
WP - O'Toole(3).
Umpires - HP: Vince Price 1B: Eric Hawthorne 3B: Scott Tomlinson
Start: 6:40 pm Time: 2:00 Attendance: 1974
Weather: 74, partly cloudy

2016 Arizona Softball
#10 James Madison at #15 Arizona
Mar 06, 2016 at Tucson, Ariz. (Hillenbrand Stadium)

James Madison 4 (17-1) vs Arizona 2 (15-7) box score table with columns for Player, ab, r, h, rbi, bb, so, po, a, lob, avg.

Score by Innings table for Game 2 showing runs, hits, errors, and total score.

E - Tolle, M 2(6); Bowling(3); Miller(2). DP - ARIZ 1. LOB - JMU 6; ARIZ 10. 2B - Good, M(6). HR - Newton, T(4); Buddie, A(1). HBP - Bowling.
Win - Ford, J (7-0). Loss - McQuillin (5-3). Save - None.
WP - Ford, J(1). HBP - by Ford, J (Bowling). Pitches/strikes: Ford, J 129/82; McQuillin 118/76.
Umpires - HP: Brandon Bluhm 1B: Scott Tomlinson 3B: Mike Bartling
Start: 1 p.m. Time: 2:00 Attendance: 1898
Weather: 75, cloudy

2016 Arizona Softball
Saint Francis at #15 Arizona (Game 1)
Mar 05, 2016 at Tucson, Ariz. (Hillenbrand Stadium)

Saint Francis 4 (9-12) vs Arizona 6 (14-6) box score table with columns for Player, ab, r, h, rbi, bb, so, po, a, lob, avg.

Score by Innings table for Game 1 showing runs, hits, errors, and total score.

E - Seneca, J (7); Santai, E (3); Miller(1). LOB - SFU 8; ARIZ 7. 2B - Norton, H (4); Witthus, K (5); McKee, C (4); Dotson(4). HR - McKee, C (3); Perez(5); Mauga(10); Young 2(3). HBP - Bower, A. SH - Bowling(5). SB - McKee, S (2); Marconi, K (1); Perez(5); Dotson(3); Hughes (2).
Win - O'Toole (9-3). Loss - Santai, E. (2-5). Save - None.
HBP - by O'Toole (Bower, A). Pitches/strikes: Santai, E. 37/19; Bower, A. 83/44; O'Toole 98/68; Bowling 33/22.
Umpires - HP: Scott Tomlinson 1B: Mike Bartling 3B: Brett Higgins
Start: 4:15pm Time: 2:15 Attendance:
Weather: 82, partly cloudy

2016 Arizona Softball
#9 James Madison at #18 Arizona
Mar 09, 2016 at Tucson, Ariz. (Hillenbrand Stadium)

James Madison 6 (18-1) vs Arizona 1 (15-8) box score table with columns for Player, ab, r, h, rbi, bb, so, po, a, lob, avg.

Score by Innings table for Game 1 showing runs, hits, errors, and total score.

E - Hughes(4); O'Toole(2). DP - ARIZ 1. LOB - JMU 7; ARIZ 9. 2B - Ford, J(6). HR - Tolle, M(5); Statman(3). HBP - Bowling. SB - Prince, N(2/5); Brammer, K(1).
Win - Good, M (11-1). Loss - O'Toole (9-4). Save - None.
HBP - by Good, M (Bowling). Pitches/strikes: Good, M 106/69; O'Toole 91/65; Floyd 32/19.
Umpires - HP: Mike Bartling 1B: Vince Price 3B: Brandon Bluhm
Start: 6 p.m. Time: 2:06 Attendance: 1933
Weather: 73 degrees, clear skies

2016 Arizona Softball
UTEP at #15 Arizona (Game 2)
Mar 05, 2016 at Tucson, Ariz. (Hillenbrand Stadium)

UTEP 1 (8-12) vs Arizona 9 (15-6) box score table with columns for Player, ab, r, h, rbi, bb, so, po, a, lob, avg.

Score by Innings table for Game 2 showing runs, hits, errors, and total score.

E - Clayton, C(4); Ryder, K(2); Pepi, K(5); Perez(4); Mercado(4); Bowling(2); Hughes(4). DP - UTEP 1. LOB - UTEP 5; ARIZ 6. SH - Netane, K(2). SF - Krist(1). SB - Perez(6); Hughes(9); Miller(1).
Win - McQuillin (5-2). Loss - Fifield, K (2-6). Save - None.
Pitches/strikes: Fifield, K 93/51; Harrawood, E 45/20; McQuillin 92/67.
Umpires - HP: Scott Tomlinson 1B: Mike Bartling 3B: Brett Higgins
Start: 7 p.m. Time: 1:50 Attendance: 2217
Weather: 75, clear skies

2016 Arizona Softball
Texas vs #18 Arizona
Mar 12, 2016 at Arlington, Texas (Allan Saxe Field)

Texas 2 (16-4) vs Arizona 3 (16-8) box score table with columns for Player, ab, r, h, rbi, bb, so, po, a, lob, avg.

Score by Innings table for Game 1 showing runs, hits, errors, and total score.

Note: 1 out, 1 runner LOB when the game ended.
E - Ceo(7); Mercado(5). LOB - TEXAS 8; ARIZ 10. 2B - Felix(2); Hughes(2). HR - Stephens(4); Mauga(9). SH - Wong(8); Hathaway(2); Statman(2). SF - Mercado(1). SB - Miller(2).
Win - McQuillin (6-3). Loss - Davis (10-3). Save - None.
WP - Davis(3).
Umpires -
Start: 3:30 pm Time: 2:36 Attendance: 618
Weather: 69 degrees, cloudy

2016 Arizona Softball #17 Arizona at #5 Oregon May 01, 2016 at Eugene, Ore. (Jane Sanders Stadium)

Arizona 0 (32-17,9-9 Pac-12)

Oregon 8 (38-6,16-2 Pac-12)

Table with columns: Player, ab, r, h, rbi, bb, so, po, a, lob. Lists players like Perez, Mandie lf, Watson, Eva cf, etc.

Table with columns: Player, ab, r, h, rbi, bb, so, po, a, lob. Lists players like Lilley, J. 3b, Gillespie, A rf, etc.

Score by Innings table with columns: 1, 2, 3, 4, 5, R, H, E. Shows Oregon leading 8-0.

Score by Innings table with columns: 1, 2, 3, 4, 5, R, H, E. Shows Oregon leading 8-0.

Note: 2 outs, 3 runners LOB when the game ended.

E - Mauga; Krist, McQuillin. LOB - ARIZ 2; Oregon 9. 3B - Lilley, J.; HR - Lindvall, J.; Lindvall, L. HBP - Mercado; Lilley, J.; Puentes, S.

Table with columns: Arizona, ip, h, r, er, bb, so, ab, bf. Lists pitchers like O'Toole, Danielle p, McQuillin, Taylor p, etc.

Table with columns: Oregon, ip, h, r, er, bb, so, ab, bf. Lists pitchers like Hawkins, C., Young, Lauren c, etc.

Win - Hawkins, C. (16-3). Loss - O'Toole (18-10). Save - None. WP - McQuillin. HBP - by Hawkins, C. (Mercado); by McQuillin (Puentes, S.); by McQuillin (Lilley, J.).

Umpires - HP: Vinco Price 1B: Smokey Edds 3B: Bill Plante Start: 12:02 pm Time: 2:14 Attendance: 2416 Weather: 62 degrees, sunny O'Toole faced 3 batters in the 4th. McQuillin faced 1 batter in the 5th. Floyd faced 2 batters in the 5th.

2016 Arizona Softball Oregon State at #18 Arizona May 08, 2016 at Tucson, Ariz. (Hillenbrand Stadium)

Oregon State 1 (28-18-1,7-14 Pac-12)

Arizona 10 (34-18,11-10 Pac-12)

Table with columns: Player, ab, r, h, rbi, bb, so, po, a, lob, avg. Lists players like Arriola, McKenna ss, Weeks, Shelby rf, etc.

Table with columns: Player, ab, r, h, rbi, bb, so, po, a, lob, avg. Lists players like Perez, Mandie lf, Hughes, Ashleigh 2b, etc.

Score by Innings table with columns: 1, 2, 3, 4, 5, R, H, E. Shows Arizona leading 10-1.

Score by Innings table with columns: 1, 2, 3, 4, 5, R, H, E. Shows Arizona leading 10-1.

DP - OSU 1. LOB - OSU 2; ARIZ 3. 2B - Anthony, M.(9); Perez(11). HR - Mercado(8); Mauga(18). HBP - Statman. SF - Perez(1).

Table with columns: Oregon State, ip, h, r, er, bb, so, ab, bf, np, era. Lists pitchers like Miller, Bev p, Cotton, Taylor p, etc.

Table with columns: Arizona, ip, h, r, er, bb, so, ab, bf, np, era. Lists pitchers like O'Toole, Danielle p, etc.

Win - O'Toole (20-10). Loss - Miller, B. (12-10). Save - None. WP - Miller, B.(10); Cotton, T.(3). HBP - by Miller, B. (Statman). Pitches/strikes: Miller, B. 96/55; Cotton, T. 24/8; O'Toole 76/49.

Umpires - HP: James Colzie 1B: Eddie Cooper 3B: Brandon Bluhm Start: 12 p.m. Time: 1:40 Attendance: 1940 Weather: 72 degrees, partly cloudy

2016 Arizona Softball Oregon State at #18 Arizona May 06, 2016 at Tucson, Ariz. (Hillenbrand Stadium)

Oregon State 0 (27-17-1,6-13 Pac-12)

Arizona 6 (33-17,10-9 Pac-12)

Table with columns: Player, ab, r, h, rbi, bb, so, po, a, lob, avg. Lists players like Arriola, McKenna ss, Weeks, Shelby rf, etc.

Table with columns: Player, ab, r, h, rbi, bb, so, po, a, lob, avg. Lists players like Perez, Mandie lf, Hughes, Ashleigh 2b, etc.

Score by Innings table with columns: 1, 2, 3, 4, 5, 6, 7, R, H, E. Shows Arizona leading 6-0.

Score by Innings table with columns: 1, 2, 3, 4, 5, 6, 7, R, H, E. Shows Arizona leading 6-0.

E - Weeks, S.; Shafer, K.; Garcia, J.; DP - ARIZ 2. LOB - OSU 3; ARIZ 2. 2B - Shafer, K.; 3B - Perez. HR - Krist. SF - Mercado. SB - Perez. CS - Sassi, M.

Table with columns: Oregon State, ip, h, r, er, bb, so, ab, bf, np, era. Lists pitchers like Nelson, Meehra p, etc.

Table with columns: Arizona, ip, h, r, er, bb, so, ab, bf, np, era. Lists pitchers like O'Toole, Danielle p, etc.

Win - O'Toole (19-10). Loss - Nelson, M. (15-9). Save - None. Pitches/strikes: Nelson, M. 107/68; O'Toole 96/63.

Umpires - HP: Eddie Cooper 1B: Brandon Bluhm 3B: James Colzie Start: 5:05 pm Time: 1:45 Attendance: 1970 Weather: 78 degrees, sunny

2016 Arizona Softball California at #18 Arizona May 12, 2016 at Tucson, Ariz. (Hillenbrand Stadium)

California 0 (30-21-1,10-10-1 Pac-12)

Arizona 8 (35-18,12-10 Pac-12)

Table with columns: Player, ab, r, h, rbi, bb, so, po, a, lob, avg. Lists players like Jackson, Jazmyn cf, Reed, Kylie 2b, Rood, Lindsay ss, etc.

Table with columns: Player, ab, r, h, rbi, bb, so, po, a, lob, avg. Lists players like Perez, Mandie lf, Hughes, Ashleigh 2b, etc.

Score by Innings table with columns: 1, 2, 3, 4, 5, R, H, E. Shows Arizona leading 8-0.

Score by Innings table with columns: 1, 2, 3, 4, 5, R, H, E. Shows Arizona leading 8-0.

E - Finch, K(3); Krist(6). LOB - CAL 4; ARIZ 4. 2B - Krist(1). HR - Bowling(4); Young(6). HBP - Statman. SH - Rood, L(2); Watson(5).

Table with columns: California, ip, h, r, er, bb, so, ab, bf, np, era. Lists pitchers like Ontiveros, Nisa p, Sutherland-Finch, K, etc.

Table with columns: Arizona, ip, h, r, er, bb, so, ab, bf, np, era. Lists pitchers like O'Toole, Danielle p, etc.

Win - O'Toole (21-10). Loss - Ontiveros, N (15-6). Save - None. WP - Ontiveros, N(12). HBP - by Ontiveros, N (Statman). Pitches/strikes: Ontiveros, N 69/50; Finch, K 23/15; O'Toole 68/45.

Umpires - HP: Tracy Hart 1B: Jim Bertuzzi 3B: Christina Drummond Start: 7:05 pm Time: 1:45 Attendance: 2015 Weather: 92 degrees, clear skies

2016 Arizona Softball Oregon State at #18 Arizona May 07, 2016 at Tucson, Ariz. (Hillenbrand Stadium)

Oregon State 2 (28-17-1,7-13 Pac-12)

Arizona 1 (33-18,10-10 Pac-12)

Table with columns: Player, ab, r, h, rbi, bb, so, po, a, lob. Lists players like Arriola, McKenna ss, Weeks, Shelby rf, etc.

Table with columns: Player, ab, r, h, rbi, bb, so, po, a, lob. Lists players like Perez, Mandie lf, Hughes, Ashleigh 2b, etc.

Score by Innings table with columns: 1, 2, 3, 4, 5, 6, 7, R, H, E. Shows Oregon State leading 2-1.

Score by Innings table with columns: 1, 2, 3, 4, 5, 6, 7, R, H, E. Shows Oregon State leading 2-1.

E - Anthony, M.(8); Garcia, J.(4). DP - OSU 1. LOB - OSU 2; ARIZ 10. 2B - Statman(6). HR - Shafer, K.(4). HBP - Statman. CS - Lopez, L.(2).

Table with columns: Oregon State, ip, h, r, er, bb, so, ab, bf, np. Lists pitchers like Miller, Bev p, Nelson, Meehra p, etc.

Table with columns: Arizona, ip, h, r, er, bb, so, ab, bf, np. Lists pitchers like McQuillin, Taylor p, etc.

Win - Miller, B. (12-9). Loss - McQuillin (12-7). Save - Nelson, M. (6). HBP - by Miller, B. (Statman). Pitches/strikes: Miller, B. 113/56; Nelson, M. 9/6; McQuillin 91/60.

Umpires - HP: Brandon Bluhm 1B: James Colzie 3B: Eddie Cooper Start: 2:05 pm Time: 1:50 Attendance: 2010 Weather: 76 degrees, sunny

2016 Arizona Softball California at #18 Arizona May 13, 2016 at Tucson, Ariz. (Hillenbrand Stadium)

California 5 (31-21-1,11-10-1 Pac-12)

Arizona 3 (35-19,12-11 Pac-12)

Table with columns: Player, ab, r, h, rbi, bb, so, po, a, lob, avg. Lists players like Jackson, Jazmyn 2b, Rood, Lindsay ss, Aldrete, Annie c, etc.

Table with columns: Player, ab, r, h, rbi, bb, so, po, a, lob, avg. Lists players like Perez, Mandie lf, Hughes, Ashleigh 2b, etc.

Score by Innings table with columns: 1, 2, 3, 4, 5, 6, 7, R, H, E. Shows California leading 5-3.

Score by Innings table with columns: 1, 2, 3, 4, 5, 6, 7, R, H, E. Shows California leading 5-3.

E - McQuillin(3). LOB - CAL 5; ARIZ 4. 2B - Mercado(11). 3B - Pettis, K(1). HR - Laxamana, A(1); Mauga(19). SF - Mauga(3).

Table with columns: California, ip, h, r, er, bb, so, ab, bf, np, era. Lists pitchers like Ontiveros, Nisa p, etc.

Table with columns: Arizona, ip, h, r, er, bb, so, ab, bf, np, era. Lists pitchers like McQuillin, Taylor p, etc.

Win - Ontiveros, N (16-6). Loss - McQuillin (12-8). Save - None. WP - Ontiveros, N(13). Pitches/strikes: Ontiveros, N 94/62; McQuillin 59/39; Bowling 61/41.

Umpires - HP: Jim Bertuzzi 1B: Christina Drummond 3B: Tracy Hart Start: 5:05 pm Time: 2:00 Attendance: 1930 Weather: 99 degrees, partly cloudy

**2016 Arizona Softball
California at #18 Arizona
May 14, 2016 at Tucson, Ariz. (Hillenbrand Stadium)**

California 2 (31-22-1,11-11-1 Pac-12)

Arizona 11 (36-19,13-1 Pac-12)

Player	ab	r	h	rbi	bb	so	po	a	lob	avg
Jackson, Jazmyan 2b	3	0	0	0	0	2	3	0	0	.376
Rood, Lindsay ss	3	1	2	0	0	0	3	0	0	.375
Aldrete, Annie c	2	0	1	0	1	0	1	0	1	.265
Pettis, Koble 1b	3	1	1	1	0	1	9	0	0	.323
Taylor, Khala lf	2	0	1	1	0	1	0	2	.284	
Laxamana, Aleah dp	3	0	0	0	1	0	0	2	.172	
Koenig, Taylor 3b	2	0	0	0	1	1	2	0	.193	
Pogue, Taurie 3b	0	0	0	0	0	0	0	0	.279	
Bond, Octavia rf	1	0	0	0	1	0	0	0	.364	
Melija, Jasmin lf	2	0	0	0	1	2	0	1	.184	
McCue, Krysten cf	2	0	0	0	2	0	0	0	.247	
Cullen, Kristin p	0	0	0	0	0	0	1	0	-	
Shaw, Kourtney p	0	0	0	0	0	0	0	0	-	
Totals	23	2	5	2	2	9	17	9	6	

Score by Innings

	1	2	3	4	5	6	7	8	9	R	H	E
California	1	0	0	0	0	1	2	5	3			
Arizona	0	5	0	0	3	3	11	11	1			

E - Jackson, J(6); Taylor, K(2); Pogue, T(3); Hughes(7); DP - CAL 1. LOB - CAL 6; ARIZ 3. 2B - Statman(7); HR - Pettis, K(3); Perez(11); Mauga(20); Bowling(5); Dotson(3); SH - Koenig, T(4); Hughes(4); Bowling(6); SF - Hughes(1); SB - Rood, L(21); Pettis, K(3); Taylor, K(10).

California	ip	h	r	er	bb	so	ab	bf	np	era
Cullen, Kristin	1.1	6	5	1	0	8	10	30	4.36	
Shaw, Kourtney	4.1	5	6	3	1	18	21	73	3.39	
Arizona	ip	h	r	er	bb	so	ab	bf	np	era
O'Toole, Danielle	6.0	5	2	2	2	9	23	26	91	2.14

Win - O'Toole (22-10). Loss - Cullen, K (3-3). Save - None.
Pitches/Strikes: Cullen, K 30/18; Shaw, K 73/41; O'Toole 91/58.

Umpires - HP: Christina Drumm 1B: Tracy Hart 3B: Jim Bertuzzi
Start: 2:05 pm Time: 1:51 Attendance: 1897
Weather: 95 degrees, cloudy

**2016 Arizona Softball
Ohio State vs Arizona
May 20, 2016 at Knoxville, Tenn. (Lee Stadium)**

Ohio State 0 (33-19-1)

Arizona 2 (37-19)

Player	ab	r	h	rbi	bb	so	po	a	lob
White cf	3	0	0	0	0	1	0	0	0
Bayne rf	2	0	0	0	1	0	0	0	0
Pranti lf	3	0	0	0	0	4	0	2	
McIntyre ss	2	0	1	0	0	3	0	0	
Clark 2b	2	0	1	0	0	3	0	0	
Machovina 1b	2	0	0	0	0	0	0	0	
Vargas ph	1	0	0	0	1	0	0	0	
Leonard dh	2	0	0	0	2	0	0	2	
Goodwin ph	1	0	0	0	0	0	0	0	
Kirk 3b	1	0	0	0	0	0	1	0	
Saibene ph	1	0	0	0	0	0	0	0	
Betschel ph	1	0	0	0	0	0	0	1	
Gavin c	1	0	0	0	1	0	1	0	
Hursh p	0	0	0	0	0	0	0	0	
Totals	22	0	2	0	2	3	18	2	5

Score by Innings

	1	2	3	4	5	6	7	8	9	R	H	E
Ohio State	0	0	0	0	0	0	0	0	2	0		
Arizona	0	0	0	2	0	0	X	2	5	1		

E - Bowling(4); DP - ARIZ 1. LOB - OSU 5; ARIZ 4. 2B - Clark(10); HR - Mauga(21); HBP - McIntyre. SH - Clark(2); Bowling(7); CS - Perez(3).

Ohio State	ip	h	r	er	bb	so	ab	bf
Hursh	6.0	5	2	2	2	7	21	24
Arizona	ip	h	r	er	bb	so	ab	bf
O'Toole, Danielle	7.0	2	0	0	2	3	22	26

Win - O'Toole (23-10). Loss - Hursh (15-10). Save - None.
HBP - by O'Toole (McIntyre).

Umpires - HP: Shane Jackson 1B: Sue Sawyer 3B: Mike Bartling
Start: 4:41 PM Time: 2:00 Attendance:
Weather: 69 degrees, cloudy
Game notes:
Postponed at 5:25 PM ET on 5/20 due to rain. Resumed at 10 AM ET on 5/21.

**2016 Arizona Softball
Arizona at #13 Tennessee
May 21, 2016 at Knoxville, Tenn. (Lee Stadium)**

Arizona 4 (38-19)

Tennessee 0 (42-15)

Player	ab	r	h	rbi	bb	so	po	a	lob
Perez, Mandie lf	4	0	2	0	0	1	0	1	0
Hughes, Ashleigh 2b	4	0	0	0	0	1	3	0	0
Mercado, Mo ss	3	1	1	0	0	2	1	0	0
Mauga, Katiyana 3b	4	1	1	1	0	0	3	0	0
Bowling, Nancy 1b	4	1	2	1	0	2	9	1	2
Miller, Merrilee pr	0	0	0	0	0	0	0	0	0
Young, Lauren c	3	0	2	1	0	0	8	0	0
Statman, Tamara dh	2	0	1	1	0	0	0	0	0
Dotson, Alexis rf	2	0	0	0	1	2	0	2	0
Krist, Joelle ph	1	0	0	0	1	0	0	1	0
Watson, Eva cf	3	1	1	0	0	1	0	0	0
O'Toole, Danielle p	0	0	0	0	0	0	0	0	0
Totals	30	4	10	4	1	5	21	9	7

Score by Innings

	1	2	3	4	5	6	7	8	9	R	H	E
Arizona	0	0	0	0	0	3	1	4	10	0		
Tennessee	0	0	0	0	0	0	0	0	1	1		

E - M. Geer(10); LOB - ARIZ 7; UT 1; SF - Statman(3); SB - Perez(12); B. Vines(19).

Arizona	ip	h	r	er	bb	so	ab	bf
O'Toole, Danielle	7.0	1	0	0	0	7	22	22
Tennessee	ip	h	r	er	bb	so	ab	bf
M. Moss	5.1	8	3	3	0	3	24	24
E. Gabriel	1.2	2	1	1	1	2	6	8

Win - O'Toole (24-10). Loss - M. Moss (12-5). Save - None.
WP - M. Moss(4).

Umpires - HP: Sue Sawyer 1B: Shane Jackson 3B: Mark Thompson
Start: 2:50 PM Time: 2:17 Attendance:
Weather: 68 degrees

**2016 Arizona Softball
#13 Tennessee at Arizona
May 22, 2016 at Knoxville, Tenn. (Lee Stadium)**

Tennessee 3 (43-16)

Arizona 4 (39-19)

Player	ab	r	h	rbi	bb	so	po	a	lob
B. Vines lf	4	0	1	0	0	0	3	0	3
A. Leach 2b	4	1	1	0	0	0	5	2	0
M. Gregg ss	3	1	1	0	1	1	3	0	0
M. Geer 3b	4	0	1	0	0	1	1	1	2
L.Overstreet c	4	1	3	0	2	4	1	1	0
G. Aucoin 1b	3	0	0	1	2	5	1	0	0
S. Geathers rf	3	0	0	1	0	2	0	1	0
A. Lockman dh	1	0	0	0	1	0	0	0	0
S.Huffstetle pr	0	0	0	0	0	0	0	0	0
L. Lilley lf	1	0	0	0	1	0	0	0	0
CJ McClain cf	2	0	1	0	0	1	0	0	0
S. McSwain ph	1	0	0	0	1	0	0	0	0
E. Gabriel p	0	0	0	0	0	0	0	0	0
M. Moss p	0	0	0	0	0	0	0	0	0
Totals	30	3	6	3	4	9	22	8	7

Score by Innings

	1	2	3	4	5	6	7	8	9	R	H	E
Tennessee	0	0	0	3	0	0	0	0	0	3	6	3
Arizona	0	0	1	0	2	0	0	1	4	6	0	

Note: 1 out, 1 runner LOB when the game ended.

E - B. Vines(5); M. Gregg(9); L.Overstreet(6); LOB - UT 7; ARIZ 8; HR - L.Overstreet(13); SH - Young 2(7); SF - Mercado(4); SB - A. Leach(12); M. Geer(25).

Tennessee	ip	h	r	er	bb	so	ab	bf
E. Gabriel	5.1	5	2	1	3	3	20	25
M. Moss	2.0	1	2	0	1	1	7	9
Arizona	ip	h	r	er	bb	so	ab	bf
O'Toole, Danielle	5.1	4	3	3	1	5	20	21
McQuillin, Taylor	2.2	2	0	0	0	3	4	10

Win - O'Toole (25-10). Loss - E. Gabriel (21-7). Save - None.
PB - L.Overstreet(15).

Umpires - HP: Mike Bartling 1B: Mark Thompson 3B: Shane Jackson
Start: 2:45 pm Time: 2:50 Attendance: 1579
Weather: Clear
E. Gabriel faced 1 batter in the 4th.
M. Moss faced 1 batter in the 6th.
McQuillin faced 2 batters in the 7th.

NCAA Record: 160-53; WCWS: 61-32; Regionals: 88-10; Super Regionals 12-11

- 1987 **At-Large Regional, Tempe Arizona:**
Arizona State 4, Arizona 3
Arizona State 5, Arizona 0
- 1988 **Midwest Regional, Tucson, Ariz.:**
Arizona 5, Minnesota 0
South Carolina 1, Arizona 0
Arizona 1, South Carolina 0
Arizona 4, South Carolina 3
College World Series, San Jose:
Arizona 1, Adelphi 0
Arizona 4, Cal Poly-Pomona 1
UCLA 5, Arizona 0
Fresno State 4, Arizona 0
- 1989 **Region 6, Tempe, Ariz.:**
Arizona 8, Utah State 3
Arizona 3, Arizona State 2 (8 innings)
Arizona 3, Arizona State 0
College World Series, San Jose:
Arizona 12, Fresno State 0 (5 innings)
Oklahoma State 4, Arizona 0 (8 innings)
Arizona 4, Oregon 0
UCLA 3, Arizona 0
- 1990 **Region 3, Tucson, Ariz.:**
Arizona State 1, Arizona 0
Arizona 1, Arizona State 0
Arizona 9, Arizona State 5
College World Series, Oklahoma City:
Oklahoma State 3, Arizona 0
Fresno State 1, Arizona 0
- 1991 **Region 4, Tempe Ariz.:**
Arizona 4, Arizona State 2
Arizona 4, Arizona State 0
College World Series, Oklahoma City:
Arizona 1, UNLV 0 (13 innings)
Arizona 1, UCLA 0 (9 innings)
Arizona 1, LBSU 0 (8 innings)
Fresno State 1, Arizona 0 (8 innings)
Arizona 5, UCLA 1 - TITLE GAME
- 1992 **Region 2, Tucson, Ariz.:**
Arizona 1, Michigan 0
Arizona 8, Michigan 0
College World Series, Oklahoma City:
Long Beach State 1, Arizona 0
Arizona 1, Kansas 0 (17 innings)
Arizona 2, California 1
Arizona 1, Fresno State 0
UCLA 1, Arizona 0 - TITLE GAME
- 1993 **Region 3, Tucson, Ariz.:**
Arizona 1, Arizona State 0
Arizona 7, Arizona State 2
College World Series, Oklahoma City:
Arizona 6, Long Beach State 0
Arizona 2, Southwestern La. 1 (10 innings)
Arizona 1, Oklahoma State 0
Southwestern La. 1, Arizona 0
Arizona 1, UCLA 0 - TITLE GAME
- 1994 **Region 1, Tucson, Ariz.:**
Arizona 7, Canisius 0
Arizona 5, Texas A&M 0
Arizona 6, Texas A&M 0
College World Series, Oklahoma City:
Arizona 8, Illinois-Chicago 0 (5 innings)
Arizona 3, Fresno State 0
Arizona 5, UCLA 2
Arizona 4, CSUN 0 - TITLE GAME
- 1995 **Tucson, Ariz., Regional:**
Arizona 8, Ohio Univ. 0 (5 innings)
Arizona 9, Nebraska 1 (6 innings)
Arizona 15, Florida State 0 (5 innings)
College World Series, Oklahoma City:
Arizona 9, Princeton 1 (5 innings)
Arizona 11, CS-Fullerton 0 (5 innings)
Arizona 8, UNLV 0 (6 innings)
UCLA 4, Arizona 2 - TITLE GAME
- 1996 **Tallahassee, Fla., Regional:**
Arizona 8, Troy State 0 (5 innings)
Arizona 9, Florida State 6
Arizona 10, Florida State 3
College World Series, Columbus, Ga.
Arizona 5, Iowa 2
Arizona 4, UCLA 0
Arizona 10, Iowa 2 (6 innings)
Arizona 6, Washington 4 - TITLE GAME
- 1997 **Tucson, Ariz., Regional:**
Arizona 11, Rider 2 (5 innings)
Arizona 2, Nebraska 0
Arizona 5, Nebraska 1
College World Series, Oklahoma City:
Arizona 2, Massachusetts 1
Arizona 2, UCLA 0
Fresno State 3, Arizona 0
Arizona 6, Fresno State 3
Arizona 10, UCLA 2 (5 innings) - TITLE GAME
- 1998 **Tucson, Ariz. Regional:**
Arizona 14, Niagara 0 (5 innings)
Arizona 10, Pacific 0 (5 innings)
Arizona 7, Pacific 0
College World Series, Oklahoma City:
Arizona 1, Oklahoma State 0
Arizona 8, Washington 0 (5 innings)
Arizona 5, Oklahoma State 0
Fresno State 1, Arizona 0 - TITLE GAME
- 1999 **Tucson, Ariz. Regional:**
Arizona 9, East Carolina 1 (5 innings)
Arizona 8, Southwest Texas State 0
Maryland 7, Arizona 3
Arizona 6, Kansas 1
Arizona 10, Maryland 0 (5 innings)
Arizona 8, Maryland 0 (5 innings)
College World Series, Oklahoma City:
Arizona 3, California 0
Washington 3, Arizona 0
DePaul 1, Arizona 0
- 2000 **Tucson, Ariz. Regional:**
Arizona 8, Middle Tennessee 0 (6 innings)
Arizona 10, Massachusetts 0 (6 innings)
Arizona 13, Nebraska 0 (5 innings)
Arizona 5, Nebraska 0
College World Series, Oklahoma City:
Southern Mississippi 1, Arizona 0
Arizona 6, California 0
Arizona 4, Washington 2
Oklahoma 1, Arizona 0
- 2001 **Tucson, Ariz. Regional:**
Arizona 4, Saint Peter's 2
Arizona 8, Texas Tech 0 (6 innings)
Arizona 5, CS Fullerton 4
Arizona 6, Southwest Texas State 2
College World Series, Oklahoma City:
Arizona 3, California 2
Arizona 5, Oklahoma 4
Arizona 1, Stanford 0
Arizona 1, UCLA 0 - TITLE GAME
- 2002 **Region 2, Minneapolis:**
Arizona 4, Boston University 1
Arizona 4, Penn State 3
Arizona 2, DePaul 0
DePaul 6, Arizona 0
Arizona 8, DePaul 0 (5 innings)
College World Series, Oklahoma City:
Arizona 1, Nebraska 0
Arizona 1, Arizona State 0
Arizona 6, Florida State 2 (11 innings)
California 6, Arizona 0 - TITLE GAME
- 2003 **Region 1, Tucson, Ariz.:**
Arizona 11, Colorado State 1
Arizona 4, Minnesota 0
Arizona 3, Texas A&M 0
Arizona 10, Texas A&M 5
College World Series, Oklahoma City:
Arizona 3, Alabama 2
Arizona 2, Washington 1
California 2, Arizona 1
California 4, Arizona 1
- 2004 **Region 1, Tucson, Ariz.:**
Arizona 2, Centenary 1
Arizona 4, Louisiana-Lafayette 0
Oklahoma 3, Arizona 2
Louisiana-Lafayette 5, Arizona 0
- 2005 **Region 3, Tucson, Ariz.:**
Arizona 12, Lehigh 0
Arizona 3, Oklahoma State 0
Arizona 2, Oklahoma State 1 (8 innings)
Tucson Super Regional:
Arizona 6, Oklahoma 0
Arizona 7, Oklahoma 6
College World Series, Oklahoma City:
Tennessee 1, Arizona 0
Arizona 3, California 2 (12 innings)
Texas 1, Arizona 0 (11 innings)

2006 **Region 3, Tucson, Ariz.:**

Arizona 9, Marist 0 (5 innings)
 Arizona 6, Ohio State 3
 Arizona 4, Auburn 2

Tucson Super Regional:

Arizona 5, LSU 0
 LSU 3, Arizona 2
 Arizona 14, LSU 5 (5 innings)

College World Series, Oklahoma City:

Arizona 3, Oregon State 2 (9 innings)
 Arizona 2, Texas 0
 Tennessee 1, Arizona 0
 Arizona 6, Tennessee 0
 CHAMPIONSHIP SERIES
 Arizona 8, Northwestern 0
 Arizona 5, Northwestern 0

2007 **Region 1, Tucson, Ariz.:**

Arizona 9, Howard 0 (5 innings)
 Arizona 8, Mississippi State 0
 Arizona 7, Pacific 0

Tucson Super Regional:

Arizona 11, Cal State Fullerton 6
 Arizona 2, Cal State Fullerton 1

College World Series, Oklahoma City:

Arizona 2, Baylor 1 (9 innings)
 Tennessee 1, Arizona 0
 Arizona 3, DePaul 0
 Arizona 2, Washington 0
 Arizona 8, Washington 1
 CHAMPIONSHIP SERIES
 Tennessee 1, Arizona 0
 Arizona 1, Tennessee 0 (10 innings)
 Arizona 5, Tennessee 0

2008 **Region 7, Hempstead, N.Y.:**

Arizona 11, Canisius 0 (5 innings)
 Arizona 10, Hofstra 0 (5 innings)
 Arizona 5, Hofstra 0

Tucson Super Regional:

Arizona 3, Oklahoma 1
 Oklahoma 2, Arizona 0
 Arizona 5, Oklahoma 2

College World Series, Oklahoma City:

UCLA 1, Arizona 0
 Alabama 5, Arizona 1

2009 **Region 9, Louisville, Ky.:**

Arizona 9, UT-Martin 3
 Arizona 18, Louisville 4 (5 innings)
 Arizona 4, Purdue 2

Palo Alto Super Regional:

Stanford 6, Arizona 4
 Arizona 7, Stanford 3
 Arizona 6, Stanford 5

College World Series, Oklahoma City:

Florida 3, Arizona 0
 Alabama 14, Arizona 0 (5 innings)

2010 **Region 10, Tucson, Ariz.:**

Arizona 9, Cornell 0 (5 innings)
 Arizona 6, Hofstra 0
 Arizona 10, Hofstra 6 (12 innings)

Tucson Super Regional:

Arizona 2, BYU 1
 Arizona 10, BYU 2 (5 innings)

College World Series, Oklahoma City:

Tennessee 9, Arizona 0 (5 innings)
 Arizona 4, Washington 3
 Arizona 5, Hawaii 1
 Arizona 8, Tennessee 0 (5 innings)
 Arizona 5, Tennessee 2
 CHAMPIONSHIP SERIES
 UCLA 6, Arizona 5 (8 innings)
 UCLA 15, Arizona 9

2011 **Region 8, Tucson, Ariz.:**

Arizona 10, Harvard 0 (6 innings)
 Arizona 8, New Mexico State 0
 Arizona 10, Texas Tech 2 (6 innings)

Tucson Super Regional:

Oklahoma 6, Arizona 0
 Oklahoma 5, Arizona 2

2012 **Region 13, Tucson, Ariz.:**

Arizona 11, North Dakota State 0 (5 innings)
 Arizona 7, Notre Dame 2
 Arizona 8, Notre Dame 3

Norman Super Regional:

Oklahoma 6, Arizona 0
 Oklahoma 7, Arizona 1

2013 **Region 16, College Station, Texas:**

Baylor 7, Arizona 0
 Arizona 3, Penn 2 (8 innings)
 Baylor 8, Arizona 4

2014 **Region 11, Tucson, Ariz.:**

Arizona 9, Boston University 6
 Arizona 9, LSU 8
 LSU 5, Arizona 1

Lafayette Super Regional:

Louisiana-Lafayette 5, Arizona 3
 Louisiana-Lafayette 7, Arizona 1

2015 **Region 12, Tucson, Ariz.:**

Arizona 4, Saint John's 2
 Arizona 5, Minnesota 1
 Minnesota 5, Arizona 2
 Arizona 7, Minnesota 6 (8 innings)

Baton Rouge Super Regional:

LSU 8, Arizona 0 (5 innings)
 LSU 10, Arizona 5

2016 **Region 13, Knoxville, Tenn.:**

Arizona 2, Ohio State 0
 Arizona 4, Tennessee 0
 Arizona 4, Tennessee 3 (8 innings)

RECORD VS. OPPONENT IN NCAA

Team	NCAA	WCWS
Adelphi	1-0	1-0
Alabama	1-2	1-2
Auburn	1-0	0-0
Arizona State	9-3	1-0
Baylor	1-2	1-0
Boston University	2-0	0-0
Brigham Young	2-0	0-0
California	5-3	5-3
Cal Poly Pomona	1-0	1-0
Cal State Fullerton	4-0	1-0
Cal State Northridge	1-0	1-0
Canisius	2-0	0-0
Centenary	1-0	0-0
Colorado State	1-0	0-0
Cornell	1-0	0-0
DePaul	3-2	1-1
East Carolina	1-0	0-0
Florida	0-1	0-1
Florida State	4-0	1-0
Fresno State	4-5	4-5
Hawaii	1-0	1-0
Harvard	1-0	0-0
Hofstra	4-0	0-0
Howard	1-0	0-0
Illinois-Chicago	1-0	1-0
Iowa	2-0	2-0
Kansas	2-0	1-0
Lehigh	1-0	0-0
Long Beach State	2-1	2-1
Louisiana-Lafayette	1-3	0-0
Louisville	1-0	0-0
LSU	4-4	0-0
Marist	1-0	0-0
Maryland	2-1	0-0
Massachusetts	2-0	1-0
Michigan	2-0	0-0
Middle Tennessee State	1-0	0-0
Minnesota	4-1	0-0
Mississippi State	1-0	0-0
Nebraska	6-0	1-0
New Mexico State	1-0	0-0
Niagara University	1-0	0-0
North Dakota State	1-0	0-0
Northwestern	2-0	2-0
Notre Dame	2-0	0-0
Ohio University	1-0	0-0
Ohio State	2-0	0-0
Oklahoma	5-7	1-1
Oklahoma State	5-2	3-2
Oregon	1-0	1-0
Oregon State	1-0	1-0
Pacific	3-0	0-0
Penn	1-0	0-0
Penn State	1-0	0-0
Purdue	1-0	0-0
Princeton	1-0	1-0
Rider	1-0	0-0
Saint John's	1-0	0-0
Saint Peter's	1-0	0-0
South Carolina	2-1	0-0
Southern Mississippi	0-1	0-1
Southwest Texas State	2-0	1-0
Southwestern Louisiana	1-1	1-1
Stanford	3-1	1-0
Tennessee	7-5	5-5
Tennessee-Martin	1-0	0-0
Texas	1-1	1-1
Texas A&M	4-0	0-0
Texas Tech	2-0	0-0
Troy State	1-0	0-0
UCLA	8-7	8-7
UNLV	2-0	2-0
Utah State	1-0	0-0
Washington	7-1	7-1

2016 NCAA Division I
SOFTBALL CHAMPIONSHIP

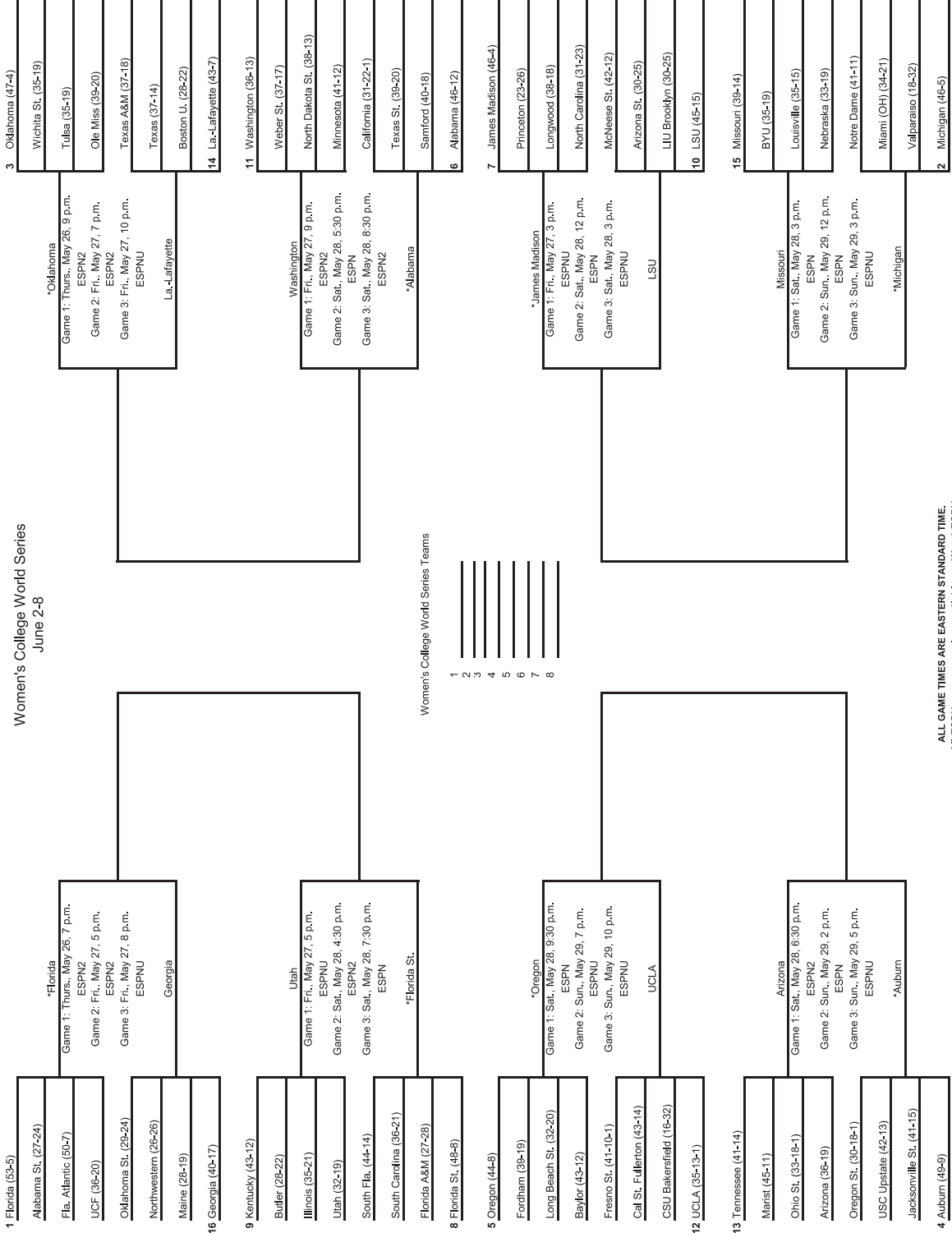


REGIONALS
May 20-22

SUPER REGIONALS
May 26-29

SUPER REGIONALS
May 26-29

REGIONALS
May 20-22



ALL GAME TIMES ARE EASTERN STANDARD TIME.
All ESPN games are also available on WatchESPN.

© 2015 National Collegiate Athletic Association. No commercial use without the NCAA's written approval.
The NCAA opposes all forms of sports wagering.