

Surgical Lights



Avante | Health
Solutions

One Source for Affordable Surgical Lighting Solutions

As a complete medical equipment and service provider, Avante Health Solutions offers a full selection of cost-effective surgical lighting in a variety of configurations to fit the unique needs of your facility. We stand behind the entire series as a true value, and favorably compare the quality and customer satisfaction of these surgical lights with the best rated products on the market.

- **Best Value!** Compares extremely well with popular brands for less.
- **Quality:** Long-lasting high quality materials and engineering.
- **Customizable:** Shop our wide selection of surgical lighting configurations to find the best fit for your facility.
- **Ideal For:** Hospital OR's, surgical suites, exam rooms, and more.



Spot Diameter:
4.7 - 13.8 in

Illumination Intensity:
160,000 lux

Color Temperature:
3500° - 5000° Kelvin

Maxx Luxx LED 160

Extremely high-lux with cool output

The Maxx Luxx LED 160 is an advanced, cost-efficient surgery lighting system. It offers an exceptional 160,000 lux and a rich, adjustable color temperature. Its German-manufactured spring arms offer superior and reliable positioning.

- LCD touch-screen for easily adjustable output.
- Quality German engineered arm system for superior positioning.
- Adjustable color temperature for optimizing human tissue colors.
- Built to last. Rated for up to 50,000 hours.
- Adjustable CRI.
- Cool output LED light source.
- Complies with sterilizing and laminar flow cleaning requirements
- Energy efficient.
- Adjustable focusing.

Available in dual ceiling, single, wall configurations, and an optional **HD camera**





Spot Diameter:

4.7 - 13.8 in

Illumination Intensity:

140,000 lux

Color Temperature:

3500° - 5000° Kelvin

SLS 9000 Plus LED

Bright, consistent illumination and excellent engineering

The SLS 9000 Plus is a shadowless surgery light designed for bright, long-lasting illumination. The light provides up to 140,000 Lux at maximum intensity and is rated for 50,000 hours of LED life.

Using the on board LCD touchscreen, clinicians can easily adjust the illumination intensity, color temperature and Chromogenic index. The SLS 9000 Plus is available as a single or dual head ceiling mount.

- Cost-efficient surgical lighting system rated for 50,000 hours of LED life.
- Choose a single or dual head ceiling mount.
- Energy saving LED lighting provides consistent illumination at a cool light temperature.
- Expertly engineered design makes it easy to position and adjust light heads for any surgical procedure.
- LCD touch screen operation measures illumination intensity, color temperature and Chromogenic index.



Spot Diameter:

4.7 - 13.8 in

Illumination Intensity:

90,000 lux

Color Temperature:

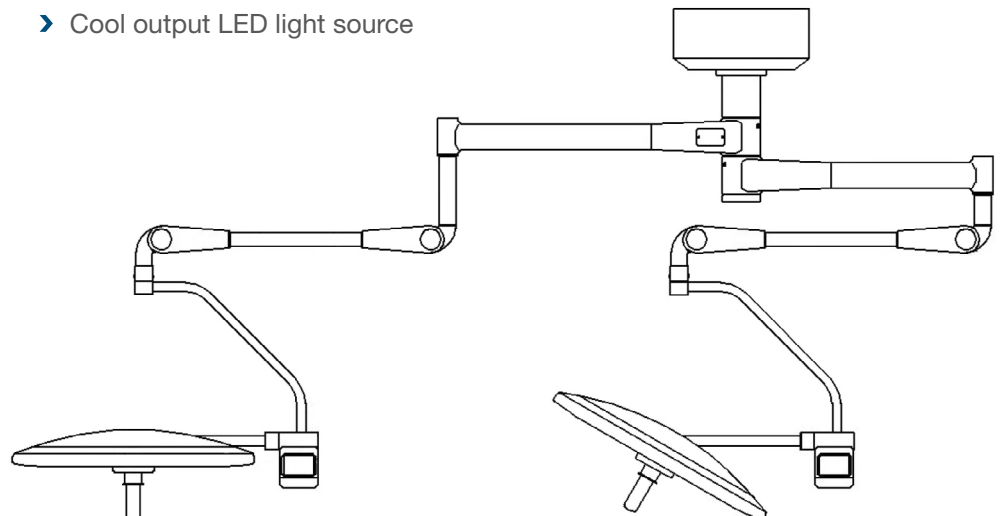
3500° - 5000° Kelvin

SLS 9000 LED

Efficient surgery lighting system provides extremely cool output

The SLS 9000 is a new shadowless light with a 50,000 hour rated LED life. Available in multiple configurations to fit your operating room needs.

- Cost efficient surgery lighting system
- Available in a single or dual head ceiling mount, single wall mount or mobile floor model
- Cool output LED light source
- LCD touch screen operation measures illumination intensity, color temperature and Chromogenic index





Spot Diameter:
7 in

Illumination Intensity:
≤ 60,000 lux

Color Temperature:
3500° - 5000° Kelvin

SLS 2500 LED

Provides a shadowless, natural color temperature

The SLS 2500 LED Mobile Lighting System is a compact system. The shadowless lamps provide color temperature close to natural sunlight with 3,500 k ~ 5,000 k, reflecting the actual colors of human tissue. The SLS 2500 LED is available in ceiling, wall mount, and mobile configurations.

- Dimming knob located on the side of the lighthouse for quick and easy adjustments.
- Multipath light ensures that a single damaged LED in one path will not affect operation.
- Universal appending system provides maximal adjusting range, suitable for any operating room.
- Appending arm is made of nova alloy, with light-strong structure, convenient operation and accurate positioning.
- Lamp cap is totally enclosed with a streamlined design, complying with requirements of sterilizing and laminar flow cleaning in all kinds of operating rooms.



Weight:
69 g

**Spot Diameter
(at distance of 16.5 in):**
0.79 - 3.15 in

**Illumination Intensity
(at distance of 7.9 in):**
> 50,000 lux

Color Temperature:
5000° Kelvin

Xavier X

With a bright, shadow-free light, accuracy is guaranteed

With unsurpassed illumination features, the Xavier X is the top choice for medical professionals. This premium medical LED headlight is used for a variety of medical applications, and has a smart, easy-to-use design that offers reliable and convenient mobile diagnosis. The Xavier X is available with the option of a wireless battery pack or a portable battery pack.

- LED light source produces less heat than traditional halogen headlights
- Color temperature of 5000K for bright, shadow-free light
- Headlight can be used while charging
- Rechargeable lithium battery
- Battery power indicator
- Lightweight and comfortable for all surgical applications
- Adjustable spot size and brightness control allows for viewing tissue characteristics without distortion
- Smart design is convenient for mobile diagnosis
- Easy-to-use adjustment knobs
- Yellow filter to reduce blue light (optional)

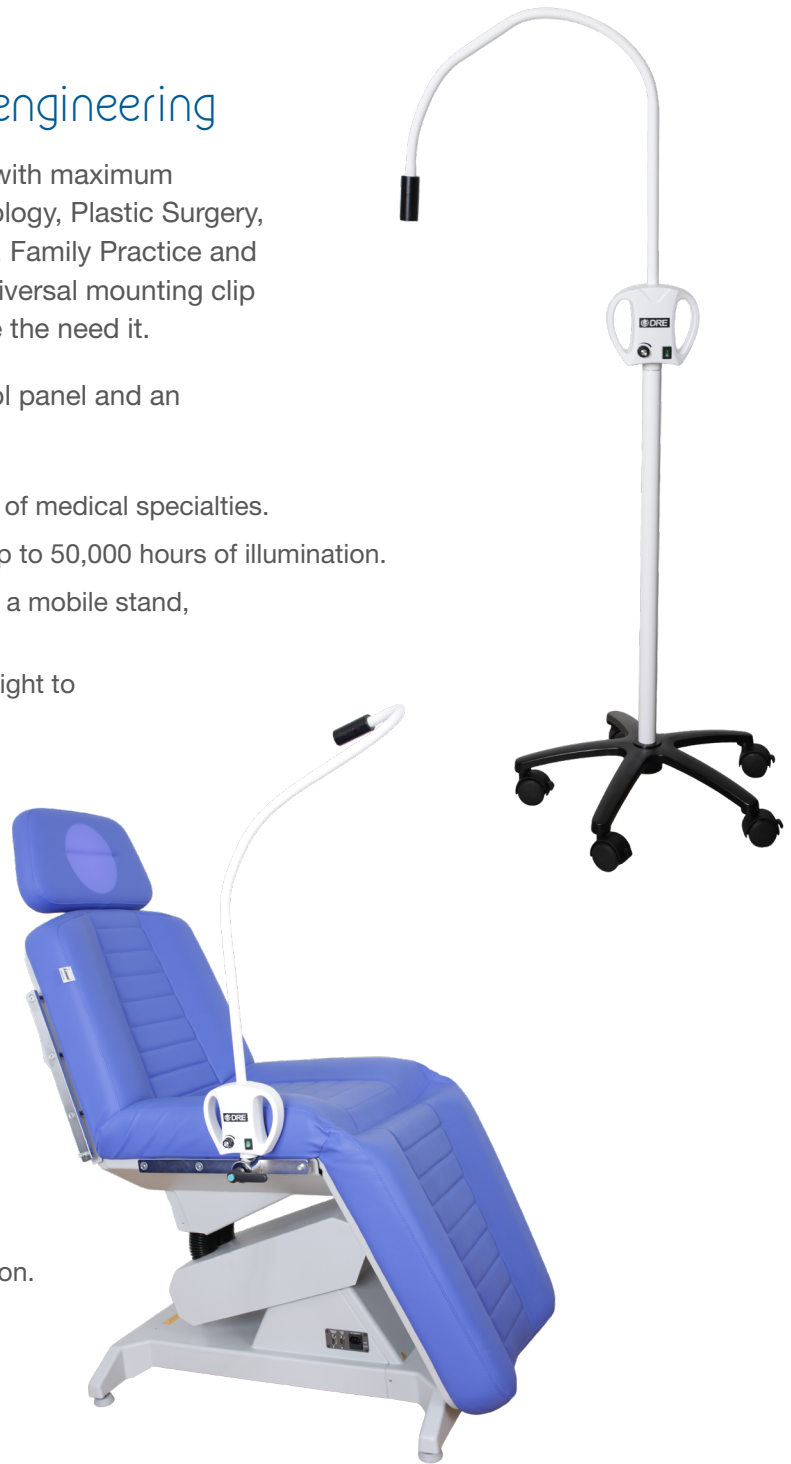
Vista Flex LED

Advanced features and elegant engineering

The Vista Flex is a versatile LED examination light with maximum positioning capabilities, making it ideal for Dermatology, Plastic Surgery, ENT, OB/GYN, Ophthalmology, Outpatient Surgery, Family Practice and more. The dual-segmented gooseneck arm and universal mounting clip allow clinicians to position the light precisely where the need it.

Complete with adjustable spot, user-friendly control panel and an extended length power cable.

- Bright LED examination light ideal for a wide range of medical specialties.
- Cost-saving, energy-efficient LED bulb produces up to 50,000 hours of illumination.
- Available in a variety of mounting options including a mobile stand, wall mount or table mount.
- Universal clip allows clinicians to easily attach the light to any table or procedure chair.
- Flexible gooseneck light arm features two segments for maximum positioning capabilities.
- Light produces 70,000 Lux at an eight inch working distance.
- Bright white color temperature accurately illuminates tissue.
- Adjustable spot ranges between 0.4 to 8.6 inches (depending on distance from workspace).
- Control panel features intuitive controls and two handles for easily maneuvering the lighting unit.
- Streamlined design for easy cleaning and sterilization.
- Power cable measures nearly 10 feet.



Distance	7.87 in	11.81 in	15.75 in	19.66 in	23.62 in	31.50 in	39.37 in
Lux Max	70,000	30,000	15,000	9,500	6,500	3,500	2,300
Circle of Light (Max.)	1.77 in	2.56 in	3.54 in	4.33 in	5.31 in	7.48 in	8.66 in
Circle of Light (Min.)	0.39 in	0.71 in	0.79 in	0.98 in	1.06 in	1.38 in	1.69 in

2158-2019-07-19

 avantehs.com/medical

2601 Stanley Gault Pkwy, Suite 101 • Louisville, KY 40223 USA
800-477-2006 • 502-244-4444 • FAX: 502-244-0369

Avante | Health
Solutions