



Milano

Power Procedure Chairs

Avante | Health Solutions

DRE Milano Procedure & Exam Series

The Milano series combines rich Italian leather with innovative technology to produce high quality products which offer comfort, ergonomics, and a high degree of functionality. We stand behind the entire series as a true value and favorably compare the quality and customer satisfaction with the best rated chairs on the market.

- **Best Value!** Compares extremely well with popular brands for less.
- **Quality:** Long lasting high quality materials and engineering.
- **Flexibility:** Wide variety of power movements and features for specialty procedures
- **Ideal For:** Dermatology, OBGYN, Hair Transplant, ENT, Oral Surgery, Cosmetic Surgery, Podiatry, and General Practice



DRE Milano T50

Fully electric, multi-function power procedure table

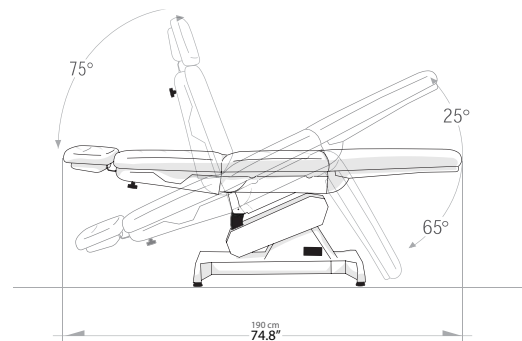
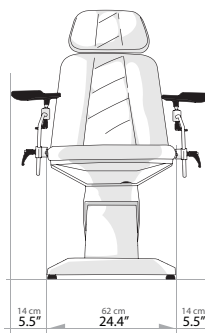
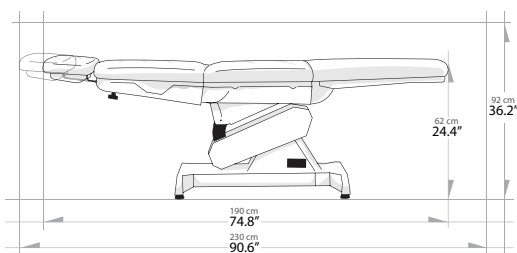
The DRE Milano T50 compares with popular brands in terms of style and functionality, at a fraction of the cost. With four actuators to adjust height, backrest, leg rest and Trendelenburg positioning, clinicians are ensured a clear path to the patient.

Maximum Load Capacity:

440 lbs (200kg)

Trendelenburg: 25°

- Fully electric operation with four actuators
- Standard handheld remote control and foot pedal include automatic reset function.
- Adjustable and removable headrest.
- Seat and back rails fit a variety of medical accessories.
- Magnetic back remote control easily attaches to the side of the chair.





Fixed Height: 24"

Mattress Width: 24"

Mattress Length: 76"

Trendelenburg: 25°

DRE Milano OC

Designed for comfort during long procedures

The DRE Milano OC Oncology Chair features a three-layer memory foam mattress and handheld remote control, allowing patients to feel as comfortable as possible during lengthy chemotherapy treatments. The chair features a convenient roll-away wheel system, allowing clinicians to easily move the chair.

- Oncology chair designed for patient comfort during extended chemotherapy.
- Three electric motor controlled movements: backrest, Trendelenburg, leg rest.
- Synchronized electric movement: backrest/legrest.
- Handheld remote control allows patients to adjust the chair's positioning.
- Manual headrest and extended footrest adjustments.
- Comfortable, five-section mattress with three layers of memory foam. Chair base is covered with durable ABS plastic for a streamlined appearance, while protecting the inner components.
- Comes standard with handheld remote control, armrests, and accessory guides.



Maximum Load Capacity:
440 lbs (200kg)

Trendelenburg: 25°

Backrest: 75°

Leg rest: 65°

DRE Milano H50

A modern design for today's hair transplant specialist

The DRE Milano H50 is a unique procedure chair designed specifically for lengthy hair transplant operations. The Milano H50 features electric actuators, two specialized headrests and a luxurious, six-inch mattress is constructed using breathable material so patients can rest comfortably during procedures lasting as long as five or six hours.

- 4 Independent Electronic Movements: Height, Backrest, Leg Rest, Trendelenburg
- 1 Synchronized Electronic Movement: Backrest and Leg Rest
- 1 Manual Movement: Headrest adjustment and removal
- Automatic reset control returns chair to original position
- Comes with either handset control or foot pedal
- U-Shaped headrest provides access to extraction area
- Cradle headrest for maximum patient comfort and proximity to transplant field





Maximum Load Capacity:
485 lbs (220kg)

Chair Length:
51 - 60" (129 - 151cm)

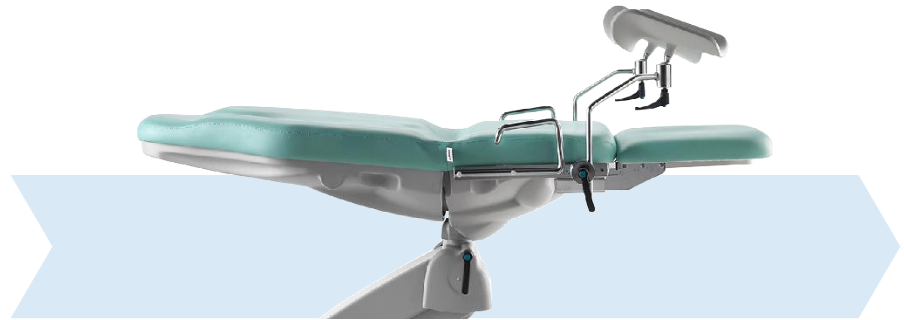
Chair Width:
23" (59cm)

DRE Milano OB20

Electrically operated with modern European style

The Milano OB20 provides simple, automatic operation with 3 independent motors. Perfectly suited for use in gynecology, urology, colposcope exams, diagnostics and ultrasounds.

- 20" minimum height ensures easy access for the patient.
- 40" maximum height ensures optimum position for the specialist.
- 90° rotation to both sides.
- 3 independent electric movements: height, back rest and Trendelenburg.
- Automatic reset switch that returns the table to its starting position.



Maximum Load Capacity:
440 lbs (200kg)

Gross Weight: 196 lbs

Net Weight: 161 lbs

Size: 67 x 30 x 34"

DRE Milano OB50

Modern and efficient multi-function procedure chair

The Milano OB50 utilizes 3 independent motors for simple and automatic operation and is designed for gynecological and urological examinations, ultrasounds, colposcopic examinations and minor clinical surgery.

- Low voltage foot control with automatic reset that returns the table to its starting position.
- 26" minimum height ensures easy access for the patient.
- 37" maximum height ensures optimum position for the specialist.
- Anatomical mattress for easy sanitation.
- 3 independent electric movements: height, back rest and Trendelenburg.
- Steel frame covered with thermoplastic for a sanitary and attractive appearance.



DRE Milano D20

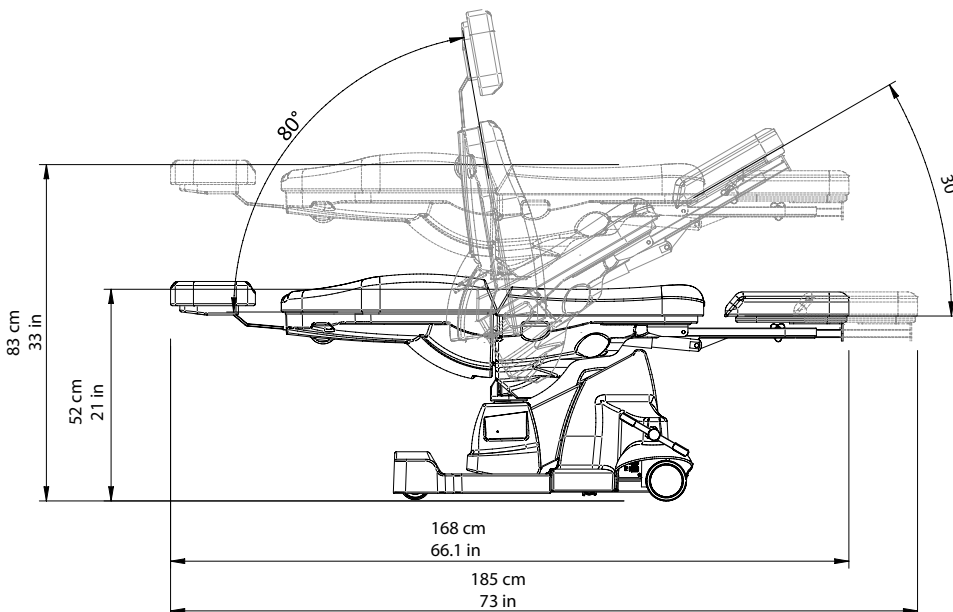
A highly-adjustable, affordable chair for modern practices

The DRE Milano D20 is a highly versatile procedure chair perfect for dental procedures, implantology, orthodontics, ENT, facial procedures, examinations, diagnostics and minor surgeries. Using the handset remote or foot controls, operators can adjust the chair's height, backrest, seat rest and leg rest.

The Milano D20 comes standard with an articulating headrest, wheeled base and medical accessory guides. Multiple color options are available.

- Four Independent Electronic Movements: Height, Backrest, Leg Rest and Seat Rest.
- One Synchronized Electric Movement: Backrest / Leg Rest.
- One Manual Movement: Leg Rest Extension.
- Convenient automatic reset control returns chair to its original position.
- Articulating headrest can be adjusted for a variety of procedures.
- Wheeled base for moving the chair throughout your facility.
- Leg rest lowers to 90 degrees, allowing patients to easily enter and exit the chair.
- Sleek system with a small footprint.

- Hand set and foot panel controls.
- Constructed with latex-free, non-toxic and non-carcinogenic materials.
- Protective ABS plastic covering.
- Stitchless upholstery available in a variety of colors.
- Provided with medical accessories guides on the backrest.
- Optional Accessories: paper roll holder, thigh supports, IV rod, etc.



Chair Height:
21 to 33"

Mattress Width: 22.8"

Mattress Length: 61.6"





DRE Milano P50

Fully electric podiatry chair that features a unique, split-leg design

The DRE Milano P50's sleek, European design offers clinicians a streamlined, updated look to any podiatry suite. By using the standard foot pedal, operators can adjust each individual leg section as well as the chair's height, backrest and Trendelenburg positioning. The chair's small footprint takes up minimal space, and both the base and mattress covers are easy to clean.

Maximum Load Capacity:
441 lbs (200kg)

Trendelenburg: 25°

Backrest: 75°

Leg rest: 90°

- 5 Independent Electronic Movements: Height, Backrest, Individual Leg Rests, Trendelenburg.
- 180° Chair Rotation: Unique swivel feature for convenient access to patient area.
- Adjustable, removable headrest.
- Foot pedal adjusts height, leg rests, backrest and Trendelenburg.
- Chair lowers to 21 inches for patient accessibility.
- Unique automatic reset control returns chair back to the original position.



DRE Milano P20

An elegant solution for today's podiatry practice

The Milano P20 is expertly designed for comfort for podiatrists and patients alike, comfortable for both routine visits and lengthy procedures. Using the Milano P20 podiatry chair's adjustable height, operators can lower the chair to 20.5 inches.

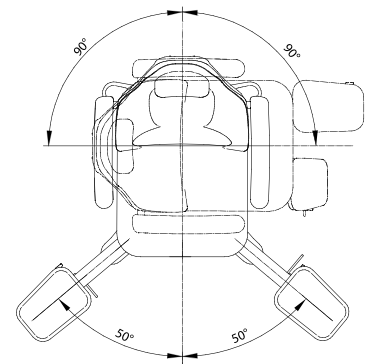
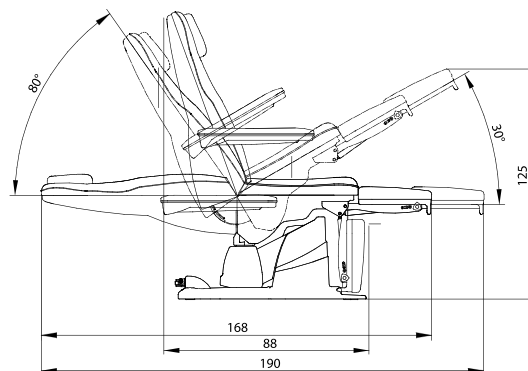
Chair Height:
20 - 32" (52 - 82cm)

Trendelenburg: 30°

Backrest: 80°

Leg rest: 90°

- 180° chair rotation: Unique swivel feature for convenient access to patient area.
- Leg supports swivel independently up to 50 degrees.
- Foot pedal adjusts the height, back and level positioning.
- 3 Electric movements: height, backrest and seat tilt.
- Partial Trendelenburg positioning.
- Stitchless mattress/covering allows for easy cleanup and sterilization.



DRE Milano E20

Advanced features and elegant engineering

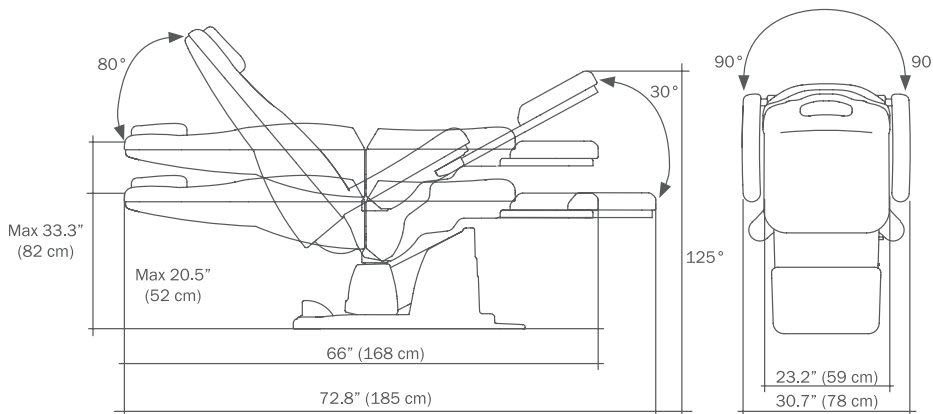
The DRE Milano E20 is a high-quality alternative to popular procedure chairs, allowing medical professionals to save money without sacrificing features. The Milano E20 offers innovative engineering, first-rate materials, modern styling, and the most advanced features in its class, for a very competitive price. This chair comes standard with 180° rotation, hand remote & foot controls and standard arm rests — these are expensive add ons with most procedure tables/chairs.

This multi-specialty general procedure chair is available with options suited for most office-based medical procedures, including ambulatory surgery centers, procedure rooms, and examination areas. It naturally adapts to almost every physician, patient, procedure and environment. Dermatologists, plastic surgeons, oral surgeons, and ENT specialists have been using the Milano with great success.

The Milano E20 is comfortable for both the operator and patient alike, and ideal for lengthy procedures. It is wider than traditional procedure chairs and offers easy access to people with mobility difficulties, thanks to its adjustable height (lowers to 20.5"/52 cm). Its physician-configured adjustments provide excellent visibility within the operative field. It includes a wide variety of power positions and a smart "auto return" feature. The chair will lay completely flat in a table position.



- 180° chair rotation: Swivel feature provides for efficient access to multiple patient areas.
- Convenient "auto return" function restores the chair to original position and saves operator time.
- Lumbar support mattress: Ergonomic mattress design allows for lumbar-back support, patient head comfort and adjustable foot support.
- Sleek system with a small footprint.
- Foot pedal adjusts the height, back and level positioning.
- Tapered head allows for easy access to facial areas for the practitioner.
- Footrest is easily extended via a manual control knob.
- Stitchless mattress/covering allows for easy cleanup and sterilization.



Maximum Load Capacity:

440 lbs (200kg)

Chair Weight:

166 lbs (75kg)

1574-2019-10-23

 avantehs.com/medical

2601 Stanley Gault Pkwy, Suite 101 • Louisville, KY 40223 USA
800-477-2006 • 502-244-4444 • FAX: 502-244-0369

Avante | Health
Solutions