

Technical Specifications

pocketscope Desk/Wall Charger

Model 79280

Input 11 O-I 20v 50-60 Hz,
.05 Amp.

output Model No. 12800 or 22800
Rechargeable Instruments
(Charging Rate: 45 MA. for
12800 and 22800)

Leakage current is less than 20 microamps
from any exposed metal part when proper
ground is used.

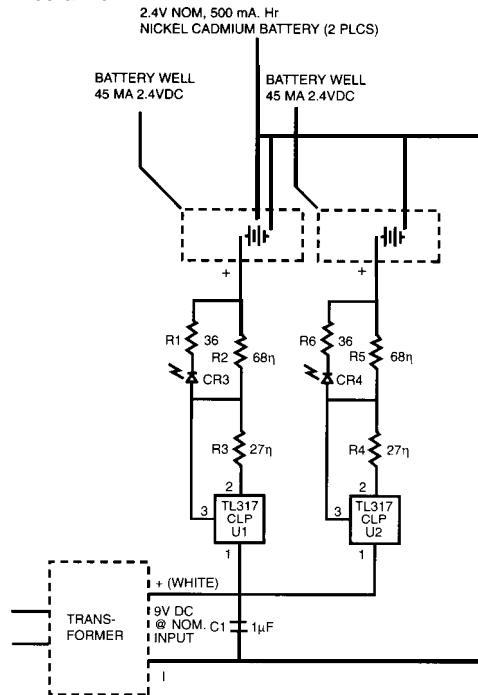
Weight-1 lb. 6 oz. Approx.

Dimension-Charger H = 2 1/2"
(plus instrument)
D = 3 1/2"
w = 4 1/2"



NOTES:

1. All resistors 1/4W., 5% carbon-film unless otherwise marked.
2. All LEDs are T-1 red.
3. All capacitors dipped monolithic ceramic.



—501 110V AC. 50-60 Hz. NOM. (shown)
—502 220V AC. 50-60 Hz. NOM. (not shown)

Circuit Diagram