

TMM5 PLUS

SURGICAL STRETCHER-CHAIR

TMM PLUS SERIES



Minimize Transfers, Maximize Throughput

The versatility of TransMotion's TMM5 PLUS Surgical Stretcher-Chair enables facilities to streamline the treatment process and surgical flow by replacing multiple pieces of equipment with a single device. Innovative, powered patient positioning helps eliminate patient transfers, limiting the risk of injury to patients and staff while improving throughput. The TMM5 PLUS is a procedure chair, transport device and stretcher all in one!

ONE PATIENT, ONE SURFACE®

 **TransMotion**
by Winco



ANATOMY OF A TMM5 PLUS STRETCHER-CHAIR

500 lb. Weight Capacity

Push Button Pendant

Central-Locking Brake

Dual Articulating Headrest

Fold-Down Push-Bars

Optional on X Models / Standard on Non-X Models

Quick-Charge Battery

*(2 Batteries + Wall Charger Included)
A/C Plug-In Option also available*

**Dual Column Base
(24" - 32" seat height)**

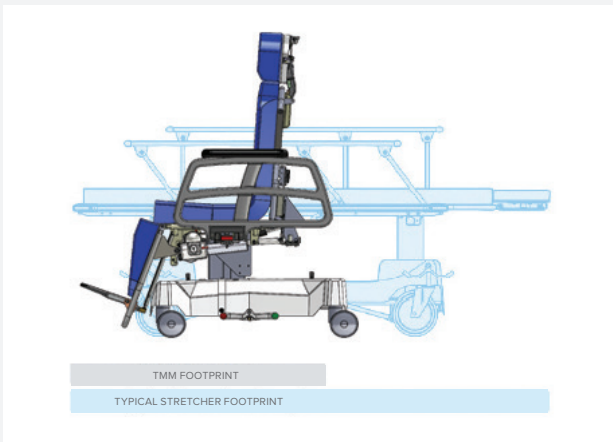
*Triple Column Base Option
(24" - 40" seat height) also available*

30" Wheel Base

(Non-X Models)

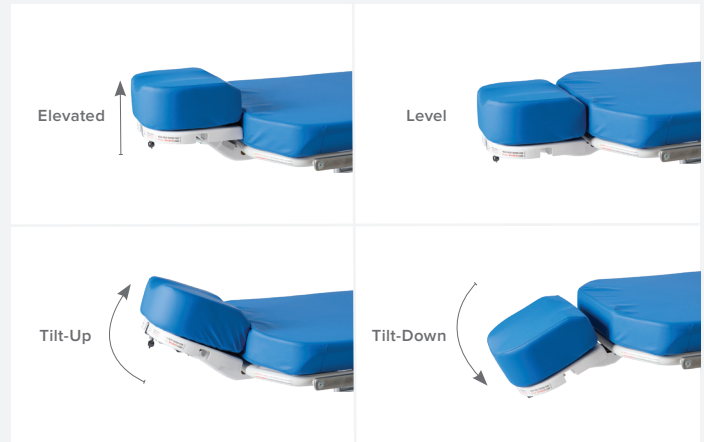


SPACE-SAVING FOOTPRINT



In the seated position, the TMM5 PLUS requires half the space of a traditional stretcher and is easy to navigate through hallways, rooms, elevators and other close quarters. Its small footprint frees-up floor space so more units can be available for patients as well as enabling more efficient storage.

ARTICULATING HEADPIECE

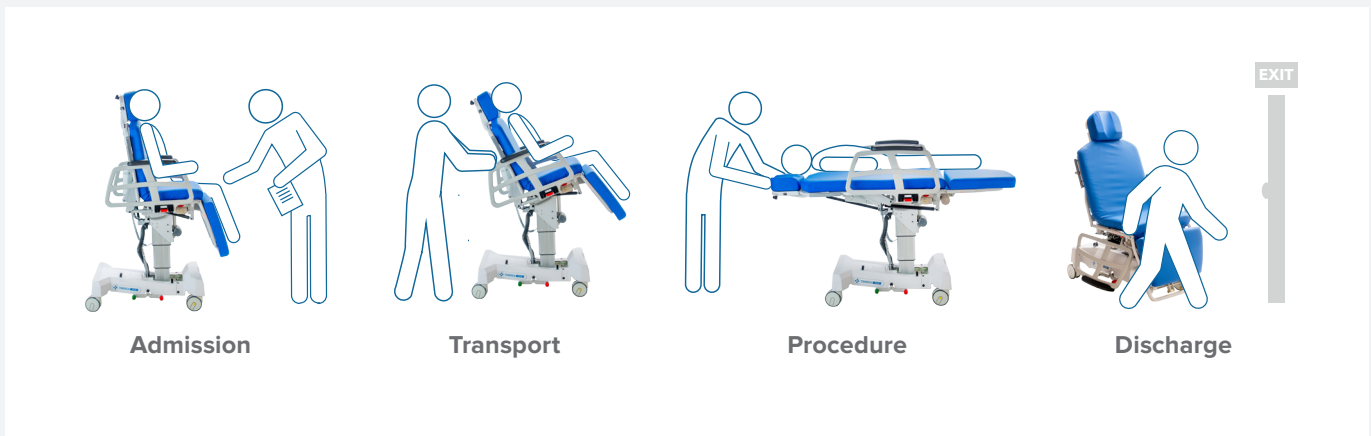


Adjustability Clinicians Demand, Comfort Patients Deserve

The low-profile, dual articulating headrest provides precise positioning from 30° (fully extended) to 60° (fully retracted). Additionally, the headpiece can be raised up to 3.5" or lowered to 0.9".



ONE PATIENT, ONE SURFACE® FROM ADMISSION TO DISCHARGE



Reducing patient transfers increases patient throughput while decreasing the likelihood of incurring costs associated with staff injury and worker's compensation claims.



TMM5X PLUS STRETCHER-CHAIR

TMM PLUS SERIES

Optional Anterior Wrist Rest

**Available for X & Non-X models*

Auto-Extending Footrest NOT Available on X-models

**Not shown: Manual-folding footrest option available for X and Non-X models.*

20° Trendelenburg / 5° Reverse Trendelenburg

*In stretcher position
X models ONLY

Surgical Support Leg

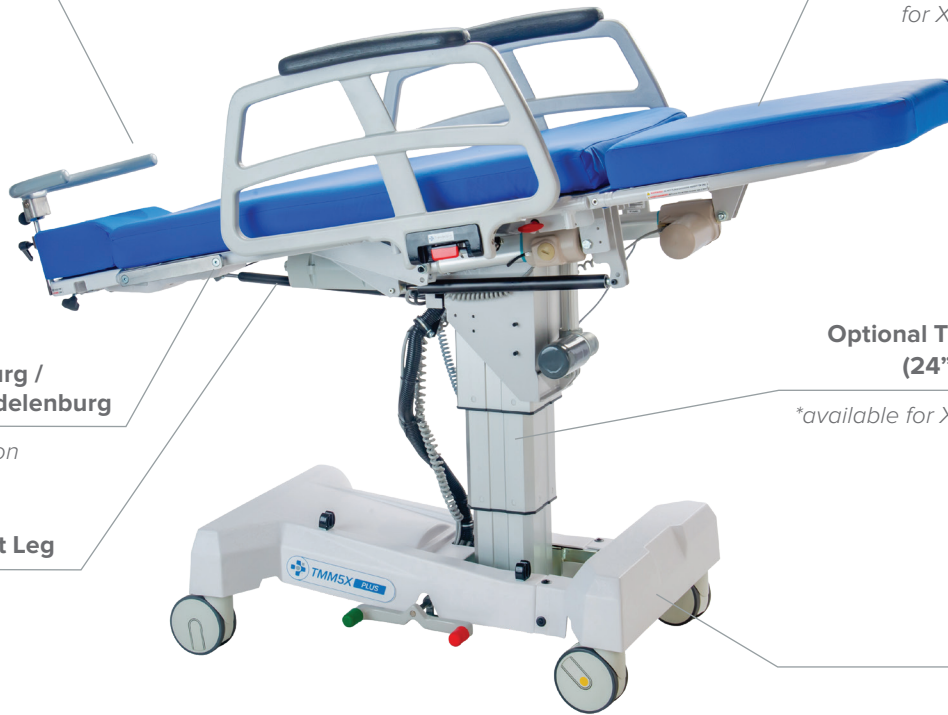
X-models ONLY

Optional Triple Column Base (24" - 40" seat height)

**available for X and Non-X models*

33" Wheel Base

X-Models ONLY



ENHANCED STABILITY



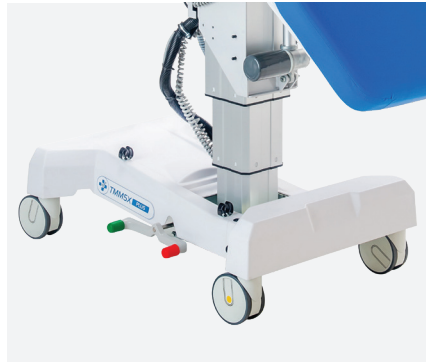
Activated by an easy-slide lock/unlock lever, the surgical support leg adds rigidity and stability to the back section of * **TMM5X PLUS** models.

** The Surgical Support Leg is included as a STANDARD feature on TMM5-X Models ONLY.*

ALTERNATE CONFIGURATION OPTIONS



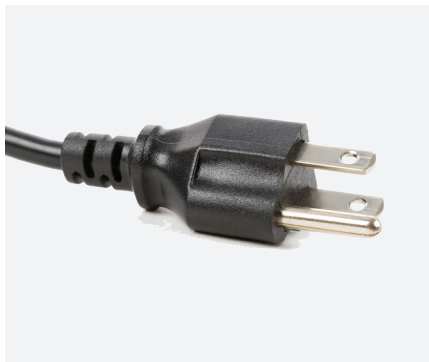
Wide (28") Seat Width (W)



Triple Column Base (T)
24" - 40" Seat Height



Manual Folding Footrest (F)



A/C Plug-In (A)

120v / 60Hz A/C power with on-board charger & internal batteries



Export Plug-In (E)

CUSHION OPTIONS

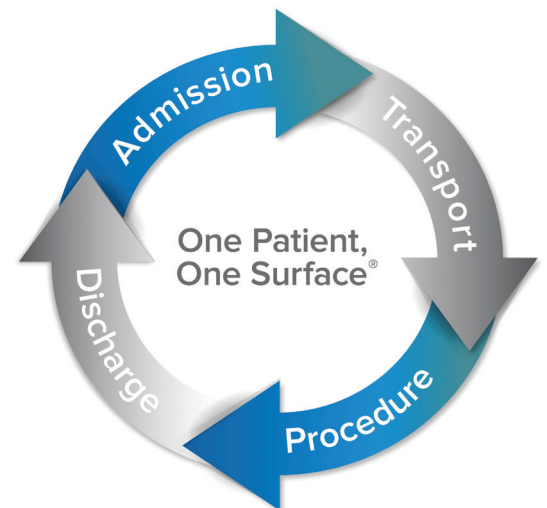
Multi-layer foam cushions are available in your choice of Sure-Chek Fusion® 4-way stretch fabric or Healthcare Grade vinyls.

Visit our website or contact a representative to view our selection of colors or to request swatches.

TRANSMOTION BY WINCO LIMITED WARRANTY



Optional Extended Limited Warranty also available.



SUGGESTED ACCESSORIES



Air Delivery Drape Support
(TMA32-15)



IV Pole
(TMA03-15)



Head Extension
(TMA-362-15)



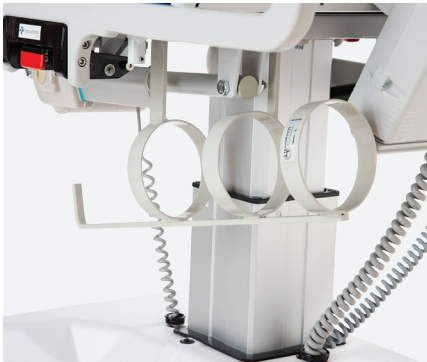
Dual-Side Wrist Rest
(TMA20-15)



Anterior Wrist Rest
(TMA167-15)



Dual Foot Pedal Control
(TMA21K-15)



Oxygen Tank Holder
For Non-X Models
(TMA04-15)



Oxygen Tank Holder
For X-Models
(TMA04X-15)

Additional configuration & accessory options available

Contact a representative to discuss solutions designed to meet your specific needs.

The TMM PLUS Stretcher-Chair series may not be available in all markets. Please contact a Winco Mfg., LLC associate if you have questions about the availability of TransMotion by Winco products in your area.



CONTACT US

To arrange a demonstration or to speak with one of our associates, please feel free to contact us at: **800-237-3377 | WincoMfg.com | 5516 SW 1st Lane, Ocala, FL 34474 | Info@WincoMfg.com**