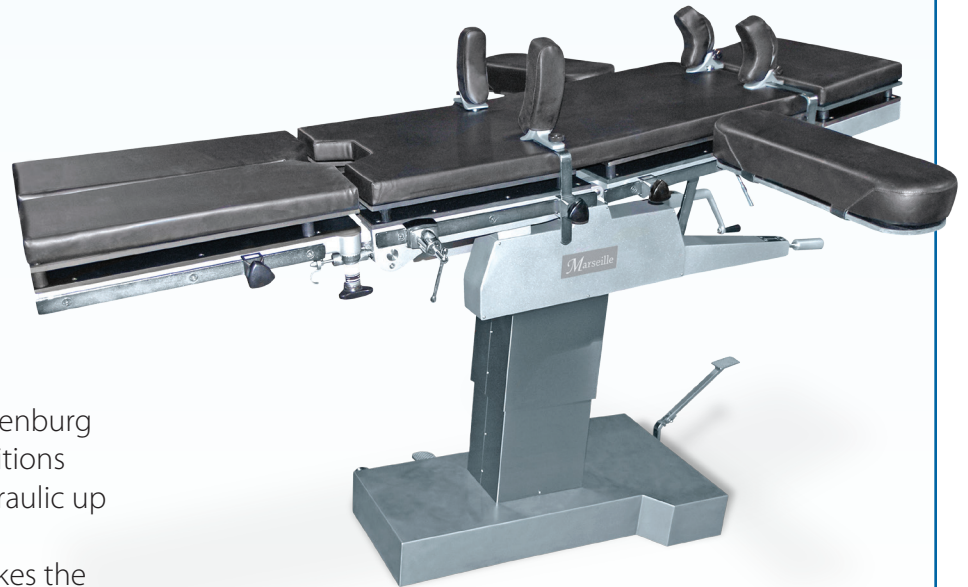


The manual, economical alternative to automatic tables

- Easy to adjust to Lateral, Trendelenburg and Reverse Trendelenburg positions
- Features a foot pedal for oil-hydraulic up and down positioning
- Dependable manual design makes the Marseille easy to maintain
- Standard accessories include a screen frame, head-rest, shoulder support, armrest, body support, knee crutches, and foot support
- Optional accessories include a restraint strap, hand grips, u-shaped headrest, raised armrest, stainless steel funnel and waste receptacle and corrugated tubing, and kidney elevator
- Table is C-Arm Compatible with radiolucent tabletop



Specifications

- Tabletop length and width: 83" x 19" (210 x 48 cm)
- Elevation: 31" - 41" (80 - 104 cm)
- Trendelenburg/Reverse Trendelenburg: $\pm 25^\circ$
- Lateral tilt: $\pm 18^\circ$
- Leg section adjustment: $\pm 90^\circ$
- Back rest adjustment: $\pm 75^\circ / -10^\circ$
- Head section adjustment: $\pm 45^\circ / -50^\circ$
- Maximum kidney break position: 4" (10 cm)

The manual Marseille is easy to adjust to Trendelenburg, Reverse Trendelenburg and lateral positions

