



UCGEN ALUMINYUM

**20** YEARS/YIL

# LIFT AND SLIDE DOOR SYSTEMS

Discover elevated possibilities with seamless transitions.



UCGEN ALUMINYUM



# CONTENT

1. PROFILE SYSTEM	03
2. GLAZING	07
3. ACCESSORIES	10



20 YEARS



700+  
PROJECTS



4 000+  
CUSTOMERS



110+  
EMPLOYMENT



\$50 MILLION  
PROJECT VALUE

A large, dark window frame with a view of a desert landscape. The window is partially open, showing a view of a desert landscape with a paved area in the foreground and a hazy horizon in the distance. The window frame is dark and has a textured, ribbed appearance. The text '1 PROFILE SYSTEM' is overlaid on the image in a large, white, sans-serif font.

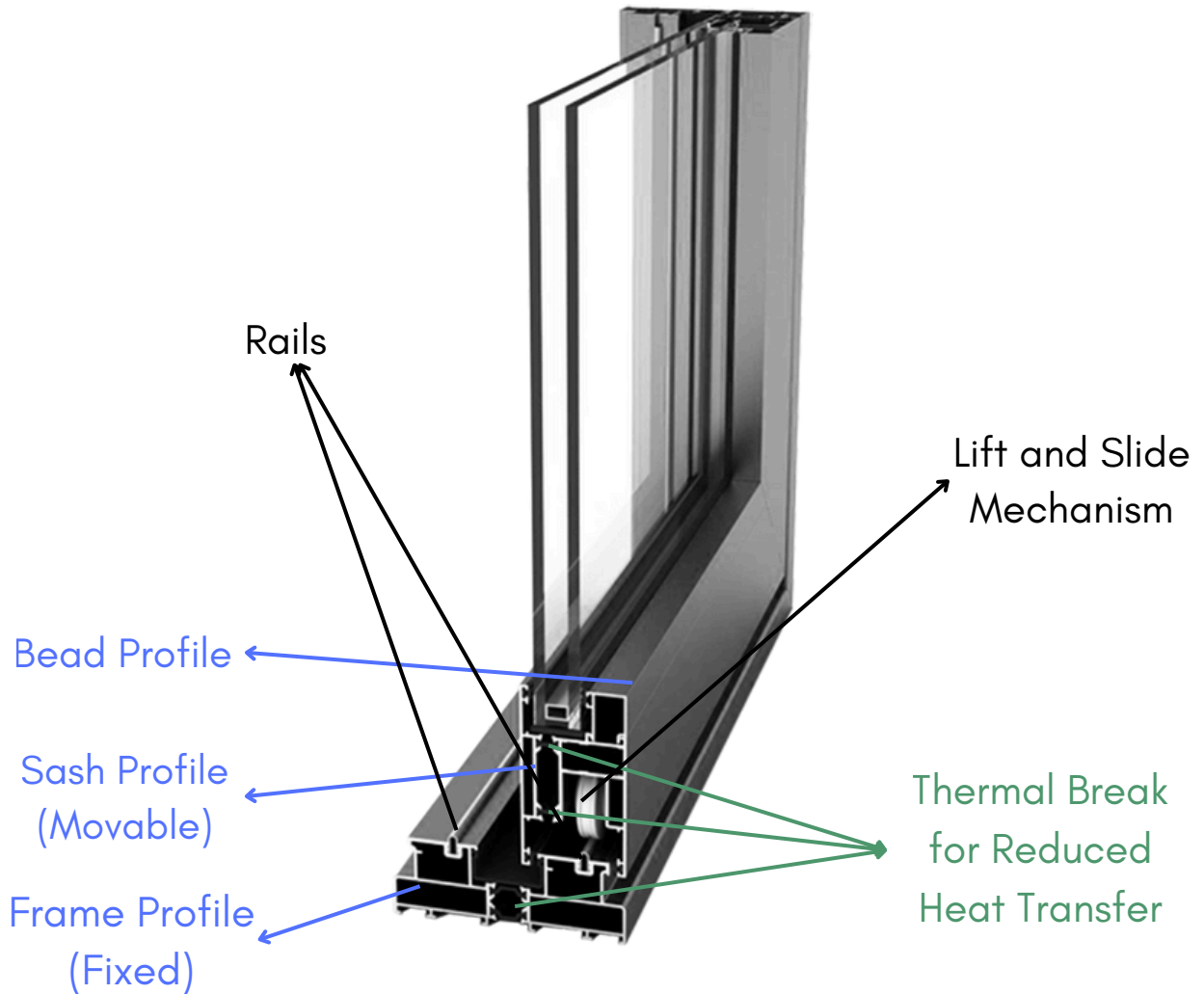
**1**

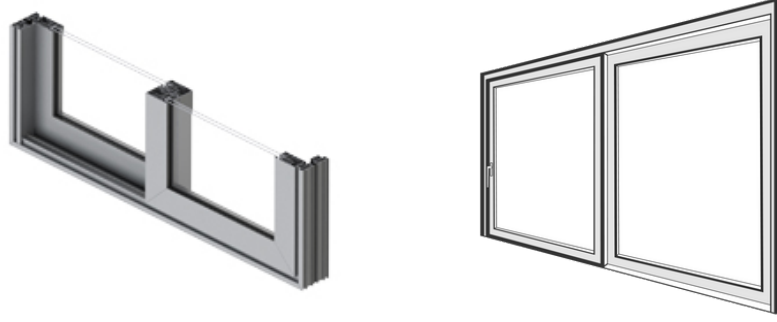
**PROFILE**

**SYSTEM**

# HS-55T Lift and Slide System

Effortless sliding system with exceptional energy efficiency and elegant design.

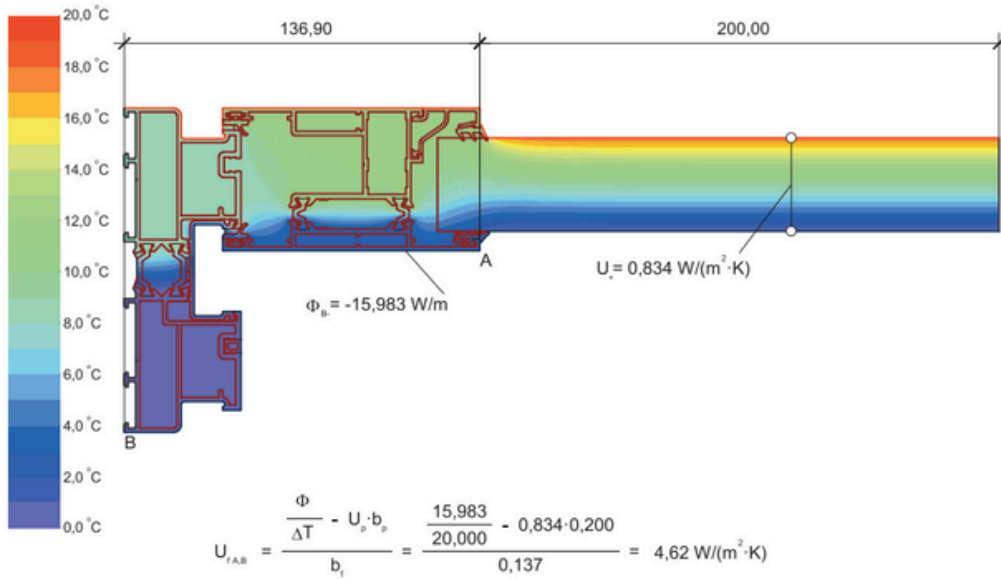




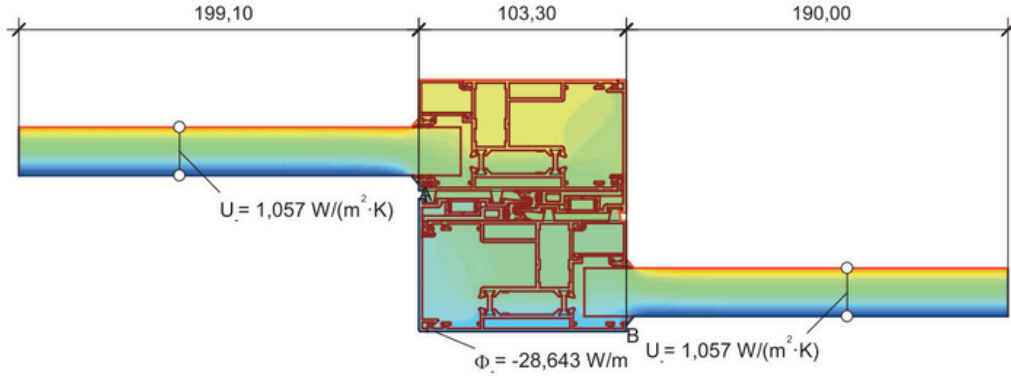
<b>Frame Width</b>	<b>125 mm</b>
<b>Sash Width</b>	<b>55 mm</b>
<b>Interlocking Depth</b>	<b>125 mm</b>
<b>Profile Wall Thickness</b>	<b>1.5 - 2 mm</b>
<b>Thermal Break</b>	<b>12 - 20 mm</b>
<b>Min. / Max. Glazing Thickness</b>	<b>4 mm / 36 mm</b>
<b>Min. Sash Dimensions</b>	<b>800 x 1900 mm</b>
<b>Max. Sash Dimensions</b>	<b>2600 x 3000 mm</b>
<b>Max. Sash Weight</b>	<b>400 kg</b>
<b>Min. Thermal Insulation</b>	<b>3.23 W / (m<sup>2</sup> x K)</b>



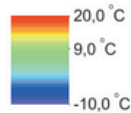
# Insulation Details



Material	$\lambda$ [W/(m·K)]	$\epsilon$	Boundary Condition	$q$ [W/m <sup>2</sup> ]	$\theta_f$ [°C]	$R$ [(m <sup>2</sup> ·K)/W]	$\epsilon$
Aluminium (Si Alloys)	160,000	0,900	Epsilon 0.9				0,900
EPDM (ethylene propylene diene monomer)	0,250	0,900	Exterior, frame	0,000	20,000	0,040	
PVC (polyvinylchloride), rigid	0,170	0,900	Interior, normal, horizontal	20,000		0,130	
Panel	0,035	0,900	Symmetry/Model section	0,000			
Polyamid 6.6 with 25% glass fibre	0,300	0,900					
Slightly ventilated air cavity	anisotropic						
Unventilated air cavity	anisotropic						



$$U_{f.A.B} = \frac{\Phi}{\Delta T} - U_{p1} \cdot b_{p1} - U_{p2} \cdot b_{p2} = \frac{28,643}{30,000} - 1,057 \cdot 0,199 - 1,057 \cdot 0,190 = 5,26 \text{ W/(m}^2 \cdot \text{K)}$$



Material	$\lambda$ [W/(m·K)]	$\epsilon$	Boundary Condition	$q$ [W/m <sup>2</sup> ]	$\theta_f$ [°C]	$R$ [(m <sup>2</sup> ·K)/W]	$\epsilon$
Aluminium (Si Alloys)	160,000	0,900	Epsilon 0.9				0,900
EPDM (ethylene propylene diene monomer)	0,250	0,900	Exterior, ventilated	-10,000		0,130	
PVC (polyvinylchloride), rigid	0,170	0,900	Interior, normal, horizontal	20,000		0,130	
Panel	0,035	0,900	Symmetry/Model section	0,000			
Polyamid 6.6 with 25% glass fibre	0,300	0,900					
Polypropylene, solid	0,220	0,900					
Unventilated air cavity	anisotropic						





2

GLAZING  
DETAILS

# Şiřecam K - Double Glazing System

Extraordinary thermal insulation for higher standards.



4 mm Solar  
Control Low-E  
Glass

16 mm Air Gap

4 mm Clear  
Glass

\* Please refer to the next page for the performance specifications of the glazing system.







## Performance Calculation Results



Outside



Inside

PROJECT 28/01/2025

Layers – From Outside to Inside

mm

Layer	Material	Thickness (mm)
L1	Clear Float Glass	4
L2	Cavity (100% Air)	16
L3	Temperable Solar Control Low-E Neutral 70/40	-
L4	Clear Float Glass	4

Interior Angle



90°

Outer Pane : 4 mm Şişecam Clear Float Glass

Cavity : 16 mm 100% Air

Inner Pane : 4 mm Şişecam Temperable Solar Control  
Low-E Glass Neutral 70/40 (#3)

### Daylight Properties (EN 410)

Daylight Transmittance	: 70%
Daylight Reflectance Outdoor	: 12%
Daylight Reflectance Indoor	: 11%
Color Rendering Index (Ra)	: 95

### Solar Energy Properties (EN 410)

Total Solar Energy Transmittance	: 53%
Solar Factor / g	
Solar Energy Direct Transmittance	: 38%
Solar Energy Reflectance Outdoor	: 34%
Solar Energy Absorption	: 28%
Shading Coefficient	: 0.61
UV Transmission	: 23%

### Thermal Conductivity (EN 673)

U Value W/(m²K)	: 1.4
-----------------	-------

### Sound Insulation Values

Rw (C, Ctr)	: 30 dB (-1, -3)
-------------	------------------



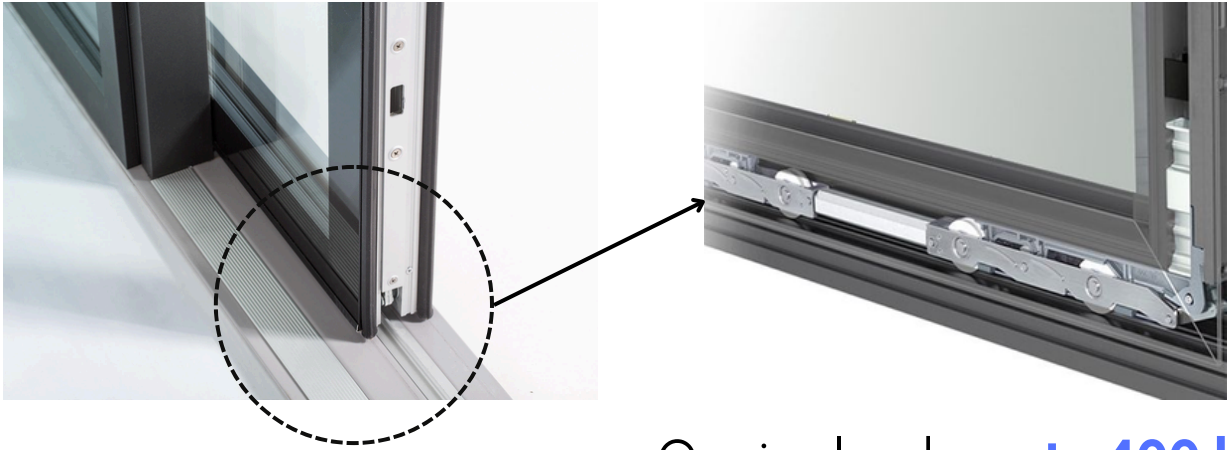


3

ACCESSORIES

# Siegenia Hebe-Schiebe System Accessories

# SIEGENIA®



Carries loads **up to 400 kg**





UCGEN ALUMINYUM

Esirođlu Mahallesi, Kenan Oltan Caddesi  
No: 21 B-7 Blok. Hekimođlu Sanayi ve  
Lojistik Merkezi Maçka / Trabzon



[info@ucgenaluminyum.com](mailto:info@ucgenaluminyum.com)



[www.ucgenaluminyum.com](http://www.ucgenaluminyum.com)



+90 (462) 325 36 15



+90 (530) 263 07 17



[ucgen\\_aluminyum](https://www.instagram.com/ucgen_aluminyum)



[ucgen-aluminyum](https://www.linkedin.com/company/ucgen-aluminyum)



[ucgen.aluminyum](https://www.facebook.com/ucgen.aluminyum)