

T CAM *BETA* **Imaging the Earth Compactly**

The new ultra-compact optical
system for Earth Observation.

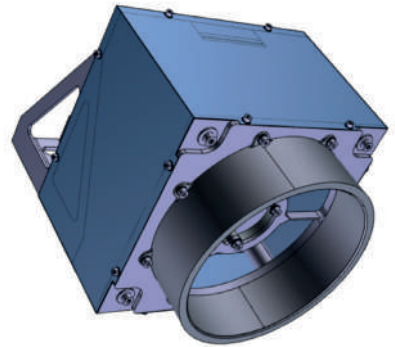
Engineered for the next generation
of New Space missions.

Innovation in a compact form T CAM redefines

Earth Observation with an optimized design that delivers high-resolution multispectral imaging in a lightweight, versatile form factor.

With a maximum volume of 200×200×250 mm and under 5 kg, it merges performance, precision, and efficiency for the new era of space.

Modular and scalable for diverse missions



Development completed in 2026

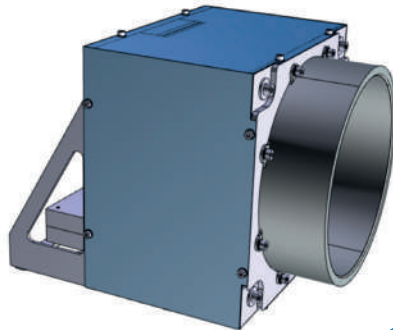
Key specs

Resolution: 10 m

Field of View (FOV): 22 km
from 550 km orbit

Spectral range: Visible + NIR
(400–900 nm)

Configuration: 12U



**Very soon, a new way
of looking at Earth.**

CONTACT

Madrid, Spain
www.lidax.com

commercial@lidax.com