



50 years of Tradition, Innovation, Continuity and Evolution.



Defence



Aerospace



Transportation



Communication & Surveillance

operational availability

technical publication system

life cycle cost

mta

safety



life cycle management

scorm spare analysis

fmeca s1000d

xml

life cycle management

technology based training

lms s3000l tin can

asd standards

technology based training

ram/t

ietm/ietp

logistic support analysis

configuration control

mil-std-1388 2b

logistic support analysis

our skills

SERVICES



Integrated Product Support



Logistic Support Analysis



Analytical Life Cycle Management



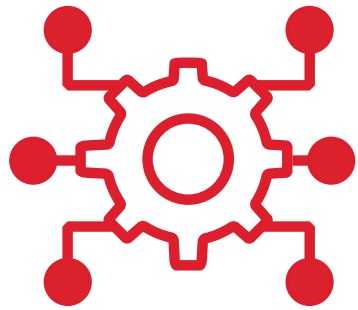
Technical Publications



Training - CBT - E-learning



our skills



Integrated Product Support

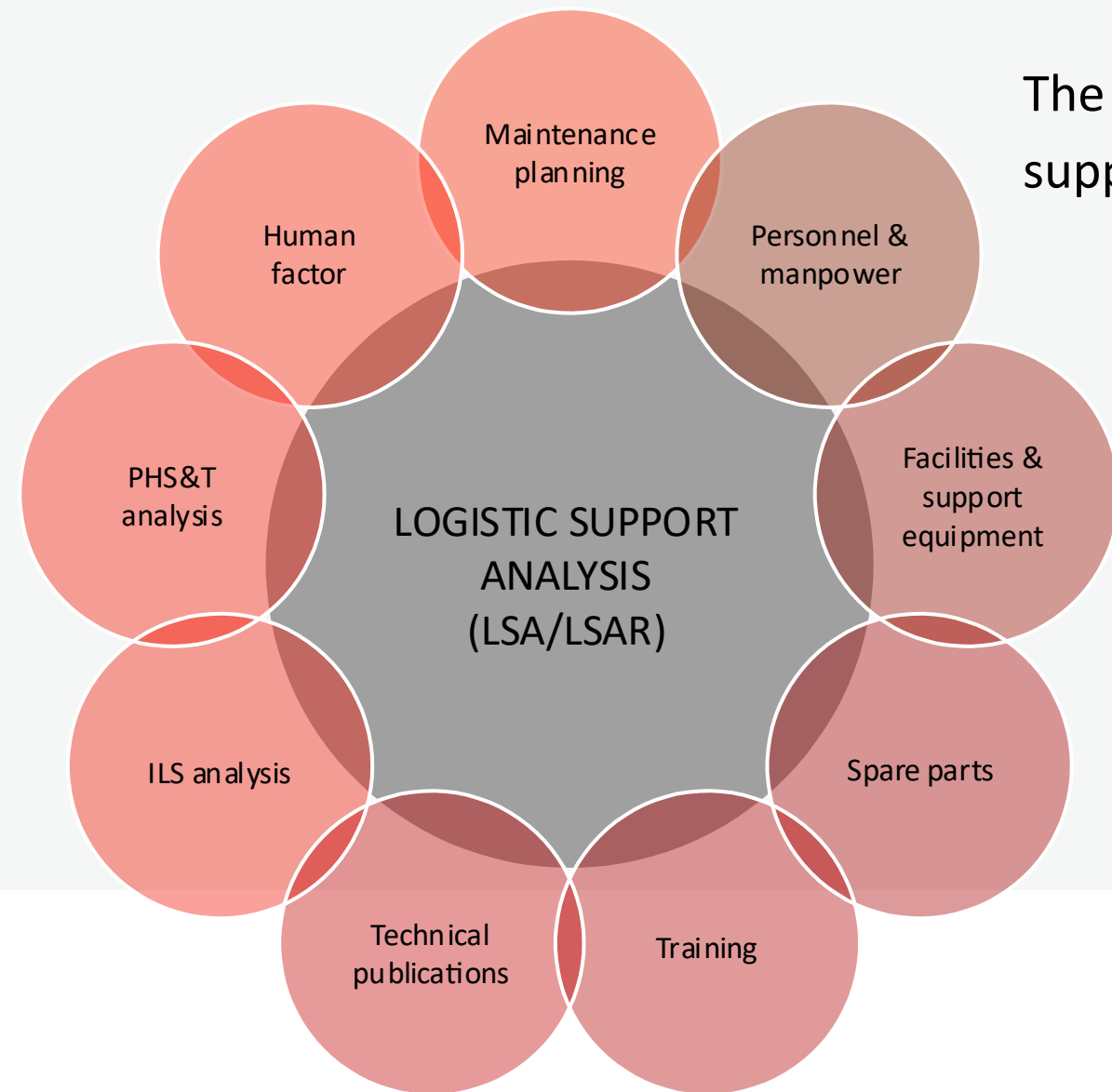
Integrated Product Support activities:



- Configuration Management and Configuration Control;
- RAMT/S Analysis (Reliability, Availability, Maintainability, Testability/Safety);
- FMEA – FMECA (Failure Mode Effects Analysis, and Criticality Analysis);
- FTA (Fault Tree Analysis);
- RCFA (Root Cause Failure Analysis);
- Risk Analysis;
- Human factor Analysis;
- Diagnostic Measure and Control;
- consulting in the study, acquisition and application of regulations and international (MIL-STD-1388-1A/2B, S3000L, CALS, AECMA, DEF-STAN-0060, NATO Codification, etc.).



Logistic Support Analysis



The Logistic Support Analysis and Logistic Support Analysis Record (**LSA-LSAR**) drive and support all the activities of the Integrated Logistic Support (ILS) engineering.

These activities are based on international standards, and SeTeL possesses the necessary know-how to perform them in accordance with the most used European Standards including the latest **ASD-AIA** (S3000L and S000i) standards.

Based on its 30 years of experience in this field, the SeTeL can provide the following activities to its customers:

- consultancy for the management and setting up of LSA business processes, both for in house use or for the use in bids;
- development of LSA activities

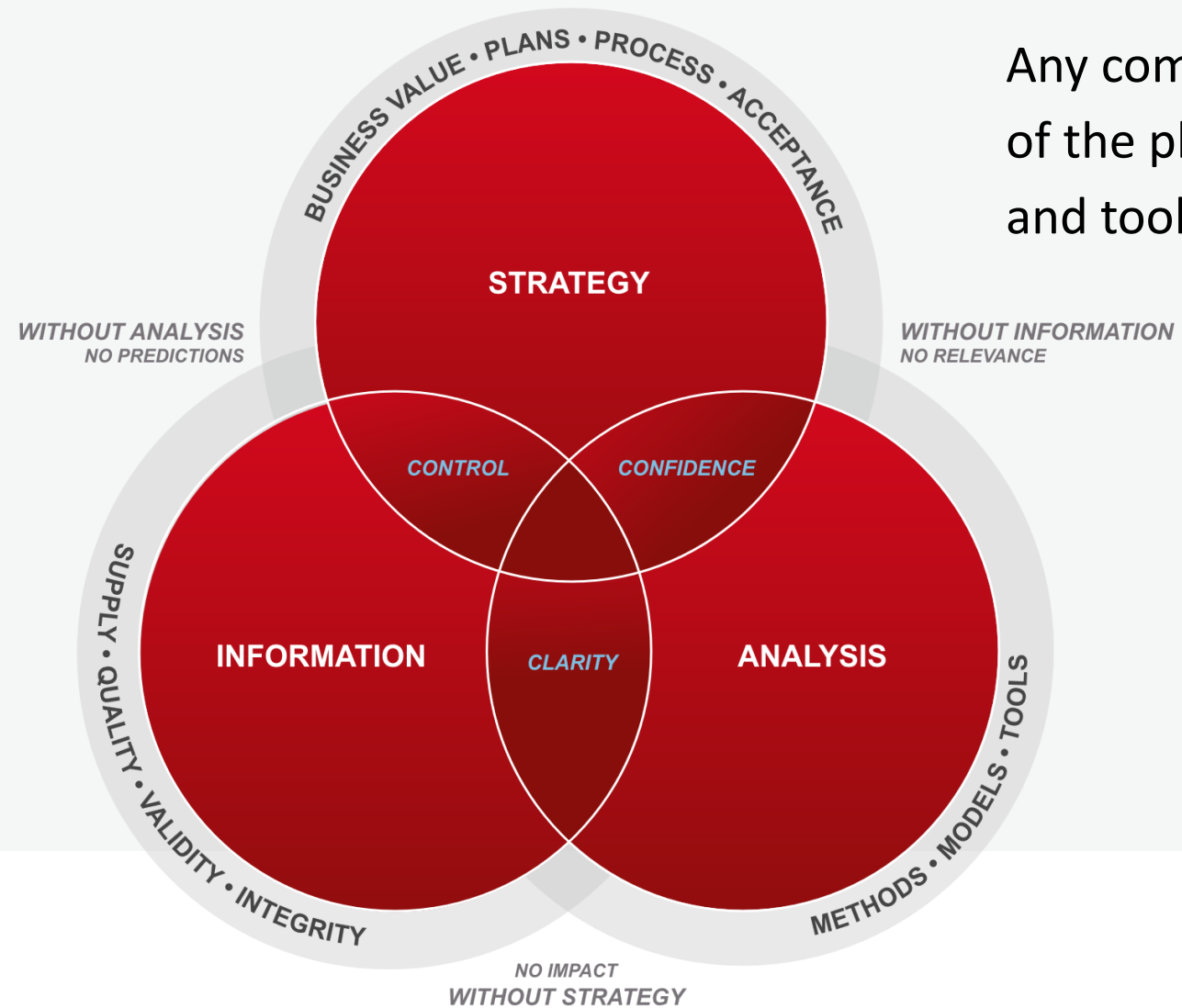
our skills



Analytical Life Cycle Management

Any complex plant/system requires a cost-effective management plan for the whole life cycle of the plant/system. Producing this plan requires the application of specific analysis methods and tools.

SeTeL, as the Value Added Reseller (VAR) for Italy of the Systecon Sweden Company (**Opus Suite – Life Cycle Management Software Systecon Group**), provides the customers with an Analytical LCM based upon the Opus Suite.

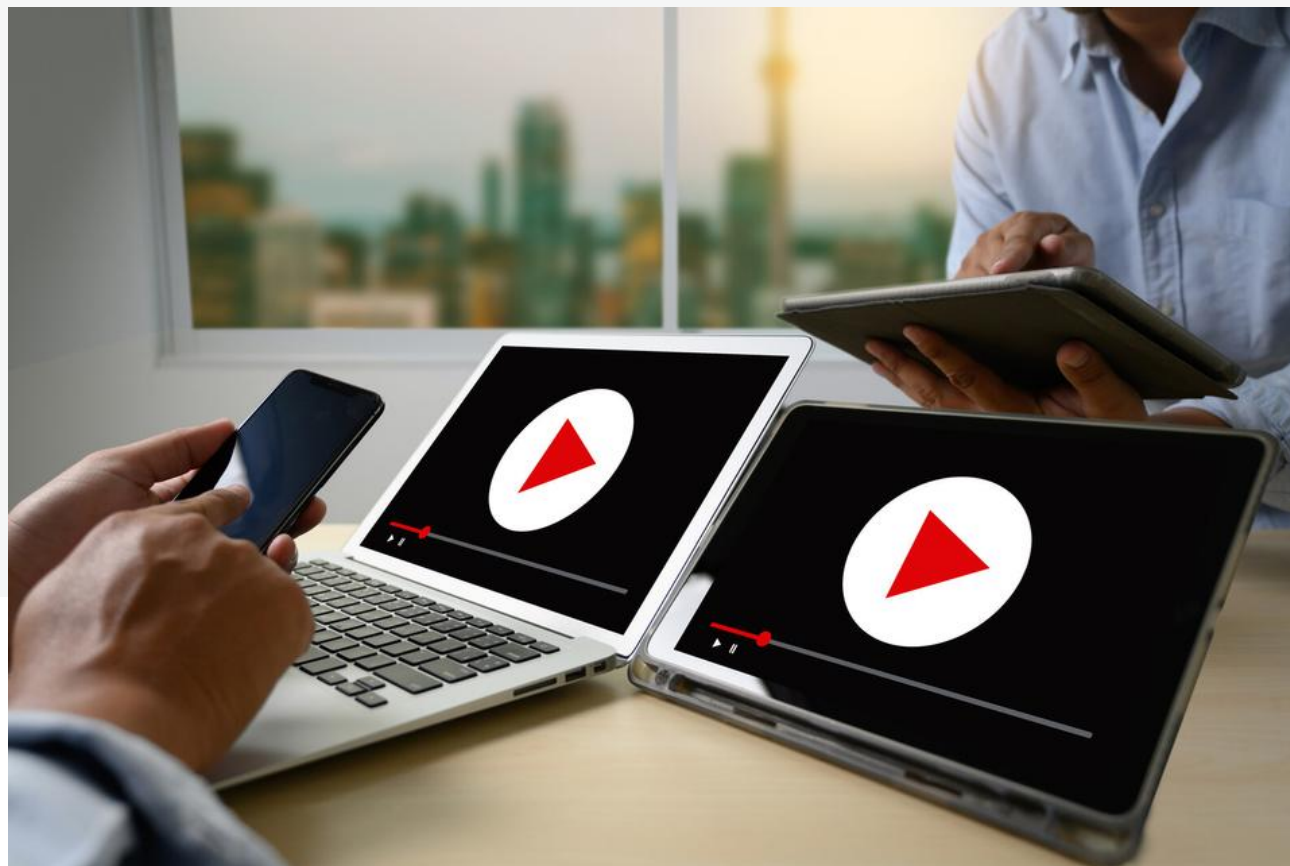




Technical Publications

SeTeL has a wide experience in the development of technical publications conformant with the most important international standards (S1000D, AECMA 2000M, ATA 100, NAV 70, TER G-001, AER.P, etc).

Over the years, our technical authors and writers have developed different typologies of technical documentation, e.g.:



- Multilevel Maintenance Manuals
- Operation Manuals
- Operator's Guide
- Operators Pocket Handbooks
- Illustrated Parts Catalogues
- Instructor's Guide
- Student Guide



Training – CBT – E-learning

In the education & training field, the Company offering is organized in two main groups of activities:



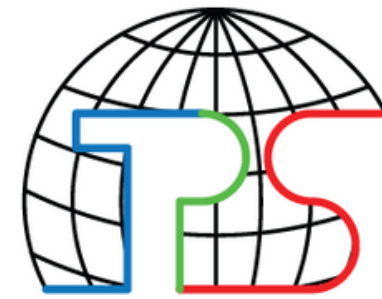
- development and delivery of traditional technical training processes – on customer complex systems – based on theoretical and hands-on courses
- development of “**Technology Based Education**” solutions, based on different types of application, such as Computer Based Training and Simulators, E-learning SCORM®, Mobile learning

our solutions

PRODUCTS



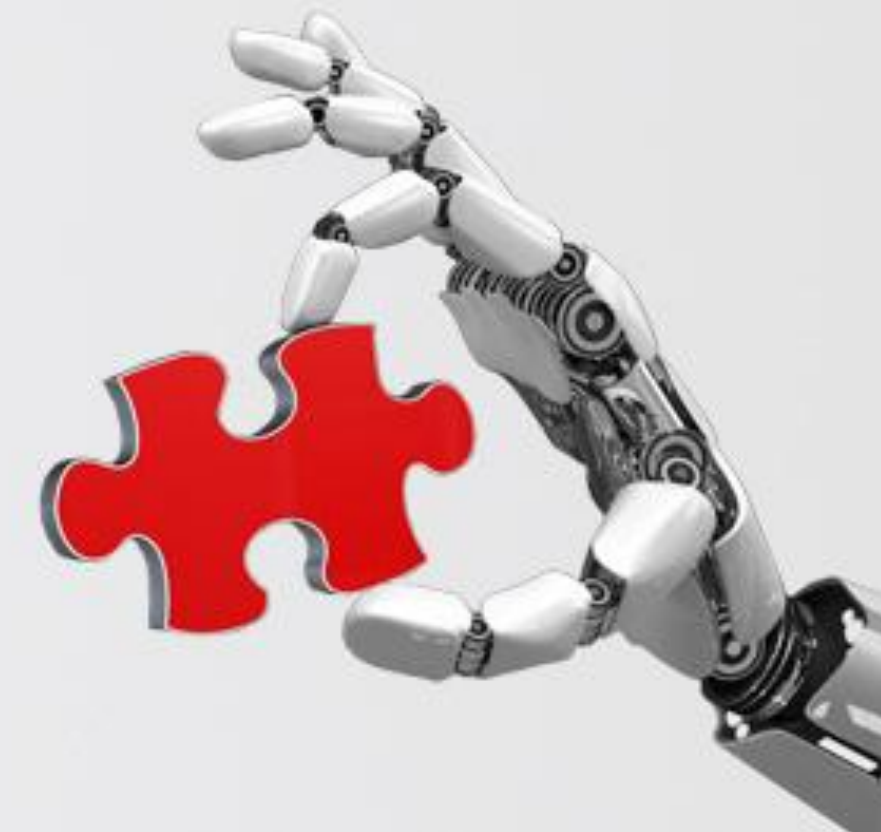
Enhanced Logistic
Integrated Support
Analyzer



Technical
Publication
System Suite



LCM
Management
Suite

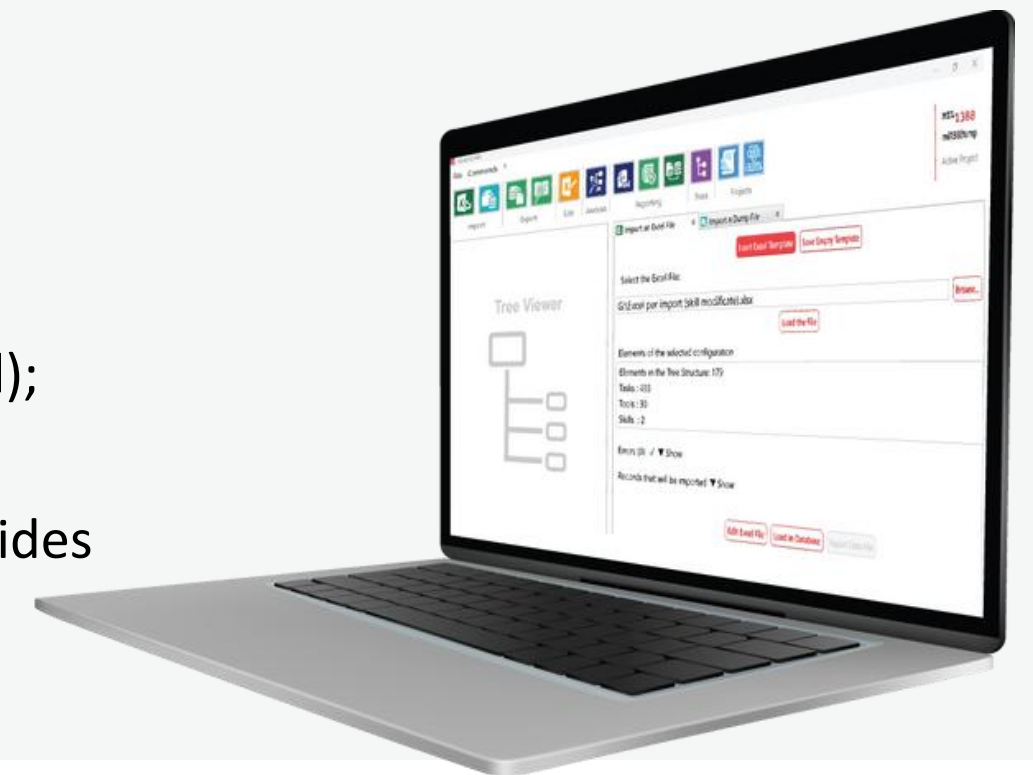


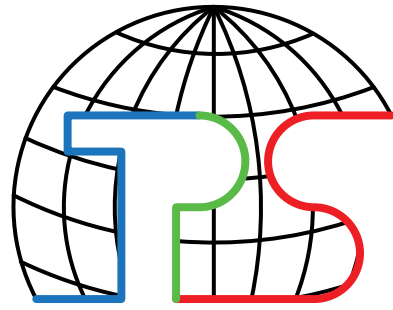


eLISA is an **ILS tool** which offers the user an integrated workspace to efficiently conduct **analysis** and **LSAR activities**.

LSAR MODULES

- LSAR Module (Data entry, reporting, project management, tree views, import & export);
- Reliability Module (Reliability Analysis, including RBC);
- Failure Related Analysis module (FMEA, FMECA, FTA, Detection);
- Project Conversion module (Project converter from MIL-STD-1388 standard to S3000L standard);
- Task Analysis Module (MTA);
- Simplified Data Entry Module (Module customised based on the user's preferences which provides a data entry template optimised on the specific needs);
- Coherence cross-check between S1000D Technical Publication and LSDB STD-1388/S3000L.





S1000D

The **Technical Publication System Suite** is an efficient tool to produce, manage and consult the **Interactive Electronic Technical Manuals** based on **S1000D**.

APPLICATIONS

- DMS (Document Management System)
- SGP (IETM/IETP web browsing)
- SGP LITE (IETM/IETP off-line browsing)
- SCORM package for TPS SCORM Player
- SCORM package for LMS



our solutions



Systecon's **Opus Suite** is the world leading toolset in **Analytical Life Cycle Management** and supports data driven decision making in all phases of a system's life cycle.

SeTeL is the Opus Suite **exclusive Italian VAR** (Value Added Reseller), providing to the users training courses and specialized consultancy.



OPUS10



SIMLOX



CATLOC



EVO



CONNECT



INSIGHTS



SeTeL

the market

MAIN CUSTOMERS

HITACHI
Inspire the Next



SeTeL

**Research &
Development**

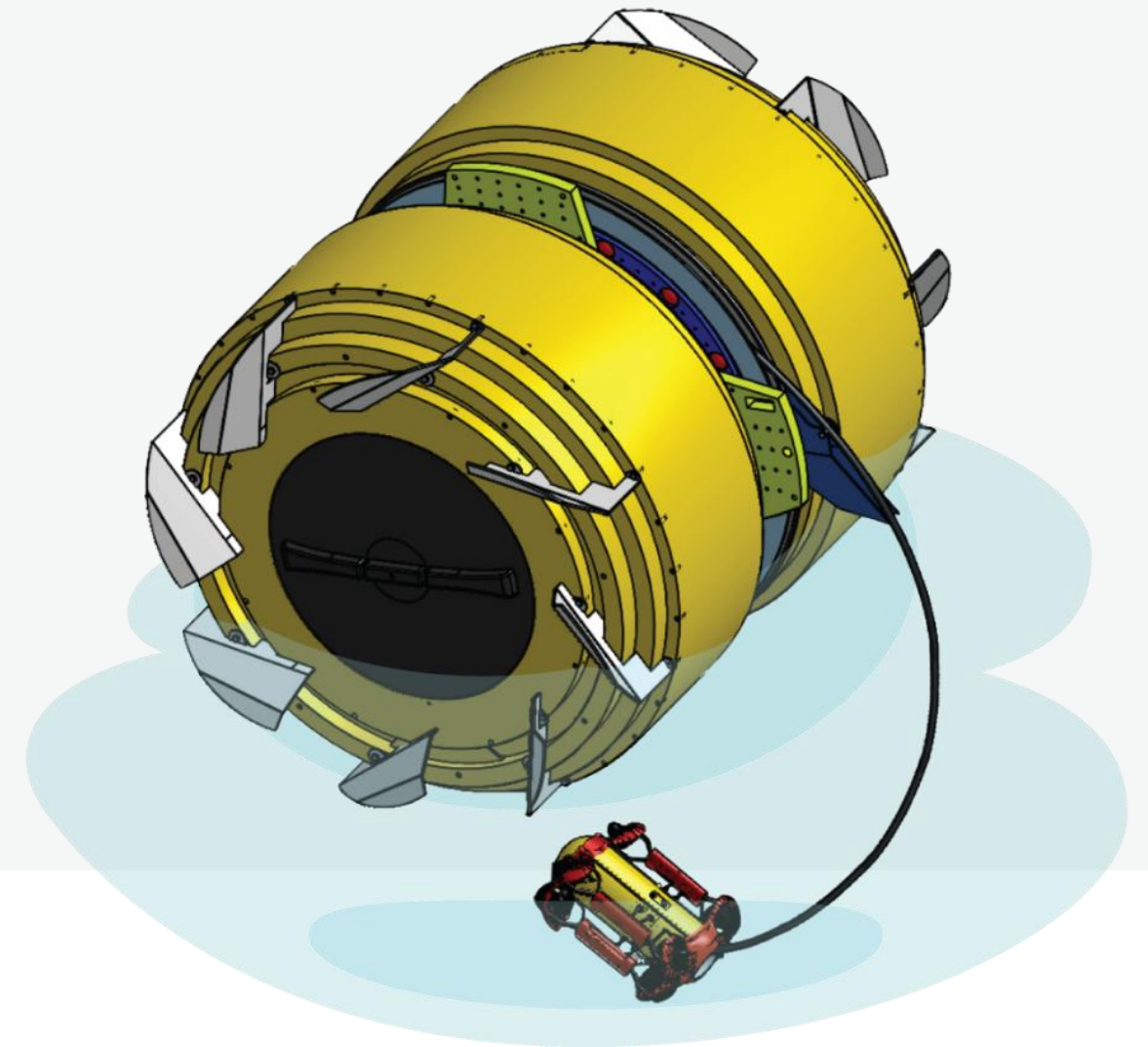
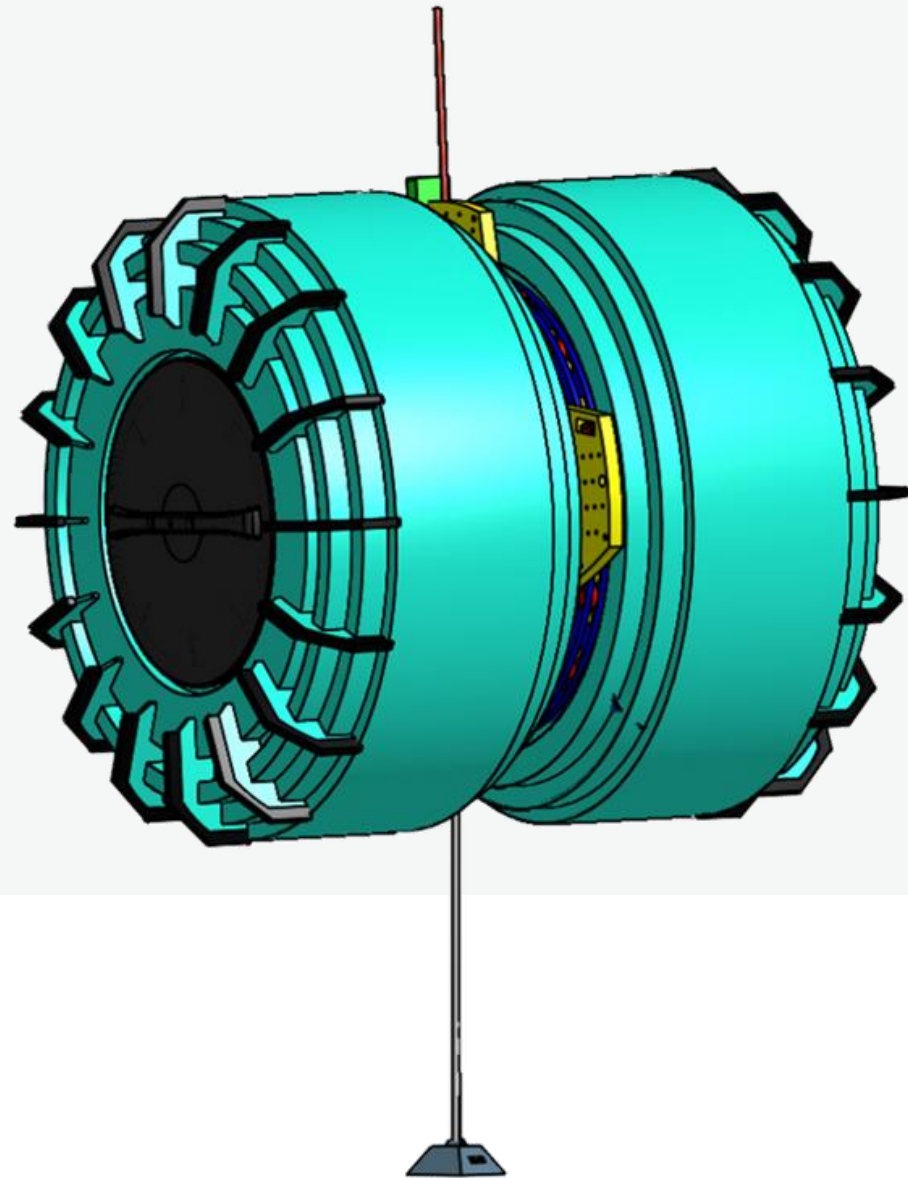
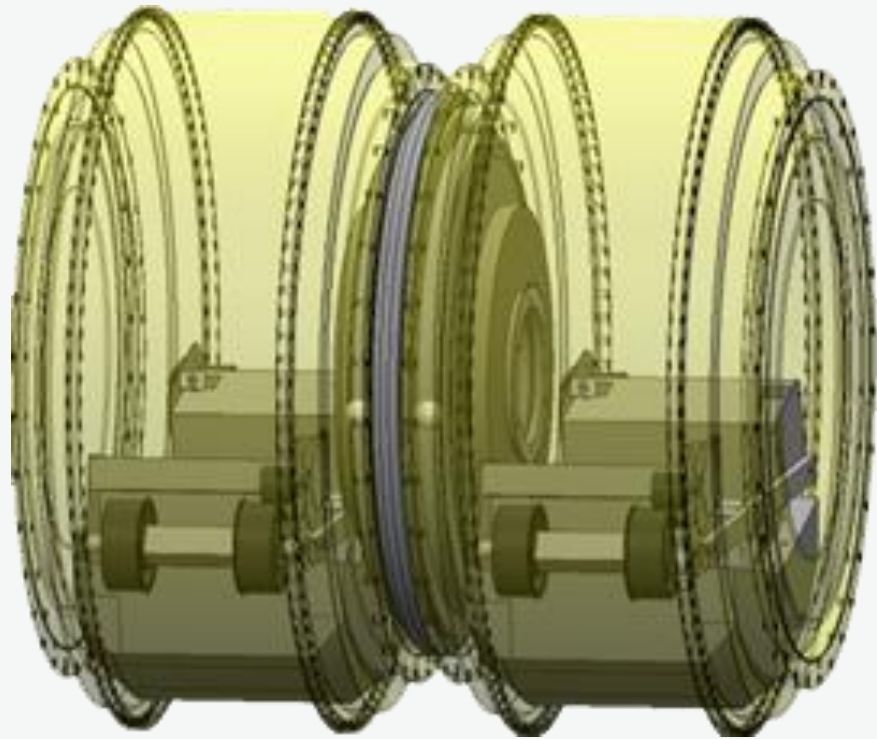
OUR PARTNERS



R&D MAIN PROJECTS



Sistema Integrato Intelligente
per la Gestione Innovativa e Sostenibile
di Ecosistemi Agro Ambientali



R&D MULTIPURPOSE AMPHIBIOUS ROVER (MAR)





Thank you for watching.

web setelgroup.com

e-mail setel@setelgroup.it

linkedin linkedin.com/company/setelsrl/